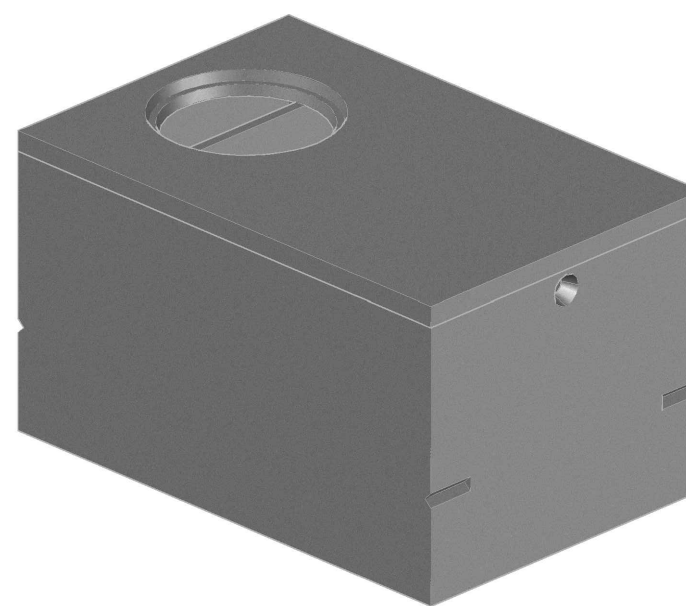
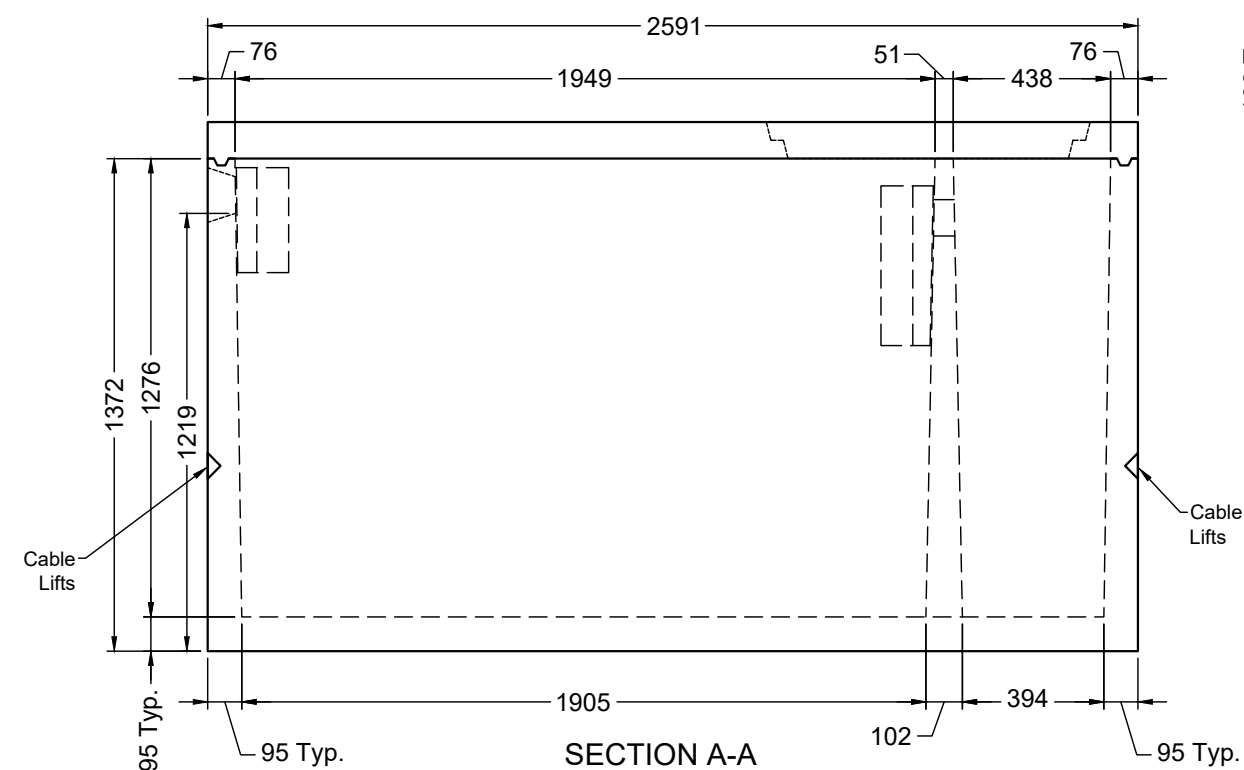


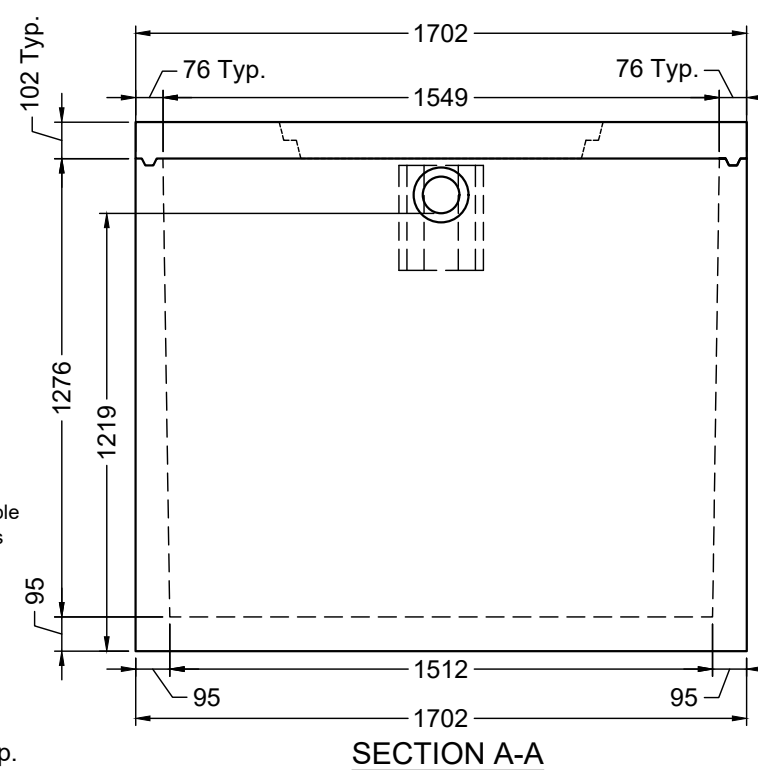
PLAN VIEW



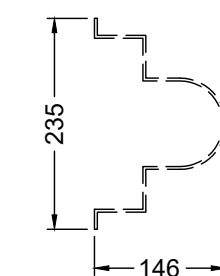
ISOMETRIC VIEW



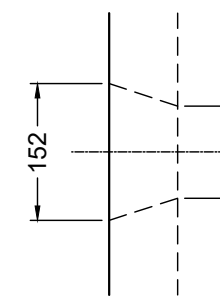
SECTION A-A



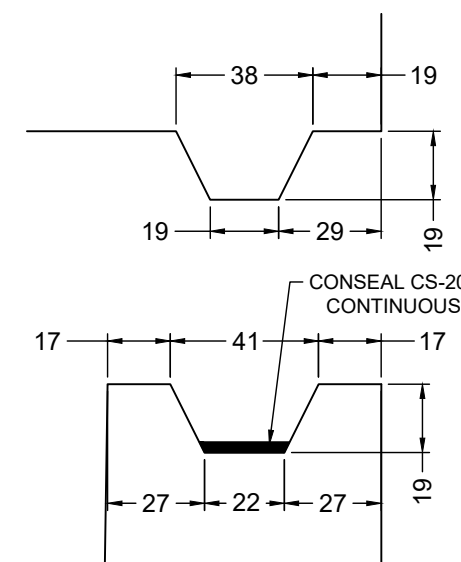
SECTION A-A



BAFFLE DETAIL



INLET DETAIL



CONNECTION DETAIL

NOTES:

- 1) CEMENT : PORTLAND CEMENT TYPE 50(HS)
- 2) Max AGGREGATE SIZE: 20mm
- 3) 28 DAY STRENGTH: MIN. 35 MPa.
- 4) ENTRAINED AIR: 6%±1%
- 5) REINFORCING TO CAN/CSA-G30.18 400 MPa
- 6) ALL UNITS ARE IN MILLIMETERS UNLESS OTHERWISE NOTED.

CONCRETE	RELEASE	MPa	20
	28 DAY:	MPa	35
	AIR CONTENT:		6% ± 1%
	WEIGHT: kg	5000	VOLUME m³
	TYPE:	kg/m³	2402
STRAND		mm	-
		MPa	-

MARK	DESCRIPTION	QTY.



DWG. NO.	REFERENCE	NO.:	REVISION DESCRIPTION	BY	APP'D	DATE	DRW BY	SWM	2018/11/23
-	-	A	ISSUED PLAN	-	-	2018/11/23	CH'K BY	-	-
-	-	-	-	-	-	-	AP'D BY	-	-
-	-	-	-	-	-	-	AP'D BY	-	-
-	-	-	-	-	-	-	SCALE: NTS	PAGE: 1 OF 1	

TITLE:	840 Gallon Septic Tank DETAIL DRAWING	
PROJECT NO.:		JOB NO.:
DRAWING NO.:	SVI-ST-840-01A	