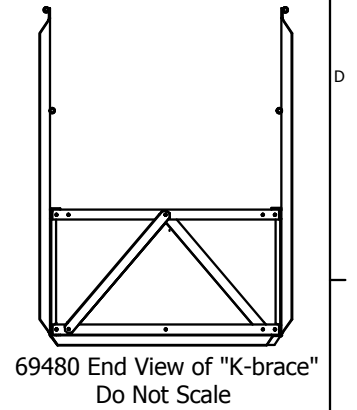


Manwalk can be placed on either side of conveyor.



69480 End View of "K-brace"
Do Not Scale

69480 Conveyor Support

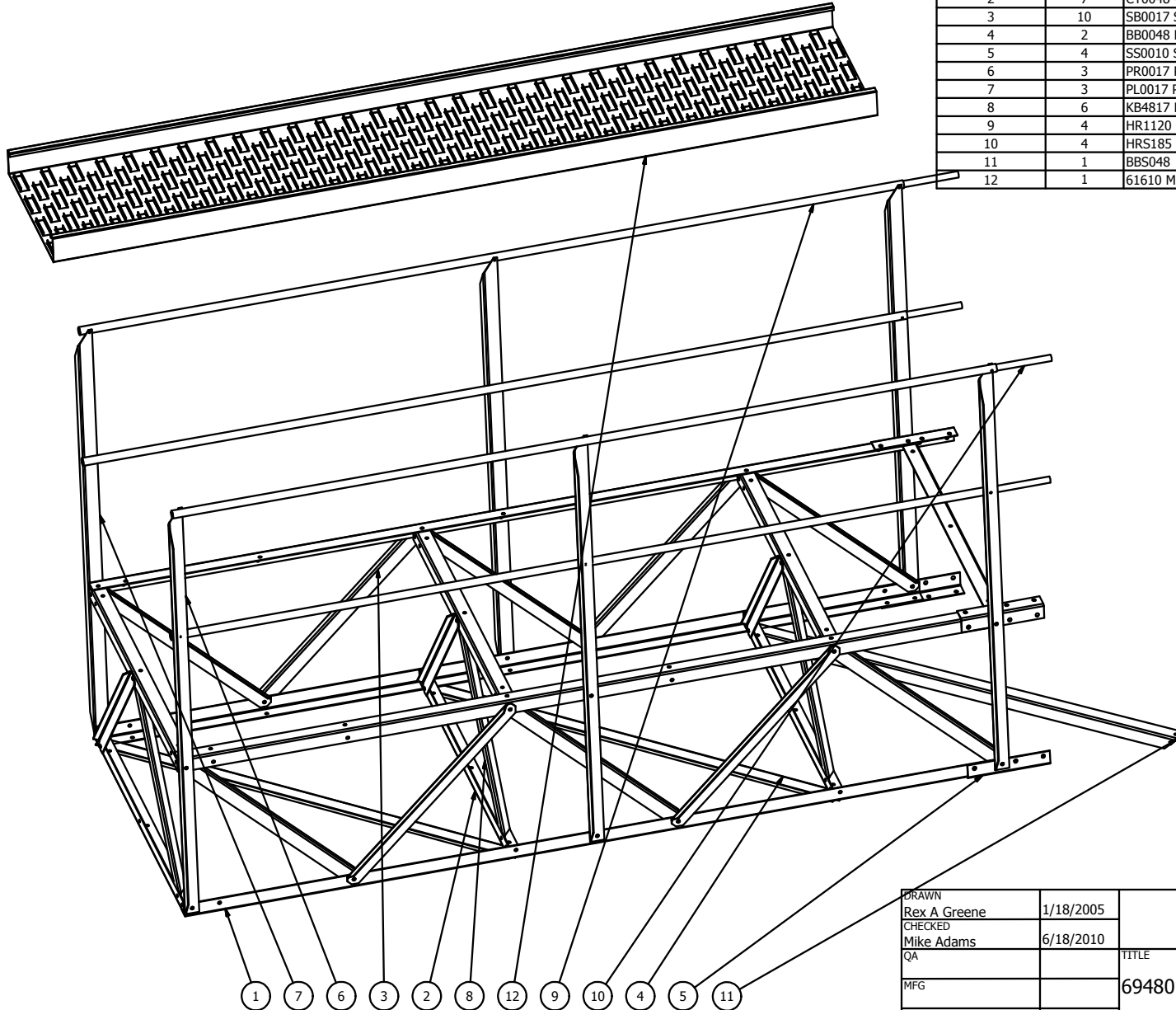
Make sure on both sides the Siderail Braces form W's
 On bottom the Bottom Brace form Z's.
 On 48" Conveyor Support the K-Braces form and inverted V when looking from end.
 On 42" and 36" Conveyor Support the Tie Braces alternate to form X's when looking from the end.

Use Hardware provided DO NOT Substitute
 7/16 x 1 grade 5 bolts
 7/16 whiz nuts
 stitch screw for handrails
 tech screws for mounting manwalk to support
 Hold sections straight when tightening.
DO NOT drill holes out. This will allow support to sag and reduce strength.



DRAWN Rex A Greene	1/18/2005	Greene Galvanized Stairs 217/375/4244 www.greeneinstairs.com	
CHECKED Mike Adams	6/18/2010	TITLE 69480 Instructions	
QA		SIZE C	DWG NO 69480
MFG		SCALE NA	REV 06182010
APPROVED		SHEET 1 OF 4	

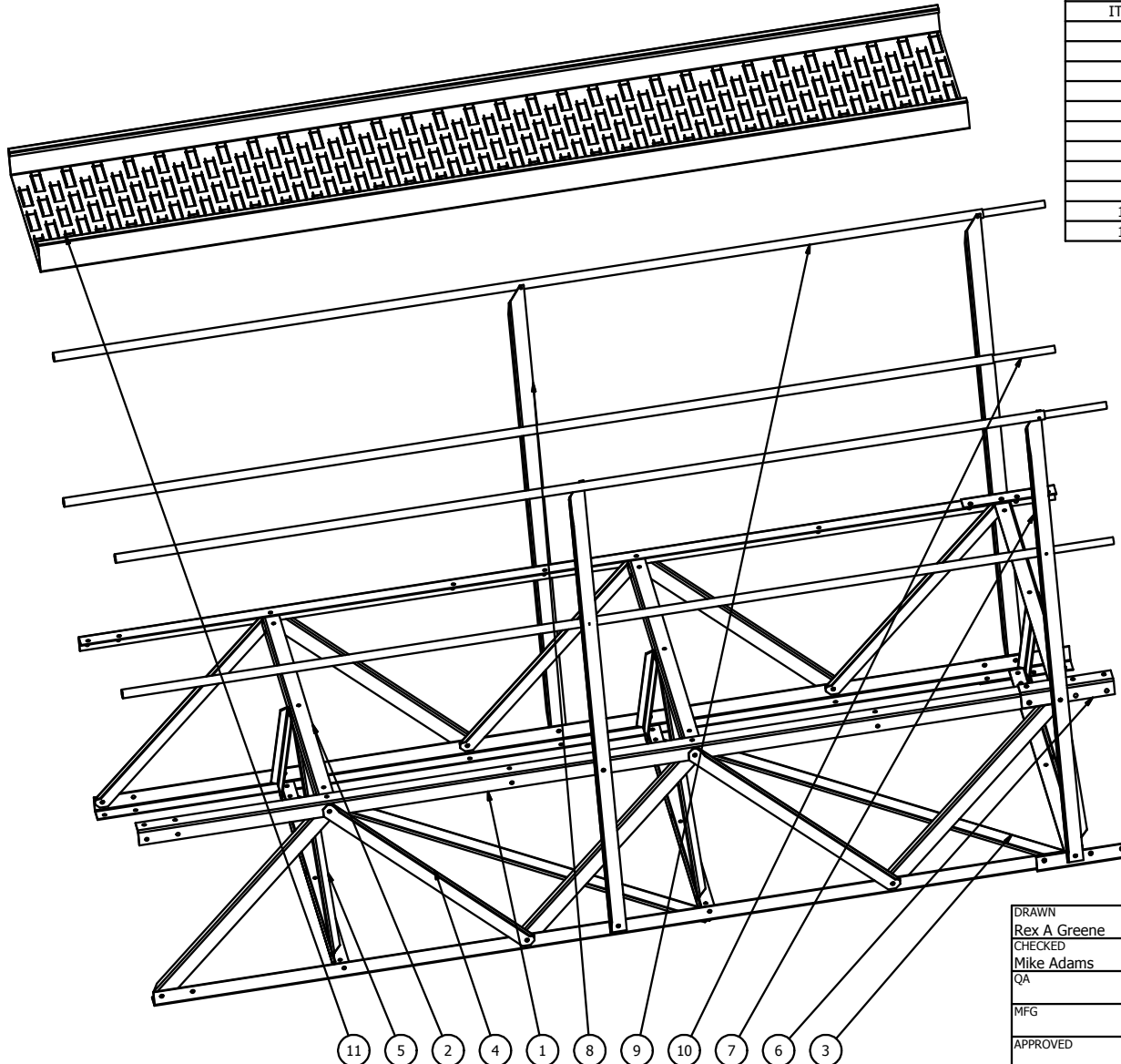
69480 Starter Section



Parts List			
ITEM	QTY	PART NUMBER	DESCRIPTION
1	4	SR1010 Siderail	
2	7	CT0048 48 cross tie	
3	10	SB0017 Side Brace17	
4	2	BB0048 Bottom Brace 48	
5	4	SS0010 Siderail Splice	
6	3	PR0017 Post right 17	
7	3	PL0017 Post left 17	
8	6	KB4817 K brace 48 17	
9	4	HR1120 Handrail 120	
10	4	HRS185 Handrail splice	
11	1	BBS048	
12	1	61610 Manwalk	

DRAWN Rex A Greene	1/18/2005	Greene Galvanized Stairs 217/375/4244 www.greenebinstairs.com	
CHECKED Mike Adams	6/18/2010	TITLE	
QA		69480 Instructions	
MFG		SIZE C	DWG NO 69480
APPROVED		SCALE NA	REV 06182010
		SHEET 2 OF 4	

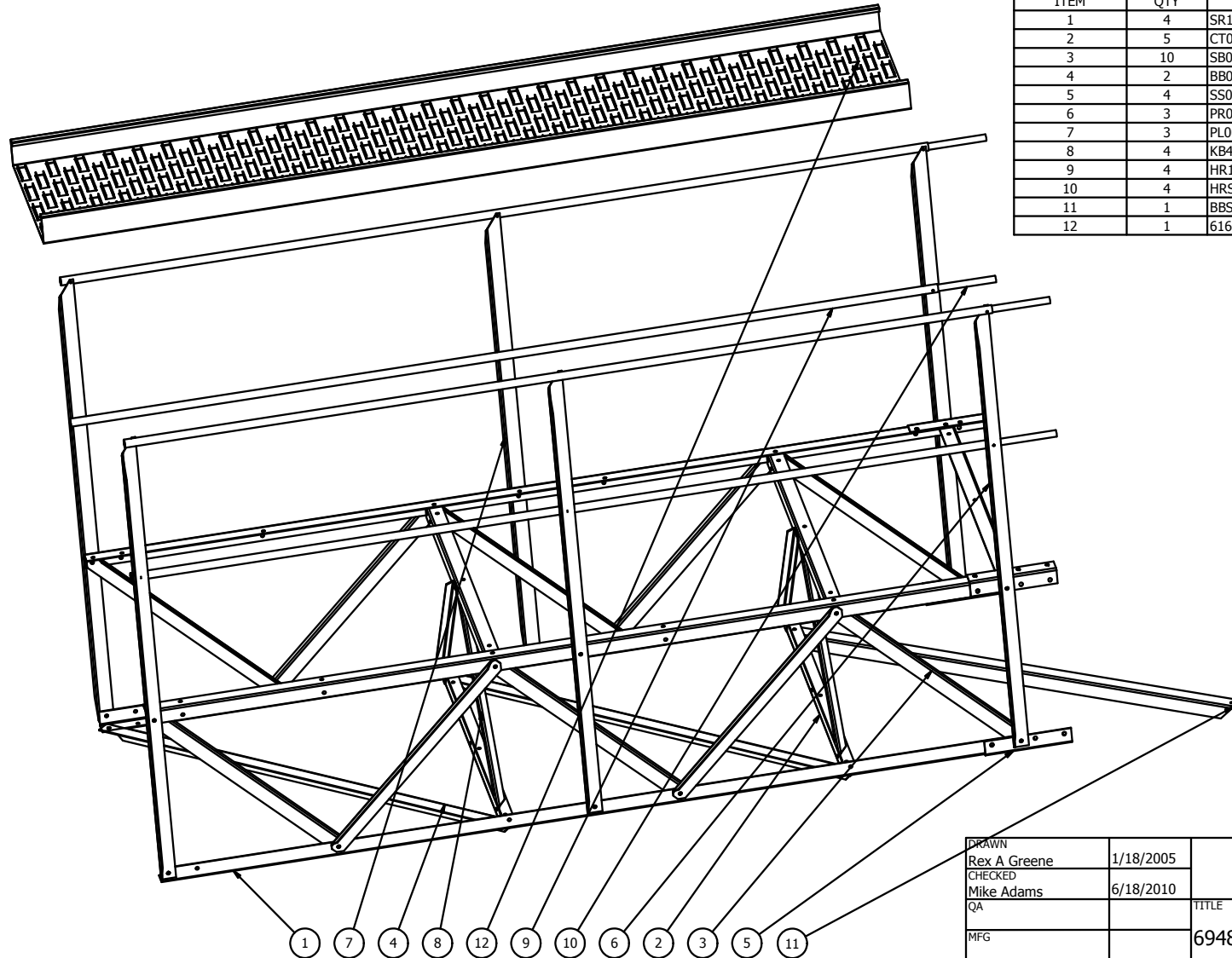
69480 Even sections



Parts List			
ITEM	QTY	PART NUMBER	DESCRIPTION
1	4	SR1010 Siderail	
2	6	CT0048 48 cross tie	
3	2	BB0048 Bottom Brace 48	
4	10	SB0017 Side Brace 17	
5	6	KB4817 K brace 48 17	
6	4	SS0010 Siderail Slice	
7	2	PR0017 Post right 17	
8	2	PL0017 Post left 17	
9	4	HR1120	
10	4	HRS185 Handrail splice	
11	1	61610 Manwalk	

DRAWN Rex A Greene	1/18/2005	Greene Galvanized Stairs 217/375/4244 www.greenebinstairs.com	
CHECKED Mike Adams	6/18/2010	TITLE 69480 Instructions	
QA		SIZE C	REV 06182010
MFG		DWG NO 69480	
APPROVED		SCALE NA	SHEET 3 OF 4

69480 Odd Sections



Parts List			
ITEM	QTY	PART NUMBER	DESCRIPTION
1	4	SR1010 Siderail	
2	5	CT0048 48 cross tie	
3	10	SB0017 Side Brace 17	
4	2	BB0048 Bottom Brace 48	
5	4	SS0010 Siderail splice	
6	3	PR0017 Post right 17	
7	3	PL0017 Post left 17	
8	4	KB4817 K brace 48 17	
9	4	HR1120 Handrail 120	
10	4	HRS185 Handrail splice	
11	1	BBS048	
12	1	61610 Manwalk	

DRAWN Rex A Greene	1/18/2005	Greene Galvanized Stairs 217/375/4244 www.greenebinstairs.com	
CHECKED Mike Adams	6/18/2010	TITLE	
QA		69480 Instructions	
MFG			
APPROVED			
	SIZE C	DWG NO 69480	REV 06182010
	SCALE NA	SHEET 4 OF 4	