

5-91-RP-500-202

## ALPHABETICAL INDEX

### TRACTOR SECTION

	Page	Grid
Chassis And Hood .....	5-7	A6-A8
Customer Assembly .....	27	B14
Decals .....	25	B12
Electrical Assembly .....	23	B10
Engine and Control Assembly .....	17	B4
Final Deck Assembly .....	21	B8
Motion Drive Assembly .....	11-13	A12-A14
Mower Suspension Assembly .....	9	A10
Pre-Painted Deck Assembly .....	19	B6
Steering Assembly .....	15	B2
Transaxle Assembly .....	29	C2

### ENGINE SECTION

Block, Engine .....	31	C4
Carburetor .....	35	C8
Counterweight .....	33	C6
Flywheel and Stator .....	33	C6
Governor .....	37	C10
Oil Filler .....	37	C10
Starter .....	39	C12

## GENERAL INFORMATION

### INDEX

There is an index at the front and rear of this catalog.

The front index is an alphabetical index of the major groups or assemblies.

The rear index is a numerical index of the part numbers and pages on which these numbers are shown.

### ILLUSTRATION

Each illustration in this catalog shows a group of parts or components. These parts and components are aligned approximately as the parts and components on your machine. Each part and component in an illustration has a reference number. These reference numbers are in a list on the page opposite of the illustration. Next to the reference number is the part number, description and required quantity of the part shown in the illustration.

UAR - "Use as required" indicates that the part quantity is variable.

NSS - "Not sold separately" indicates that the part is only available as a component of an assembly or the part must be purchased locally. If the part is an assembly component, the description will be indented under the assembly description in the parts list.

O/L - "Obtain locally"

\*\* - "Footnotes" are added to a part number when more information is needed for identification. They only relate to the part numbers indicated.

### PARTS ORDERS

All orders must include the following information:

1. Correct part number.
2. Complete description of part or component.
3. Total quantity of each part or component.
4. Product model number.
5. All necessary product identification numbers.
6. Method for sending the parts.
7. Complete and correct address.

### CATALOG REVISIONS

As the product changes, new pages will be available for your catalog. A notice will be issued.

**IMPORTANT:** Put all revisions into the catalog as soon as possible.

### RIGHT HAND AND LEFT HAND IDENTIFICATION

The words right hand (RH) and left hand (LH) as used in this catalog indicate the direction while you are in the operator's seat in the normal operating position.

### INDENTED DESCRIPTIONS

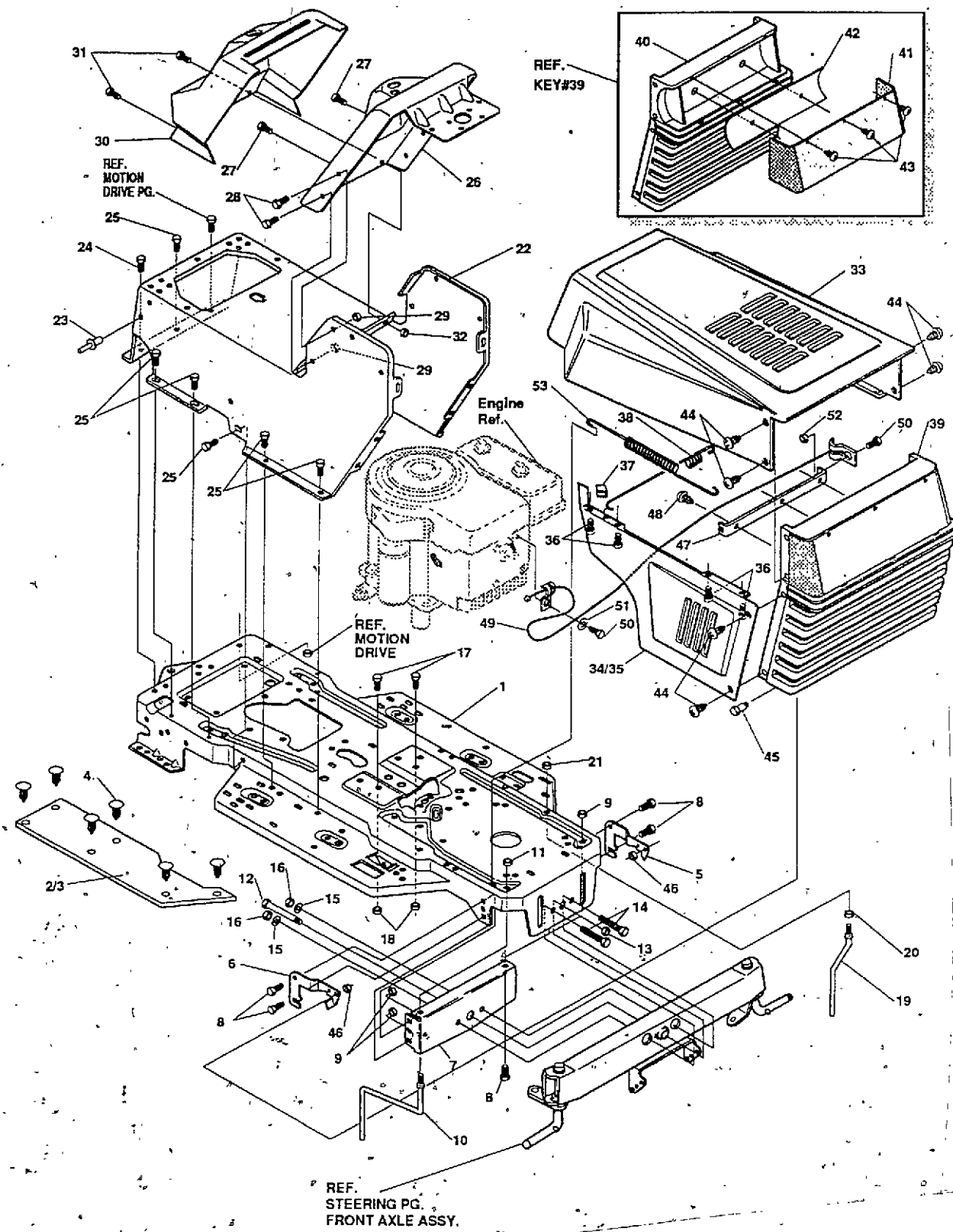
An assembly can have many components. The components of an assembly are indicated by an indented description. The quantity for an indented part is the total needed for that complete assembly. See the example.

REF.	PART NO.	DESCRIPTION	REQ'D
	C 55159	CYLINDER ASSY - rear steering .....	1
28	C 56208	SOCKET ASSY - rear cylinder .....	1
29	C 55956	PLUG - adjusting, socket assy .....	1
30	C 55957	SEAT - socket ball .....	2
31	C 56210	SPRING - socket .....	1
32	C 56209	SEAT - socket spring .....	1
33	G 45175	CLAMP ASSY - socket assy .....	1
	16- 836	BOLT - 1/2" x 2-1/4", N.F. hex .....	1
34	132- 104	PIN - cotter, 3/16" x 3" .....	1
35	C 55889	STUD - ball, socket & cylinder .....	2
36	13- 410	BOLT - 1/4" x 5/8" N.C., hex .....	4
37	92- 4	LOCK WASHER - 1/4" SAE .....	4

# INGERSOLL

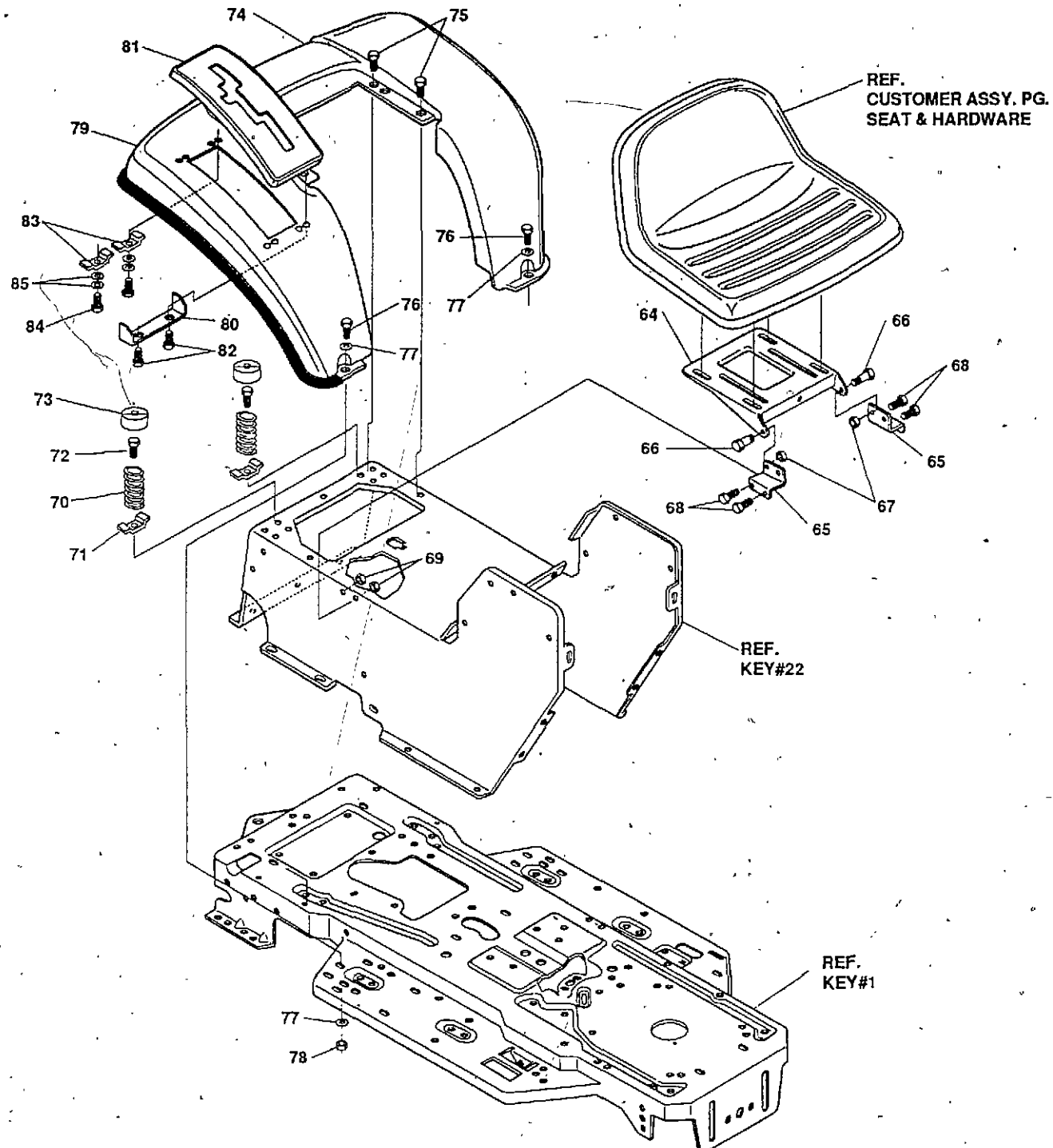
Ingersoll Equipment Co., Inc.

CHASSIS AND HOOD ASSEMBLY



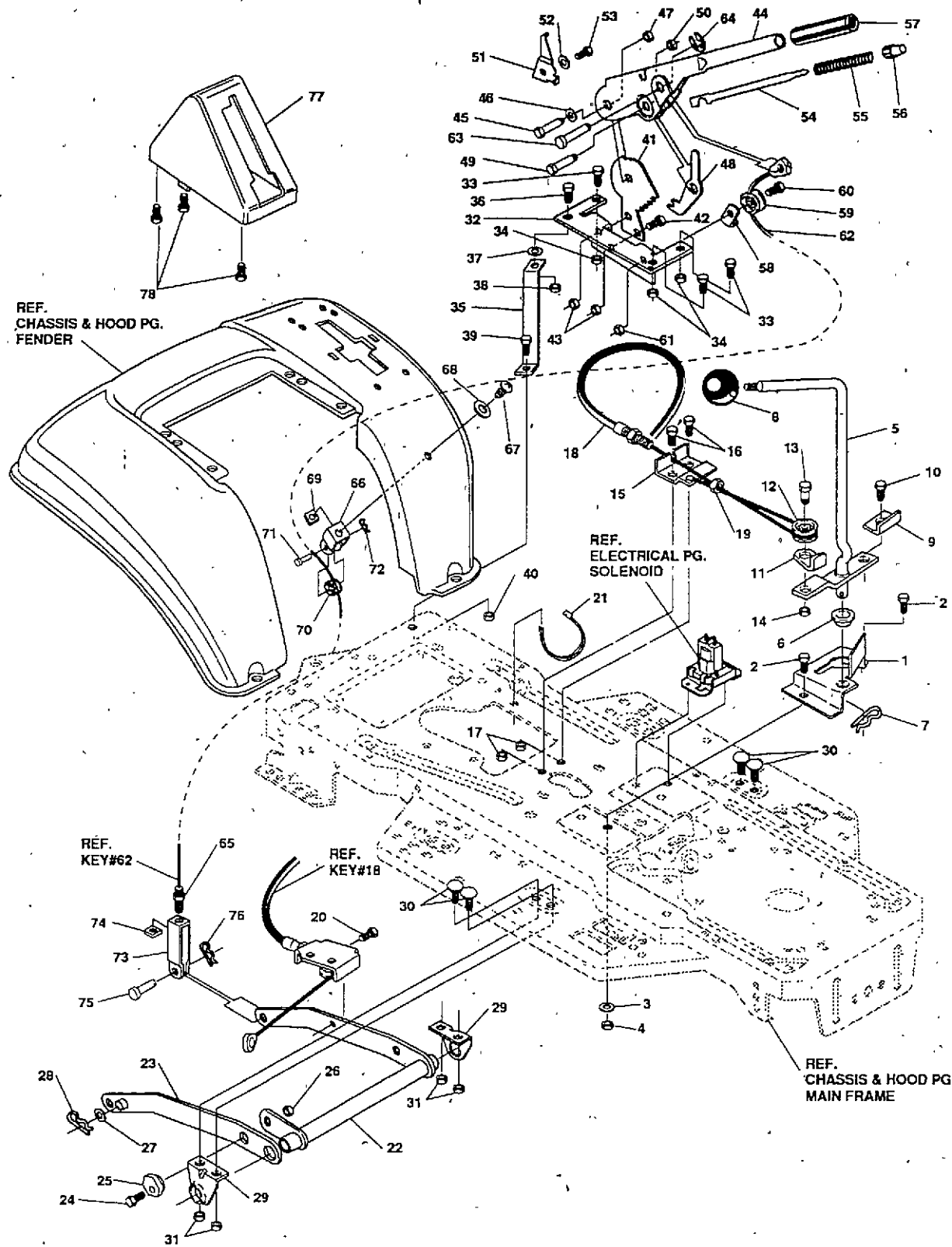
key#	part#	description	qty.
1	C35064	FRAME, MAIN	1
2	C35065	FOOTPAD,LH	1
3	C35066	FOOTPAD,RH	1
4	C35067	FASTENER, RATCHET	12
5	C35068	BRKT.GRILLE, L.H.	1
6	C35069	BRKT GRILLE R.H.	1
7	C35070	BRACKET, FRONT AXLE	1
8	C35071	SCREW, 5/16-18X.75WDFLLK	5
9	C35072	NUT, 5/16-18 HXWDFLLK	5
10	C35073	GUIDE, BELT, RIDER	1
11	C34798	NUT, 5/16-18 REGHEXCTRLK	1
12	C35374	BOLT, .625X2.180 HSSH	1
13	C35375	NUT, 1/2-13 REGHCTRLK	1
14	C35076	SCREW, 3/8-16X3.00 HHC	2
15	C34997	WASHER, .39IDX1.25DX.07 BELLVIL	2
16	C34814	NUT, 3/8-16 REGHEXCTRLK	2
17	C34817	SCREW, 5/16-18X .88 HHC	2
18	C34798	NUT, 5/16-18 REGHEXCTRLK	2
19	C35077	GUIDE,SHORT BELT RIDER	1
20	C35078	NUT, 5/16-18 HEXJAM	1
21	C35079	NUT, 3/8-16 HEXKEPS	1
22	C35080	CONSOLE	1
23	C35081	RIVET, POP .187DIAx .450LG	1
24	C34848	SCREW, 5/16-18X .50 WAHTAP	1
25	C34794	SCREW, 1/4-20X .50 WAHTAP	12
26	C35082	DASH	1
27	C34794	SCREW, 1/4-20X .50 WAHTAP	2
28	C34834	SCREW, 1/4-20X .63 HHWATAP	4
29	C35083	NUT, 1/4-20 WDFLLK TOPLOCK	4
30	C35377	DASH, NO GRAPHICS SUS	1
31	C34834	SCREW, 1/4-20X .63 HHWATAP	2
32	C35083	NUT, 1/4-20 WDFLLK TOPLOCK	2
33	C35379	HOOD	1
34	C35087	PANEL,SIDE,HOOD,LH	1
35	C35088	PANEL,SIDE,HOOD,RH	1
36	C35089	SCREW, 10-16X .50 WAHTAP	8
37	C35090	CLIP, U-TYPE, TINNEMAN	2
38	C35091	SPRING, HOOD SINGLE CYL	1
39	C35095	ASSY,GRILLE	1
40	C35096	GRILLE	1
41	C35097	LENS	1
42	C35098	DECAL, REFLECTOR,GRILL	1
43	C35380	SCREW, #6 X .50 PLASTITE	3
44	C35100	SCREW, 1/4-10X .75PHPNTAP	8
45	C35101	BOLT, .375X .500 HSSH 5/16-18	2
46	C34798	NUT, 5/16-18 REGHEXCTRLK	2
47	C35102	BRACKET GRILLE	1
48	C35100	SCREW, 1/4-10X .75PHPNTAP	3
49	C35381	LANYARD,HOOD	1
50	C35243	SCREW, 1/4-20X .62 HHC	2
51	C35568	WASHER, REGSPTLK.263X.49X.07	1
52	C34806	NUT, 1/4-20 REGHEXCTRLK	1
53	C35382	SPRING, HOOD LATCH	1

## CHASSIS AND HOOD ASSEMBLY



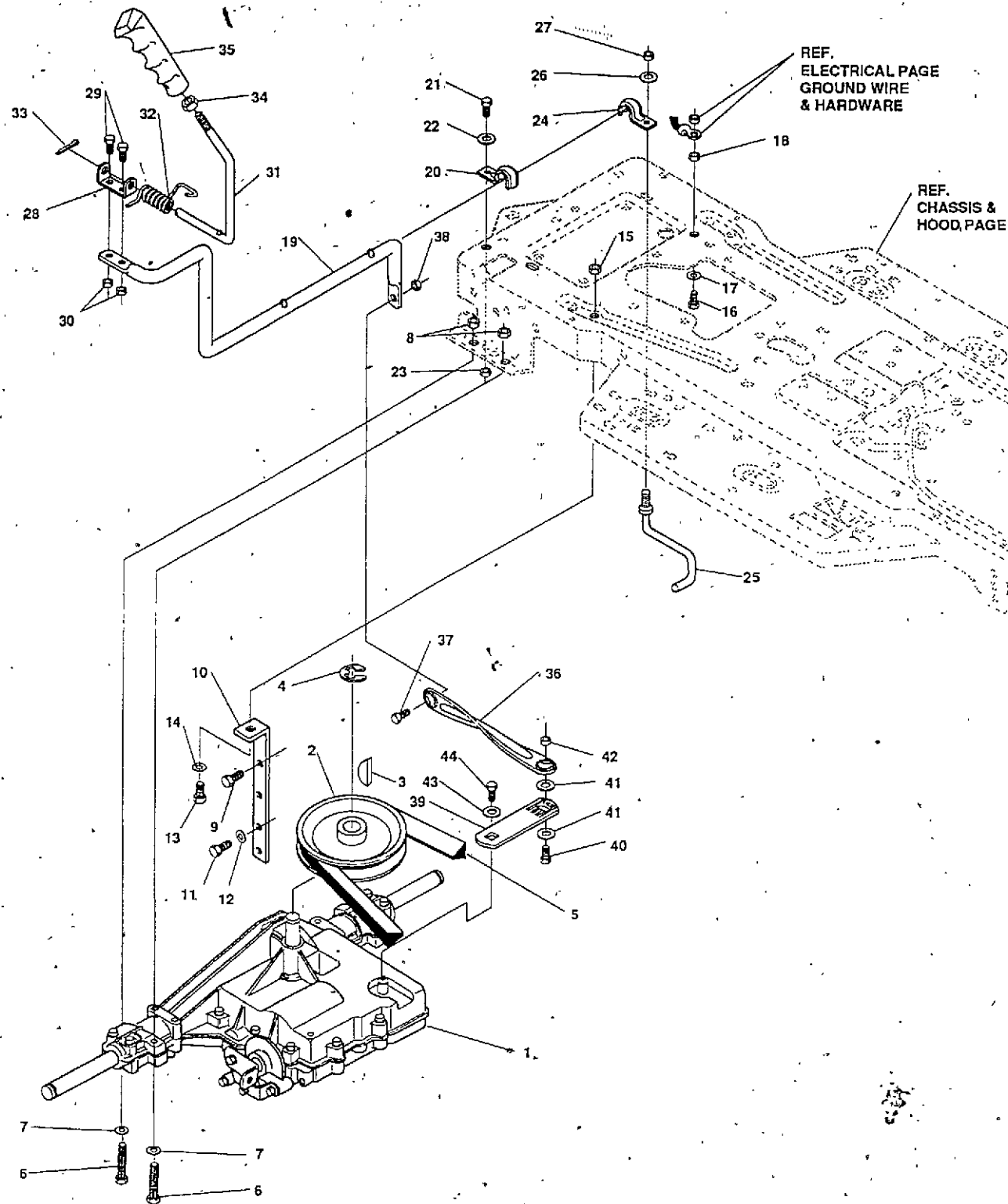
key#	part#	description	qty.
64	C35550	PLATE, SEAT	1
65	C35115	BRACKET, SEAT SUPPORT	2
66	C34816	BOLT, .437X .156 HSSH 5/16-18	2
67	C34798	NUT, 5/16-18 REGHEXCTRLK	2
68	C34796	SCREW, 5/16-18X .63 HHC	4
69	C34798	NUT, 5/16-18 REGHEXCTRLK	4
70	C35112	SPRING, SEAT 2.63LG, 1.49OD	2
71	C35113	CLAMP, SPRING 1.17"ID	2
72	C34808	SCREW, 1/4-20X .75 HXWATAP	2
73	C35114	COVER, SEAT SPRING 1.51DX1.0LG	2
74	C35551	FENDER	1
75	C34794	SCREW, 1/4-20X .50 WAHHTAP	4
76	C34802	SCREW, 5/16-18X1.00 HHC	2
77	C35116	WASHER, FLAT .375X .88X.082	4
78	C34798	NUT, 5/16-18 REGHEXCTRLK	2
79	C35117	TRIM, STRIP, BLACK	77.5"
80	C35118	BRKT COVER FENDER SHIFT	1
81	C35119	COVER PLASTIC FOOTE 4360-6	1
82	C35120	SCREW, 1/4-15X.44/.53 HILOHWA	2
83	C35113	CLAMP, SPRING 1.17"ID	2
84	C35120	SCREW, 1/4-15X.44/.53 HILOHWA	2
85	C35122	WASHER, FLAT .281X .63X.065	4

**MOWER SUSPENSION ASSEMBLY**



key#	part#	description	qty.
1	C35123	BRACKET, CLUTCH ENGAGE LEVER	1
2	C35124	SCREW, 5/16-18X1.00 HHC	2
3	C34878	WASHER, FLAT .344X.69X.065	2
4	C34798	NUT, 5/16-18 REGHEXCTRLK	2
5	C35125	ASSY, CLUTCH LEVER	1
6	C35128	BEARING, FL. .503ID X.628OD	1
7	C34908	PIN, HAIR .091 DIA X1.66LG	1
8	C35053	SHIFT KNOB	1
9	C35127	BRACKET, SWITCH ENGAGE	1
10	C34800	SCREW, 5/16-18X.75 WAHTAP	1
11	C35128	BRKT, CABLE RETAINER	1
12	C35129	PULLEY, .906X.305 NYLON	1
13	C35130	BOLT, .375X.375 HSSH 1/4-20	1
14	C34806	NUT, 1/4-20 REGHEXCTRLK	1
15	C35131	BRKT, FRAME CABLE	1
16	C35132	SCREW, 1/4-20X.75 HHC	2
17	C34808	NUT, 1/4-20 REGHEXCTRLK	2
18	C35133	ASSY, CABLE, BLADE ENGAGE	1
19	C35134	NUT, 1/4-20 HJAM	1
20	C34800	SCREW, 5/16-18X.75 WAHTAP	1
21	C35334	TIE, CABLE BLACK NYLON	1
22	C35388	ASSY, REAR LIFT	1
23	C35137	ASSY, LINK, RIGHT SIDE	1
24	C35124	SCREW, 5/16-18X1.00 HHC	1
25	C35139	ADJUSTING NUT	1
26	C34798	NUT, 5/16-18 REGHEXCTRLK	1
27	C34892	WASHER, FLAT .531X1.06X.095	2
28	C34908	PIN, HAIR .091 DIA X1.66LG	2
29	C35140	BRKT, REAR, HANG, SUSP.	2
30	C34857	BOLT, 5/16-18X.63 CARR	4
31	C34798	NUT, 5/16-18 REGHEXCTRLK	4
32	C35141	BRACKET, HGT/ADJUST SUPPORT	1
33	C35006	SCREW, 5/16-18X.75 HHC	3
34	C34798	NUT, 5/16-18 REGHEXCTRLK	3
35	C35111	BRACE, FENDER F-5 SUS	1
36	C35124	SCREW, 5/16-18X1.00 HHC	1
37	C34899	WASHER, FLAT .333X.37X.119	1
38	C34798	NUT, 5/16-18 REGHEXCTRLK	1
39	C35124	SCREW, 5/16-18X1.00 HHC	1
40	C34798	NUT, 5/16-18 REGHEXCTRLK	1
41	C35143	QUADRANT, HEIGHT ADJUST	1
42	C35006	SCREW, 5/16-18X.75 HHC	2
43	C34798	NUT, 5/16-18 REGHEXCTRLK	2
44	C35144	HANDLE, LIFT SHORT, BLK	1
45	C35145	BOLT, .500X.270 HSSH 5/16-18	1
46	C35146	WASHER, FLAT .506X.75X.024	1
47	C34960	NUT, 5/16-18 HWDFLCTRLK	1
48	C35147	PAWL, HEIGHT ADJUST	1
49	C35145	BOLT, .500X.270 HSSH 5/16-18	1
50	C34960	NUT, 5/16-18 HWDFLCTRLK	1
51	C35148	POINTER Z-PL	1
52	C35149	WASHER, EXLK .195X.41X.03	1
53	C34968	SCREW, #8-32X.38 HHWAT	1
54	C35150	ROD, ACTUATOR-SHORT	1
55	C35151	SPRING, HEIGHT ADJUST	1
56	C35152	KNOB, HGT ADJ PUSH BUTTON	1
57	C35153	GRIP, .750 OD W/ HOLE	1
58	C35154	BRKT, CABLE RETAIN	1
59	C35129	PULLEY, .906X.305 NYLON	1
60	C35130	BOLT, .375X.375 HSSH 1/4-20	1
61	C34806	NUT, 1/4-20 REGHEXCTRLK	1
62	C34823	CABLE, LIFT 21.70 F-5 20X8-8	1
63	C35156	PIN, CLEVIS .310 DIA+.475 LG	1
64	C35157	RING, RET E .31X.24	1
65	C35158	NUT, 1/4-20 REGHEX	1
66	C35159	CLEVIS	1
67	C35160	SCREW, 5/16-18X.56 PHPNMA BKPH	1
68	C35161	WASHER, .344ID X1.50DX.09 CU BPH	1
69	C35162	NUT, 5/16-18 SQ	1
70	C35129	PULLEY, .906X.305 NYLON	1
71	C35163	PIN, CLEVIS .38 DIA X1.00 LG	1
72	C34908	PIN, HAIR .091 DIA X1.66LG	1
73	C34825	CLEVIS, LIFT CABLE	1
74	C34824	NUT, 1/4-20 REGSQ	1
75	C34826	PIN CLEVIS .312 X .812	1
76	C35164	PIN, COTTER .090/.086X.75LG	1
77	C35165	LIFT COVER-39" F5	1
78	C35166	SCREW, #10 X.75 HHPLAST	3

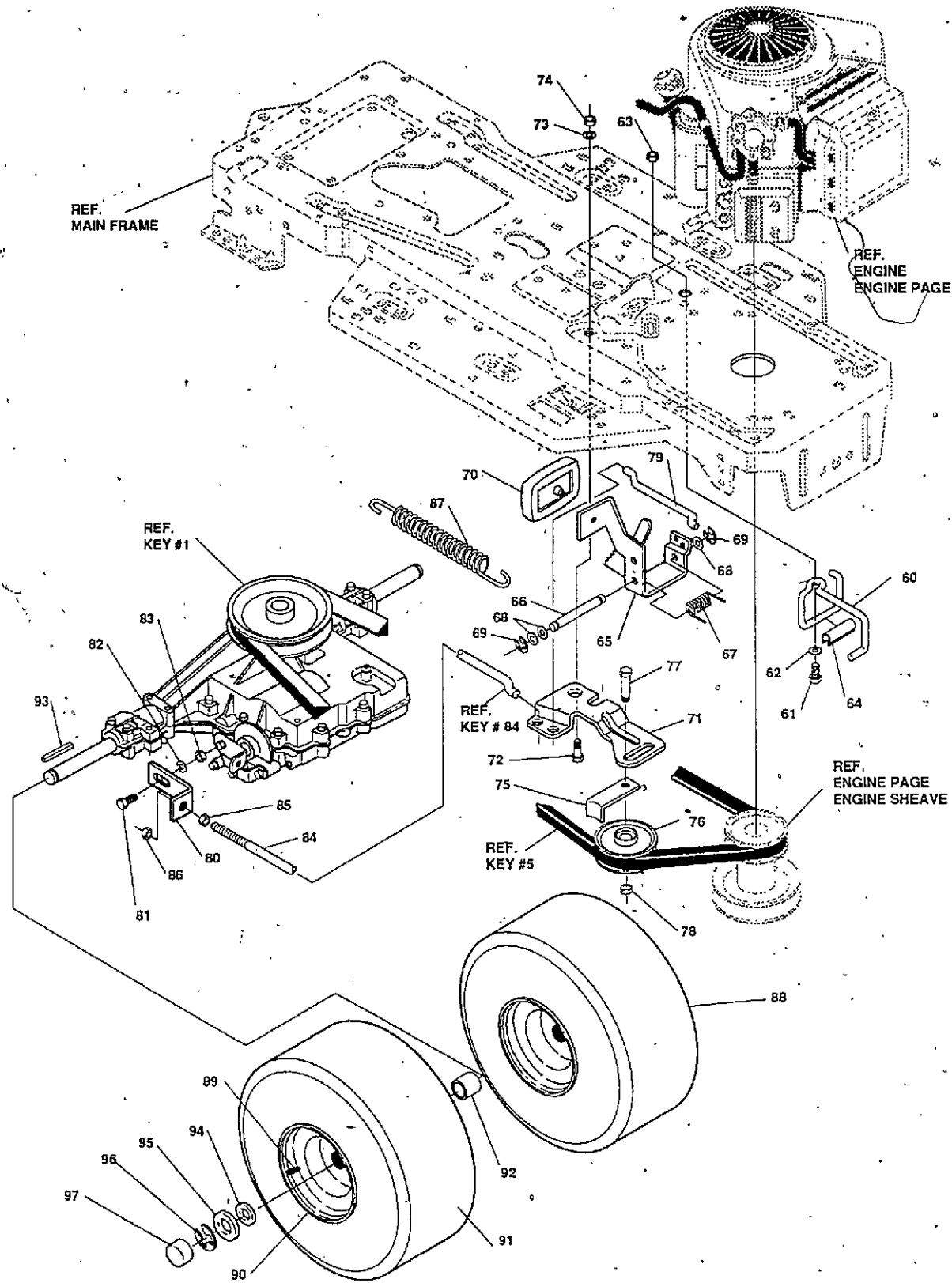
MOTION DRIVE ASSEMBLY



key#	part#	description	qty.
1	C34517*	TRANSAXLE	1
2	C35552	PULLEY	1
3	C34909	KEY, WDRF 606 .750X.187X.312	1
4	C34874	RING, RETEX .58X.04TRU5100-62	1
5	C35553	BELT	1
6	C35234	SCREW, 5/16-18X2.25 HHC	4
7	C34876	WASHER, FLAT .344X.69X.065	4
8	C34798	NUT, 5/16-18 REGHEXCTRLK	4
9	C35264	SCREW, 3/8-16X1.25 WAHHTAP	1
10	C35235	MF STABILIZER BRKT P920,F4150	1
11	C34800	SCREW, 5/16-18X.75 WAHHTAP	2
12	C35054	WASHER, HVSP TLK .328X.60X.09	2
13	C34802	SCREW, 5/16-18X1.00 HHC	1
14	C34876	WASHER, FLAT .344X.69X.065	1
15	C34798	NUT, 5/16-18 REGHEXCTRLK	1
16	C34796	SCREW, 5/16-18X.63 HHC	1
17	C35237	WASHER, REGINTLK.320X.61X.03	1
18	C34798	NUT, 5/16-18 REGHEXCTRLK	1
19	C35238	LEVER,SHIFT,LWR 4360 LF	1
20	C35239	CLIP-SHIFT LEVER .62 ROD	1
21	C35006	SCREW, 5/16-18X.75 HHC	1
22	C35240	WASHER, FLAT .391X1.00X.125	1
23	C34798	NUT, 5/16-18 REGHEXCTRLK	1
24	C35239	CLIP-SHIFT LEVER .62 ROD	1
25	C35241	GUIDE, BELT 5/16-18THD	1
26	C35240	WASHER, FLAT .391X1.00X.125	1
27	C34798	NUT, 5/16-18 REGHEXCTRLK	1
28	C35242	PIVOT BRKT LEVER	1
29	C35243	SCREW, 1/4-20X .62 HHC	2
30	C34806	NUT, 1/4-20 REGHEXCTRLK	2
31	C35244	LEVER, SHIFT UPPER SF 1/2-13TH	1
32	C35426	SPRING, TORS. .56X.95X.095	1
33	C34890	PIN, COTTER .125 DIA X1.00LG	1
34	C35246	NUT, 1/2-13 HEXJAM	1
35	C35247	HANDLE 1/2-13 MOLDED	1
36	C35554	LINK TIE ROD SHIFTER P930-6 LF	1
37	C35249	SCREW, 3/8-16X1.25 HHC	1
38	C34814	NUT, 3/8-16 REGHXCTRLK	1
39	C35150	BRACKET,SHIFT 5SP SF FEN HT	1
40	C35249	SCREW, 3/8-16X1.25 HHC	1
41	C34889	WASHER, FLAT .406X.81X.065	2
42	C34814	NUT, 3/8-16 REGHXCTRLK	1
43	C34886	WASHER, .750X.250 SP-TRANSAXLE	1
44	C34887	SCREW, 1/4-28X .75 NYLHHC	1

\*See Transaxle Section for Service Parts

MOTION DRIVE ASSEMBLY

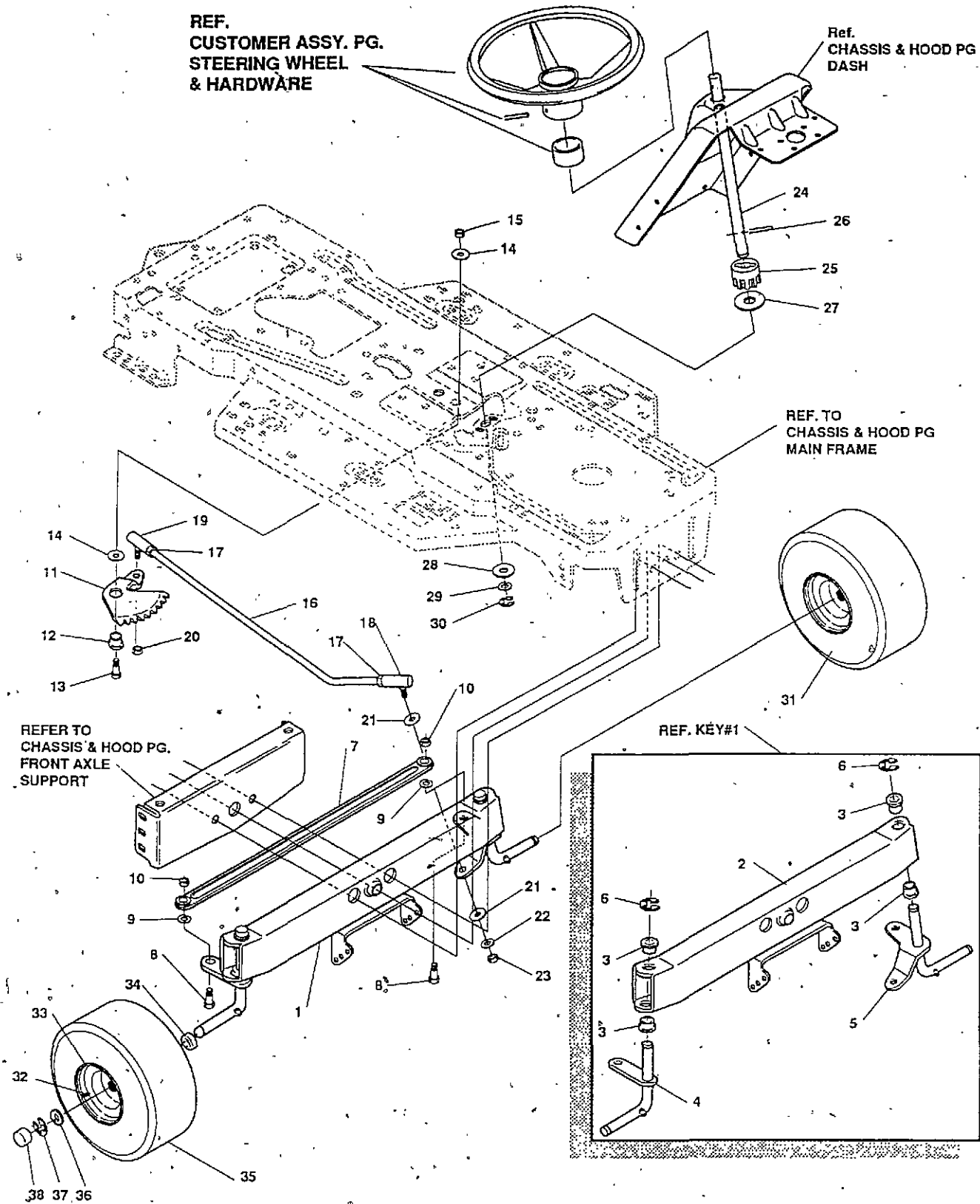


key#	part#	description	qty.
60	C35433	GUIDE-BELT/DRAGLINK	1
61	C35124	SCREW, 5/16-18X1.00 HHC	1
62	C34899	WASHER, FLAT .333X.87X.119	1
63	C34798	NUT, 5/16-18 REGHEXCTRLK	1
64	C35253	PLASTIC EXTRUSION-BELT GUIDE	1
65	C35254	PEDAL ASSY, BRAKE/CLUTCH LF	1
66	C34980	ROD, PIVOT .50 OD+4.44LG	1
67	C35255	SPRING, BRAKE PEDAL	1
68	C35192	WASHER, FLAT .504X.75X.059	3
69	C34979	RING, RET E .39X.04TRU5133-50	2
70	C35256	PAD, CLUTCH BRAKE W/PRINTING	1
71	C35257	ARM, IDLER TRACTION DR. LF	1
72	C35258	BOLT, .625X.135 HSH 5/16-18	1
73	C34899	WASHER, FLAT .333X.87X.119	1
74	C34798	NUT, 5/16-18 REGHEXCTRLK	1
75	C34903	RETAINER, STRAP BELT	1
76	C34902	PULLEY, IDLER V4L 3.06X .62	1
77	C34905	BOLT, 3/8-16X1.50 CARR	1
78	C34814	NUT, 3/8-16 REGHXCTRLK	1
79	C35259	ROD, CLUTCH	1
80	C34993	BRACKET, BRAKE ROD	1
81	C34816	BOLT, .437X.156 HSH 5/16-18	1
82	C34899	WASHER, FLAT .333X.87X.119*	1
83	C34798	NUT, 5/16-18 REGHEXCTRLK	1
84	C35555	ROD, BRAKE LT 920 LF 22.25	1
85	C34833	NUT, 5/16-18 HEXKEPS	1
86	C34798	NUT, 5/16-18 REGHEXCTRLK	1
87	C35435	SPRING, CLUTCH .113X.750X8.75	1
88	*	TIRE & RIM, PU 20X8-8 TURF SILVER880	2
89	C34920	VALVE STEM	
90	C35556	RIM, WHEEL 20X8.00	
91	**	TIRE	
92	C35437	SPACER	2
93	C34915	KEY	2
94	C35195	WASHER, FLAT .755X1.31X.075	4
95	C34916	WASHER, FLAT .755X1.53X.07	2
96	C34917	RING, RETEX	2
97	C34918	CAP, HUB	2

\* Order Individual Parts.

\*\*Order Tires From Your Local Tire Dealer

STEERING ASSEMBLY

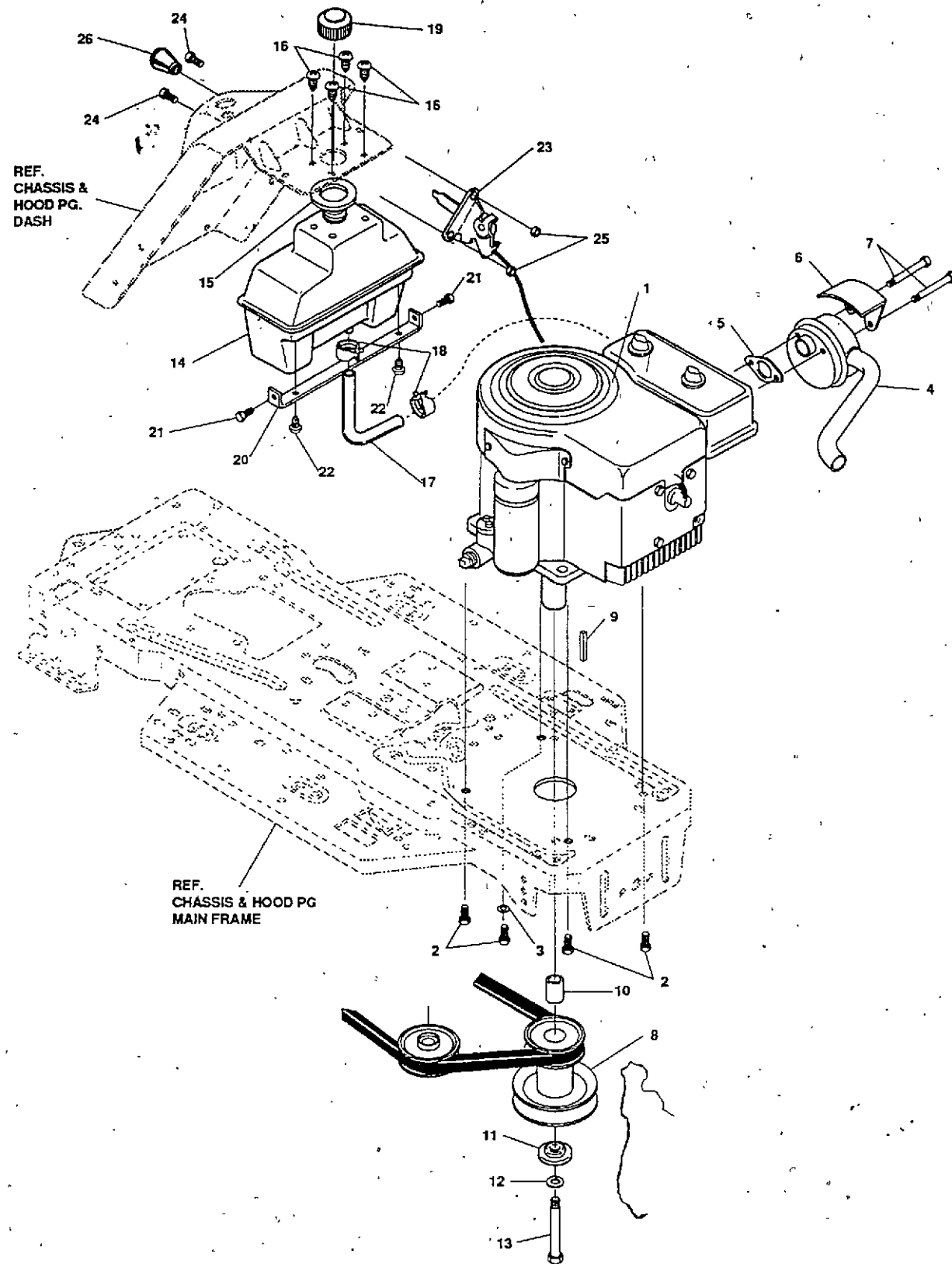


key#	part#	description	qty.
1	*	ASSY, AXLE FRONT	1
2	C35167	AXLE, FRONT	1
3	C35390	SPINDLE BEARING	4
4	C35391	SPINDLE RH	1
5	C35392	SPINDLE LH	1
6	C34917	RING, RETEX .57X.05TRU5133-75	2
7	C35172	TIE ROD ASSY 19.81LG	1
8	C35173	SCREW, 3/8-16X1.75 HHC	2
9	C34861	WASHER, REGSPTLK.393X.68X.10	2
10	C34814	NUT, 3/8-16 REGHXCTRLK	2
11	C35393	SECTOR, STEERING LF	1
12	C35394	BRNG, FL ECC.510IDX .998ODX .56	1
13	C35395	SCREW, 1/2-13X1.50 HHC	1
14	C35396	WASHER, FLAT .515X1.38X.119	2
15	C35375	NUT, 1/2-13 REGHCTRLK	1
16	C35397	STEERING LINK	1
17	C35182	NUT, 3/8-24 REGHEXJAM	2
18	C35183	BALL JOINT 3/8 THD SHORT STUD	1
19	C35398	BALL JOINT 3/8 TH'D LONG STUD	1
20	C35186	NUT, 3/8-24 WDFLHLK	1
21	C34892	WASHER, FLAT .531X1.06X.095	2
22	C34861	WASHER, REGSPTLK.393X.68X.10	1
23	C35557	NUT, 3/8-24 REGHEX	1
24	C35399	SHAFT, STEERING LF	1
25	C35400	PINION, STEERING LF	1
26	C35401	PIN, DOWEL .2500 OD+1.75	1
27	C35402	BRNG, FL .752IDX1.061ODX .24	1
28	C35403	WASHER, FORMED1.135X1.53X.12	1
29	C35207	WASHER, FLAT .765X1.25X.042	1
30	C34917	RING, RETEX .57X.05TRU5133-75	1
31	*	TIRE & RIM, PU 15X6.0X6 SILVER 880	2
32	C34920	VALVE STEM	1
33	C35193	WHEEL W/BRG. W/ZIRK	1
34	C35404	BEARING, FL1.38OD+.753ID	1
35	**	TIRE	1
36	C35195	WASHER, FLAT .755X1.31X.075	4
37	C34917	RING, RETEX .57X.05TRU5133-75	2
38	C34918	CAP, 1.500ID X 7/8LG HUB	2

\* Order Individual Parts.

\*\*Order Tires at Your Local Tire Dealer



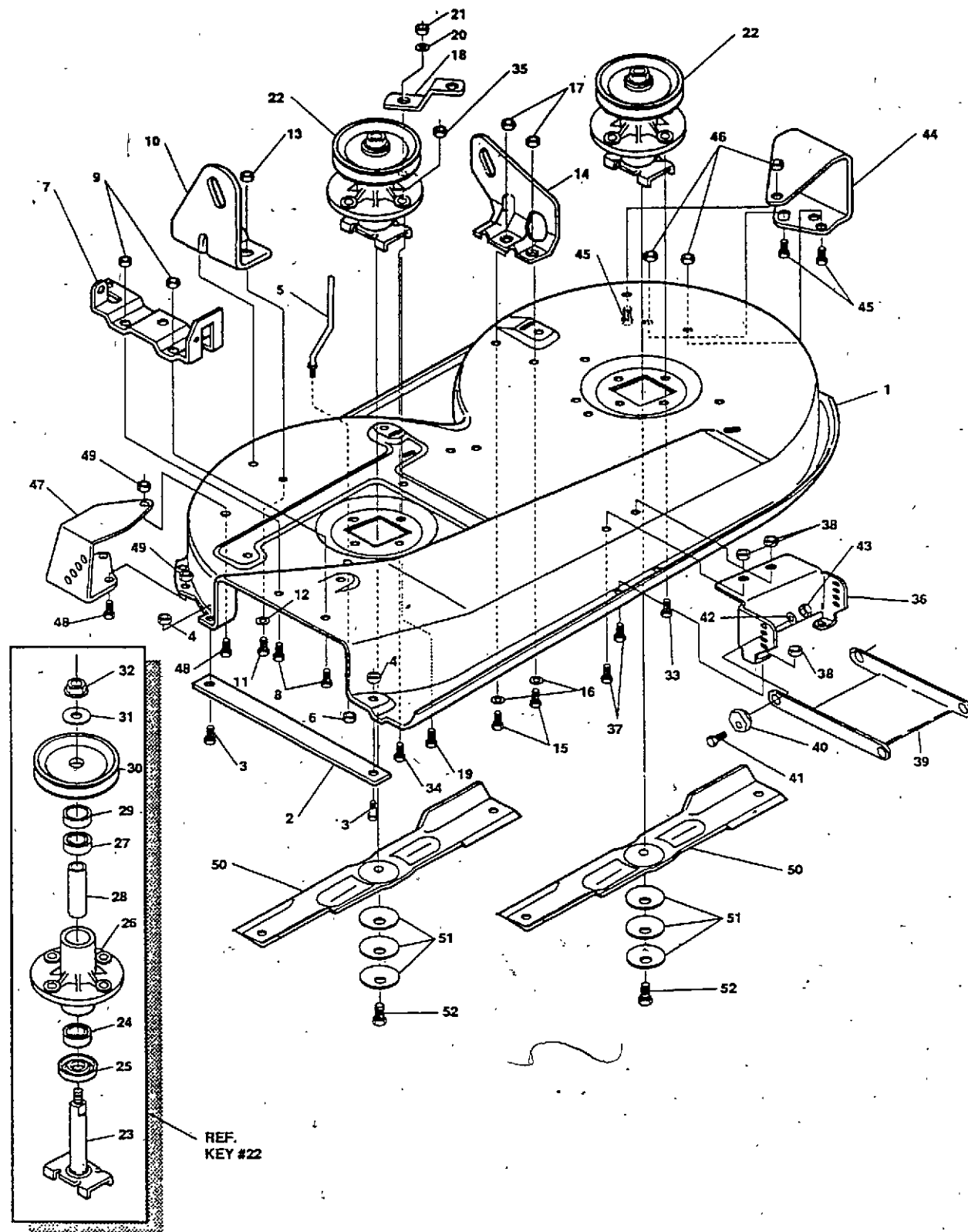


## ENGINE AND CONTROL ASSEMBLY

key#	part#	description	qty.
1	C34536*	ENGINE, 12 HP B&S I/C	1
2	C35264	SCREW, 3/8-16X1.25 WAHHTAP	4
3	C35265	WASHER, EXLK.384X.69X.04	1
4	C35439	MUFFLER, 10-12 HP W/TUBE FR EXH	1
5	C35440	GASKET, MUFFLER	1
6	C35441	SHIELD, HEAT	1
7	C35442	SCREW, 5/16-18X3.50 HHC	2
8	C35443	PULLEY ASSY, 4.75OFFS 5.5DIA	1
9	C35278	KEY, SQUARE .250SQX5.00LG	1
10	C35279	SPACER, 1.01X1.484 ENGIN PULLEY	1
11	C34925	WASHER, .980IDX1.38ODX.437PILOT	1
12	C34881	WASHER, REGSPTLK.459X.78X.12	1
13	C35280	SCREW, 7/16-20X5.00 HHC	1
14	C35444	TANK, FUEL	1
15	C35445	PAD, FUEL TANK	1
16	C35100	SCREW, 1/4-10X .75PHPNTAP	4
17	C34965	GAS LINE .25ID	6"
18	C34966	CLAMP, FUEL LINE	2
19	C35282	GAS CAP 1-1/2-7 THD	1
20	C35446	BRACKET, FUEL TANK	1
21	C34794	SCREW, 1/4-20X.50 WAHHTAP	2
22	C35100,	SCREW, 1/4-10X.75 PHPNTAP	2
23	C35447	CONTROL, THROTTLE LF 12HP 20.5	1
24	C35289	SCREW, 10-24X .63PHPNMA	2
25	C35290	NUT, #10-24 HEXKEPS	2
26	C35291	KNOB, ROUND THROTTLE	1

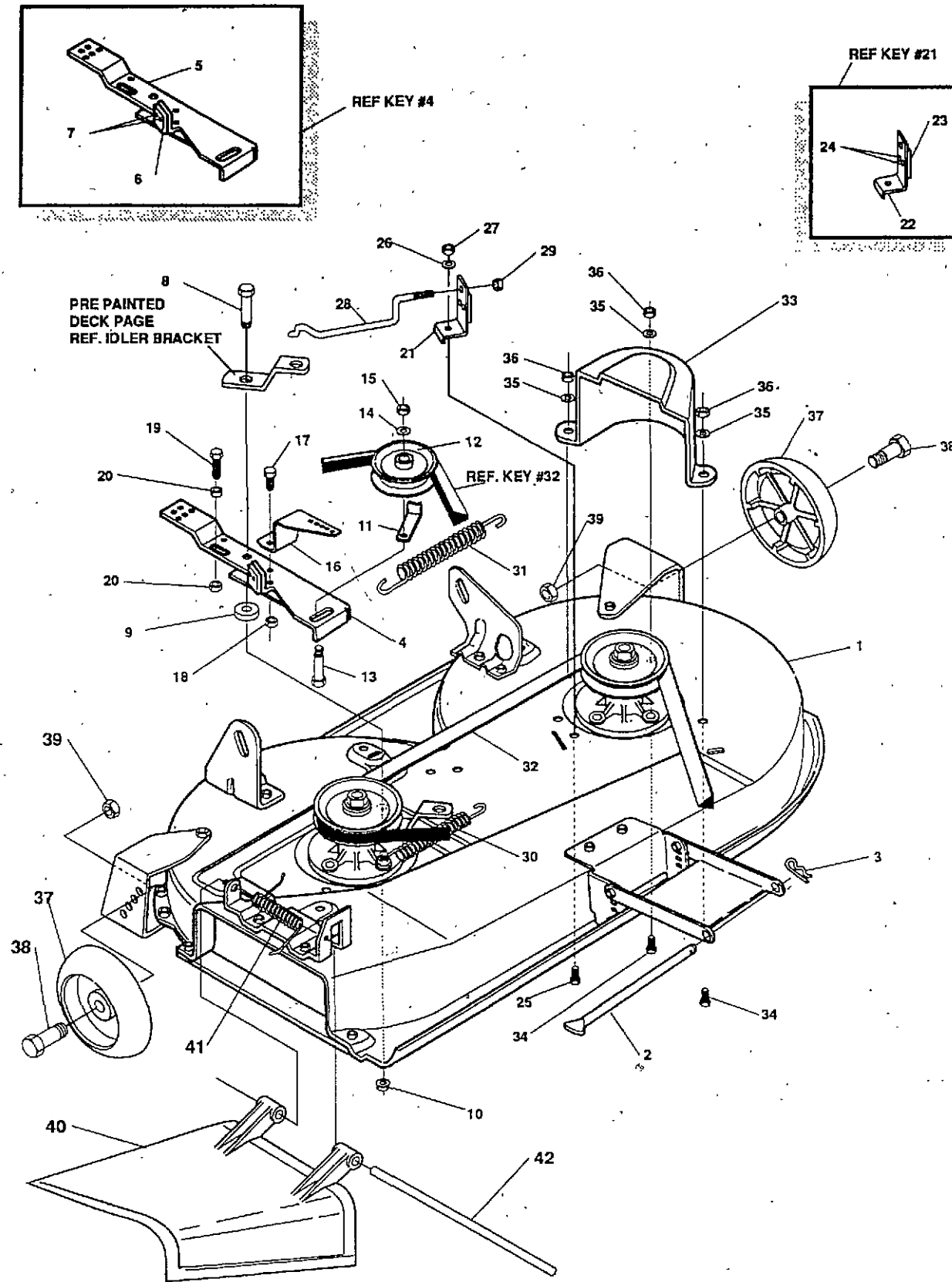
\*See Engine Section for Service Parts

PRE-PAINTED DECK ASSEMBLY



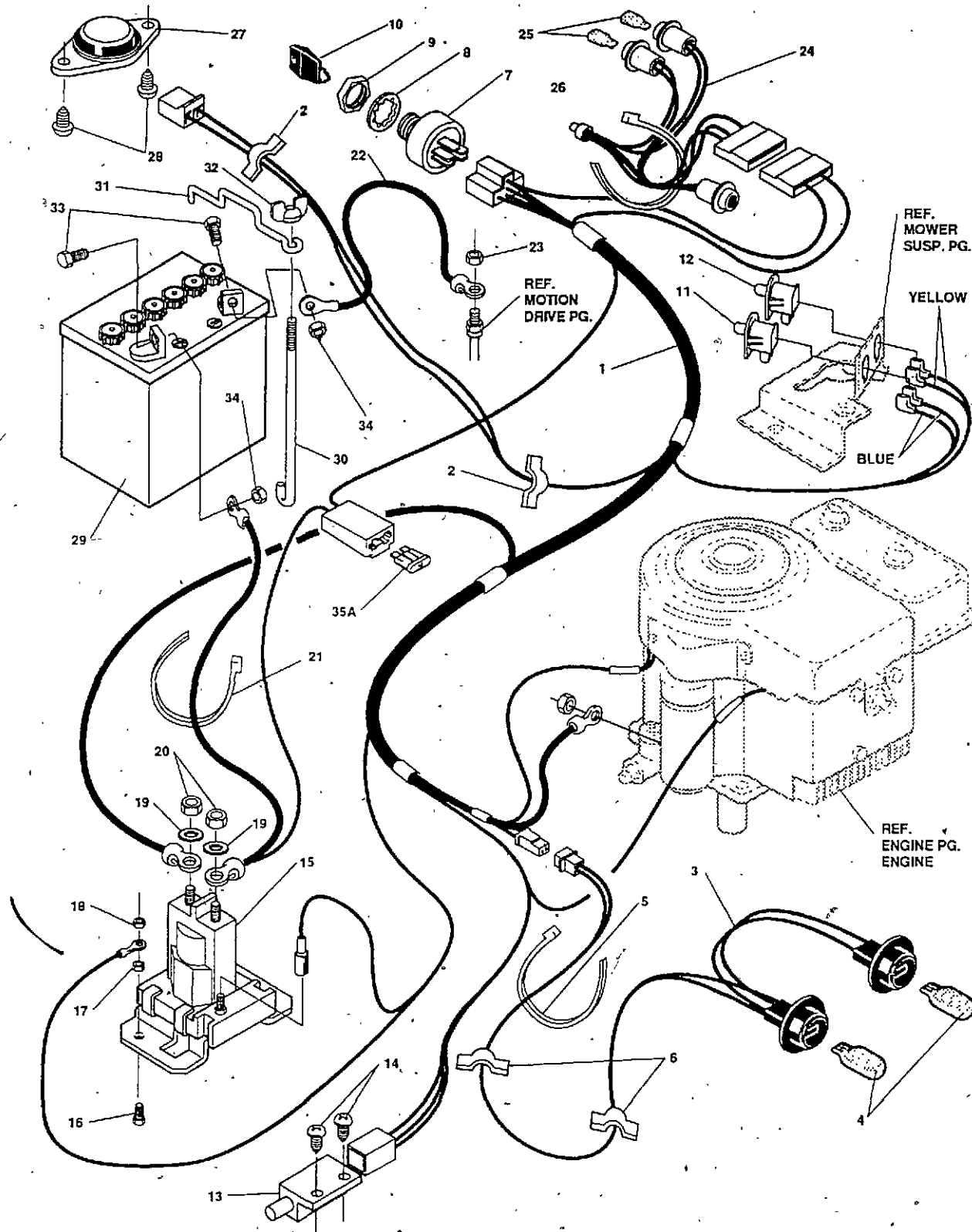
key#	part#	description	qty.
1	C35558	DECK,39"SD MOWER	1
2	C35002	BAR, SKID	1
3	C34895	BOLT, 5/16-18X .75 CARR	2
4	C34798	NUT, 5/16-18 REGHEXCTRLK	2
5	C34999	GUIDE, BELT 5/16-18 THD	1
6	C34798	NUT, 5/16-18 REGHEXCTRLK	1
7	C35003	BRACKET, CHUTE	1
8	C35004	SCREW, 5/16-18X .50 HHC	2
9	C34798	NUT, 5/16-18 REGHEXCTRLK	2
10	C35297	LIFT BRACKET, REAR,RH	1
11	C35006	SCREW, 5/16-18X .75 HHC	2
12	C34876	WASHER, FLAT .344X .69X.065	2
13	C34798	NUT, 5/16-18 REGHEXCTRLK	2
14	C35298	BRACKET,DECK LIFTREAR LH	1
15	C35006	SCREW, 5/16-18X .75 HHC	2
16	C34876	WASHER, FLAT .344X .69X.065	2
17	C34798	NUT, 5/16-18 REGHEXCTRLK	2
18	C35449	BRACKET, IDLER SUPPORT	1
19	C35307	SCREW, 5/16-18X1.38 WATAP	1
20	C34876	WASHER, FLAT .344X .69X.065	1
21	C35798	NUT, 5/16-18 REGHEXCTRLK	1
22	C35300	QUILL ASSY, 36/39/40/43	2
23	C35301	SHAFT/SADDLE 36"	1
24	C34983	BRNG, BALL	1
25	C34985	DUST SHIELD	1
26	C35302	QUILL CASTING	1
27	C34983	BRNG, BALL	1
28	C35303	SPACER,3.797LGX.669IDX.88OD	1
29	C35304	SPACER, .438LGX.932ODX.672ID-	1
30	C34989	PULLEY,26/36" QUILL	1
31	C34990	SPECIAL WASHER	1
32	C34991	NUT, 7/16-20 WDFLLK	1
33	C34992	SCREW, 5/16-18X .88 WAHTAP	6
34	C35307	SCREW, 5/16-18X1.38 WATAP	1
35	C34798	NUT, 5/16-18 REGHEXCTRLK	1
36	C35450	LIFT SUPPORT FRONT DECK	1
37	C35295	SCREW, 5/16-18X .63 HHC	4
38	C34798	NUT, 5/16-18 REGHEXCTRLK	4
39	C35309	LINK BRACKET,DECK FR	1
40	C35139	ADJUSTING NUT	2
41	C34802	SCREW, 5/16-18X1.00 HHC	2
42	C35311	WASHER, FLAT .328X1.06X.062	2
43	C34798	NUT, 5/16-18 REGHEXCTRLK	2
44	C35451	WHEEL BRKT, LH	1
45	C35295	SCREW, 5/16-18X .63 HHC	3
46	C34798	NUT, 5/16-18 REGHEXCTRLK	3
47	C35452	WHEEL BRKT, RH	1
48	C35295	SCREW, 5/16-18X .63 HHC	3
49	C34798	NUT, 5/16-18 REGHEXCTRLK	3
50	C35453	BLADE, 19.69 HI-LIFT	2
51	C34997	WASHER, .39IDX1.25DX.07 BELLVIL	6
52	C34998	SCREW, 3/8-24X1.00 NYLHHC	2

## FINAL DECK ASSEMBLY



key#	part#	description	qty.
1		DECK 39SD 2-DECKWH	1
2	C35316	ROD, DECK HITCH	1
3	C34908	PIN, HAIR .091 DIA X 1.66	1
4	C35454	BRACKET, IDLER ARM/BRAKE	1
5	C35455	IDLER ARM 36,38,39,&45	1
6	C34951	BRAKE PAD - HARD	1
7	C34950	RIVET, TRSET .185 DIA X .41	2
8	C35458	BOLT, .50 X 1.88 HSSH 3/8-16	1
9	C35240	WASHER, FLAT .391 X 1.00 X .125	1
10	C35284	NUT, 3/8-16 HWDFL WHIZ NUT	1
11	C35457	BELT RETAINER 2.55 OD	1
12	C35458	PULLEY, IDLER BFF 4.00	1
13	C35327	BOLT, 3/8-16 X 2.00 CARR	1
14	C34861	WASHER, REGSPTLK.393 X .68 X .10	1
15	C35174	NUT, 3/8-16 REGHX	1
16	C35459	BRACKET, EXTENSION IDLER	1
17	C35006	SCREW, 5/16-18 X .75 HHC	1
18	C34798	NUT, 5/16-18 REGHEXCTRLK	1
19	C35460	SCREW, 1/4-20 X 2.00 HHC	1
20	C35024	NUT, 1/4-20 REGHEXKEPS	2
21	C35461	ASSY. BLADE BRAKE	1
22	C35462	BRAKE ARM	1
23	C34951	BRAKE PAD	1
24	C34950	RIVET, TRSET .185 DIA X .41	2
25	C34796	SCREW, 5/16-18 X .63 HHC	1
26	C34876	WASHER, FLAT .344 X .69 X .065	1
27	C34798	NUT, 5/16-18 REGHEXCTRLK	1
28	C35463	ROD, BRAKE RELEASE 14.7 39	1
29	C34806	NUT, 1/4-20 REGHEXCTRLK	1
30	C34901	SPRING .071 X .62 X 4.37	1
31	C35464	SPRING, TENSION	1
32	C35465	BELT, V 5L 77.75	1
33	C35466	GUARD, BELT LH	1
34	C34796	SCREW, 5/16-18 X .63 HHC	3
35	C34876	WASHER, FLAT .344 X .69 X .065	3
36	C34798	NUT, 5/16-18 REGHEXCTRLK	3
37	C35373	WHEEL, SD	2
38	C34828	BOLT, .500 X 1.390 HSSH 3/8-16	2
39	C34814	NUT, 3/8-16 REGHXCTRLK	2
40	C34836	CHUTE-36SD,39SD	1
41	C34839	SPRING, TORSION	1
42	C34838	PIVOT ROD, CHUTE	1

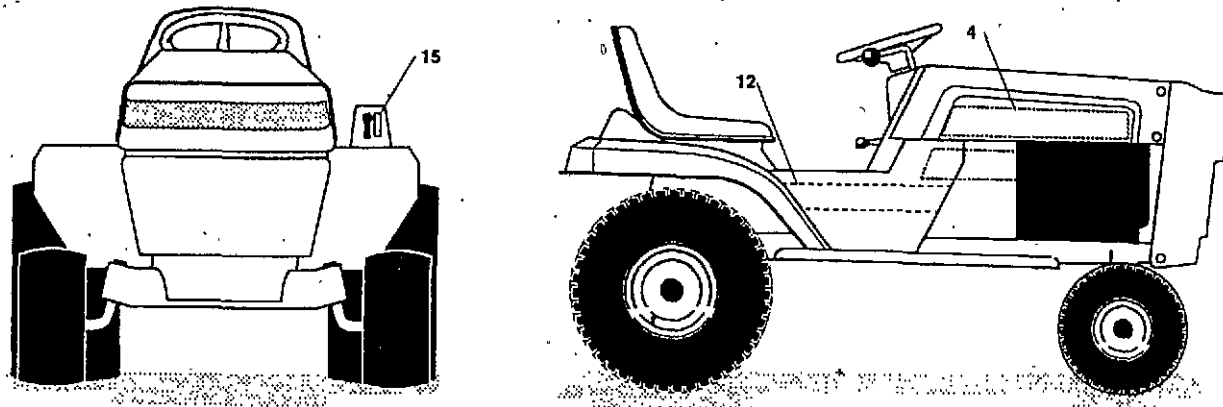
\*Order Individual Parts



## ELECTRICAL ASSEMBLY

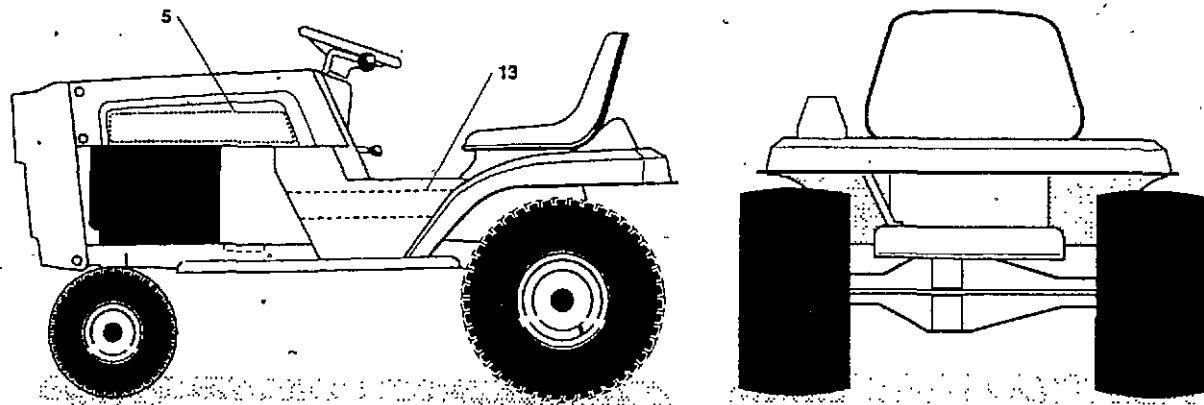
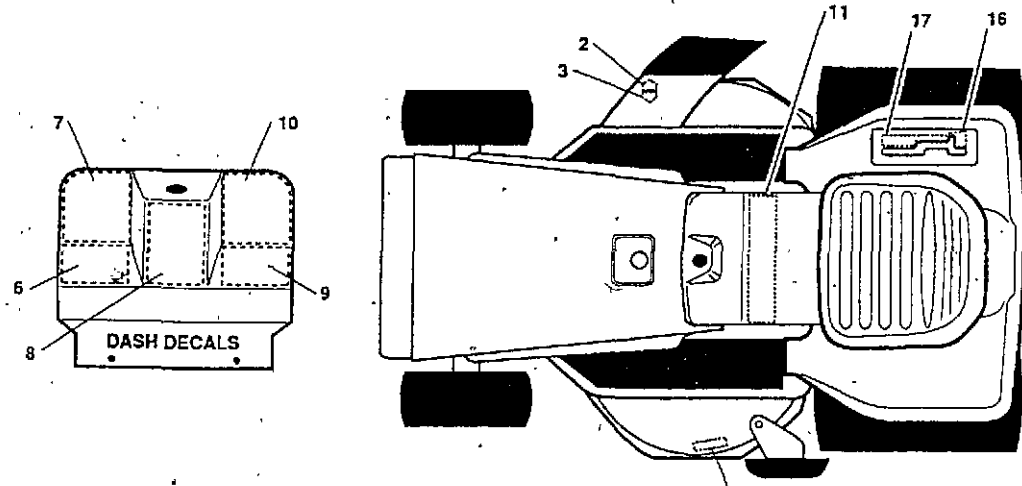
key#	part#	description	qty.
1	C35559	WIRE HARNESS	1
2	C35030	CLIP, 1.380LG .255ID PRESS WIRE	2
3	C35333	ASSY, LIGHT WIRE-1/4 TURN	1
4	C35035	BULB, HEADLAMP	2
5	C35334	TIE, CABLE BLACK NYLON 5.62	1
6	C35030	CLIP, 1.380LG .255ID PRESS WIRE	2
7	C35018	SWITCH, IGNITION & LIGHTS	1
8	C35336	WASHER, REGINTLK.640X1.1X.05	1
9	C35337	NUT, 5/8-32 HXHD IGN SWIT	1
10	C35021	KEY, IGNITION SWITCH	1
11	C35339	SWITCH,SNAPMNT NO .055/.116	1
12	C35017	SWITCH,SNAPMNT NC .055/.166	1
13	C35015	SWITCH,SCR MNT DP NC	1
14	C35016	SCREW, #12 X .50 PHPNHTAP	2
15	C35022	SOLENOID, NEW CLUM	1
16	C35023	SCREW, 1/4-20X .75 HXSEMMA	2
17	C34806	NUT, 1/4-20 REGHEXCTRLK	2
18	C35024	NUT, 1/4-20 REGHEXKEPS	1
19	C34922	WASHER, EXLK .320X.61X.03	2
20	C35640	NUT, 5/16-24 REGHEX	2
21	C35334	TIE, CABLE BLACK NYLON 5.62	1
22	C35033	WIRE, GROUND, 12.5"	1
23	C34833	NUT, 5/16-18 HEXKEPS	1
24	C35468	LIGHT HARNESS 3-IL CHG,MWR,CL	1
25	C35343	BULB, INDICATOR	2
26	C35334	TIE, CABLE BLACK NYLON 5.62	1
27	C35345	SWITCH, SEAT	1
28	C35346	SCREW, 1/4-20X .38PHPNHMA	2
29	C35469	BATTERY, YUASA 12V 7-PLATE	1
30	C35348	ROD, BATTERY	1
31	C35349	ROD, BATTERY, TOP	1
32	C35032	SMALL PLASTIC WING NUT 1/4-20	1
33	C35350	SCREW, 1/4-20X .63 HHC	2
34	C35024	NUT, 1/4-20 REGHEXKEPS	2
35A	C35036**	FUSE, 15 AMP SPADE TYPE	1
35B	C35351**	FUSE, 15 AMP CYLINDRICAL	1

\*\*Cylindrical or Spade type fuse included in wire assembly.

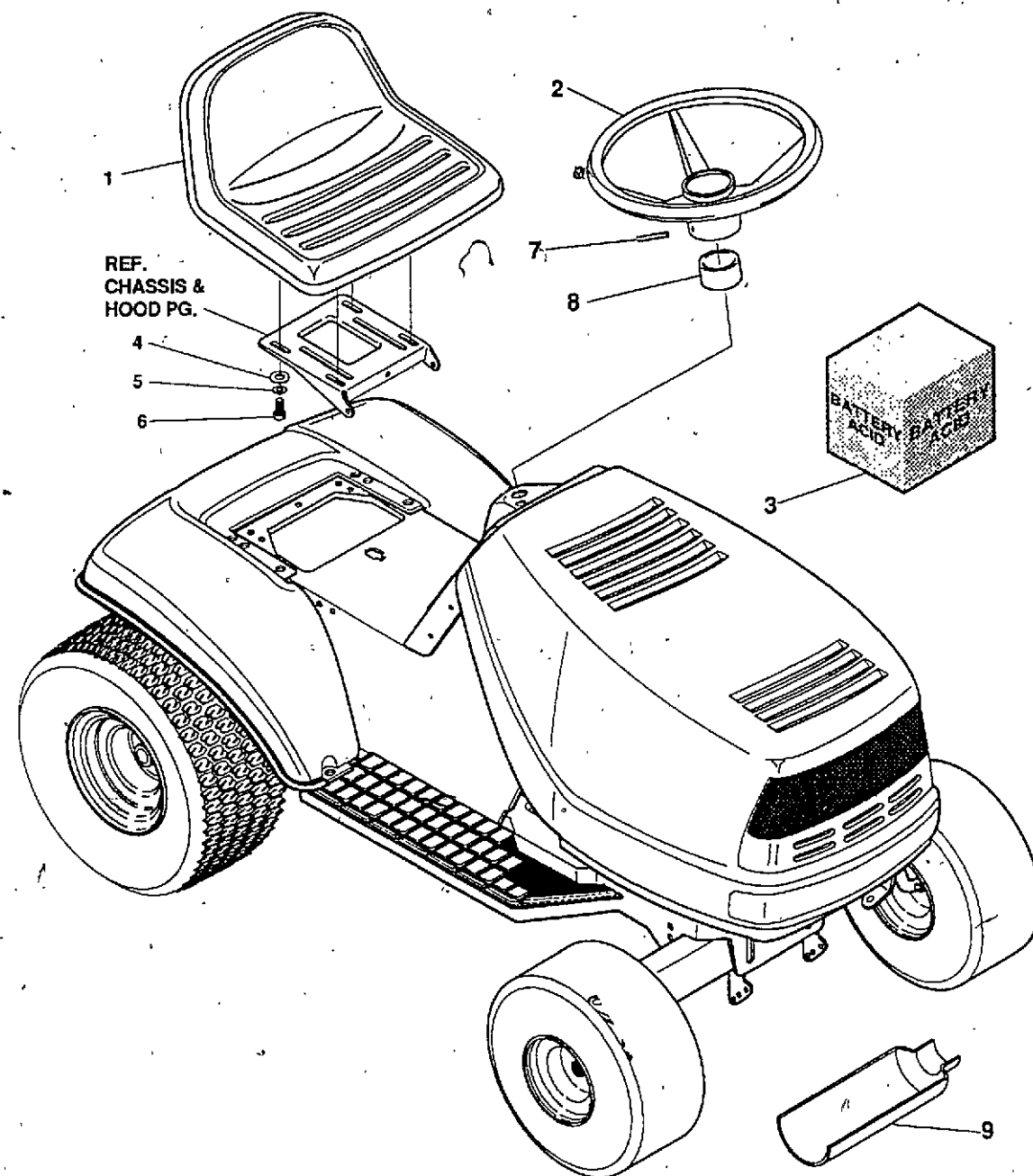


**DECALS**

key#	part#	description	qty.
1	C35050	DECAL, NO STEP	1
2	C35049	DECAL, CUT-HAND WARNING LABEL	1
3		REFERENCE ONLY	
4	C35560	DECAL, HOOD SIDE RH	1
5	C35561	DECAL, HOOD SIDE LH	1
6	C35354	DECAL, DASH, LH	1
7	C36472	DECAL, DASH, LH, THROTTLE	1
8	C35357	DECAL, CENTER, ENGLISH INSTRUCT	1
9	C35474	DECAL, DASH, RH CHARGE/OK I.L.	1
10	C35562	DECAL, DASH, RH IGN. W/ LIGHTS	1
11	C35359	DECAL CAUTION CONSOLE TOP	1
12	C35360	DECAL, CONSOLE RH	1
13	C35361	DECAL, CONSOLE LH	1
14	C35563	DECAL, MODEL INGERSOIL	1
15	C35362	DECAL, LIFT DECK BLADE HEIGHT	1
16	C35363	DECAL SHIFT REV/NEUTRAL	1
17	C35365	DECAL SHIFTER POSITION	1

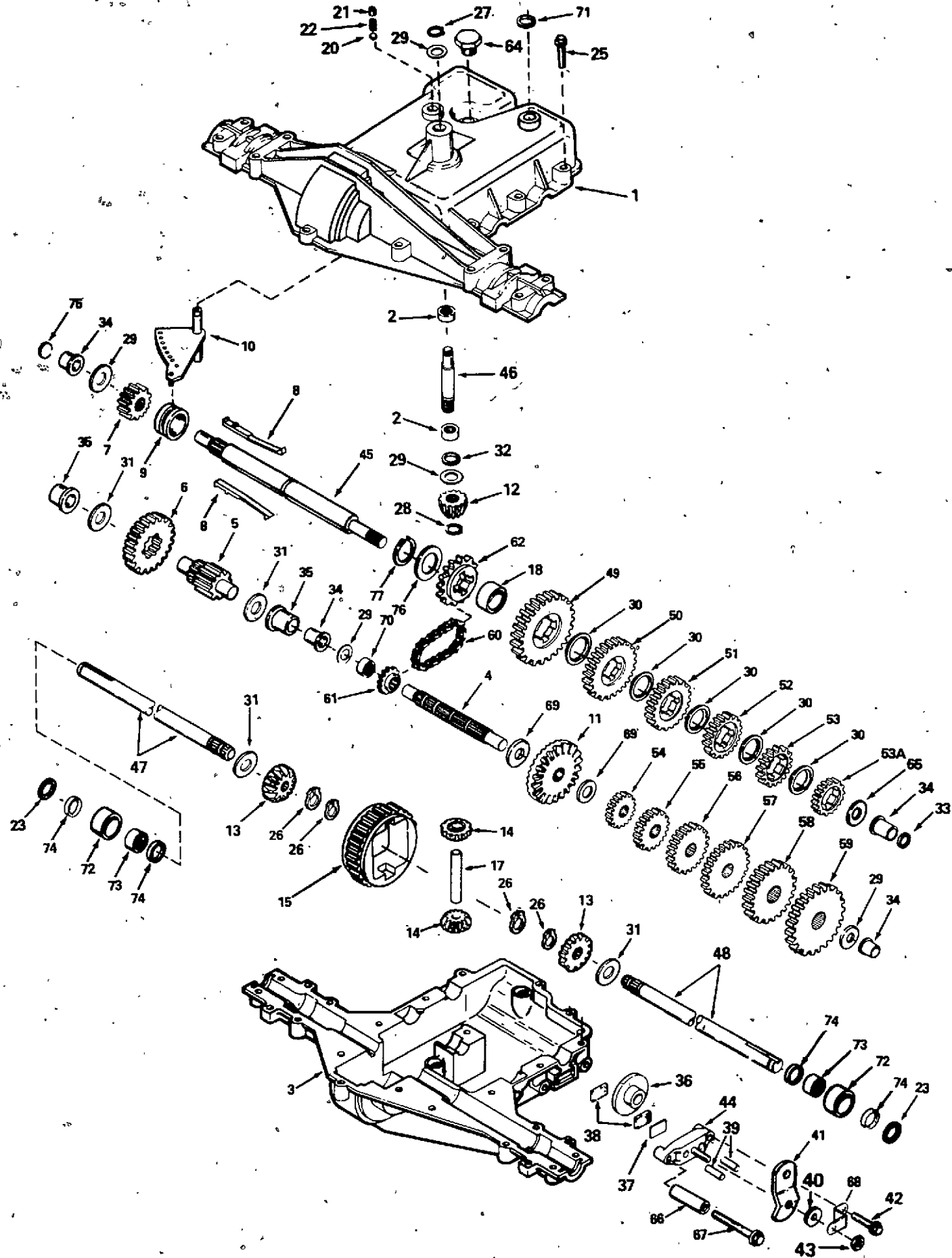


## CUSTOMER ASSEMBLY



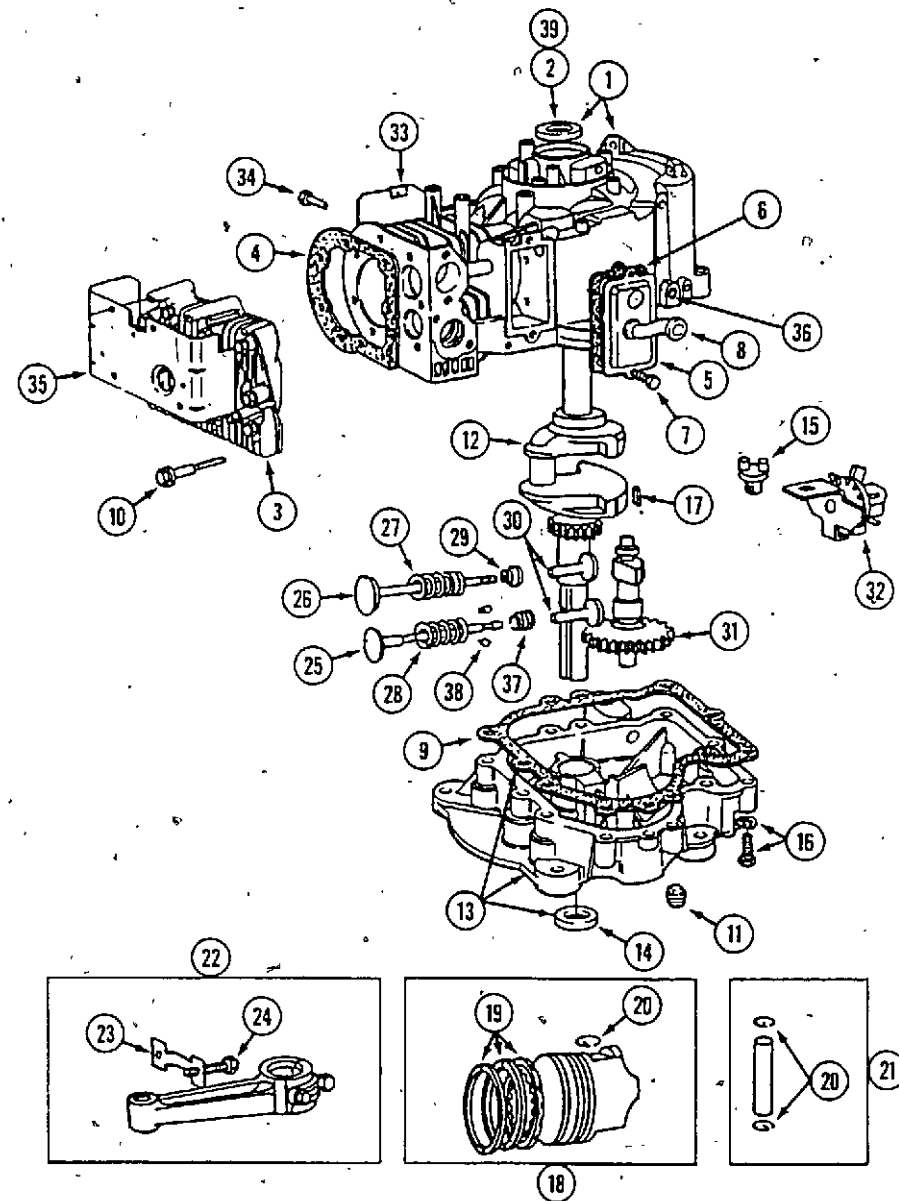
key#	part#	description	qty
1	C35567	SEAT MV350	1
2	C35564	STEERING WHEEL	1
3	NSS	BATTERY ACID PACK	1
4	C34876	WASHER,FLAT .344X.69X.065	4
5	C35054	WASHER,HVSPTLK .328X.60X.09	4
6	C34856	SCREW,5/16-18X.75 HHC	4
7	C35368	PIN,SPRING .250DIA X2.00	1
8	C35566	COVER,STEERING SHAFT	1
9	C35369	TROUGH,OIL DRAIN	1

TRANSAXLE ASSEMBLY



KEY	PART NO.	DESCRIPTION	
1	C34518	COVER - TRANSAXLE	1
2	C28649	BEARING - NEEDLE	2
3	C34519	CASE - TRANSAXLE	1
4	C34488	SHAFT - COUNTER	1
5	C34489	SHAFT & PINION ASSY. - OUTPUT	1
6	C27562	GEAR - OUTPUT	1
7	C27553	GEAR - SPUR 15T	1
8	C34490	KEY - SHIFTER	4
9	C34491	COLLAR - SHIFTER	1
10	C34492	ROD & FORK ASSY. - SHIFT	1
11	C34493	GEAR - BEVEL 42T	1
12	C28652	GEAR - BEVEL PINION, INPUT	1
13	C34520	GEAR - BEVEL	2
14	C34521	GEAR - BEVEL PINION	2
15	C34494	GEAR - RING	1
17	C34495	PIN - DRIVE	1
18	C34496	SPACER	1
20	C28667	BALL - STEEL 5/16" DIA.	1
21	C34148	SCREW - SET 3/8"-16 X 3/8"	1
22	C28654	SPRING	1
23	C34497	RING - SEAL	2
25	C34147	SCREW - 1/4"-20 X 1-1/4" FLANGED, TAPPING	17
26	C34156	RING - RETAINER (PKG. OF 2)	4
27	C19347	RING - RETAINER	1
28	C19352	RING - RETAINER	1
29	C19345	WASHER - THRUST	5
30	C28664	WASHER - THRUST	5
31	C11205	WASHER	4
32	C28648	"O" RING	1
33	C27570	SEAL - SQUARE CUT	1
34	C28653	BUSHING - FLANGED	4
35	C27565	BUSHING - FLANGED	2
36	C27563	DISK - BRAKE	1
37	C19354	PLATE - BRAKE PAD	1
38	C19353	PAD - BRAKE	2
39	C28650	PIN - DOWEL	2
40	C19357	WASHER - FLAT	1
41	C34498	LEVER - BRAKE	1
42	C34147	SCREW - 1/4"-20 X 1-1/4" FLANGED, TAPPING	1
43	C19358	NUT - LOCK 5/16"-24	1
44	C34144	HOLDER - BRAKE PAD	1
45	C34499	SHAFT - BRAKE	1
46	C28651	SHAFT - INPUT	1
47	C34522	AXLE - 11-5/16" LONG	1
48	C34523	AXLE - 15-7/8" LONG	1
49	C34502	GEAR - SPUR 37T	1
50	C28658	GEAR - SPUR 30T	1
51	C34503	GEAR - SPUR 27T	1
52	C28657	GEAR - SPUR 25T	1
53	C27555	GEAR - SPUR 22T	1
53A	C28656	GEAR - SPUR 20T	1
54	C34504	GEAR - SPUR 12T	1
55	C28660	GEAR - SPUR 20T	1
56	C34505	GEAR - SPUR 23T	1
57	C28661	GEAR - SPUR 25T	1
58	C27556	GEAR - SPUR 28T	1
59	C28662	GEAR - SPUR 30T	1
60	C34506	CHAIN - ROLLER NO. 41, 22 LINKS	1
61	C34507	SPROCKET - 10T	1
62	C34508	SPROCKET - 14T	1
64	C27588	PLUG - HEX. 9/16"-18	1
65	C28663	WASHER - THRUST	1
66	C34514	SPACER	1
67	C34515	SCREW - 1/4"-20 X 2-1/4" FLANGED, TAPPING	1
68	C28821	BRACKET - BRAKE LEVER	1
69	C34511	WASHER - THRUST	2
70	C34512	SPACER	1
71	C34149	SEAL - SQUARE CUT	1
72	C34524	SPACER	2
73	C34525	BEARING - NEEDLE	4
74	C27581	RING - SQUARE CUT	1
75	C34513	DISK	1
76	C34509	WASHER - THRUST	1
77	C34510	RING - RETAINING	1

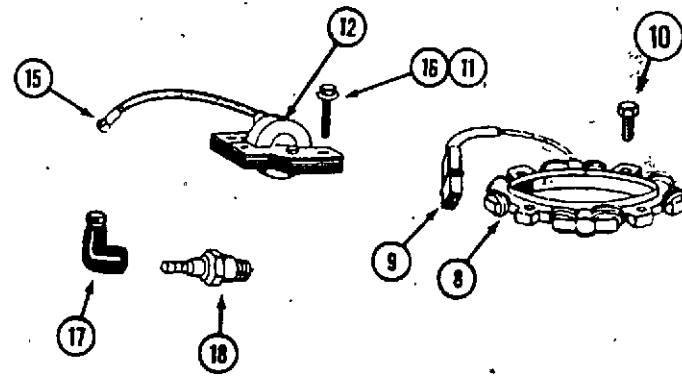
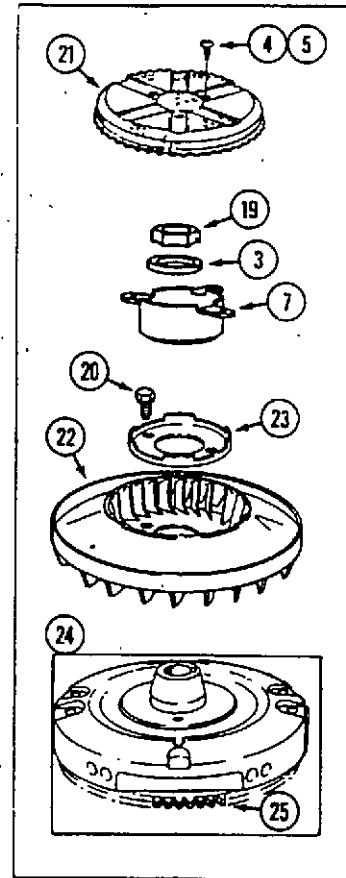
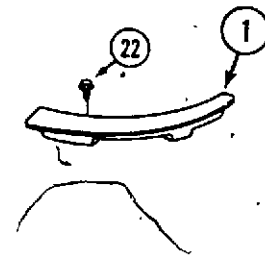
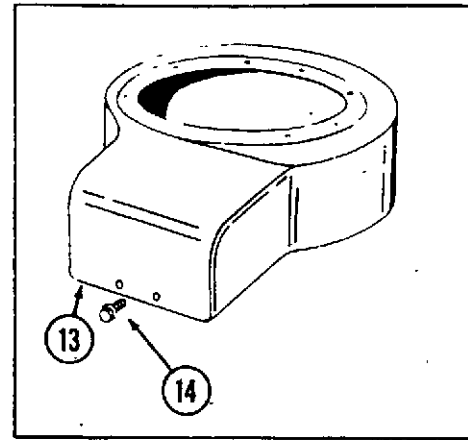
## ENGINE BLOCK



KEY	PART NO.	DESCRIPTION	QTY
0	C30422	GASKET SET - INCLUDES KEY NO. 4, 6, 9 AND CARB. HTG. GSKT.	1
1	C30843	CYLINDER BLOCK ASSEMBLY - SHORT	1
2	C25709	SEAL - OIL	1
3	C33370	HEAD - CYLINDER	1
4	C30410	GASKET - CYLINDER HEAD	1
5	BR391406	BREATHER ASSEMBLY	1
6	C27350	GASKET - VALVE COVER	1
7	187-1508	SCREW - SEMS NO. 10-24 X 1/2"	2
8	C25712	TUBE - BREATHER	1
9	C30411	GASKET - CRANKCASE COVER 1/64" THICK	1
9	C30412	GASKET - CRANKCASE COVER .005" THICK	1
9	C30413	GASKET - CRANKCASE COVER .009" THICK	1
10	BR93723	SCREW - CYLINDER HEAD 3" LONG	6
11	221-843	PLUG - OIL DRAIN	1
12	C30414	CRANKSHAFT	1
13	C30415	SUMP - OIL (ALSO INCLUDES KEY NO. 9)	1
14	C25718	SEAL - OIL	1
15	BR66768	PLUG - OIL FILLER	1
16	NSS	SCREW - SUMP MOUNTING (USE 113-120 AND 192-20)	6
17	C27236	KEY - FLYWHEEL	1
18	C29826	PISTON ASSEMBLY - STANDARD	1
18	C29827	PISTON ASSEMBLY - .010" OVERSIZE	1
18	C29828	PISTON ASSEMBLY - .020" OVERSIZE	1
18	C29829	PISTON ASSEMBLY - .030" OVERSIZE	1
19	C25725	RING SET - PISTON .010" OVERSIZE	1
19	C25726	RING SET - PISTON .020" OVERSIZE	1
19	C25727	RING SET - PISTON .030" OVERSIZE	1
19	C29830	RING SET - PISTON, STANDARD	1
20	C25728	LOCK - PISTON PIN	2
21	C25729	PIN ASSEMBLY - PISTON, STANDARD	1
21	C25730	PIN ASSEMBLY - PISTON .005" OVERSIZE	1
22	C30416	ROD ASSEMBLY - CONNECTING	1
23	C25732	LOCK - CONNECTING ROD SCREW	1
24	C25733	SCREW - CONNECTING ROD	2
25	C30417	VALVE - EXHAUST	1
26	C30418	VALVE - INTAKE	1
27	BR65906	SPRING - INTAKE VALVE	1
28	BR26828	SPRING - EXHAUST VALVE	1
29	BR221596	RETAINER - INTAKE VALVE	2
30	C30419	TAPPET - VALVE	2
31	C29833	CAMSHAFT	1
32	C25746	OIL SLINGER - GOVERNOR GEAR AND BRACKET	1
33	C30420	SHIELD - CYLINDER	1
34	NSS	SCREW - SHIELD MOUNTING (USE 163-18 AND 192-18)	1
35	C33377	COVER - CYLINDER HEAD	1
36	C33379	BUSHING - GOVERNOR CRANK (1/4" I.D.)	1
37	BR292260	ROTATOR - EXHAUST VALVE	1
38	BR93630	RETAINER - EXHAUST VALVE	2
39	C29778	BEARING - CRANKSHAFT	1



**FLYWHEEL AND STATOR**



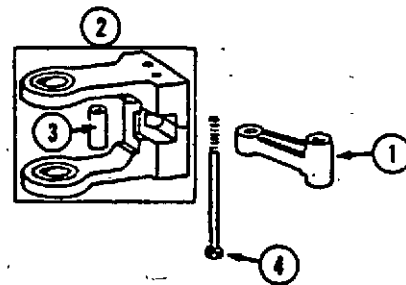
KEY	PART NO.
1	C30446
3	BR220865
4	182-84
5	193-25
7	BR222561
8	C29867
9	C29865
10	182-90
11	193-25
12	C33378
13	C30437
14	C34539
15	BR221798
16	182-549
17	BR66538
18	C24329
19	BR92284
20	NSS
21	BR222562
22	C30447
23	C30448
24	C33372
25	BR392134

DESCRIPTION	QTY
GUARD - FLYWHEEL	1
WASHER - SPRING	1
SCREW - NO. 8-32 X 3/8"	4
LOCKWASHER - NO. 8	4
CUP - SCREEN MOUNTING	1
STATOR - ALTERNATOR	1
DIODE AND CONNECTOR ASSEMBLY	1
SCREW - NO. 8-32 X 1"	4
WASHER - NO. 8	4
ARMATURE ASSEMBLY	1
HOUSING - BLOWER	1
SCREW - MOUNTING	4
TERMINAL - IGNITION CABLE	1
SCREW - NO. 8-32 X 3/4"	2
BOOT - SPARK PLUG	1
SPARK PLUG - RESISTOR	1
NUT - FLYWHEEL	1
SCREW - 3/4" LONG (USE 113-102 AND 92-5)	2
SCREEN - FLYWHEEL	1
FAN - FLYWHEEL	1
RETAINER - FAN	1
FLYWHEEL AND RING GEAR	1
RING GEAR	1

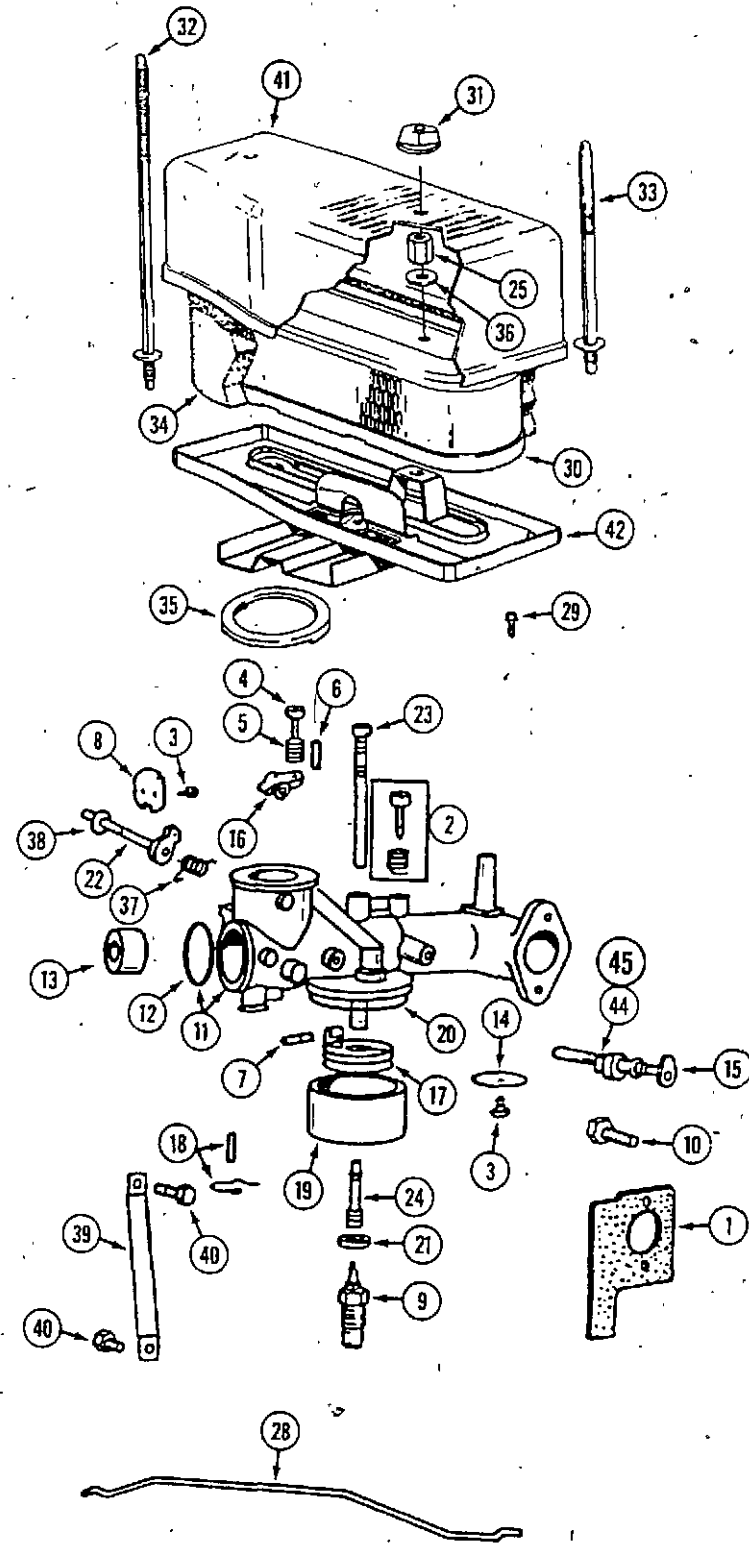
**COUNTERWEIGHT**

1	C29816
2	C30423
3	C29818
4	C29835

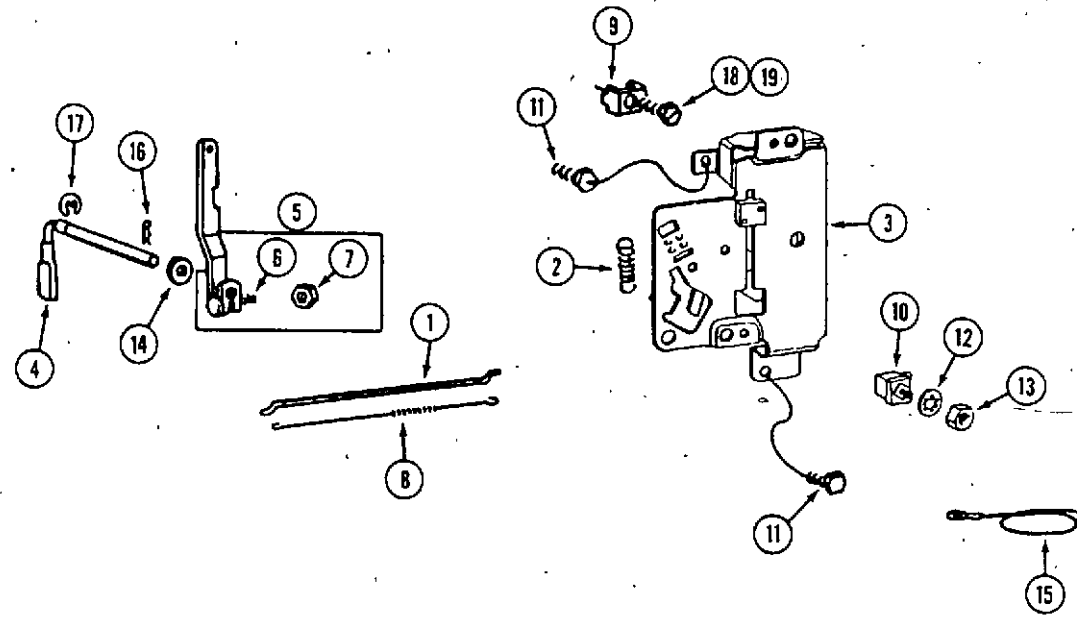
LINK - COUNTERWEIGHT	1
COUNTERWEIGHT ASSEMBLY	1
PIN - COUNTERWEIGHT	1
SCREW - COUNTERWEIGHT	1



**CARBURETOR**



KEY	PART NO.	DESCRIPTION	QTY
0	C27255	KIT - CARB. OVERHAUL (INCLUDES 2,7,9,12,18,20,21,23,24)	1
0	C30424	CARBURETOR	1
0	C31978	FILTER - FUEL	1
1	C25738	GASKET - CARBURETOR MOUNTING	1
2	BR292681	VALVE ASSEMBLY - CARBURETOR IDLE	1
3	BR93499	SCREW - THROTTLE AND CHOKE MOUNTING	2
4	182-87	SCREW - MACHINE, NO. 8-32 X 5/8"	1
5	BR26157	SPRING - THROTTLE ADJUSTMENT	5
6	138-251	PIN - THROTTLE STOP	6
7	BR230896	PIN - FLOAT HINGE	1
8	BR222010	VALVE - CHOKE	1
9	C29779	VALVE - NEEDLE	1
10	BR93357	SCREW - CARBURETOR MOUNTING	2
11	C30425	BODY ASSEMBLY - CARBURETOR	1
12	41-24	PLUG - WELCH	1
13	C25742	VENTURI - CARBURETOR	1
14	C27240	VALVE - THROTTLE	1
15	C30426	SHAFT AND LEVER - THROTTLE	1
16	BR211712	STOP - THROTTLE	1
17	BR299707	FLOAT - CARBURETOR	1
18	C27254	VALVE - FUEL INLET	1
19	BR221995	BOWL - FLOAT	1
20	BR270511	GASKET - FLOAT BOWL	1
21	BR222014	WASHER - FLOAT BOWL	1
22	BR390684	SHAFT AND LEVER - CHOKE	1
23	BR299740	NOZZLE - CARBURETOR	1
24	C29780	SCREW - NOZZLE	1
25	C33344	NUT - AIR CLEANER	1
28	C27244	LINK - CHOKE	1
29	177-97	SCREW - SEMS	1
30	C30428	ELEMENT - AIR CLEANER	1
31	C29854	KNOB - COVER	2
32	C30429	STUD - AIR CLEANER	1
33	C30430	STUD - AIR CLEANER	1
34	C30435	PRECLEANER - ELEMENT	1
35	C25760	GASKET - AIR CLEANER	1
36	C30431	WASHER - AIR CLEANER	1
37	BR261116	SPRING - CHOKE RETURN	1
38	BR270382	WASHER - CHOKE SHAFT	1
39	C25764	BRACKET - CARBURETOR MOUNTING	1
40	187-1510	SCREW	2
41	C30432	COVER - AIR CLEANER	1
42	C30433	BASE - AIR CLEANER	1
44	C30405	SEAL - THROTTLE SHAFT	1
45	C33322	SEAL - FOAM	1



KEY	PART NO.
1	C33374
2	C34538
3	C33375
4	BR231058
5	C33320
6	11-312
7	129-7
8	BR260584
9	BR221535
10	C29794
11	187-1510
12	193-25
13	129-6
14	BR222450
15	C29796
16	136-103
17	C28643
18	163-4
19	192-3

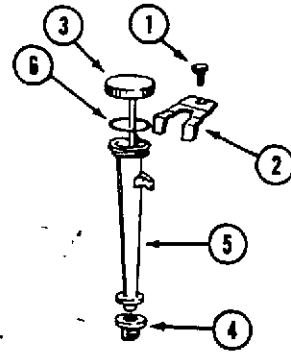
### GOVERNOR

DESCRIPTION	QTY
LINK - GOVERNOR	1
SPRING - GOVERNOR	1
BRACKET - GOVERNOR	1
CRANK - GOVERNOR	1
LEVER ASSEMBLY	1
BOLT - LEVER	1
NUT - NO. 10-24	1
SPRING - GOVERNOR LINK	1
CLAMP - CASING	1
INSULATOR ASSEMBLY	1
SCREW - MOUNTING, NO. 10-32 X 3/8" SELF TAP	1
LOCKWASHER - NO. 8	2
NUT - NO. 8-32	2
WASHER - GOVERNOR CRANK	1
WIRE - GROUND	1
PIN - COTTER HAIR PIN	1
RETAINER - "E" RING	1
SCREW - NO. 10-32 X 5/8"	1
WASHER	1

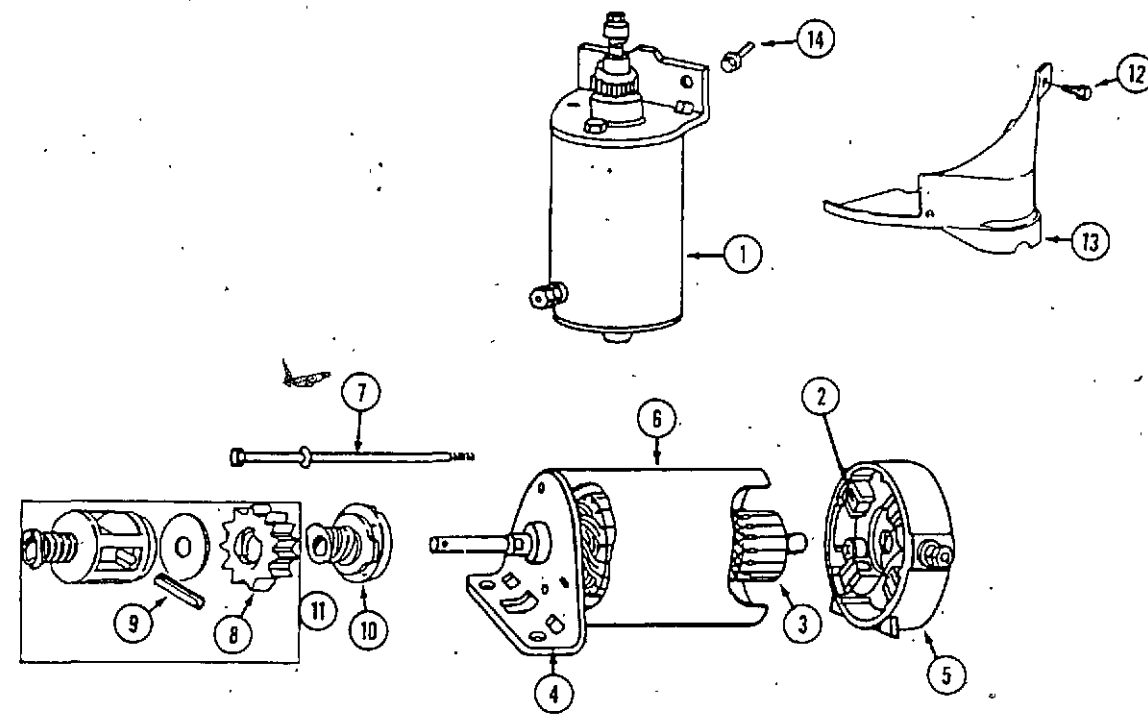
### OIL FILLER

KEY	PART NO.
1	187-1037
2	C34540
3	C34541
4	BR68838
5	C34542
6	BR270920

DESCRIPTION	QTY
SCREW - CLAMP MOUNTING	1
CLAMP - OIL FILLER TUBE	1
DIPSTICK - OIL	1
SEAL - FILLER TUBE	1
TUBE - OIL FILLER	1
SEAL - FILLER CAP	1



## STARTER



KEY	PART NO.	DESCRIPTION	QTY
1	C30438	MOTOR - STARTER, 12 VOLT	1
2	C27259	BRUSH ASSEMBLY	1
3	C30442	ARMATURE - STARTER	1
4	C30444	END CAP - DRIVE END	1
5	C27258	END CAP - COMMUTATOR END	1
6	C30445	HOUSING - STARTER	1
7	C30439	BOLT - THRU (INCLUDES WASHER)	2
8	C27422	GEAR - STARTER	1
9	138-2032	PIN - ROLL	1
10	C30406	CLUTCH - DRIVE	1
11	C30441	KIT - DRIVE RETAINER	1
12	187-1328	SCREW - NO. 8-18 X 3/8"	2
13	C30443	COVER AND SHIELD - STARTER	1
14	NSS	SCREW - MOUNTING (USE 113-102 AND 92-5)	2



## NUMERICAL INDEX

PART NO.	PAGE NO.	REF. NO.	PART NO.	PAGE NO.	REF. NO.
C35087	5	34	C35158	9	65
C35088	5	35	C35159	9	66
C35089	5	36	C35160	9	67
C35090	5	37	C35161	9	68
C35091	5	38	C35162	9	69
C35095	5	39	C35163	9	71
C35096	5	40	C35164	9	76
C35097	5	41	C35165	9	77
C35098	5	42	C35166	9	78
C35100	5	44	C35167	15	2
C35100	5	48	C35172	15	7
C35100	17	16	C35173	15	8
C35100	17	22	C35174	21	15
C35101	5	45	C35182	15	17
C35102	5	47	C35183	15	18
C35111	9	35	C35186	15	20
C35112	7	70	C35192	13	68
C35113	7	71	C35193	15	33
C35113	7	83	C35195	13	94
C35114	7	73	C35195	15	36
C35115	7	65	C35207	15	29
C35116	7	77	C35234	11	6
C35117	7	79	C35235	11	10
C35118	7	80	C35237	11	17
C35119	7	81	C35238	11	19
C35120	7	82	C35239	11	20
C35120	7	84	C35239	11	24
C35122	7	85	C35240	11	22
C35123	9	1	C35240	11	26
C35124	9	2	C35240	21	9
C35124	9	24	C35241	11	25
C35124	9	36	C35242	11	28
C35124	9	39	C35243	5	50
C35124	13	61	C35243	11	29
C35125	9	5	C35244	11	31
C35126	9	6	C35246	11	34
C35127	9	9	C35247	11	35
C35128	9	11	C35249	11	37
C35129	9	12	C35249	11	40
C35129	9	59	C35253	13	64
C35129	9	70	C35254	13	65
C35130	9	13	C35255	13	67
C35130	9	60	C35256	13	70
C35131	9	15	C35257	13	71
C35132	9	16	C35258	13	72
C35133	9	18	C35259	13	79
C35134	9	19	C35264	11	9
C35137	9	23	C35264	17	2
C35139	9	25	C35265	17	3
C35139	19	40	C35278	17	9
C35140	9	29	C35279	17	10
C35141	9	32	C35280	17	13
C35143	9	41	C35282	17	19
C35144	9	44	C35284	21	10
C35145	9	45	C35289	17	24
C35145	9	49	C35290	17	25
C35146	9	46	C35291	17	26
C35147	9	48	C35295	19	37
C35148	9	51	C35295	19	45
C35149	9	52	C35295	19	48
C35150	9	54	C35297	19	10
C35150	11	39	C35298	19	14
C35151	9	55	C35300	19	22
C35152	9	56	C35301	19	23
C35153	9	57	C35302	19	26
C35154	9	58	C35303	19	28
C35156	9	63	C35304	19	29
C35157	9	64	C35307	19	19

PART NO.	PAGE NO.	REF. NO.	PART NO.	PAGE NO.	REF. NO.
C35307	19	34	C35307	19	34
C35309	19	39	C35309	19	39
C35311	19	42	C35311	19	42
C35316	21	2	C35316	21	2
C35327	21	13	C35327	21	13
C35333	23	3	C35333	23	3
C35334	9	21	C35334	9	21
C35334	23	5	C35334	23	5
C35334	23	21	C35334	23	21
C35334	23	26	C35334	23	26
C35336	23	8	C35336	23	8
C35337	23	9	C35337	23	9
C35339	23	11	C35339	23	11
C35343	23	25	C35343	23	25
C35345	23	27	C35345	23	27
C35346	23	28	C35346	23	28
C35348	23	30	C35348	23	30
C35349	23	31	C35349	23	31
C35350	23	33	C35350	23	33
C35351	23	35B	C35351	23	35B
C35354	25	6	C35354	25	6
C35357	25	8	C35357	25	8
C35359	25	11	C35359	25	11
C35360	25	12	C35360	25	12
C35361	25	13	C35361	25	13
C35362	25	15	C35362	25	15
C35363	25	16	C35363	25	16
C35365	25	17	C35365	25	17
C35368	27	7	C35368	27	7
C35369	27	9	C35369	27	9
C35373	21	37	C35373	21	37
C35374	5	12	C35374	5	12
C35375	5	13	C35375	5	13
C35375	15	15	C35375	15	15
C35377	5	30	C35377	5	30
C35379	5	33	C35379	5	33
C35380	5	43	C35380	5	43
C35381	5	49	C35381	5	49
C35382	5	53	C35382	5	53
C35388	9	22	C35388	9	22
C35390	15	3	C35390	15	3
C35391	15	4	C35391	15	4
C35392	15	5	C35392	15	5
C35393	15	11	C35393	15	11
C35394	15	12	C35394	15	12
C35395	15	13	C35395	15	13
C35396	15	14	C35396	15	14
C35397	15	16	C35397	15	16
C35398	15	19	C35398	15	19
C35399	15	24	C35399	15	24
C35400	15	25	C35400	15	25
C35401	15	26	C35401	15	26
C35402	15	27	C35402	15	27
C35403	15	28	C35403	15	28
C35404	15	34	C35404	15	34
C35426	11	32	C35426	11	32
C35433	13	60	C35433	13	60
C35435	13	87	C35435	13	87
C35437	13	92	C35437	13	92
C35439	17	4	C35439	17	4
C35440	17	5	C35440	17	5
C35441	17	6	C35441	17	6
C35442	17	7	C35442	17	7
C35443	17	8	C35443	17	8
C35444	17	14	C35444	17	14
C35445	17	15	C35445	17	15
C35446	17	20	C35446	17	20
C35447	17	23	C35447	17	23

## NUMERICAL INDEX

PART NO.	PAGE NO.	REF. NO.	PART NO.	PAGE NO.	REF. NO.
C35449	19	18	C35449	19	18
C35450	19	36	C35450	19	36
C35451	19	44	C35451	19	44
C35452	19	47	C35452	19	47
C35453	19	50	C35453	19	50
C35454	21	4	C35454	21	4
C35455	21	5	C35455	21	5
C35456	21	8	C35456	21	8
C35457	21	11	C35457	21	11
C35458	21	12	C35458	21	12
C35459	21	16	C35459	21	16
C35460	21	19	C35460	21	19
C35461	21	21	C35461	21	21
C35462	21	22	C35462	21	22
C35463	21	28	C35463	21	28
C35464	21	31	C35464	21	31
C35465	21	32	C35465	21	32
C35466	21	33	C35466	21	33
C35468	23	24	C35468	23	24
C35469	23	29	C35469	23	29
C35472	25	7	C35472	25	7
C35474	25	9	C35474	25	9
C35550	7	64	C35550	7	64
C35551	7	74	C35551	7	74
C35552	11	2	C35552	11	2
C35553	11	5	C35553	11	5
C35554	11	36	C35554	11	36
C35555	13	84	C35555	13	84
C35556	13	90	C35556	13	90
C35557	15	23	C35557	15	23
C35558	19	1	C35558	19	1
C35559	23	1	C35559	23	1
C35560	25	4	C35560	25	4
C35561	25	5	C35561	25	5
C35562	25	10	C35562	25	10
C35563	25	14	C35563	25	14
C35564	27	2	C35564	27	2
C35566	27	8	C35566	27	8
C35567	27	1	C35567	27	1
C35568	5	51	C35568	5	51
C35640	23	20	C35640	23	20
C35798	19	21	C35798	19	21
011-312	37	6	011-312	37	6
041-24	35	12	041-24	35	12
129-6	37	13	129-6	37	13
129-7	37	7	129-7	37	7
136-103	37	16	136-103	37	16
138-251	35	6	138-251	35	6
138-2032	39	9	138-2032	39	9
163-4	37	18	163-4	37	18
177-97	35	29	177-97	35	29
182-84	33	4	182-84	33	4
182-87	35	4	182-87	35	4
182-90	33	10	182-90	33	10
182-549	33	16	182-549	33	16
187-1037	37	1	187-1037	37	1
187-1328	39	12	187-1328	39	12
187-1508	31	7	187-1508	31	7
187-1510	35	40	187-1510	35	40
187-1510	37	11	187-1510	37	11
192-3	37	19	192-3	37	19
193-25	33	5	193-25	33	5
193-25	33	11	193-25	33	11
193-25	37	12	193-25	37	12
221-843	31	11	221-843	31	11