

SPECIFICATIONS:

Impedance: 50 Ohm

Frequency: DC-40 GHz

Operating temp. : -65°C - +125°C

Standard dB Values: 3, 6, 10, 20, & 30dB

Input Power: 2 Watts Avg. @ 25° C

Derated Linearly to 0.1 watts @ +125°C

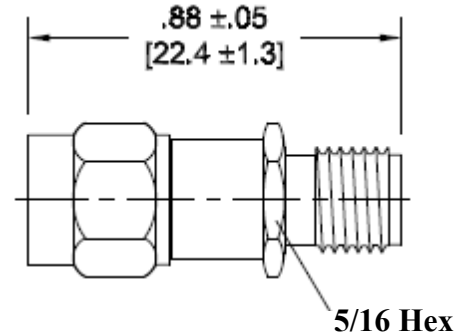
Attenuation Accuracy: <u>DC - 26.5 GHz</u>	<u>26.5 - 40 GHz</u>
3 & 6 dB: ±0.5 dB	±0.8 dB
10, 20 & 30 dB: ±0.6 dB	±1.0 dB

VSWR: DC-18 GHz 1.30:1 Max.
18-40 GHz 1.40:1 Max.

2.9mm Connectors mate both mechanically & electrically with all SMA, K*, & 3.5mm connectors.

* K is a trademark of Anritsu/Wiltron Corp.

Part	Material	Plating
2.9mm Connectors*	Stainless Steel	Passivated
Center Contacts	Beryllium Copper	Gold



Dimensions are for reference only, and are subject to change without notice.



Premier RF
17 Roslyn CT
Patchogue, NY 11772
PH: 631-447-3804
sales@premierf.com
www.premierf.com

9/19/2012
APPROVED
A. Ianacci

PART NUMBER
DESCRIPTION

PRF-AT10H240-XX
2.9MM ATTENUATOR, M/F HEX BODY,DC-40 GHz, 2 WATT