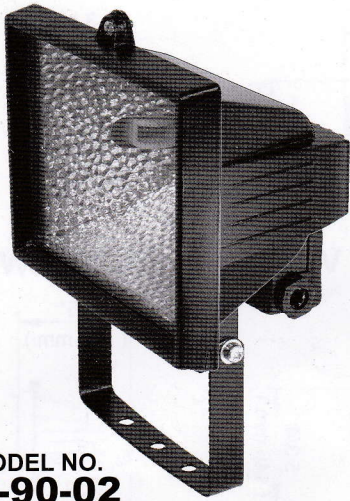
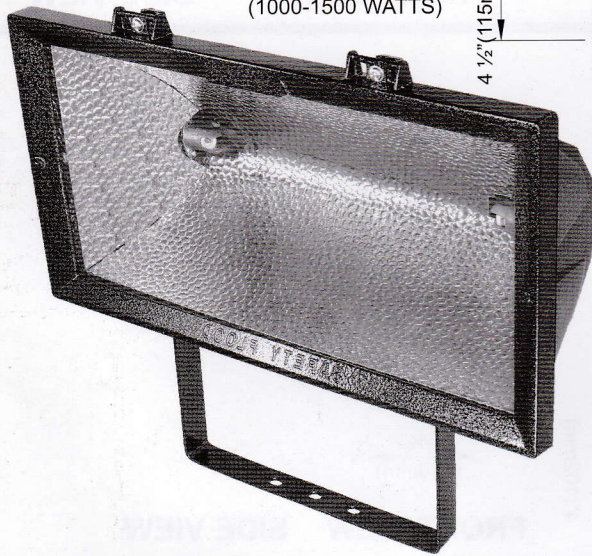
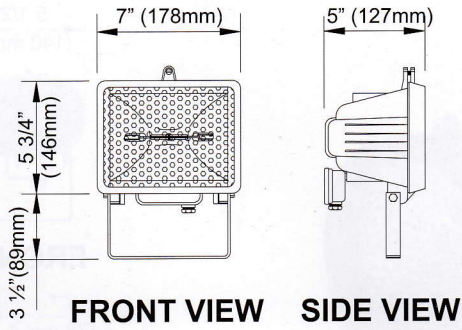


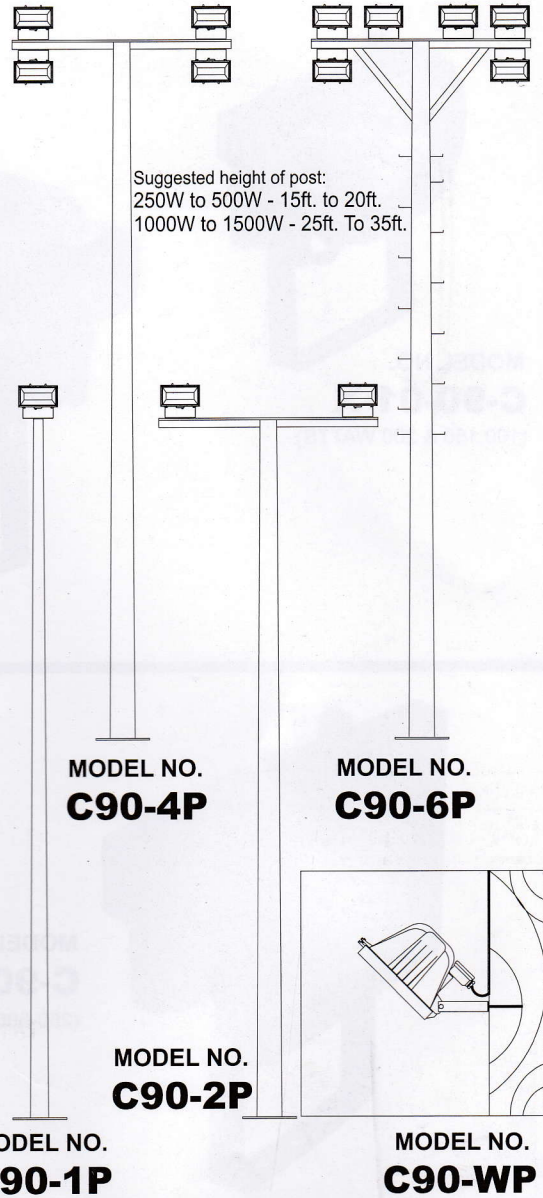
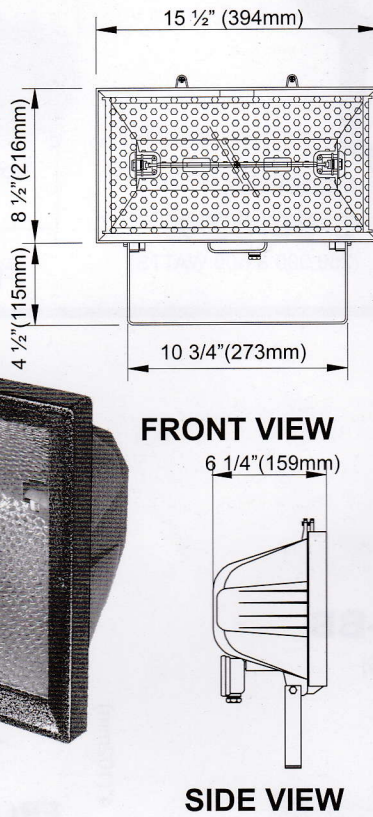
AMCO ALUMINUM DIE-CAST HALOGEN FLOODLIGHT WITH STEEL TAPERED LAMP POST



MODEL NO.
C-90-02
(250-500 WATTS)



MODEL NO.
C-90-05
(1000-1500 WATTS)



MODEL NO.
C-90/02-B (250-500 WATTS)

