

HEALTHCARE FURNITURE SOLUTIONS EXAMINATION SEATING



HEALTHCARE FURNITURE SOLUTIONS

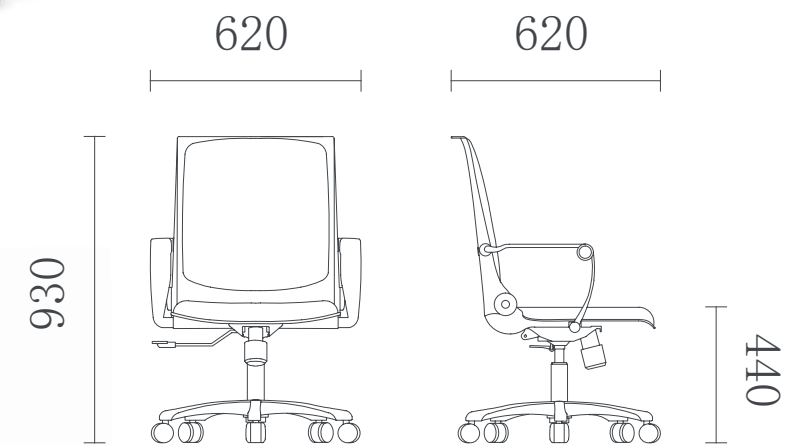
Seating solutions designed to support clinical workflows, combining comfort, durability, and ease of use for both medical staff and patients.



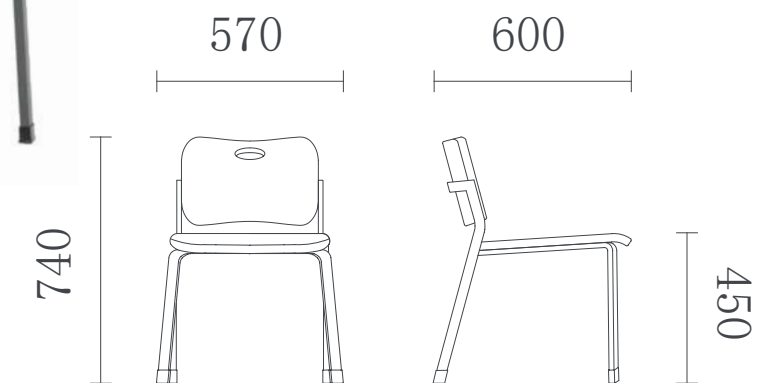
CONSULTING ROOM



LJ-SY0050



LJ-RY0033-3



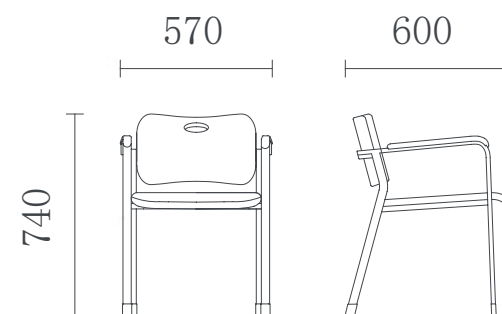
Patient chair

Blue is a symbol of strong vitality, in line with the theme of the hospital, symbolizing helping patients get rid of disease pain and recover their health as soon as possible, and immersing themselves in a new life, work, and study with a state of full blood resurrection.

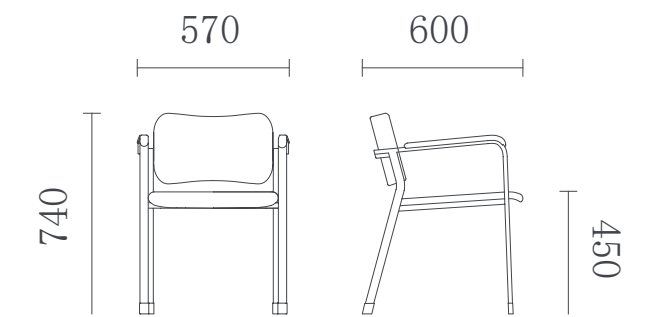
Blue can also enhance the overall visual sense of the space and create a natural and peaceful medical environment.



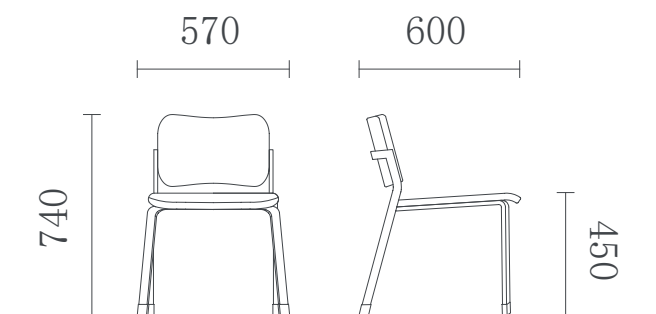
LJ-RY0033-1



LJ-RY0033



LJ-RY0033-2



Patient chair

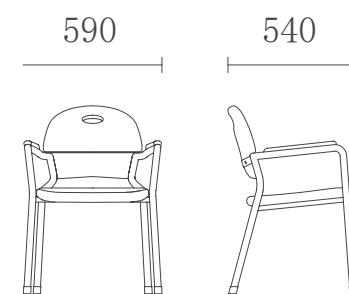
Blue is a symbol of strong vitality, in line with the theme of the hospital, symbolizing helping patients get rid of disease pain and recover their health as soon as possible, and immersing themselves in a new life, work, and study with a state of full blood resurrection. Blue can also enhance the overall visual sense of the space and create a natural and peaceful medical environment.



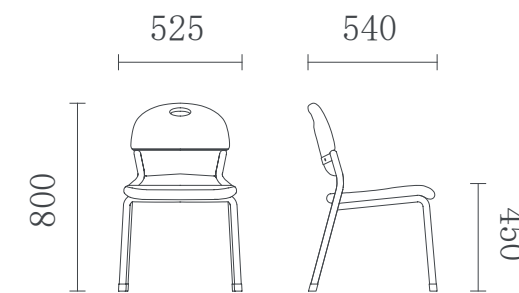
Stackable



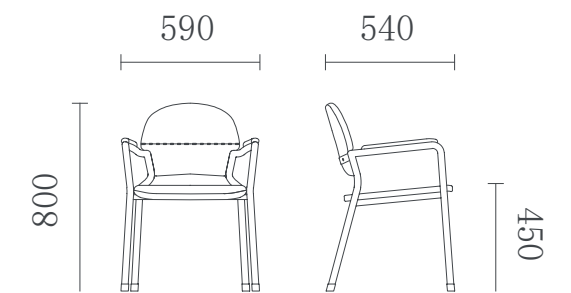
LJ-RY0035-1



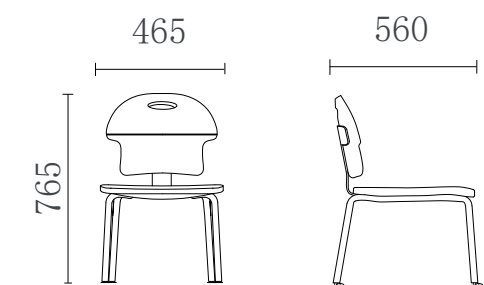
LJ-RY0035



LJ-RY0035-2



LJ-RY0115



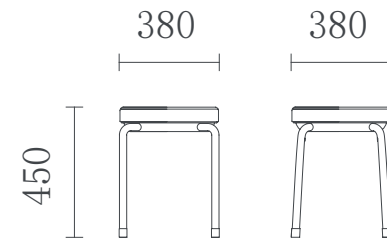
Patient chair

The patient chairs are designed with no obstructions (no armrests) according to usage needs, making it convenient for doctors to inspect patients at any angle.

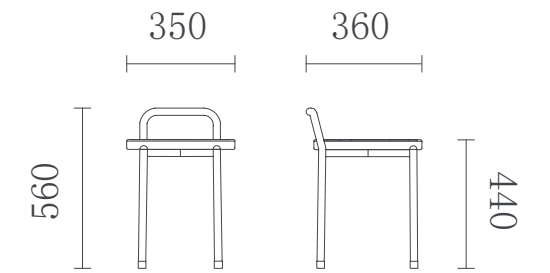
The extension of the round stool backrest provides support for the patient's waist and alleviates discomfort. The square stool has an additional backrest and a recessed design, greatly improving the patient's medical experience. Both models can be stacked, which saves space and facilitates management when not in use.



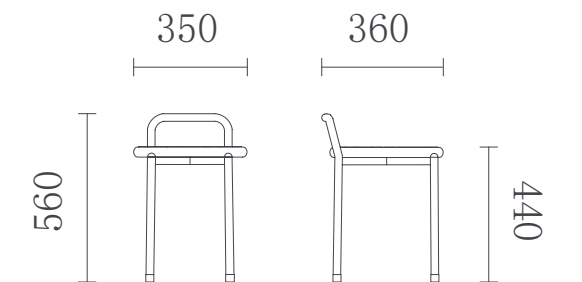
LJ-RY0056-1



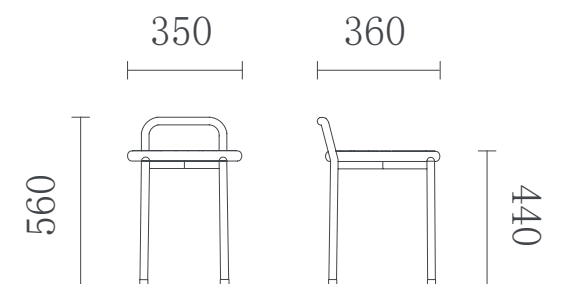
LJ-RY0006-1



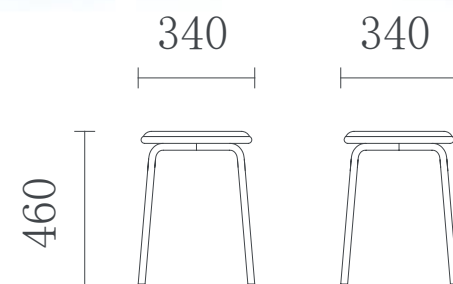
LJ-RY0006-2



LJ-RY0006-3



LJ-RY0036-1

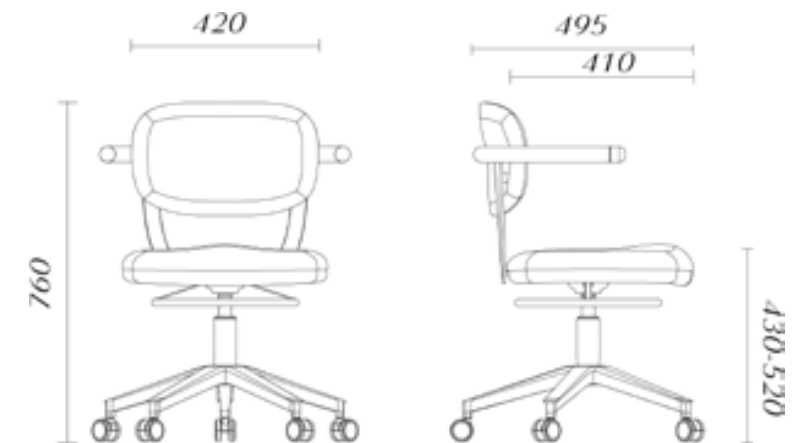


Doctor chair

The whole seat is designed according to the ergonomic principle, providing good support for the waist and back, and alleviating the fatigue brought by long hours of work. The cushion and backrest are designed to conform to the curve of the human body, providing a comfortable feeling of sitting and improving the work efficiency and comfort of medical staff. The seat and backrest are made of professional medical leather with excellent wear resistance and antibacterial properties.



LJ-RY0098





Doctor chair

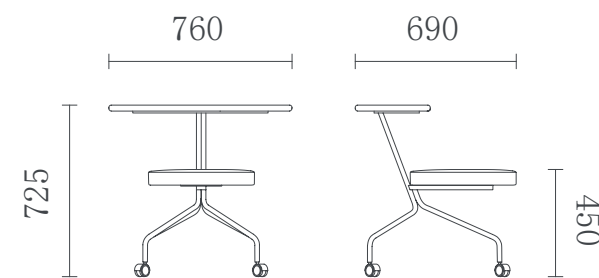
The product is designed according to ergonomics as a whole, with a backrest tilted at 35 and fitted to the back. The backrest is designed in a circular arc shape, which is reliable for use as a back, hand, and writing pad. It can meet various application scenarios such as meetings, consultations, and negotiations.



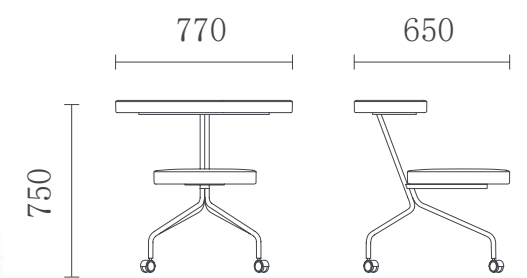
The semicircular backrest paired with a unique four-leg design can serve as a cushioned back support or be used as a tray for patients during infusion or blood draws, truly achieving multi-scenario use with a single item.



The hardboard can be used as a backrest or as a writing board during meetings.



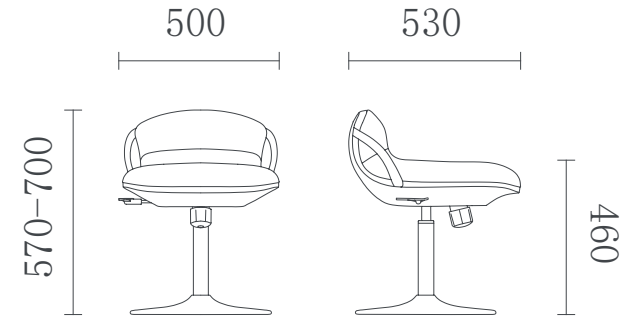
LJ-RY0080-1



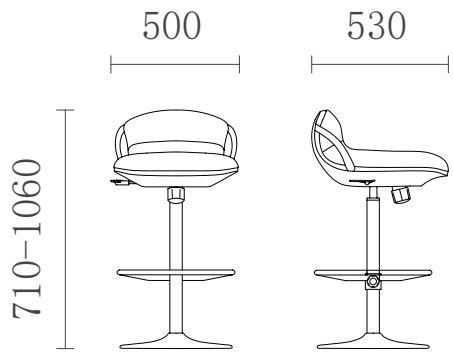
LJ-RY0080

Nurse station chair

Without armrest obstruction, the height can be adjusted arbitrarily, and the fixed base of the bar tray is easy to manage. It is suitable for various window receptions (two heights can be selected according to different scenarios).



LJ-RY0021



LJ-RY0021-1

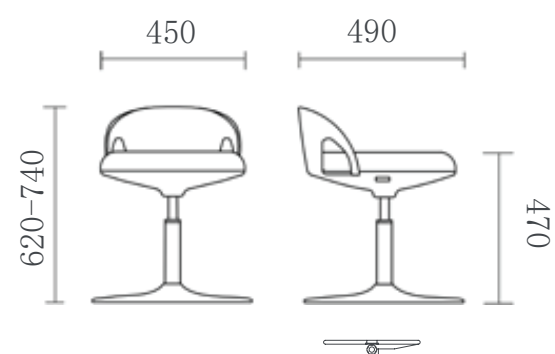


Nurse station chair

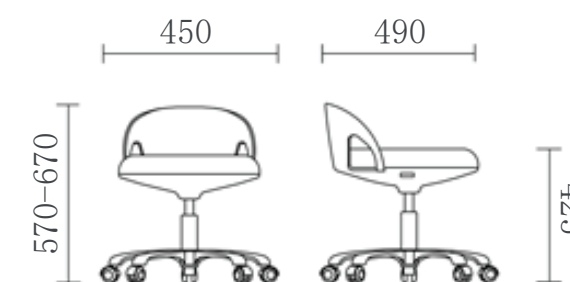
No armrest obstruction, height adjustable, suitable for use in relatively compact spaces such as nursing stations and duty rooms.



LJ-RY0103-1



LJ-RY0103-2



LJ-RY105-3

W450×D500×H895



LJ-RY105-2

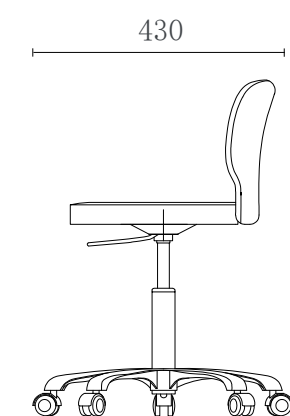
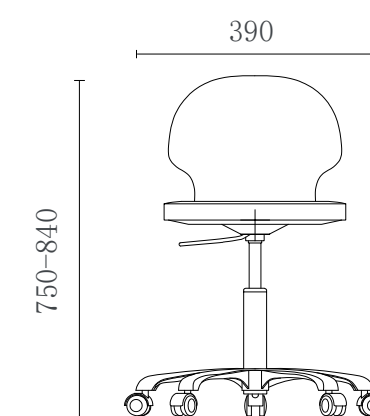
W450×D500×H600



Nurse station chair



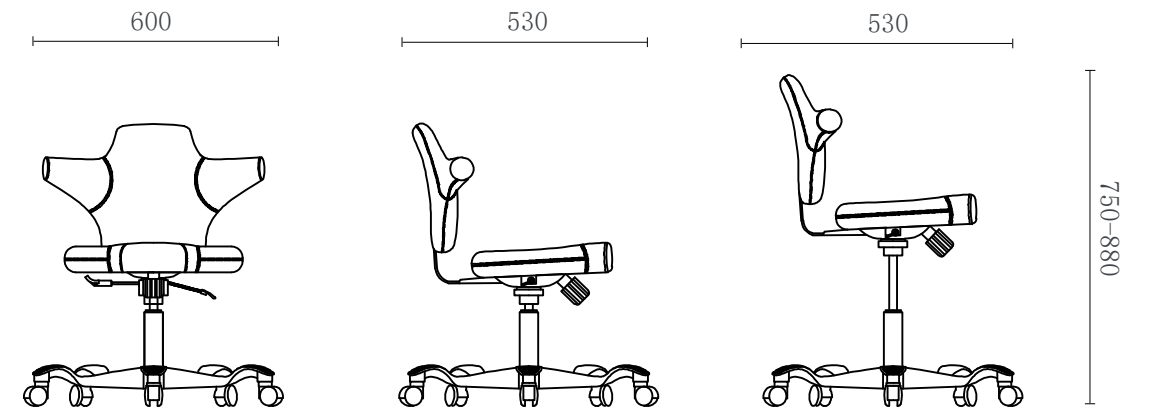
LJ-RY0057



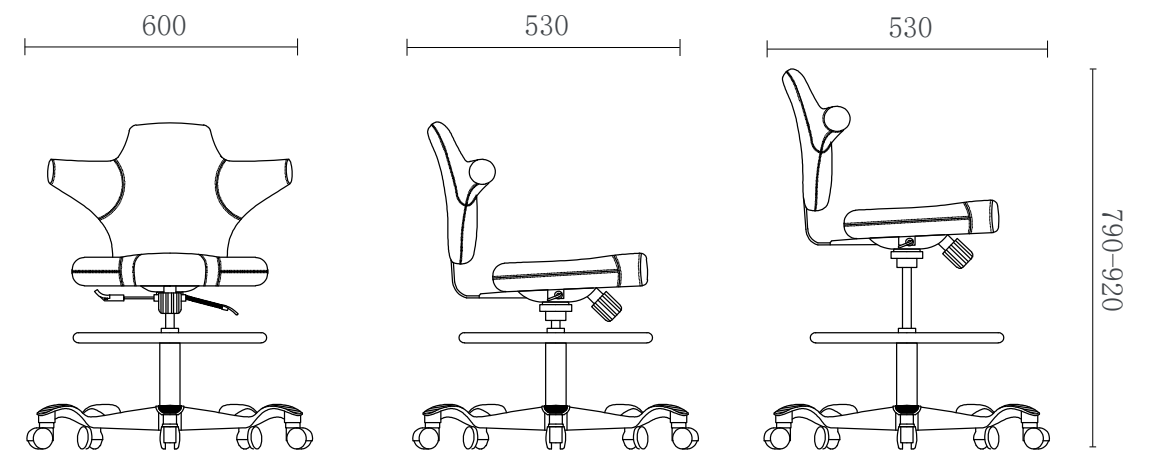
Doctor chair



LJ-RY0135-1



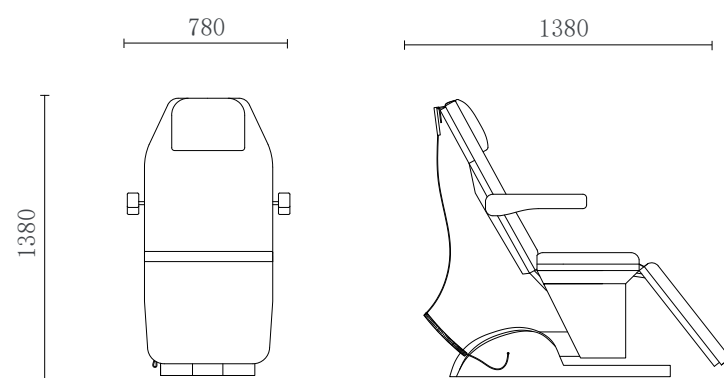
LJ-RY0135



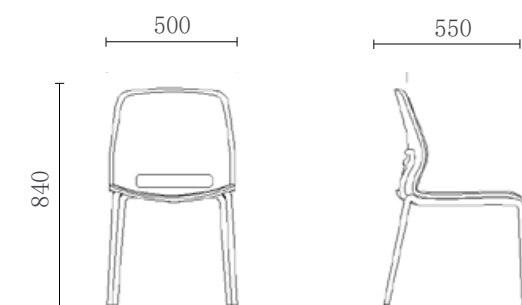


Electric function

LJ-Z0162



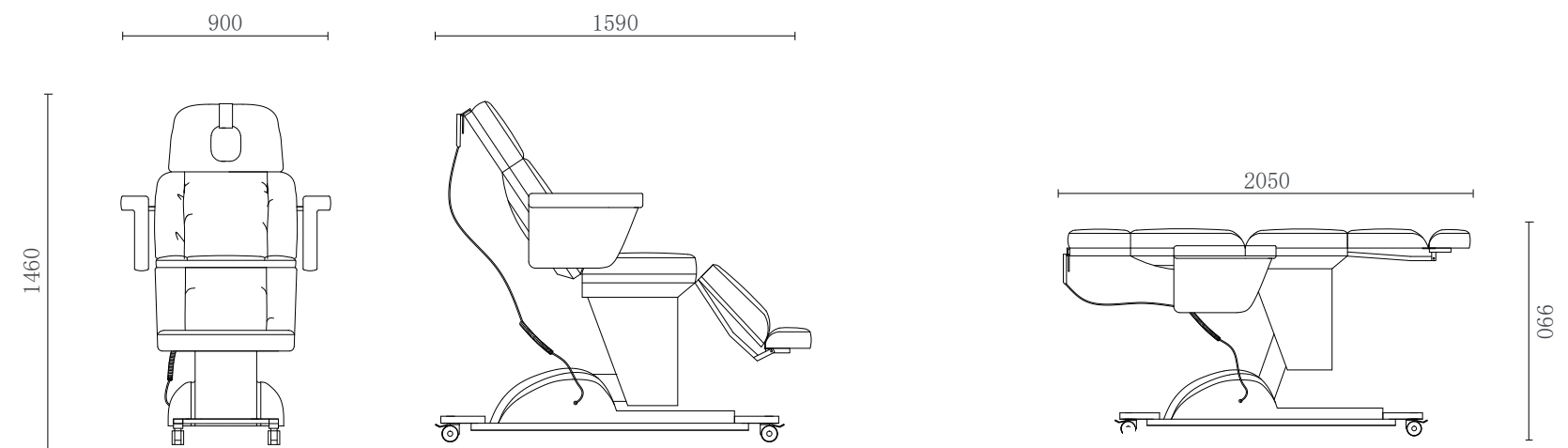
LJ-RY0108



Electric treatment bed



Electric function



LJ-Z0166



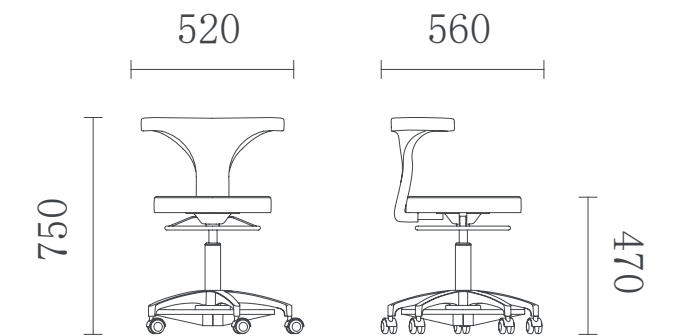
Dental chair

Adopting a simple and unobstructed design, the backrest is designed as a full surround (doctor's chair) and a half surround (assistant chair) according to actual needs, ensuring good support for the back without affecting the doctor's surgical operations.

Doctor Chair



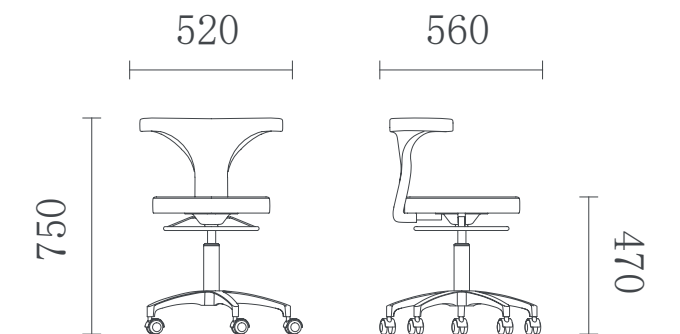
LJ-RY0019



Operator Chair



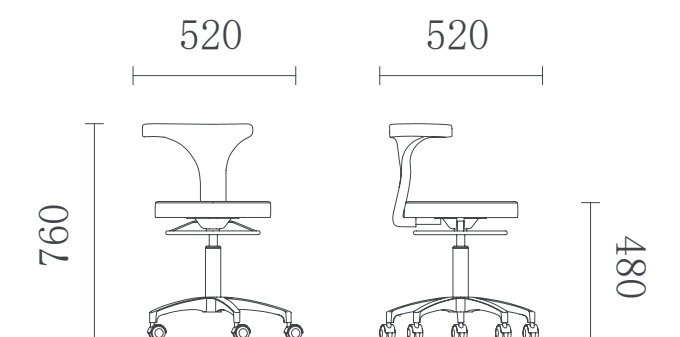
LJ-RY0018-1



Assistant Chair

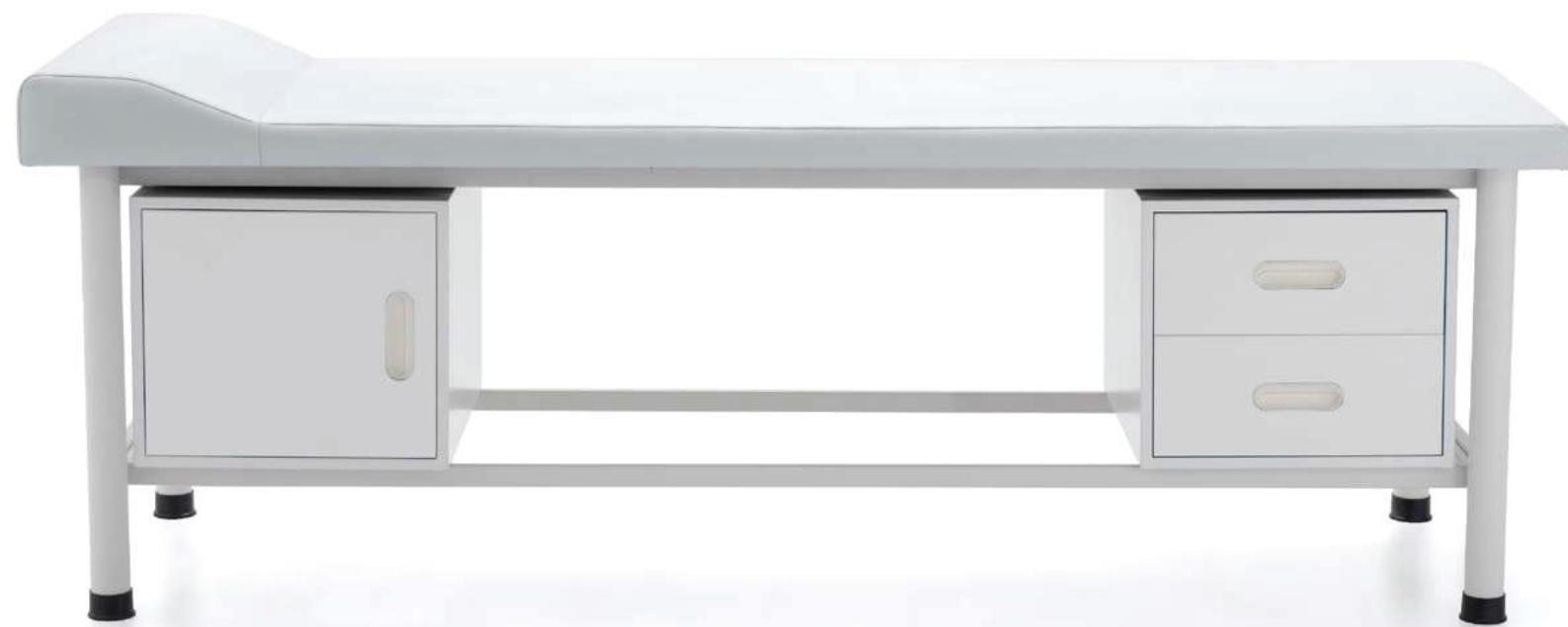


LJ-RY0018



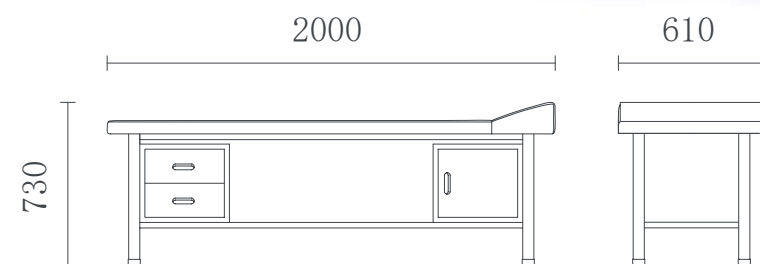
Examination bed

The soft bag is designed based on ergonomic principles to meet the various needs of doctors when examining patients. Different shapes meet the needs of different clinics and are suitable for general outpatient examination rooms, physical therapy rooms, etc.

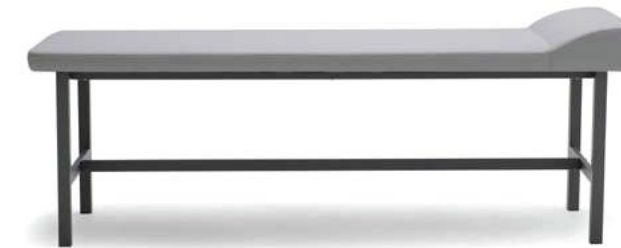
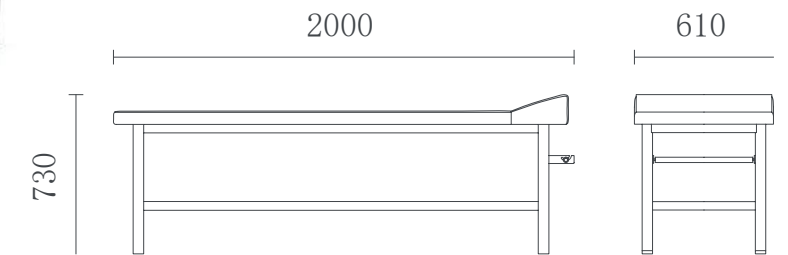


Examination Bed with Headrest

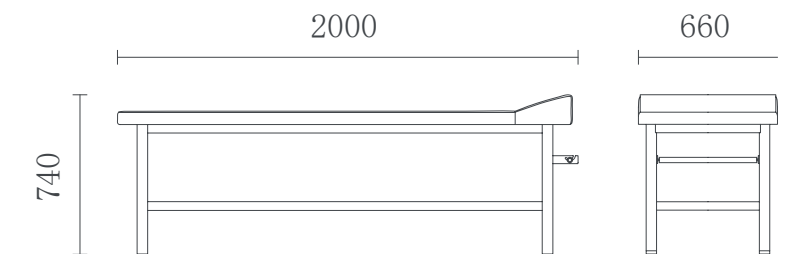
LJ-Z0055-2



LJ-Z30359



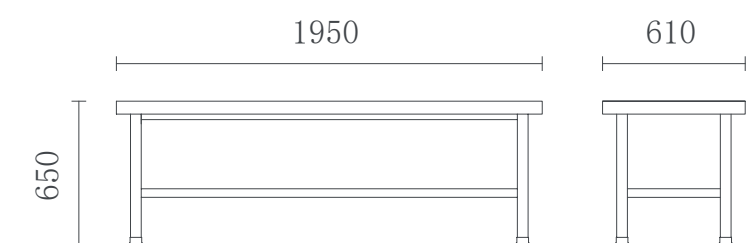
LJ-Z0176



Examination Bed Without Headrest



LJ-Z0005



Examination bed



Electric function

Adjustable height

②

①

Adjustable backrest angle

LJ-Z0169

50°

Height range:300mm

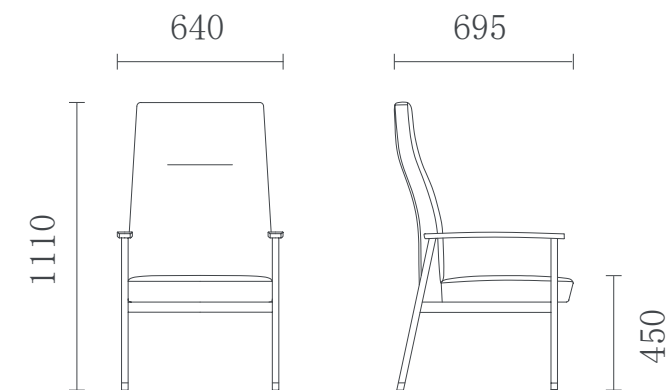
520-810

1900

1900

610

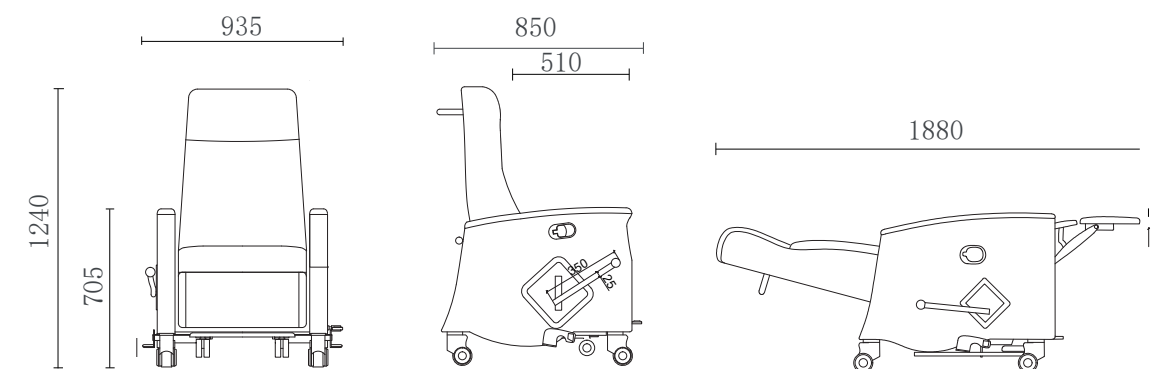




LJ-H526



LJ-FY0053



Glitter 101 Manual Version

Operating procedure:



Press the red brake pedal to lock all four wheels (green pedal to release).



Rotate the right handle backward to open the footrest (forward to close).



Recline the backrest to 170° by adjusting the lever (re-adjust to return upright).



①



②



③



Step on the pedal to achieve the negative-angle position (step again to restore).



Pull the side release lever to open the left armrest for patient assistance.



The rear handle allows easy pushing and maneuvering.



Pull out the footboard when returning the chair upright to support the patient's feet.



④



⑤



⑥

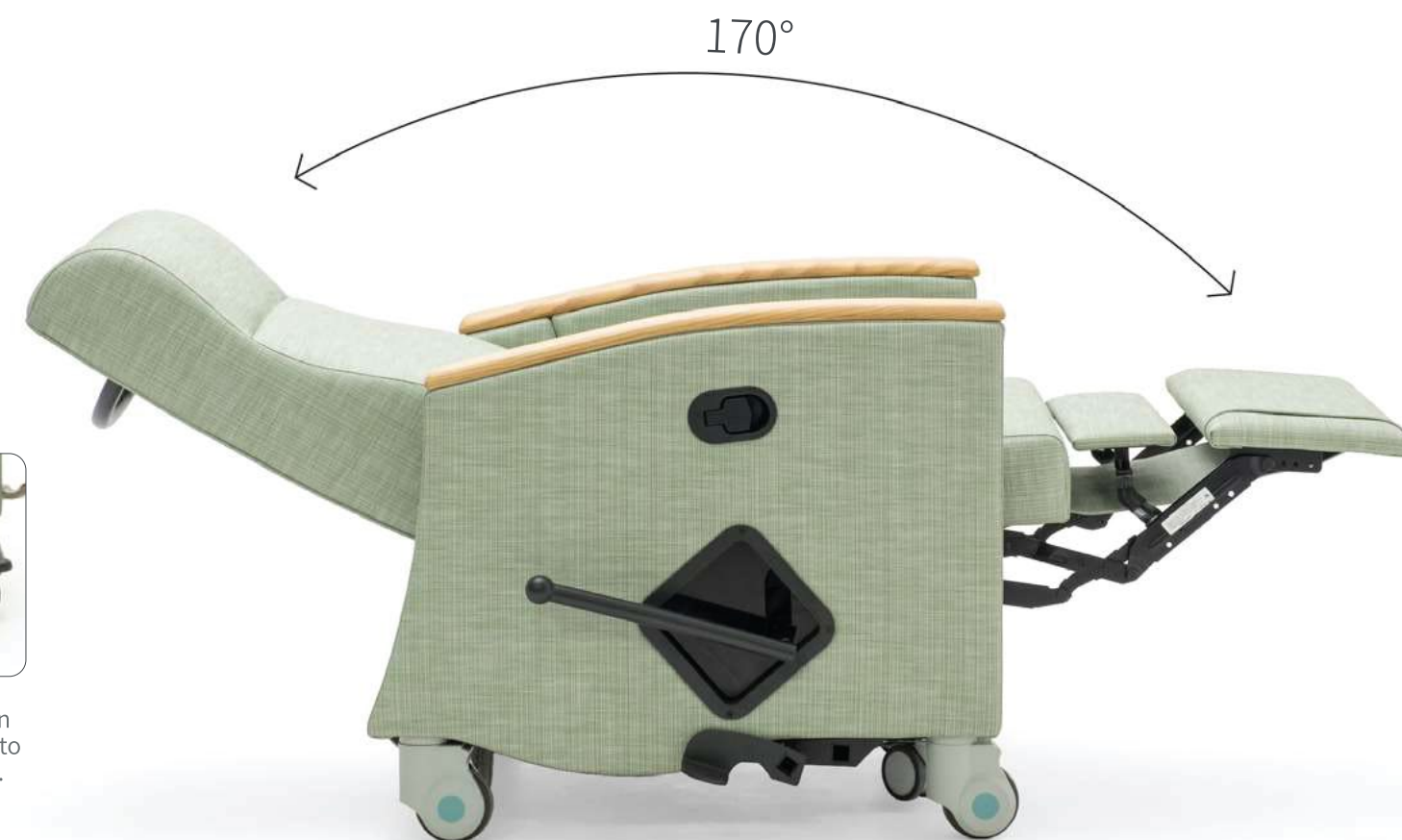


⑦

- 1、 Centralized braking system allows one-step locking of all four wheels for safe and easy patient transfer.
- 2、 The backrest reclines up to 160° , and the footrest extends to a flat position, meeting the needs of medical examination and treatment.
- 3、 The entire chair can tilt to a negative angle (legs higher than head) for leg wound care or treatment convenience.
- 4、 Left armrest can be folded down for caregivers to assist patients when getting on or off the chair.
- 5、 A retractable front foot board provides leg support during transfer. This versatile chair supports medical consultation, wound care, mobility, infusion, patient transfer, and family companion use, ideal for special care wards.

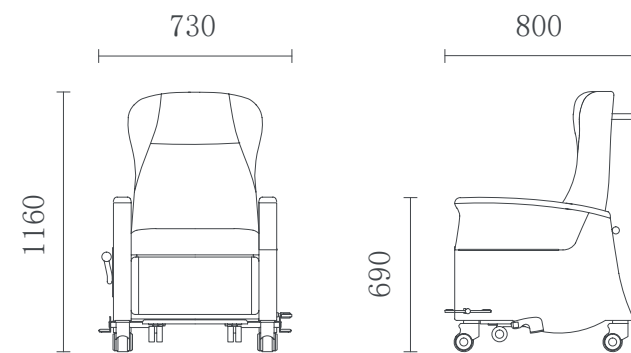


Electric function

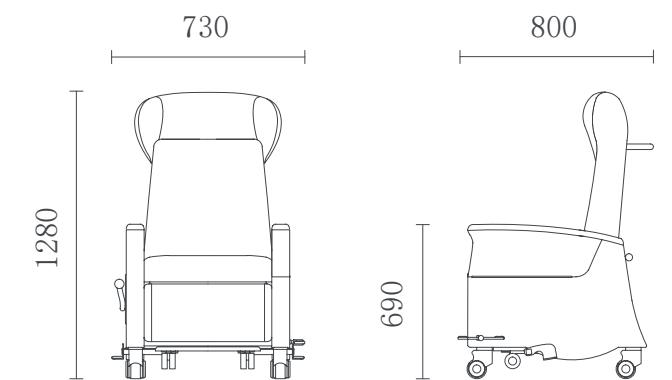


LJ-FY0053

Glitter 101 Manual Version



LJ-FY0090



LJ-FY0090-1

Glitter 201 Electric version



Electric function

EFFICIENT AND ORDERLY CARING SERVICE

In order to improve the diagnosis and treatment effectiveness of medical care and the service experience of patients, the people-oriented design concept integrates various unique and diverse medical furniture into the environment, and adopts flexible and variable medical furniture to establish a clean, reasonably arranged, and efficient service system, improving doctor-patient satisfaction and enhancing medical efficiency.

Operating procedure:



Press the red pedal to lock all four wheels (green to release).



Press both buttons to extend or retract the footrest.



Press both buttons to recline the backrest to 170°.



Step on the pedal to achieve the negative-angle position (step again to restore)



①



②



③



④



Pull the side release lever to open the left armrest for patient assistance.



The rear handle allows easy pushing and maneuvering.



Pull out the footboard when returning the chair upright to support the patient's feet.



⑤



⑥



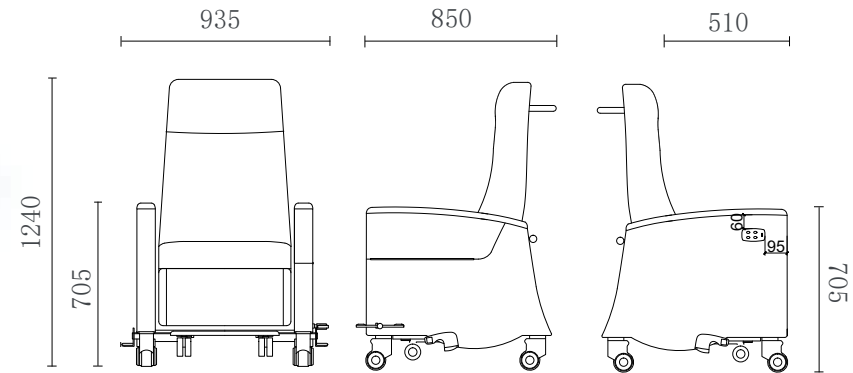
⑦



⑧



LJ-FY0088





Fabric

1. Excellent corrosion resistance, UV disinfection resistance and anti-aging performance

The corrosion resistance of medical cleaning agents and disinfectants (glutaraldehyde, phenol concentrate, bleach, quaternary ammonium chloride+methanol, isopropanol, hydrogen peroxide, ANDEFU, etc.) that meet the hospital's hospital sense requirements is more than 650 hours, and has excellent ultraviolet disinfection resistance and anti-aging performance.

2. High wear resistance and durability

The fabric has a durability period of more than 3 years, and the wear resistance of Martindale reaches over 100000 times, making it very suitable for high-frequency usage density in public places such as hospitals.

3. Anti mold, antibacterial, anti harmful microorganisms, and antiviral properties

Conforming to ASTM D4576 and ASTM G21-13 level 0 standards, it reduces the presence of coronavirus by more than 90%, and its activity against coronavirus by 99.9%. It has a 99% killing effect on Staphylococcus aureus (MRSA), Escherichia coli, and Klebsiella pneumoniae.

4. Equipped with 100% waterproof and impermeable ability

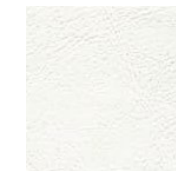
The experimental hydrostatic pressure test reaches over 500mm.

Hardware

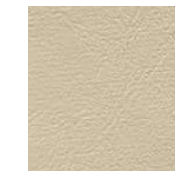
High quality cold rolled steel pipes and plates, with electrostatic powder spraying on the surface, good adhesion, corrosion resistance, and high wear resistance.

304 stainless steel, surface polished and brushed, wear-resistant and corrosion-resistant.

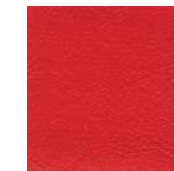
PU Swatches



DX503



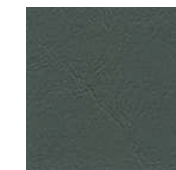
DX409



DX1007



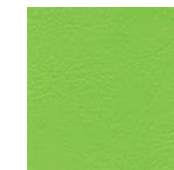
DX410



DX411



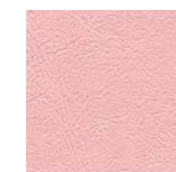
DX975



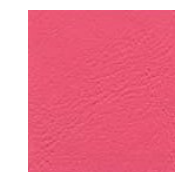
DX976



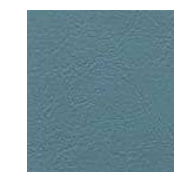
DX977



DX978



DX979



DX850



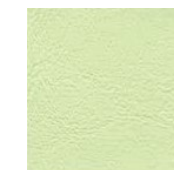
DX981



DX980



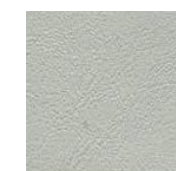
DX982



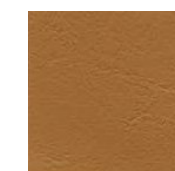
DX993



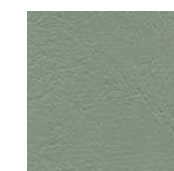
DX1352



DX1332



DX1359



DX1302

Contact us :
+966 92000 7575
www.alismail.com

Alismail
السماعيل للصناعة
Alismail Industrial


IRONMASTER