

Pump Data

- SH 5 HP 6-5/8 Imp, 1 Stage Centrifugal Pump
- 316L SS Corrosion Resistance Construction
- Built-In Overload / Auto-Reset Provided
- 23 amp 230V Single Phase UL Motor
- 1-1/2 F NPT Suction

Pump Flow

(not for certification use)

GPM	0	30	40	60	80	100
PSI	71	68	67	63	55	52

Components

A - 1-1/2 F NPT Galvanized Riser

B - Suggestion

■ - Water Pressure Gauge

D - D Panel Control Box

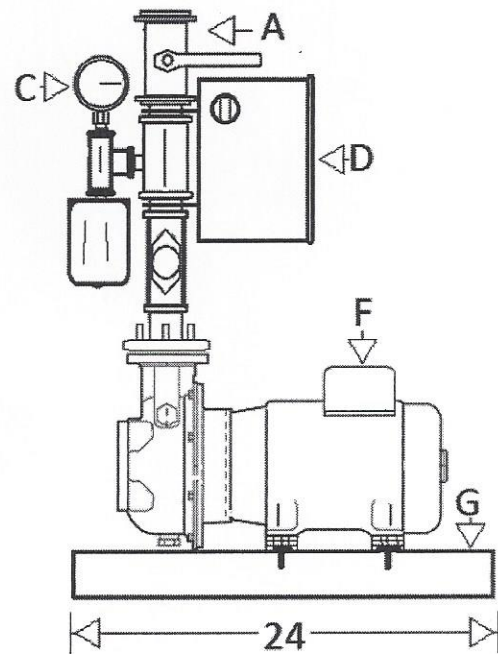
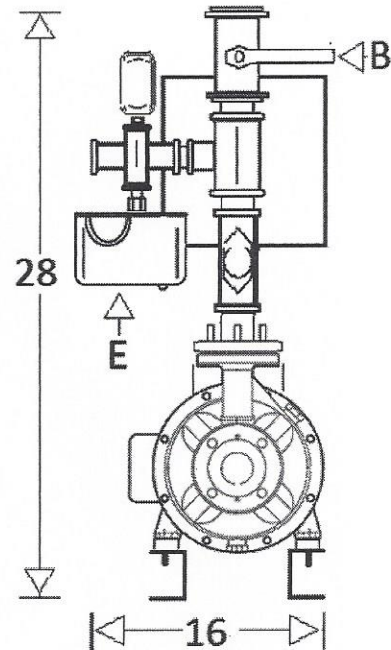
E - 40 60 Pressure Switch

F - SH5 HP UL Motor with Pump

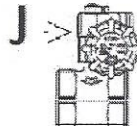
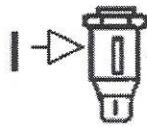
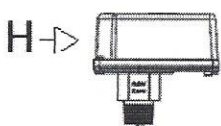
G- Elevated on Steel Frame

*Wirin

Model P-SH502-PS



- H -Flow Switch (+7 H)
- I-Bypass Line with Backflow Preventer (+4W)
- J- Butterball Valve



*Note: all measurement in inches