

MAXI RAIL



Residential & Commercial

Stock sections and components make it fast and economical.



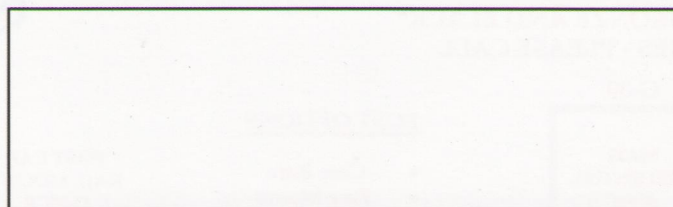
Fully adjustable to any angle. Suitable for level, stair, and ramp applications.

Engineered to meet building codes for fall protection.*



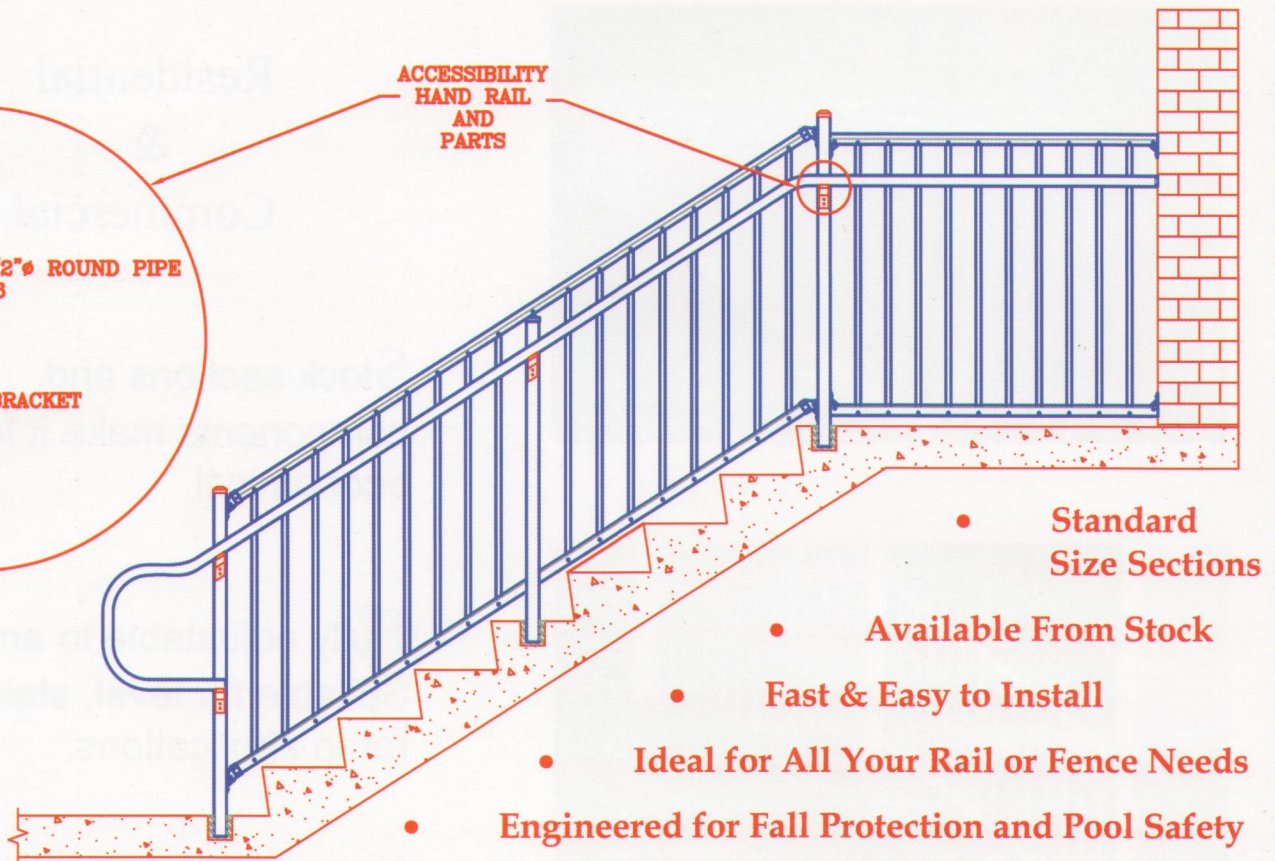
Fabricated from pre-finished aluminum extrusions for years of maintenance free protection.

* This is an engineered rail system designed to meet 2004 Florida Building Code 1607.7 when commercial post and internal screws are used. (Design criteria must be met)



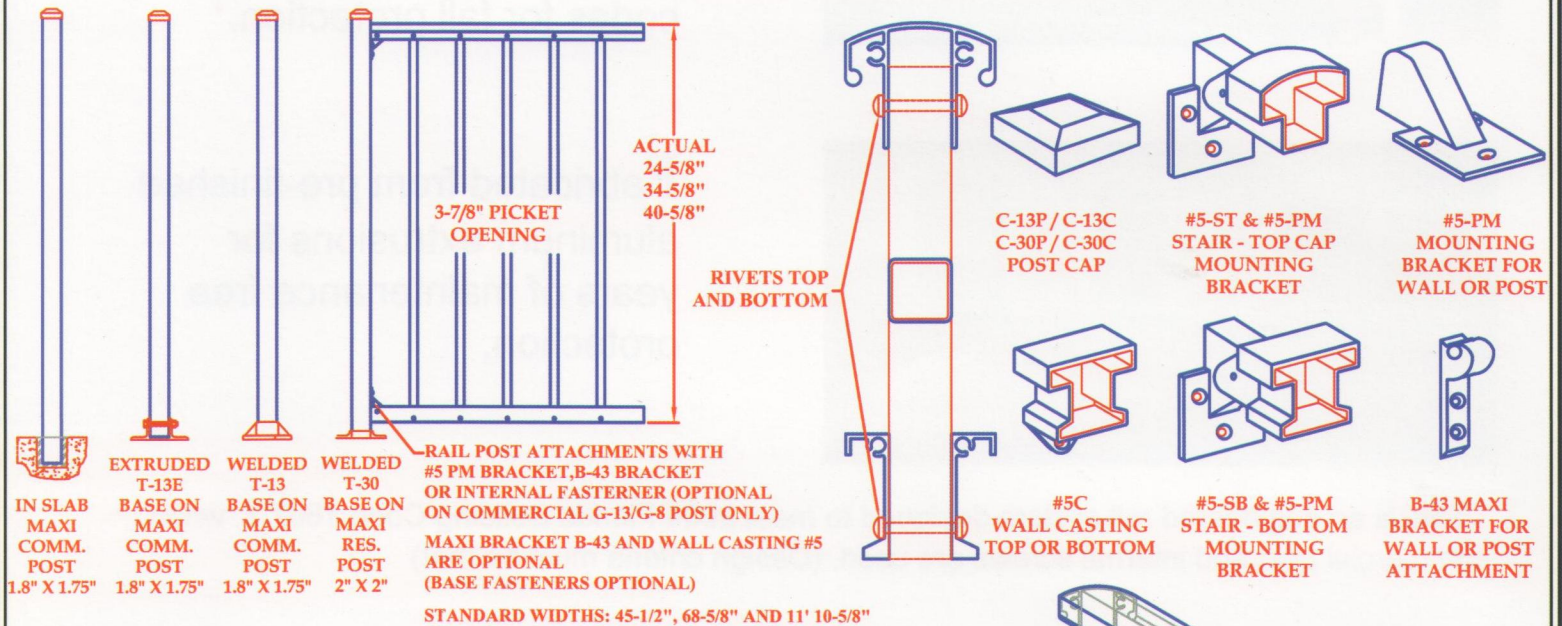
MAXI RAIL

RAIL ADJUSTS TO ANY ANGLE

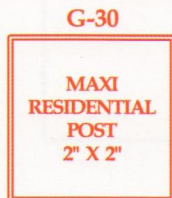


- Standard Size Sections
- Available From Stock
- Fast & Easy to Install
- Ideal for All Your Rail or Fence Needs
- Engineered for Fall Protection and Pool Safety

MAXI RAIL AND PARTS



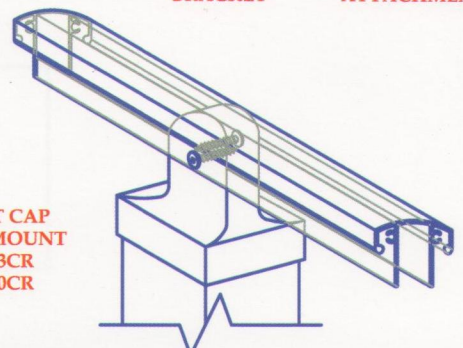
AVAILABLE IN WHITE, BRONZE AND BLACK*
 * LIMITED QUANTITIES - PLEASE CALL



POST OPTIONS

- Core Bore
- Face Mount
- Welded Base
- Extruded Base

POST CAP
 RAIL MOUNT
 C-13CR
 C-30CR



(Check with your local Building Department for Code and Accessibility Requirements)