

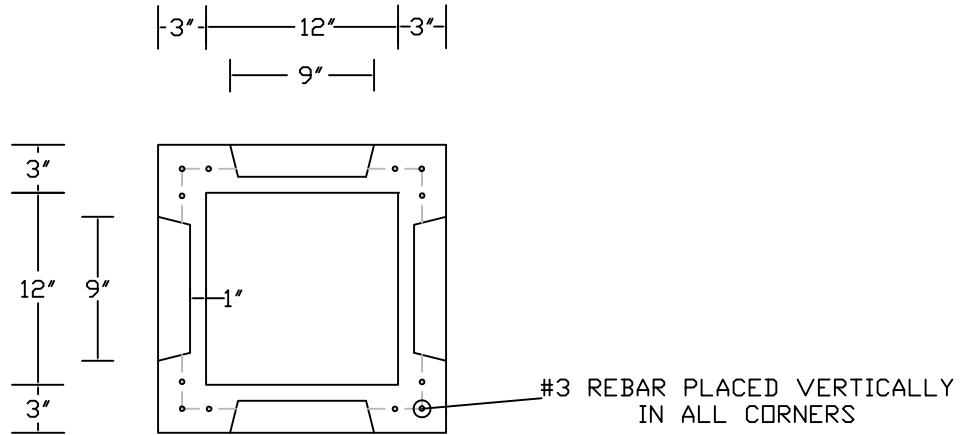
**PEERLESS CONCRETE PRODUCTS CO.**  
*SINCE 1959*

**INDEX**

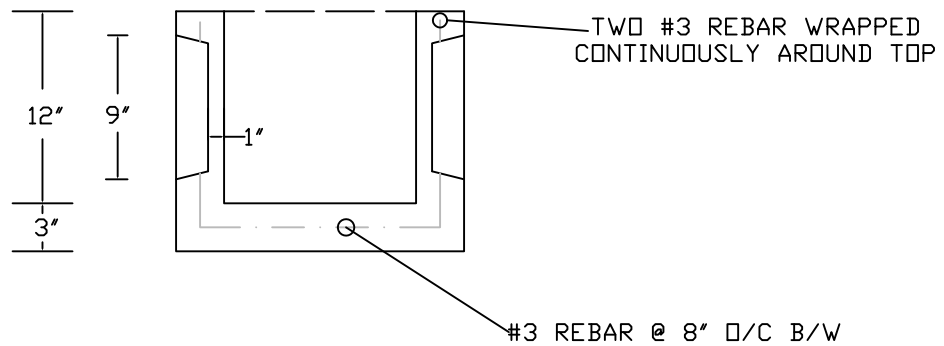
<b>ITEM</b>	<b>PAGE</b>
<b><u>Section C</u></b> - <i>Catch Basins (Index)</i>	C-1
12" X 12" Catch Basin	C-2
18" X 18" Catch Basin	C-3
24" X 24" Catch Basin	C-4
New Jersey Inlet Type "A"	C-5
New Jersey Inlet Type "B/E"	C-6
New Jersey Inlet Type "C/D"	C-7
6' X 6' Catch Basin with Top Slab	C-8
Catch Basin Base Slab	C-9

# PEERLESS CONCRETE PRODUCTS CO.

—SINCE 1959—



PLAN VIEW



SECTION VIEW

## 12" X 12" CATCH BASIN (AS BUILT BY PEERLESS)

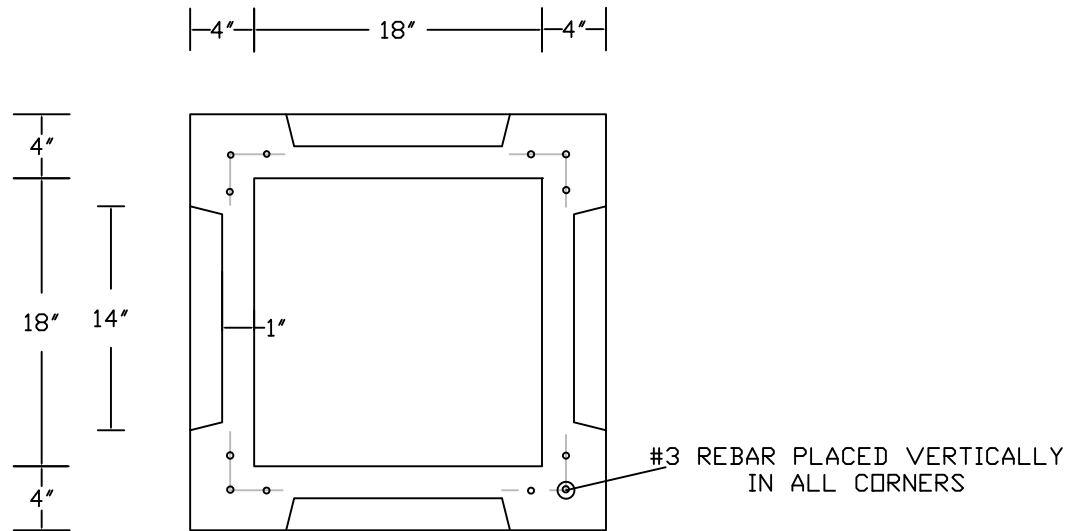
### NOTES:

- LOAD RATING: HS- 20
- CONCRETE 4,500PSI @ 28 DAYS
- REINFORCING: AS SPECIFIED, GRADE 60 REBAR
- MANUFACTURED IN ACCORDANCE WITH ASTM C-913
- SCALE: 1"=1'-0"

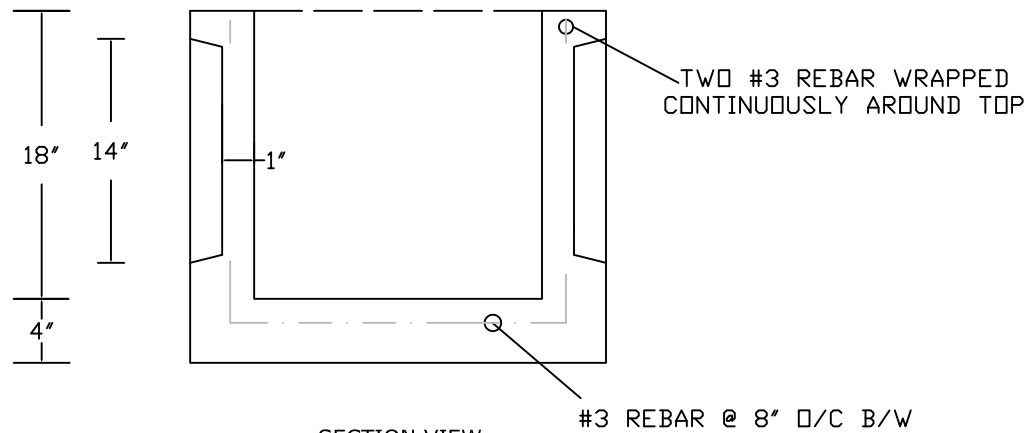
C-2

# PEERLESS CONCRETE PRODUCTS CO.

—SINCE 1959—



PLAN VIEW



SECTION VIEW

## 18" X 18" CATCH BASIN (AS BUILT BY PEERLESS)

### NOTES:

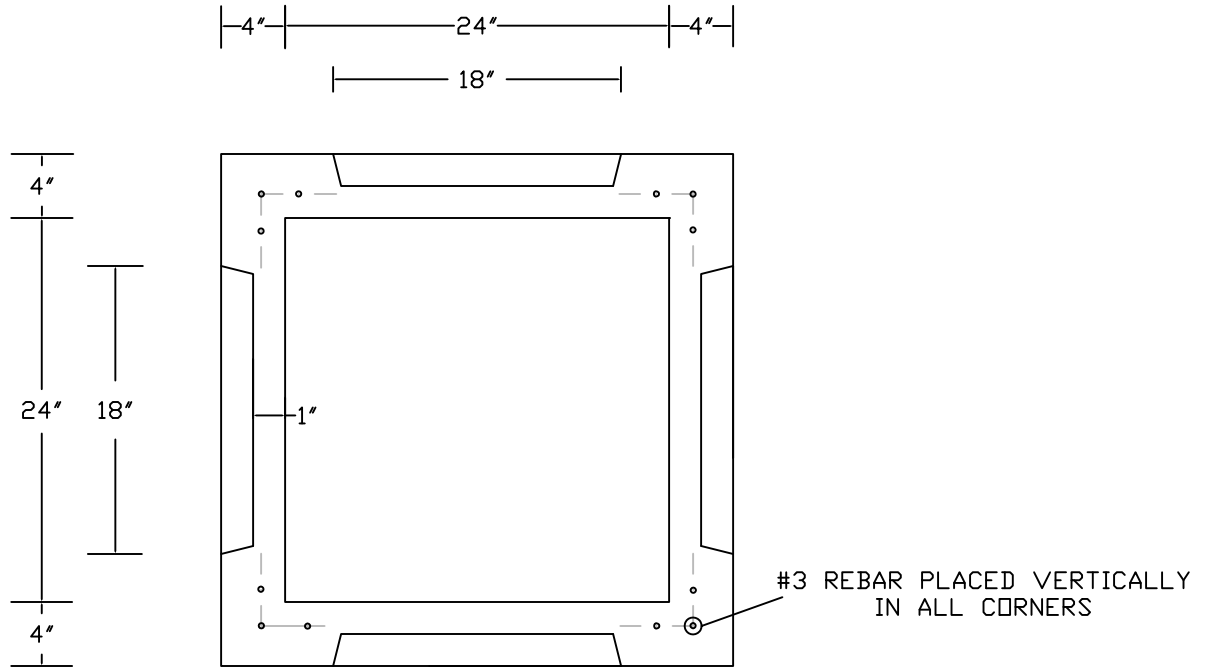
- LOAD RATING: HS- 20
- CONCRETE 4,500PSI @ 28 DAYS
- REINFORCING: AS SPECIFIED, GRADE 60 REBAR

- MANUFACTURED IN ACCORDANCE WITH ASTM C-913
- SCALE: 1"=1'-0"

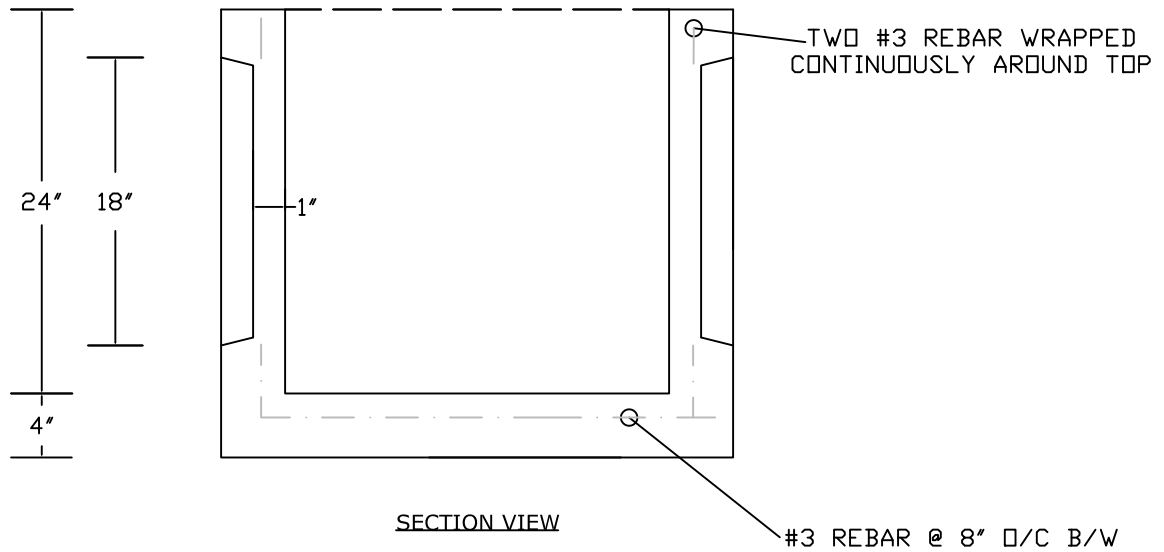
**C-3**

# PEERLESS CONCRETE PRODUCTS CO.

— SINCE 1959 —



PLAN VIEW



SECTION VIEW

## 24" X 24" CATCH BASIN (AS BUILT BY PEERLESS)

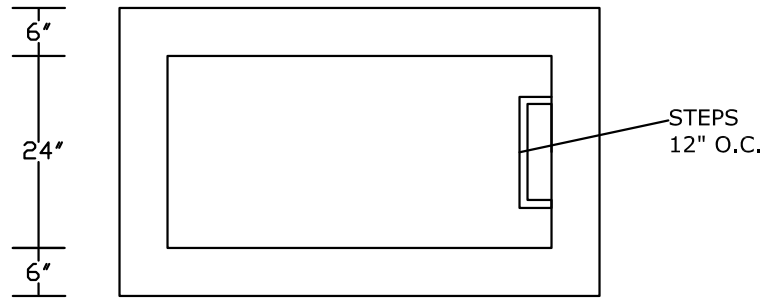
### NOTES:

- LOAD RATING: HS- 20
- CONCRETE 4,500PSI @ 28 DAYS
- REINFORCING: AS SPECIFIED, GRADE 60 REBAR
- MANUFACTURED IN ACCORDANCE WITH ASTM C-913
- SCALE: 1"=1'-0"

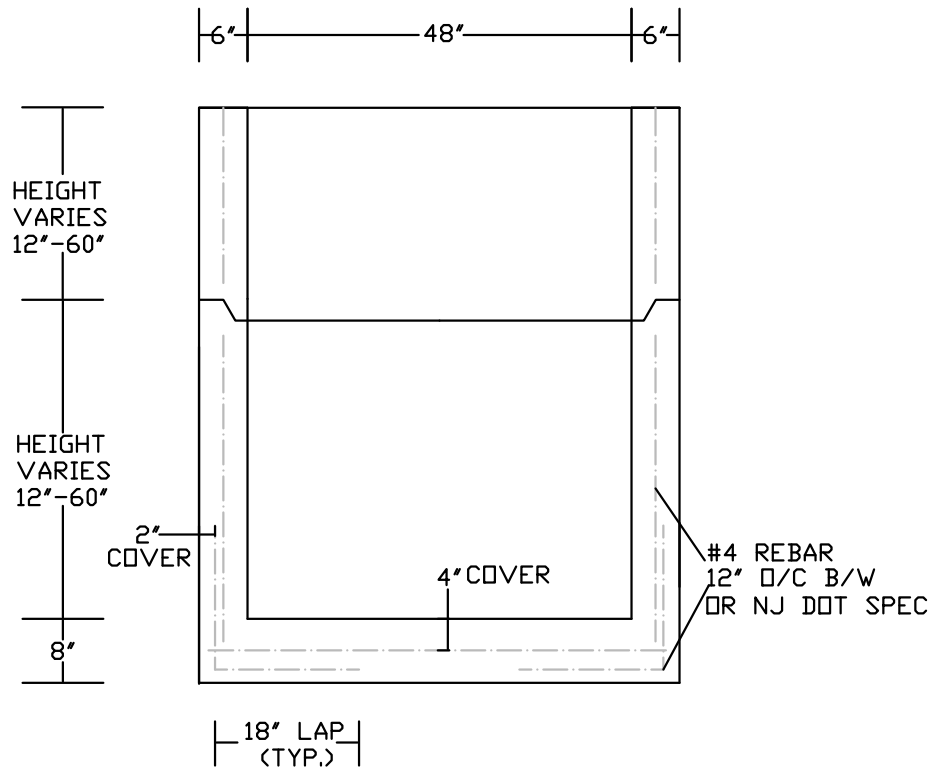
**C-4**

# PEERLESS CONCRETE PRODUCTS CO.

—SINCE 1959—



PLAN VIEW



SECTION VIEW

## NEW JERSEY INLET TYPE "A" (AS BUILT BY PEERLESS)

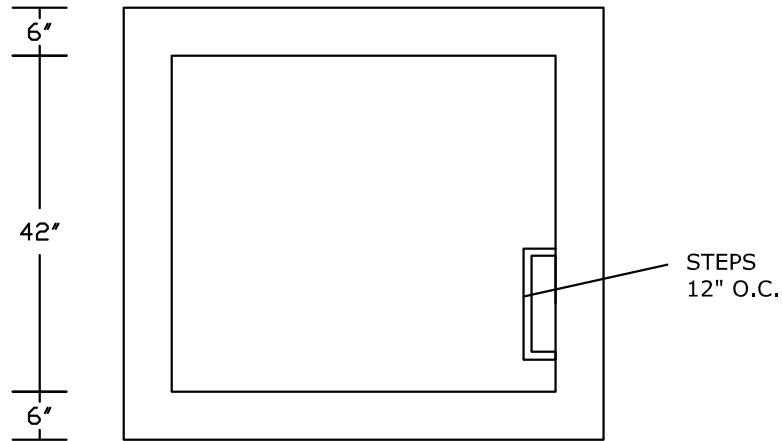
### NOTES:

- LOAD RATING: HS 20
- CONCRETE 4,500PSI @ 28 DAYS
- REINFORCING: AS SPECIFIED,  
GRADE 60 REBAR
- SCALE: 1/2"=1'-0"
- MANUFACTURED IN ACCORDANCE  
WITH ASTM C-913
- STEPS : STEEL REINFORCED  
POLYPROPYLENE COATED, DOT APPROVED

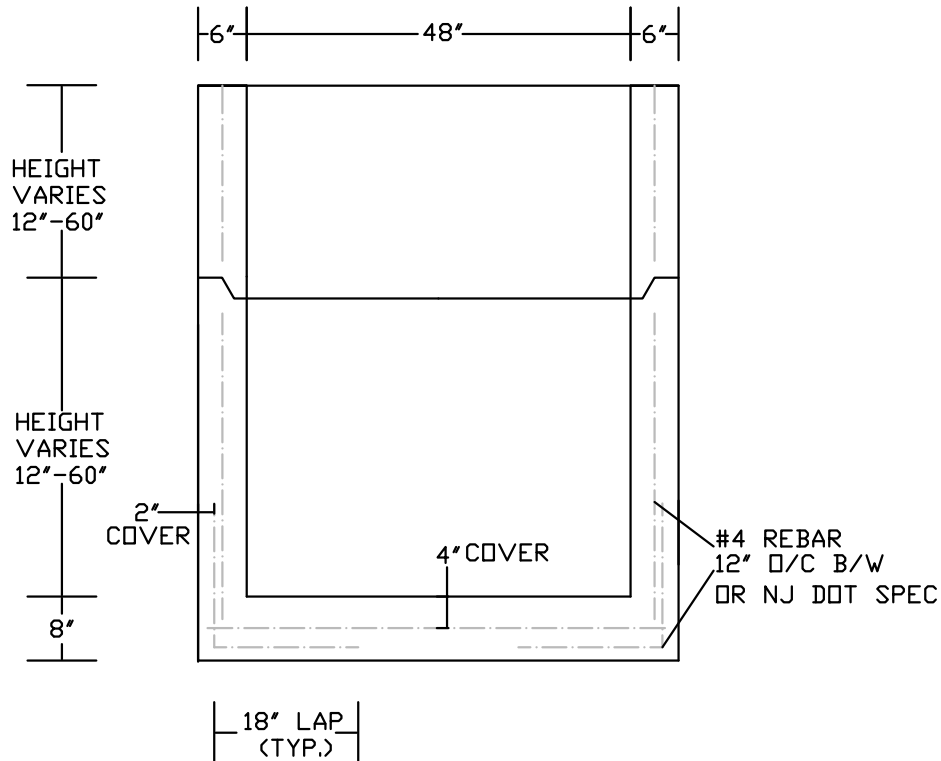
C-5

# PEERLESS CONCRETE PRODUCTS CO.

—SINCE 1959—



PLAN VIEW



SECTION VIEW

## NEW JERSEY INLET TYPE "B/E" (AS BUILT BY PEERLESS)

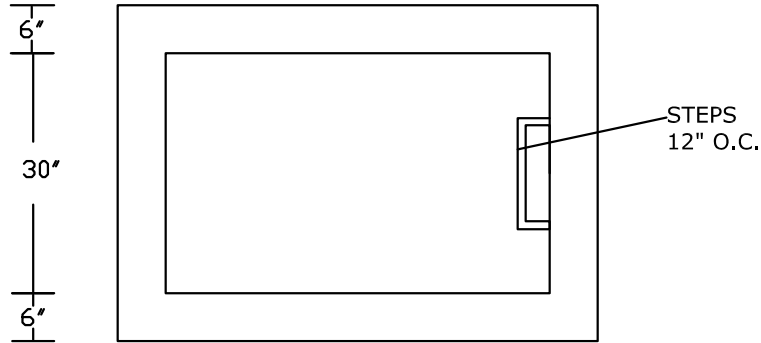
### NOTES:

- LOAD RATING: HS 20
- CONCRETE 4,500PSI @ 28 DAYS
- REINFORCING: AS SPECIFIED,  
GRADE 60 REBAR
- SCALE: 1/2" = 1'-0"
- MANUFACTURED IN ACCORDANCE  
WITH ASTM C-913
- STEPS : STEEL REINFORCED  
POLYPROPYLENE COATED, DOT APPROVED

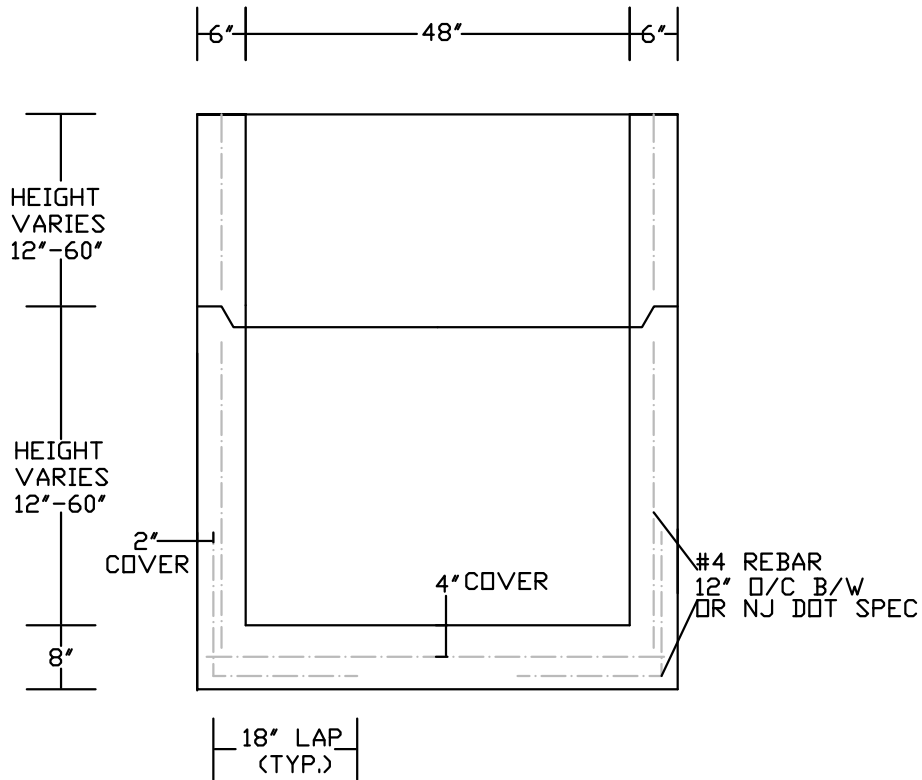
**C-6**

# PEERLESS CONCRETE PRODUCTS CO.

—SINCE 1959—



PLAN VIEW



SECTION VIEW

## NEW JERSEY INLET TYPE "C/D" (AS BUILT BY PEERLESS)

### NOTES:

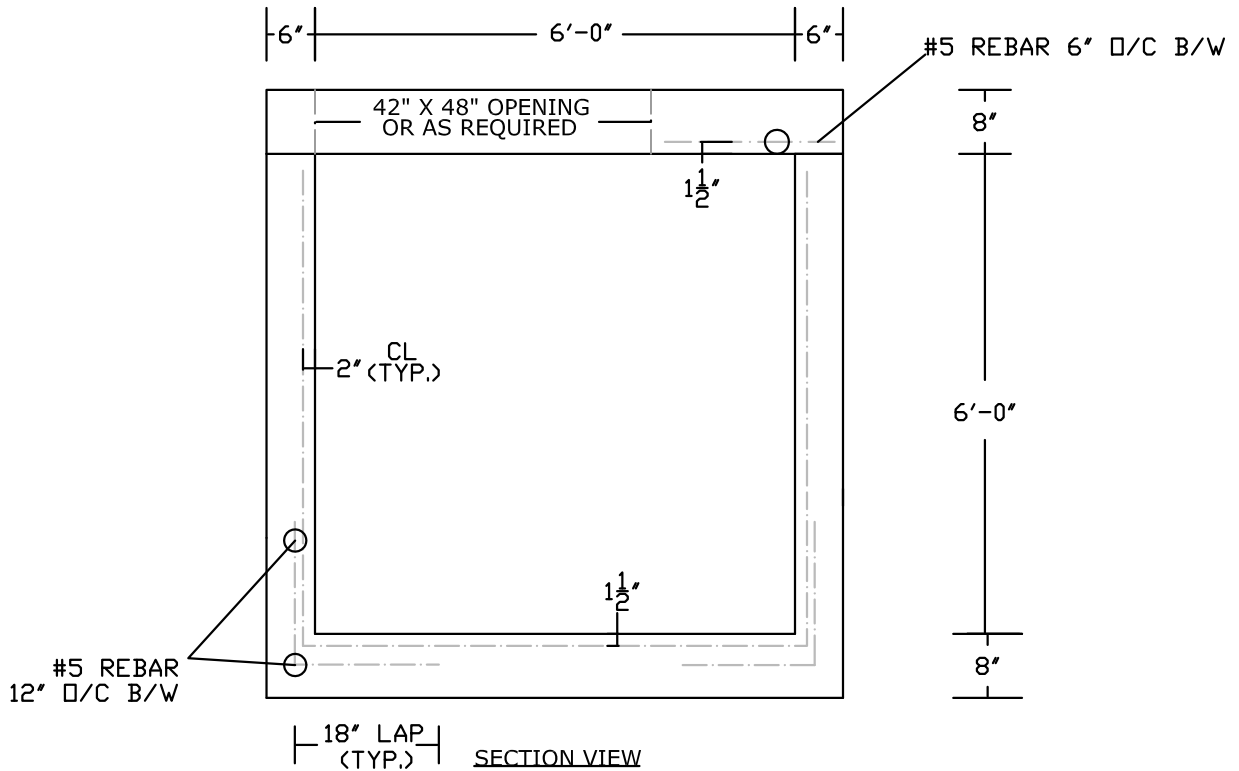
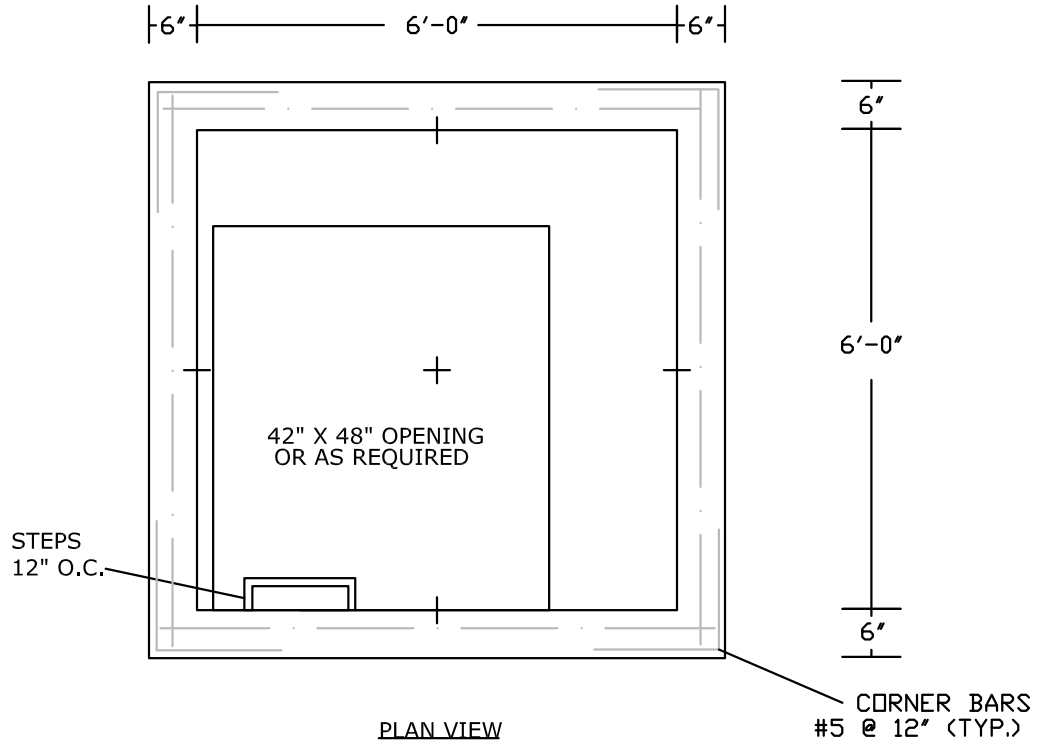
- LOAD RATING: HS 20
- CONCRETE 4,500PSI @ 28 DAYS
- REINFORCING: AS SPECIFIED,  
GRADE 60 REBAR
- SCALE: 1/2"=1'-0"

- MANUFACTURED IN ACCORDANCE  
WITH ASTM C-913
- STEPS : STEEL REINFORCED  
POLYPROPYLENE COATED, DOT APPROVED

**C-7**

# PEERLESS CONCRETE PRODUCTS CO.

—SINCE 1959—



## 6' X 6' CATCH BASIN WITH TOP SLAB (AS BUILT BY PEERLESS)

### NOTES:

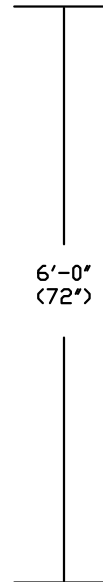
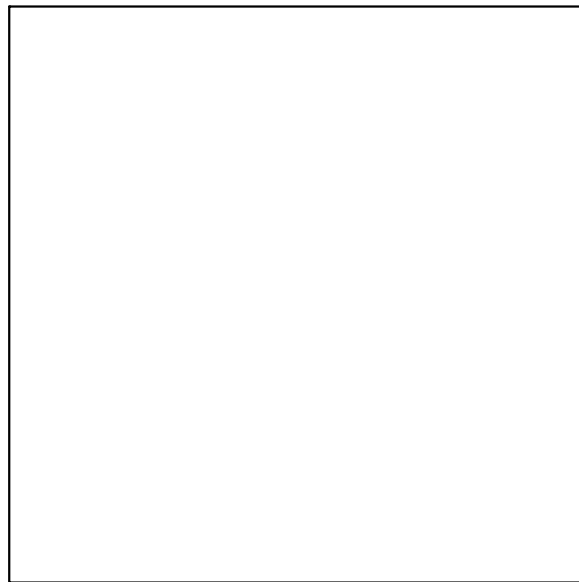
- LOAD RATING: HS 20
- CONCRETE 4,500PSI @ 28 DAYS
- REINFORCING: AS SPECIFIED,  
GRADE 60 REBAR
- STEPS : STEEL REINFORCED  
POLYPROPYLENE COATED, DOT APPROVED
- SCALE: NTS

**C-8**

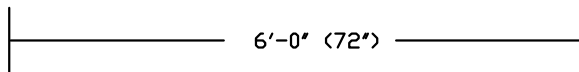


**PEERLESS CONCRETE PRODUCTS CO.**

—SINCE 1959—



6'-0"  
(72")



6'-0" (72")

PLAN VIEW



8"

#5 REBAR  
12' O/C B/W

SECTION VIEW

**CATCH BASIN BASE SLAB**

(AS BUILT BY PEERLESS)

NOTES:

-CONCRETE: 4500PSI @ 28 DAYS  
-REINFORCING: AS SPECIFIED,  
GRADE 60 REBAR

-MANUFACTURED IN ACCORDANCE WITH  
ASTM C-913  
- SCALE: 1/2"=1'-0"

**C-9**