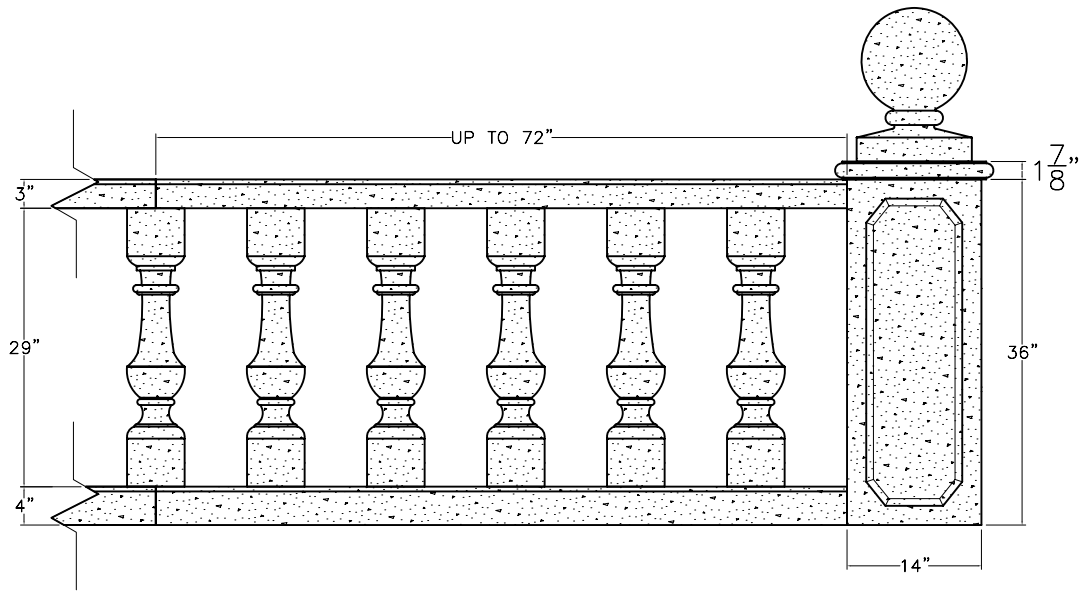
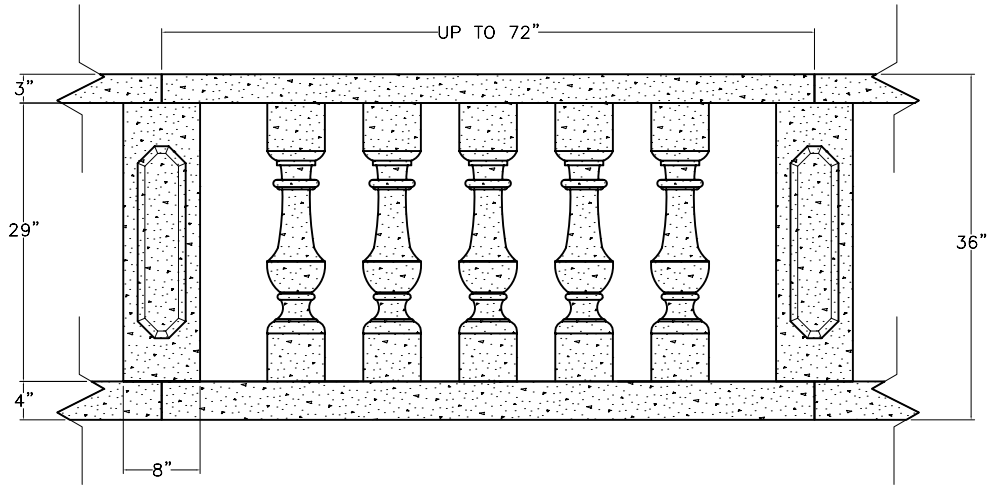
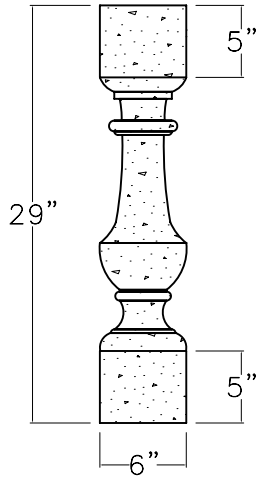


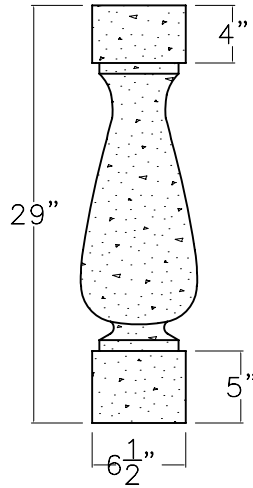
BALUSTRADE



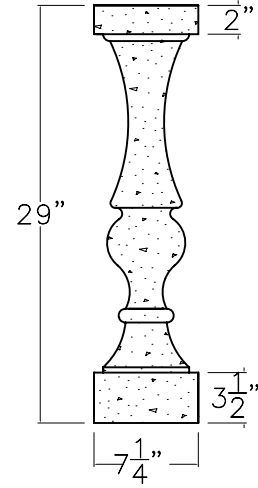
BALUSTERS



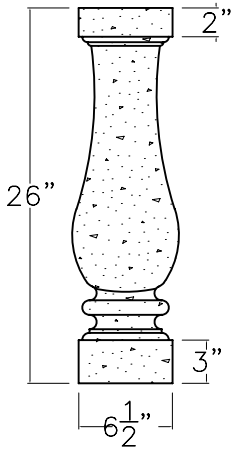
#B-1



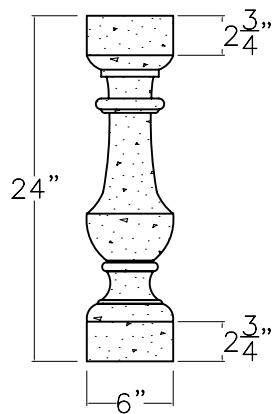
#B-2



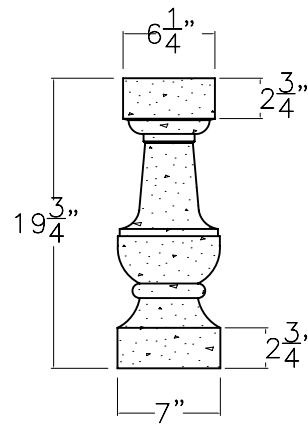
#B-3



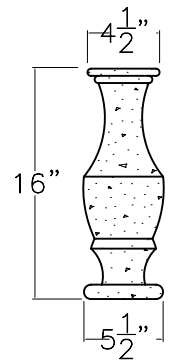
#B-4



#B-5



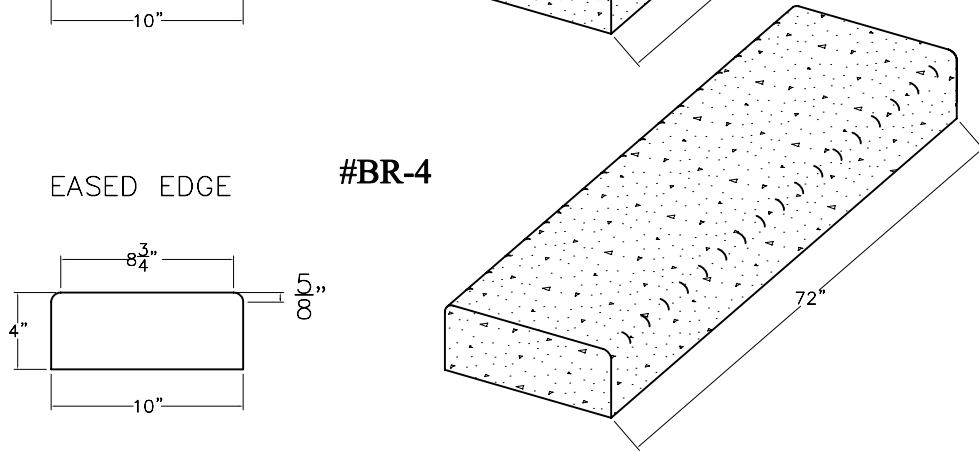
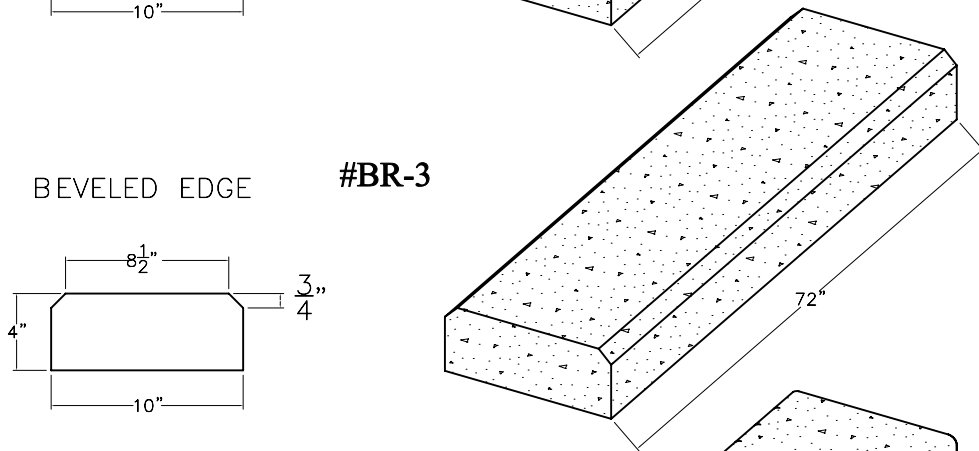
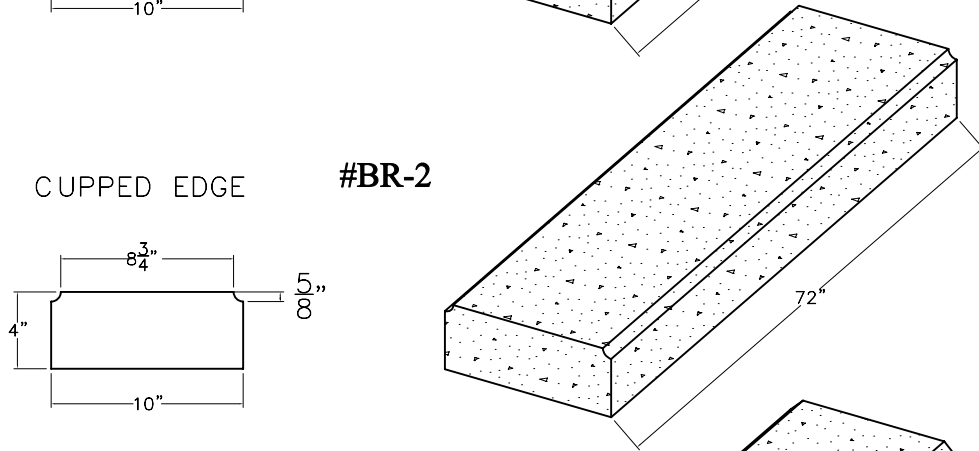
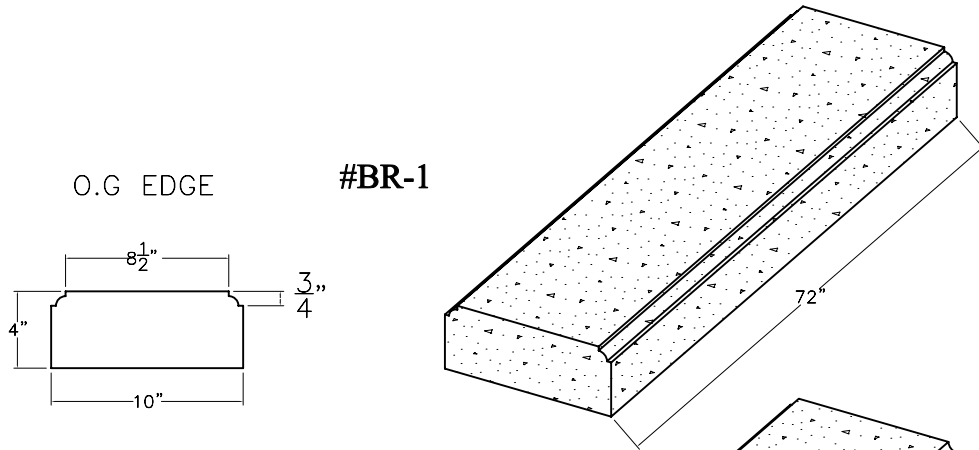
#B-6



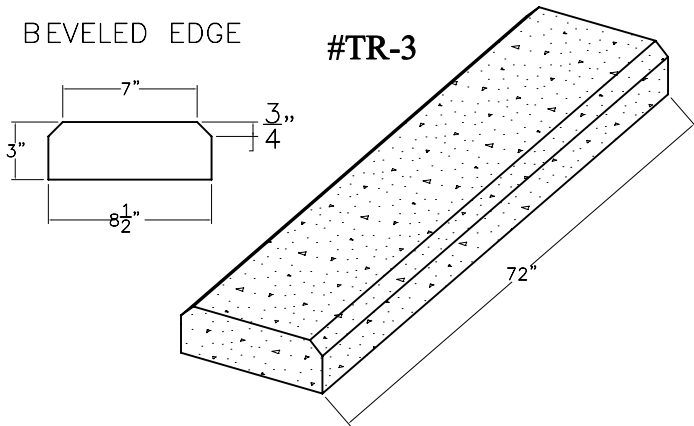
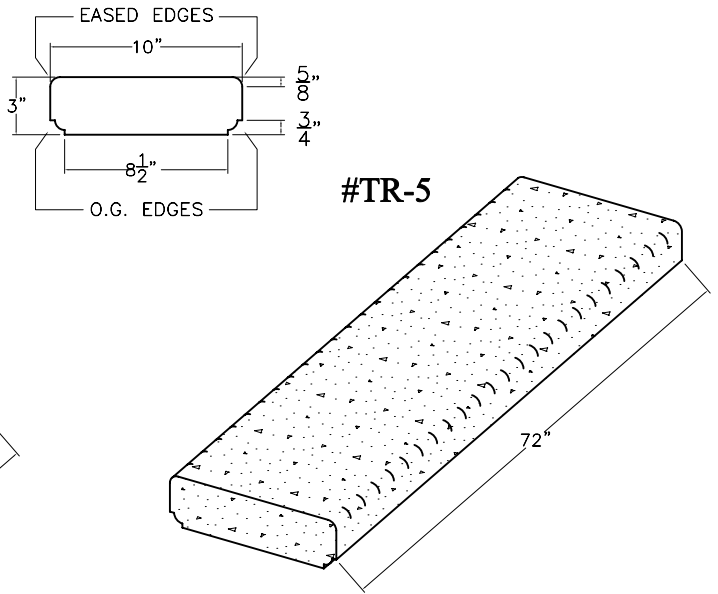
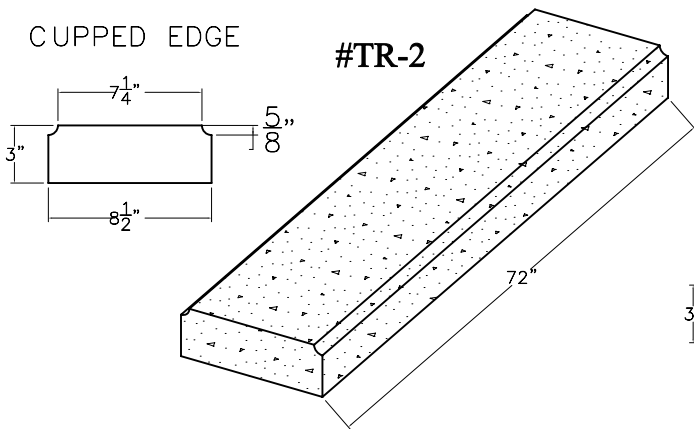
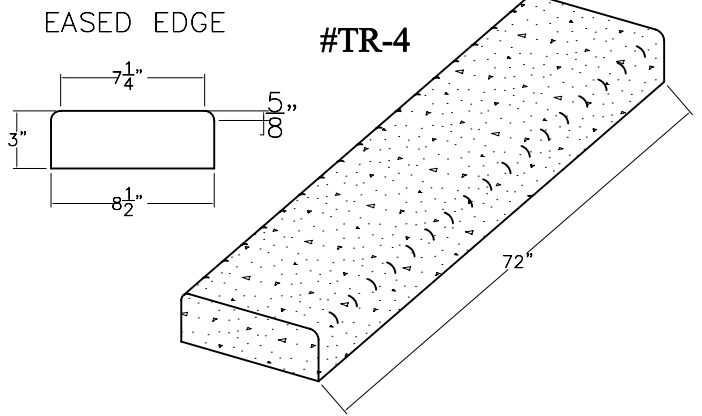
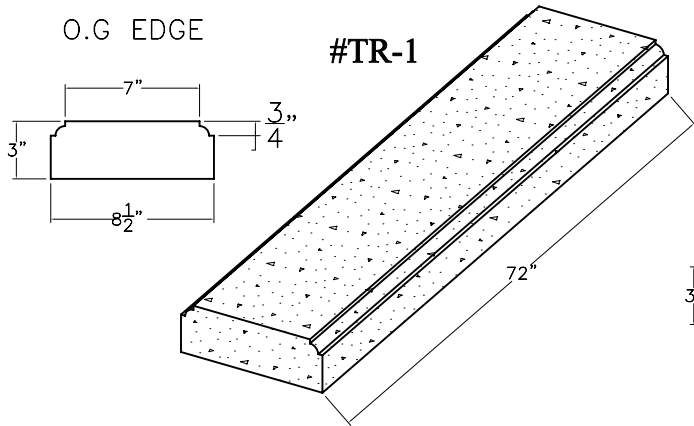
#B-7

BALUSTERS B-1 THROUGH B-5 HAVE ROUND BODIES
AND SQUARE TOPS AND BOTTOMS
B-6 IS SQUARE TOP TO BOTTOM, AND
B-7 IS ROUND TOP TO BOTTOM

BOTTOM RAILS

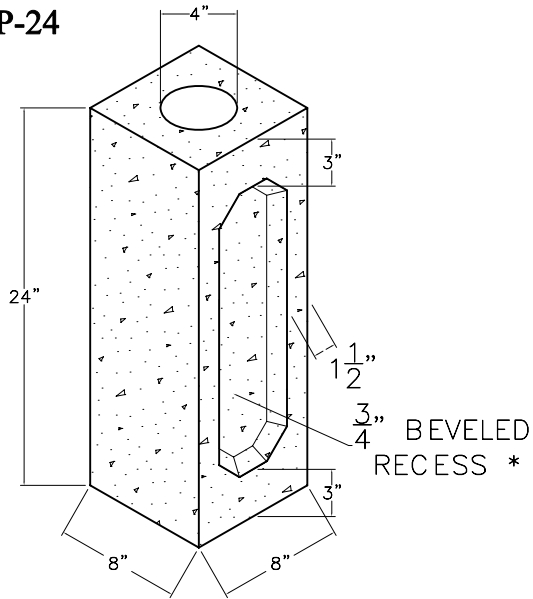


TOP RAILS

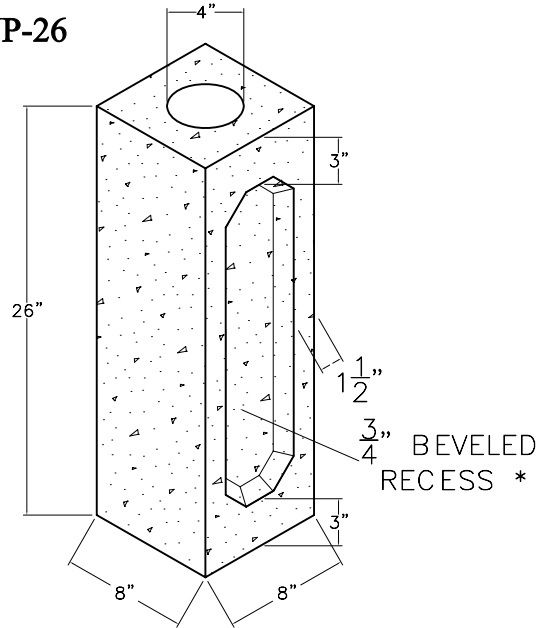


NEWEL POSTS

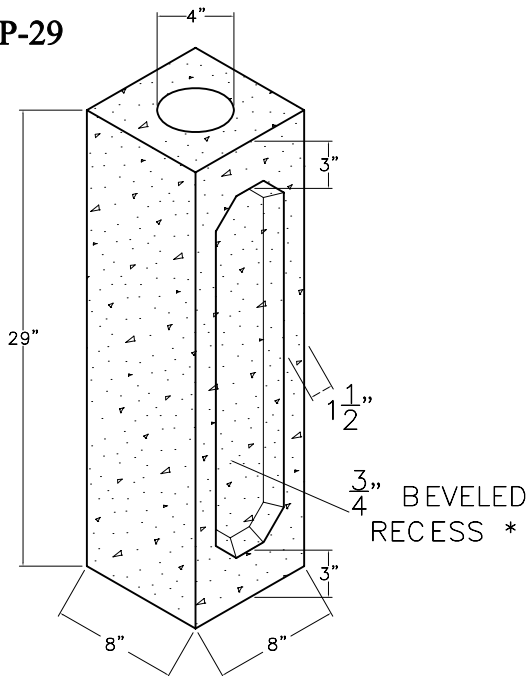
#NP-24



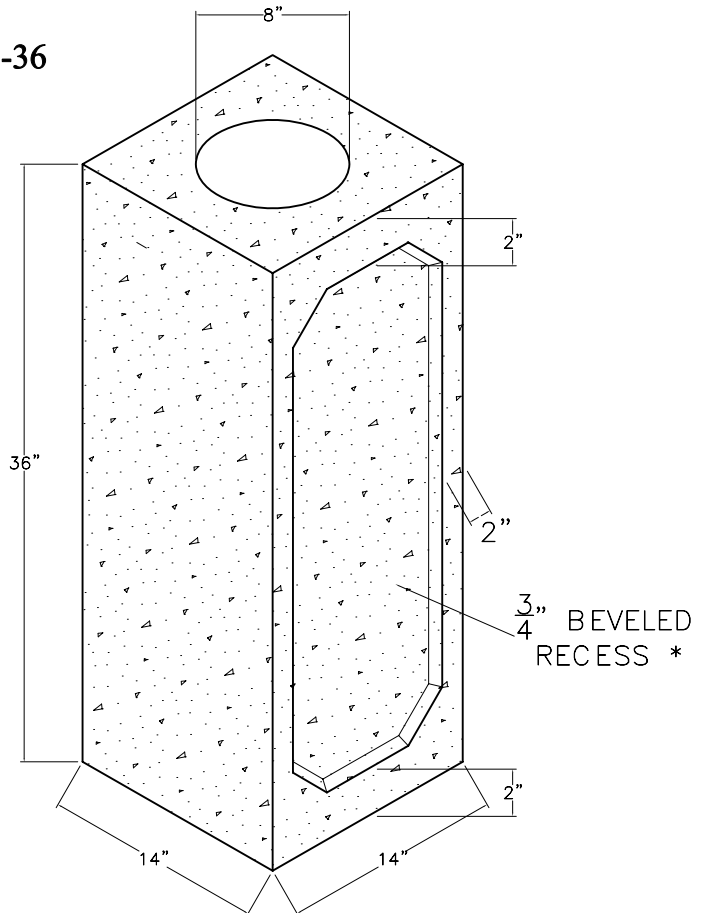
#NP-26



#NP-29



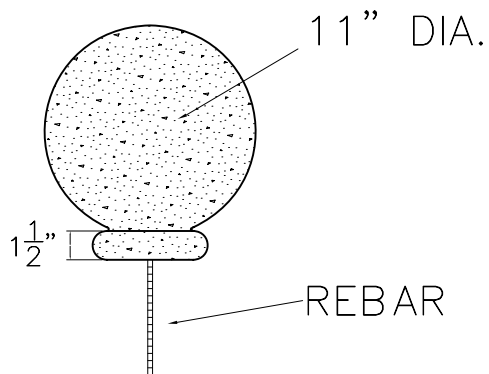
#NP-36



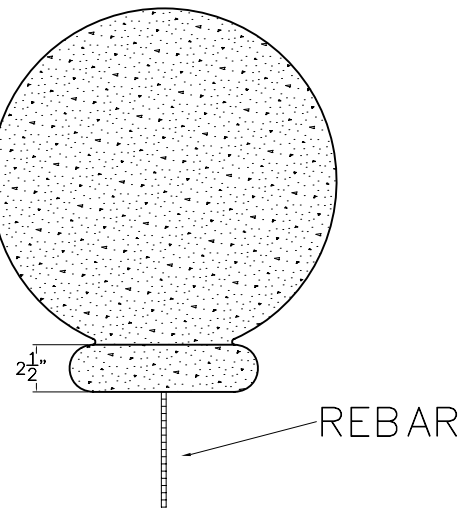
* AVAILABLE WITH RECESS ON MULTIPLE SIDES UPON REQUEST

BALL FINIALS

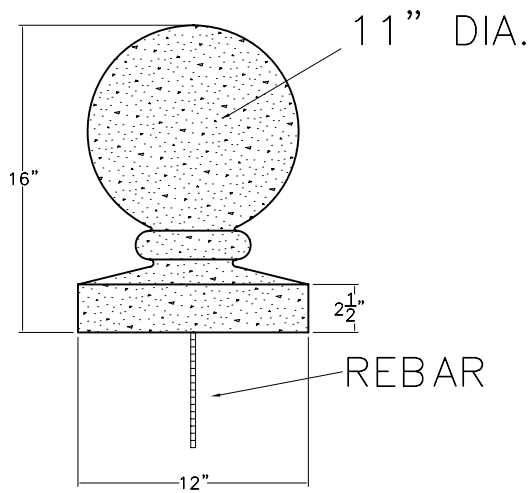
#BF-11a



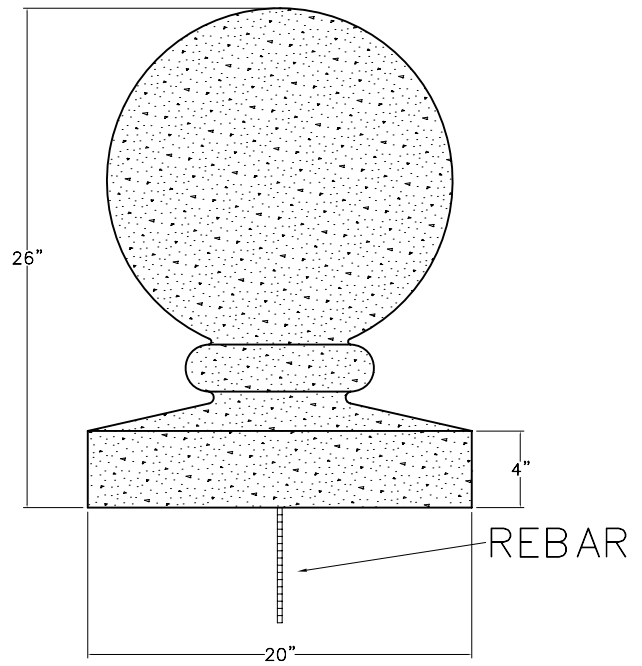
#BF-18a



#BF-11b

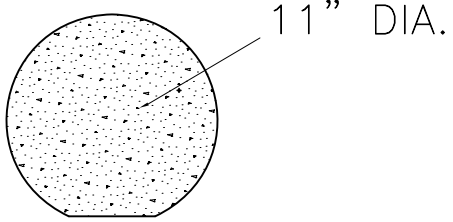


#BF-18b

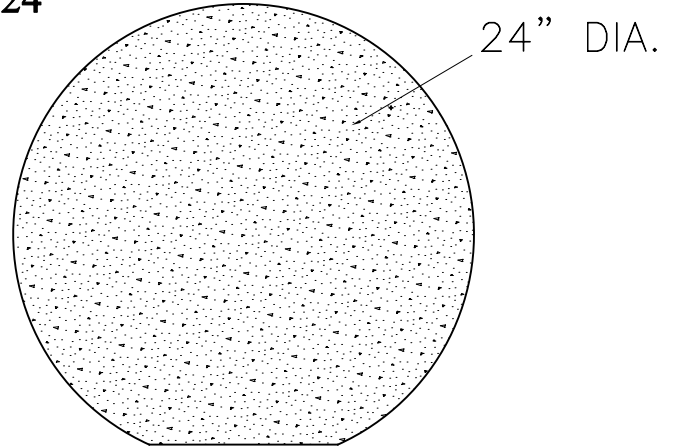


SPHERES

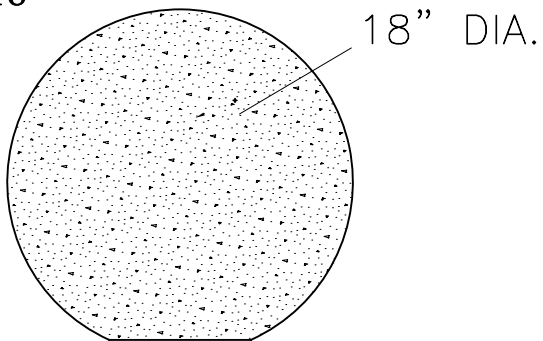
#S-11



#S-24



#S-18



#S-36

