

10 to 1 Frequency Divider Kit – Preliminary notes, October 2021

Parts list:

Part	Quantity	Notes
Ceramic Capacitor	4	Marked 104
IC 74AC14	1	Hex inverter/Schmitt trigger
IC 74HC390	1	Dual decade counter
BNC Connector	1	Plastic body PC mount
Header – long pin	1	8 way socket
Header – Short pin	1	8 way pin header
PCB	1	70x50 mm Approx.
Standoff 3/4"	4	
Bolts 4/40 size	8	

Notes.

The above parts list should be used to check kit contents. Start construction with the capacitors first, move onto the 2 IC's, they are CMOS so use precautions to ensure a static safe work area. The BNC is mounted last; the mounting pins are only push fit in to the plastic BNC body, so too much heat can cause them to loosen.

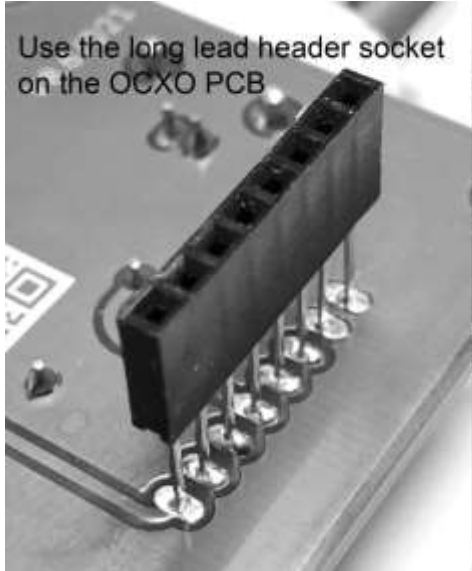
As this board is designed to mate with the Electro-Resales 10 MHZ PCB the mounting headers are used to connect the two boards using the pads located on the PCB edge. Use the standoffs and bolts to securely connect the two boards.

Refer to attached photo, schematic and PCB layout for additional help.

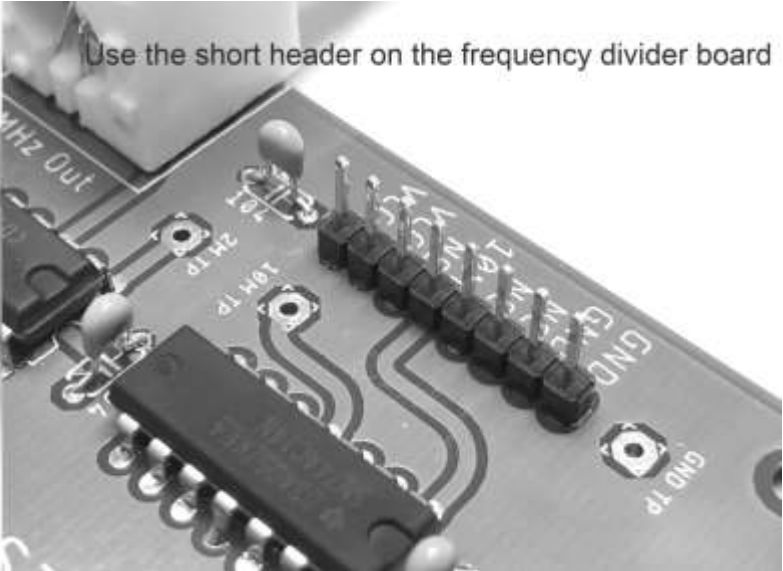
We can be contacted at:

steve@electroresales.com

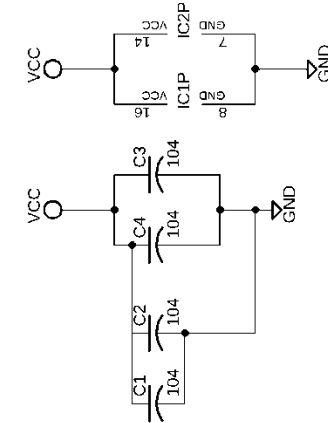
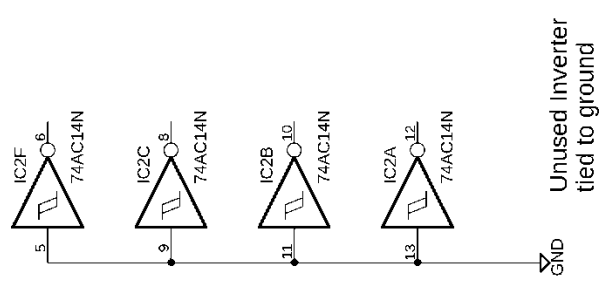
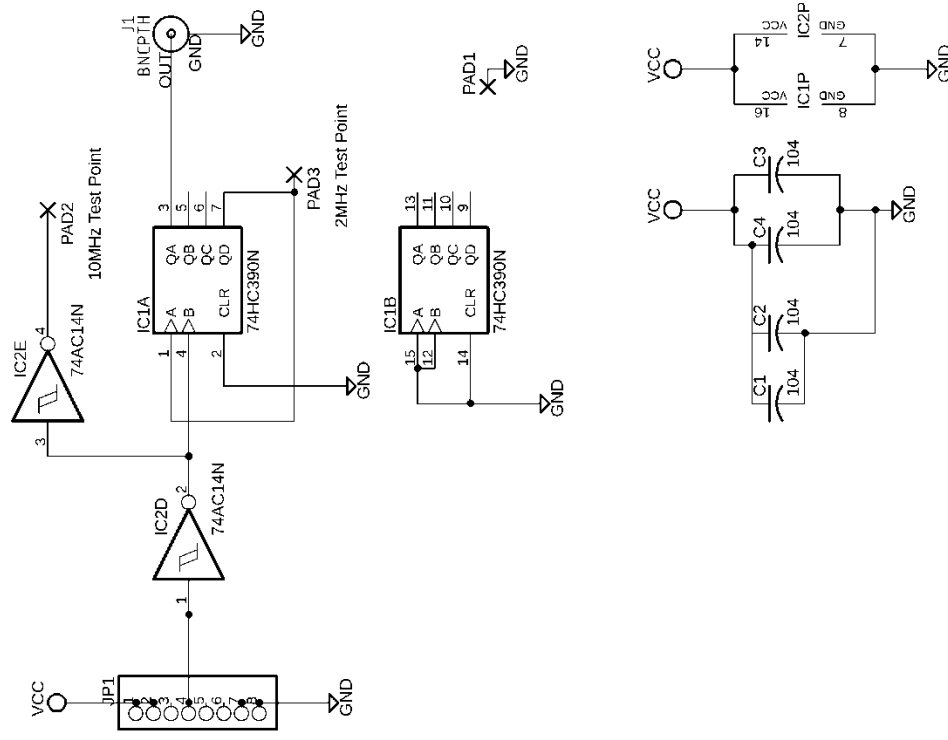
Use the long lead header socket on the OCXO PCB



Use the short header on the frequency divider board



Use the above picture to understand how to use the headers to connect the boards electrically.

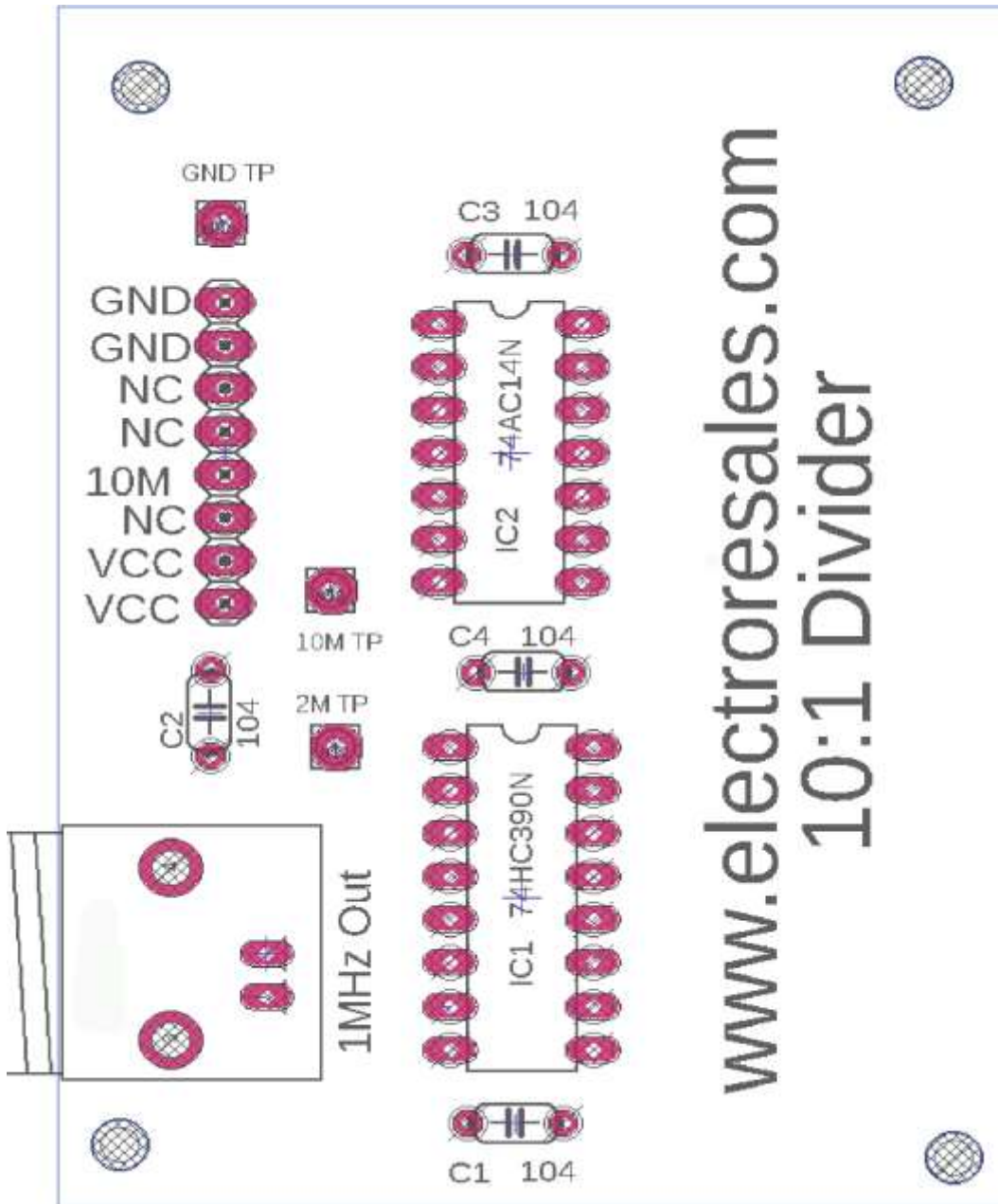


TITLE: CTIOSC_10M Divideby10_Corrected_92121

Document Number: REV:

Date: 9/30/2021 5:12 PM Sheet: 1/1

PCB Layout:



www.electroresales.com
10:1 Divider