

placed on three bases and on every flat surface

Outdoor bases with puncture proof wheels, light and easy to push on every surface, independent drum brakes, directional locks and shock absorbers.
Indoor base height adjustable.

869 four wheel base

front cm 17
back cm 25 (size onetwo)
cm 30 (size threefour)



901 jogger three wheel base

front 17 cm
back 30 cm
with hand brake



856 hi-low feeder base only for indoor use

10 cm swivelling wheels, with brakes. Adjustable in height. It is easy and safe to use, thanks to a mechanism with a gas spring, a pedal and a front lever operating by hand



easy descent without user thanks to the hand-operated lever



easy ascent with user thanks to the foot-operated lever



BUG



the only one with tilt-in-space system incorporated in the seat

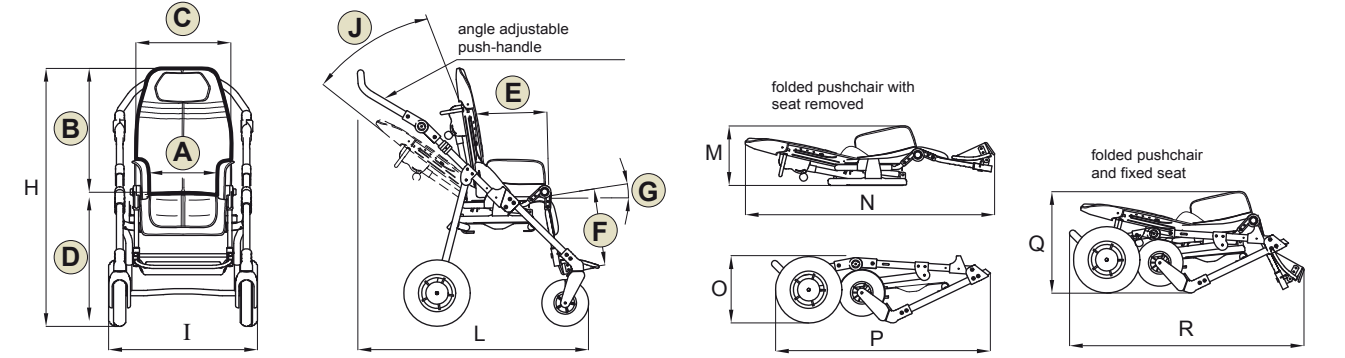


design and quality
MADE IN ITALY since 1980

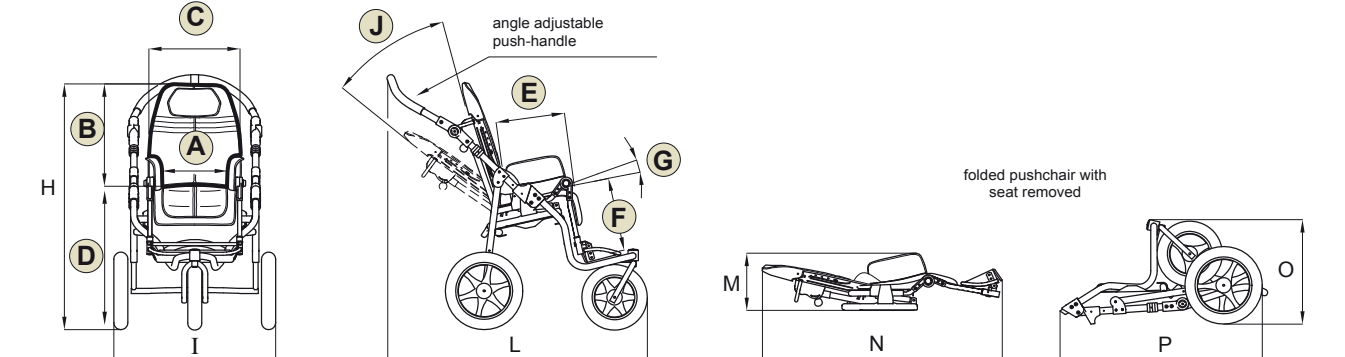


INGLESE cod. 22895 - 19-05-15

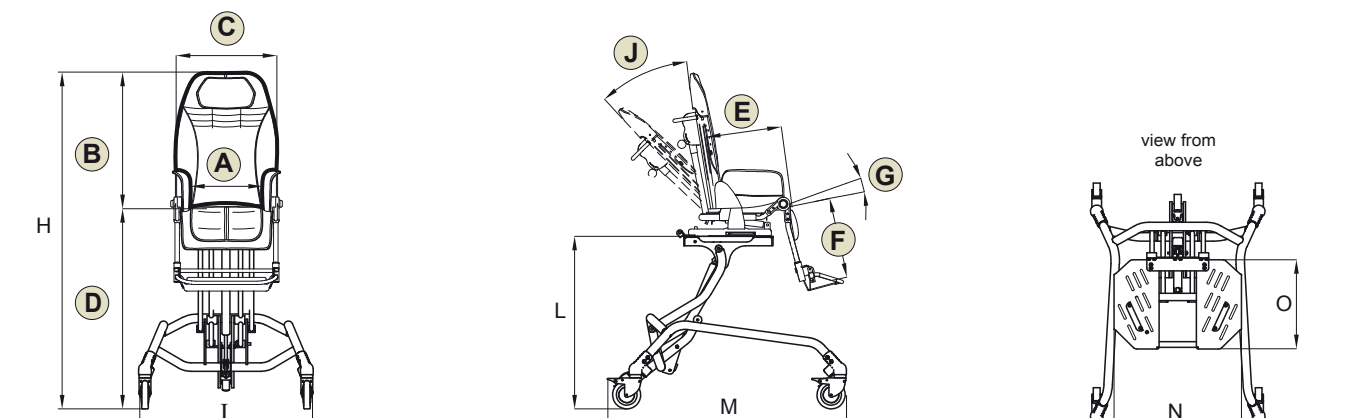
Dimensions:



Bug + 869 base	Max. load cap. (kg)	A (cm)	B (cm)	C (cm)	D (cm)	E (cm)	F (cm)	G (degree)	J (degree)	H (cm)	I (cm)	L (cm)	M (cm)	N (cm)	O (cm)	P (cm)	Q (cm)	R (cm)	frame weight (kg)	seat weight (kg)	total weight (kg)
OneTwo	35	20-30	52-62	37	52	20-30	14-30	0°-35°	35°	101-111	57	67-81	29	88	28	81	44	81	9,5	8,5	18
ThreeFour	45	25-36	60-75	44	55	30-40	30-40	5°-30°	40°	113-127	62	79-92	34	112	30	93	52	94	10,5	11,5	22



BUG + 901	max. load cap. (kg)	A (cm)	B (cm)	C (cm)	D (cm)	E (cm)	F (cm)	G (degree)	J (degree)	H (cm)	I (cm)	L (cm)	M (cm)	N (cm)	O (cm)	P (cm)	frame weight (kg)	seat weight (kg)	total weight (kg)
onetwo	35	20-30	52-62	37	51	20-30	14-30	14°-49°	35°	103-113	63	78-106	29	88	38	79	10,5	8,5	19
threefour	45	25-36	60-75	44	57	30-40	30-40	13°-38°	40°	117-132	69	98-127	34	112	40	96	11,5	11,5	23



SIZES	Max. load cap. (kg)	A (cm)	B (cm)	C (cm)	D (cm)	E (cm)	F (cm)	G (degree)	J (degree)	H (cm)	I (cm)	L (cm)	M (cm)	N (cm)	O (cm)	frame weight (kg)	seat weight (kg)	total weight (kg)
OneTwo	35	20-30	52-62	37	47-73	20-30	14-30	0°-35°	35°	99 - 135	56	35-61	79	40	25	14,5	8,5	23
ThreeFour	45	25-36	60-75	44	47-73	30-40	30-40	0°-25°	40°	107-148	62	35-61	83	45	32	15,5	11,5	27

HYPEN-SEPARATED NUMBERS INDICATE THE MINIMUM AND MAXIMUM RANGE OF ADJUSTMENT

Product Certified by the following institute:
CERAH
France



Product tested by:
BERLIN CERT GmbH
AND LISTED IN THE GERMAN HMV
(Technical Aids Listing)

Product **FDA (USA)** registered

Authorized dealer



BUG with base 869 passed CRASH TEST according to the ISO 7176:19 and ANSI RESNA WC19

WARNING:
-fits the ISO 10542 compliant 4-POINT STRAP-TYPE TIEDOWN, provided by the vehicle
-it is required for the child to wear both pelvic- and shoulder-belt-type restraints, to be compliant either with ISO 7176-19 or ISO 10542
-postural belts and harnesses such as our 828, 853, 894, 903, 906 are not approved for the use as an occupant restraint system
-the vehicle must be suitable for transporting orthopedic pushchairs in compliance with current law
-read the warnings and instructions given in the user's & maintenance book

ORMESA S.r.l.
Via A. Da Sangallo, 1 - 06034 FOLIGNO (PG) ITALY
TEL. +39 0742 22927-FAX +39 0742 22637
info@ormesa.com-www.ormesa.com



COMPANY WITH QUALITY MANAGEMENT SYSTEM CERTIFIED BY **ISO 9001**