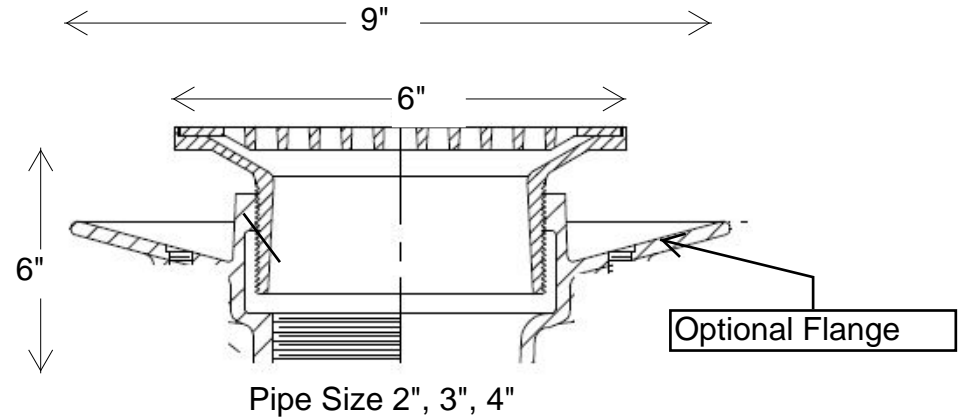


WICKETTS STAINLESS SPECIFICATION

WFD-06-F-SG



Engineering Specification: 6" FLOOR DRAIN ; Construction 304 Stainless Steel Body; Weepage Flange; Sotted Grate;

WICKETTS STAINLESS, LLC
2618 San Miguel Dr.# Bdg. 376
Newport Beach, CA 92660
www.wickettsstainless.com
sales@wickettsstainless.com



Approved for Manufacturing
Company: _____
Signature: _____