



# **HOT-SHOT PROFESSIONAL**

**WET/DRY STEAM CLEANER**

**INSTRUCTION**

**MANUAL**

# Table of Contents

Table of Contents	Page 1
Introduction	Page 2-3
Upon Receiving your Hot-Shot Professional	Page 4
Installation	Page 4
Using your Hot-Shot Professional	Page 5
Maintenance	Page 5
Warranty	Page 6
Technical Information	Page 6
Precautions	Page 6
Troubleshooting Guide	Page 7
Schematic	Page 8-9
Parts List	Page 10-11
Housing Removal	Page 12
Transformer Replacement	Page 13
Display Board Replacement	Page 13
Heater Assembly Replacement	Page 14
Solenoid Assembly Replacement	Page 15
Pressure Regulator Replacement	Page 16
Thermostat Adjustment	Page 17
Steam Pressure Adjustment	Page 18
Gasket Replacement	Page 19

## **INTRODUCTION**

Trident Sales Associates thank you and congratulate you for choosing the Hot-Shot Professional steam cleaner. The Hot-Shot Professional Wet/Dry steam cleaner is manufactured to the exacting professional standards of quality that have always distinguished our products from our competitors.

Stainless steel construction insures long lasting tank life and unparalleled performance for years to come. State of the art technology with an emphasis on safety make the Hot-Shot Professional the reliable choice for effective, trouble-free operation.

Special “unique” features of the Hot-Shot Professional Include:

### **\* FAST & POWERFUL**

*Produces 80 psi of steam in 10-15 minutes*

### **\* EXPANDED SIZE PROFESSIONAL TANK**

*Stainless steel tank holds over 1 gallon (4.5 liter capacity)*

### **\*LARGE LED INFORMATION DISPLAY**

*Shows all current steam cleaner conditions for:*

*Power, Heating, Water, Time-to-Clean & Low Water Auto off*

### **\*SELECTABLE STEAM TO MEET EVERY NEED**

*DRY: for all pressable ceramics and light steam cleaning*

*WET: for all general purpose requirements*

*MAX: for heavy duty steam cleaning*

### **\*TRIPLE LOW WATER PROTECTION SYSTEM**

*Heater turns off automatically, Low water light flashes on information display, Produces audio tone “beep” low water alert sound*

### **\*STEAM SPRAY JET HANDLE**

*Use hand held or “hands free” in holder with on/off foot pedal*

**\*STAINLESS STEEL**

*Improves performance, prevents rust and extends life*

**\*SCREW-ON NOZZLE TIPS**

*Different shapes available (comes with #1 small round tip) Also available: #2 large round tip and #3 flat edge tip*

**\*BUILT-IN DRAIN VALVE**

*Easy flow-through design for cleaning tank*

This instruction manual will help familiarize you with the Hot-Shot Professional. Keep the manual in a safe place so that it can be consulted whenever necessary. Should you have any questions please contact:

**Trident Sales Associates**

**2730 Madrigal Lane  
West Melbourne, FL 32904**

**Tel: 561-826-9331**

**Fax: 561-353-0895**

**Email: [walter@tridentsales.us](mailto:walter@tridentsales.us)**

## **UPON RECEIVING YOUR HOT-SHOT PROFESSIONAL**

Carefully inspect the unit to insure that it has not been damaged in shipping. In the event of any damage, immediately contact the shipping company to report it.

### **The Hot-Shot Professional Steamer comes with the following:**

Foot Pedal (PEDELETCOMPJ)

Refill bottle (EV1BOT)

Extra set of screw cap gaskets

Warranty card

Instruction Manual

## **INSTALLATION**

Remove all items from the shipping box.

Place the Hot-Shot Professional on the bench in the area where it will be used.

Plug the Foot Pedal into the front panel receptacle.

Fill the refill bottle with distilled water.

Remove the black screw cap from the intake pipe.

Fit the tip of the refill bottle into the intake pipe. Fill the tank with distilled water. Re-secure the screw cap.

Connect the Power Cord into a properly grounded 115 Volt electrical outlet.

*The Hot-Shot Professional is now ready for operation.*

## USING YOUR HOT SHOT PROFESSIONAL

Turn on the white power switch located at the bottom right hand corner of the front panel.

The following LED indicators will light: POWER, HEATING, WATER.

You will notice the pressure gauge begin to rise until it reaches between the 2 and 3 o'clock position on the pressure dial. When the heat light turns off (approximately 15 minutes), you have reached the maximum operating pressure. Do not attempt to remove the screw cap or add more water at this time, as the steamer is under high pressure. To select your desired steam (dry, wet, maximum) simply turn the steam selection knob to the appropriate setting. To activate the steam spray, step on the foot pedal.

Steam Spray Jet Handle should be used mounted in cradle for hands free operation or held for mobile use.

NOTE: When the low water light is illuminated, power to the heater is shut off. This is a safety built into the steamer to insure that the electronics are not damaged by excessive heat. You must wait for the pressure gauge to show no pressure. Then carefully unscrew the cap to release any remaining hot steam. Only now can the steamer be refilled with "distilled water".

## MAINTENANCE

1. Only **DISTILLED WATER** should be used with the Hot-Shot Professional.
2. Cleaning – Use **Clean-Shot** industrial descaler to clean the tank every 3 months. Part number: **CSK**. Do not use an acid based cleaner as it can damage the steamer.
3. Screw Cap Gaskets - A set of replacement screw cap gaskets are included with the steamer. Periodically these gaskets will need to be replaced. Check these gaskets for excessive wear (the white Teflon gasket and the red rubber gasket that lies underneath it. ) Replace these gaskets as needed (red dot gasket kit – p/n 909 two sets per kit). See page #19 for replacement instructions.
4. Screw Cap – Over time the small red gasket in the center of the screw cap may become worn or compromised because of tension on it. This gasket is calibrated at the factory; it is not replaceable. A new screw cap is needed. This small red gasket is responsible for releasing steam through the emergency safety vent valve in the screw cap should pressure inside the tank become too great (red dot screw cap p/n 901).

## **WARRANTY**

The Hot-Shot Professional is warranted to be free of defects in material and workmanship for a period of twelve months from the date of sale, from an authorized Trident Dealer, to the end user.

Refer to your warranty/registration card for full details.

## **TECHNICAL INFORMATION**

Voltage	115V	220V
Frequency	60 hertz	50/60 hertz
Maximum power use	1300 watt	1300 watt
Fuse	20 ampere (fast acting type) 250 volt	10 ampere (rapid in glass)
Operation pressure range	80-85 PSI	80-85PSI
Temperature rising time	15-20 min	15-20 min
Tank : Stainless Steel	1 gallon capacity	1 gallon capacity
Thermostat	338F	
Maximum tank temperature	300F	
Dimensions (WxDxH)	12"x14"X11"	
Weight	26 lbs	

## **PRECAUTIONS**

### **NEVER REMOVE THE SCREW CAP WHEN THE STEAMER IS UNDER PRESSURE**

Do not overfill the tank as this will result in diminished steam flow and performance. The Hot-Shot Professional is designed to be used only by qualified personnel. The manufacturer is not responsible if the steamer is used improperly or under any other conditions.

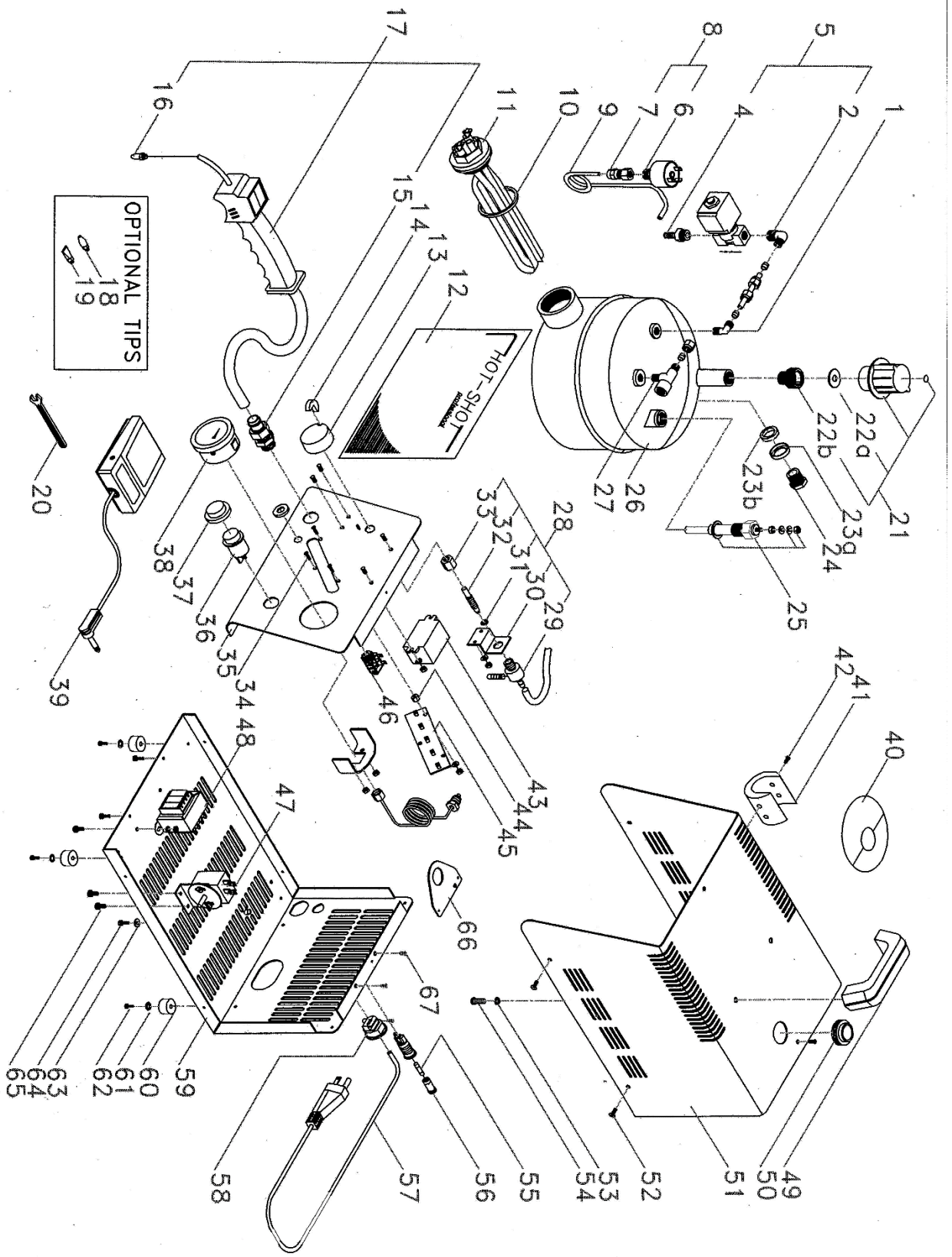
It is highly recommended that the Hot-Shot Professional be plugged into a surge protector to insure that voltage spikes or surges do not damage the steamer's inner circuitry.

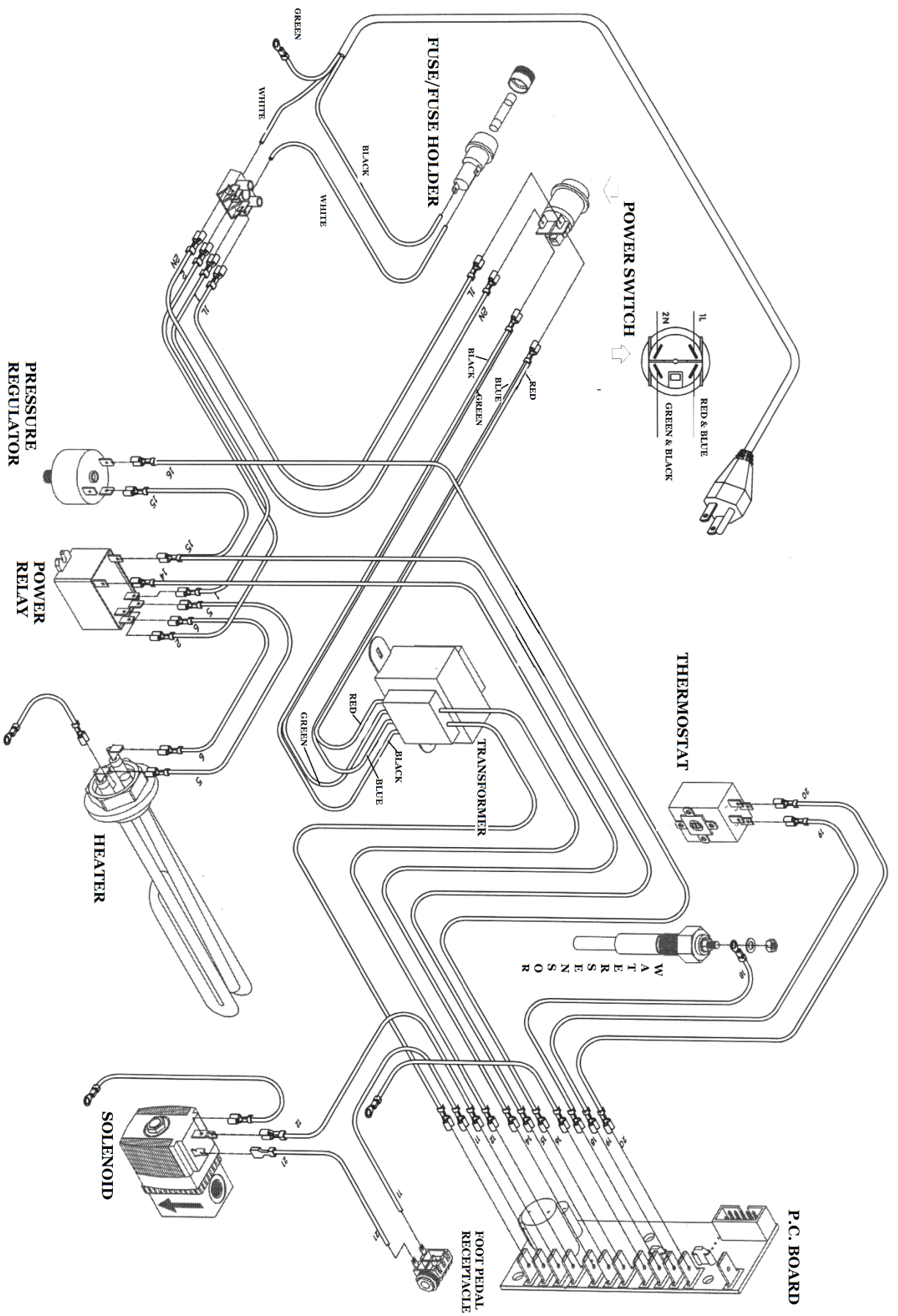
This equipment is supplied in 115 Volt (220 Volt upon request) and must be connected directly into a three-prong properly grounded electrical receptacle. Do not use an extension cord or two-prong adaptor since this will eliminate the grounding safety feature.

## TROUBLESHOOTING GUIDE

<u>SYMPTOM</u>	<u>SOLUTION</u>
1. Unit does not heat up Heating LED does not light	Check power lead connections to heater Replace pressure regulator (HSPRES)
2. Unit does not heat up All lights on	Replace pressure regulator (HSPRES) Replace heater (HRES1400) Check power relay mounted on inside of front panel
3. Unit does not heat up No lights on	Replace fuse (20amp/250v "fast acting") Check power switch
4. Low Water light comes on	Check water level Replace temperature probe (PROST) Replace thermostat (THERMCOMP)
5. Steam leaks from Screw Cap	Check Red Dot Gaskets. Replace if necessary. (p/n 909) Check small red gasket in center of screw cap. If ripped, cracked or in any way compromised, replace screw cap. (p/n 901)
6. Water leaks from tip handle	Replace solenoid valve (EV13COMP)
7. Fuse keeps popping	Replace fuse with a 20 amp "fast acting" 250 Volt fuse Replace heater (HRES1400)
8. Circuit breaker in wall outlet keeps popping	Visually Inspect: a. Power lead connectors at heater assembly b. Power switch connections c. Power lead connection near fuse holder Replace Heater (HSRES1400)
9. Unit heats to proper pressure but nothing happens when foot pedal is depressed	Make sure foot pedal is properly plugged in to front panel receptacle Replace the solenoid valve assembly (EV13COMP)







P.C. BOARD

POWER SWITCH

FUSE/FUSE HOLDER

THERMOSTAT

TRANSFORMER

WATER SENSOR

SOLENOID

HEATER

POWER RELAY

PRESSURE REGULATOR

HOT PEDAL RECEPTACLE

GREEN

WHITE

BLACK

WHITE

1L

2N

RED & BLUE

GREEN & BLACK

1

2

3

4

5

6

7

8

9

10

11

12

13

14

15

16

17

18

19

20

RED

GREEN

BLACK

BLUE

RED

GREEN

BLACK

BLUE

RED

GREEN

BLACK

BLUE

RED

GREEN

BLACK

BLUE

RED

GREEN

BLACK

BLUE

RED

## Schematic parts list

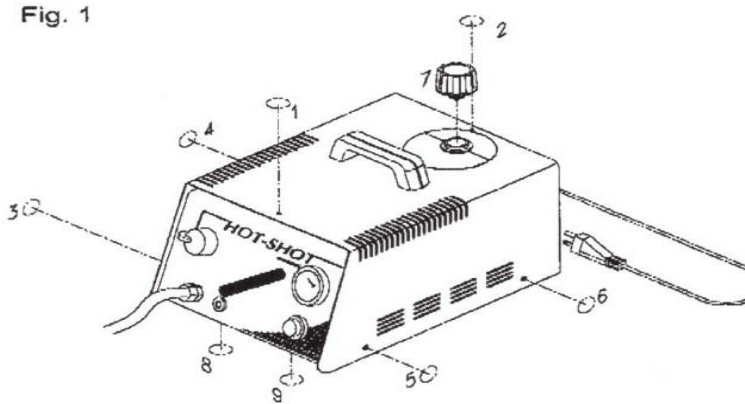
1. CVAE18MTR6 (elbow connection)
5. Comprised of 2,3,&4 EV13COMP (solenoid valve)
8. Comprised of 6 & 7 HSPRES (pressure regulator)
9. TBRA6 (copper tubing)
10. EV1GUARES (heater gasket) specify thickness
11. HRES1400 (heater assembly)
12. HSP.PANAD (front panel overlay)
13. & 14. KNOB (flow knob)
- 15 3000RTA12 (swivel connector)
16. T1 (standard tip)
17. HSPISTCOMP (hose assembly) complete
18. T2 (wide tip)
19. T3 (flat tip)
21. 901 (screw cap)
- 22a & 22b 909 (gasket kit)
- 23a, 23b & 24 TAPWA (drain plug w/washer)
25. PROST (h2o sensor)
26. HS102 (tank)
27. RCT18M-TR6/14F (T-connection)
28. HSFLV2V (flow valve) comprised of 29, 30, 31, 32, 33
34. PRIG-M3X15 (PIN)
35. HSP.FRONT (front panel)
36. PROINTLUM (power switch)
37. CAPD25 (protective cap)
38. EV1MANOM (pressure gauge)
39. PEDELETCOMPJ (foot pedal assembly)

40. Decal
41. 3000PORTPIST (pistol holder)
42. TCT+M3X81 (screw)
- 43 & 44. REL66.82 (power relay)
45. SCHEV.PRO (display PC board)
46. PRE-JKM (foot pedal receptacle)
47. TERMCOMP(temperature probe)
48. 3000TRASF (transformer)
49. EV1MAN (handle)
50. EV1AN (gasket, cover)
51. HSP.COP (stainless steel cover)
52. TSV+M3X81 (cover screw)
53. RDE6IX (washer, chassis)
54. TCCEM6X16I (screw, chassis)
55. FUSE20 (20AMP "fast acting" 250v fuse)
56. PFUSE20 (fuse holder)
57. CVCEEUSA (line cord)
58. PAS-PA107 (line cord holder)
59. HSP.BASE (chassis)
60. V15PIED (rubber foot)
61. ROND5IX (washer)
62. TCT+M4X10I (screw)
63. ROND4.5X20I (washer)
64. TCT+M4X10AZ (screw)
65. TCT+M4X6I (screw)

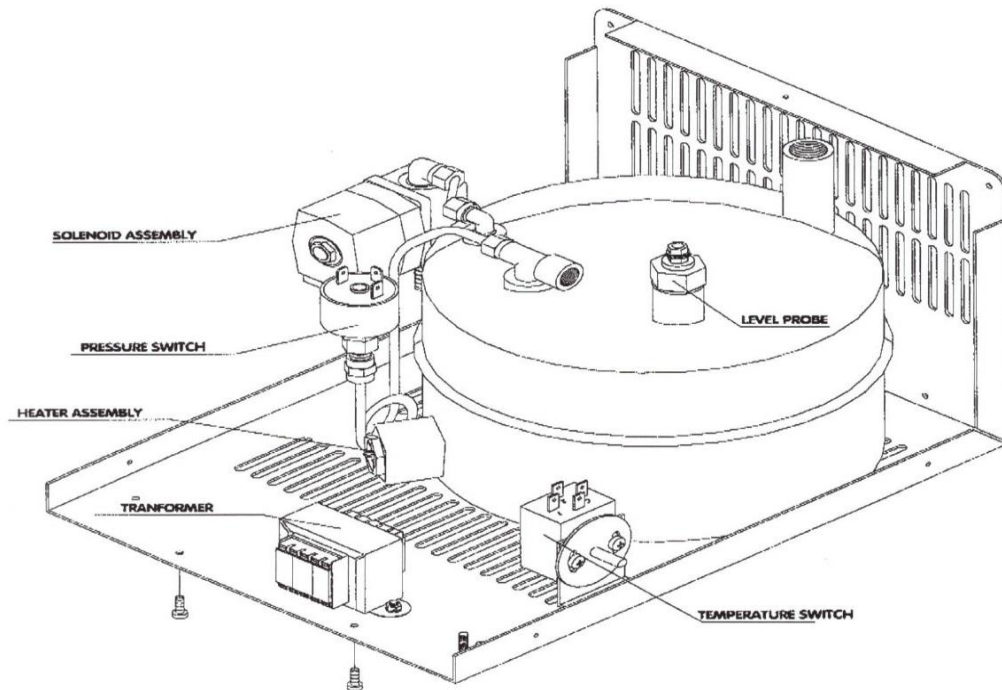
**Clean-Shot** descaler – Part # CSK

## HOUSING REMOVAL

Fig. 1



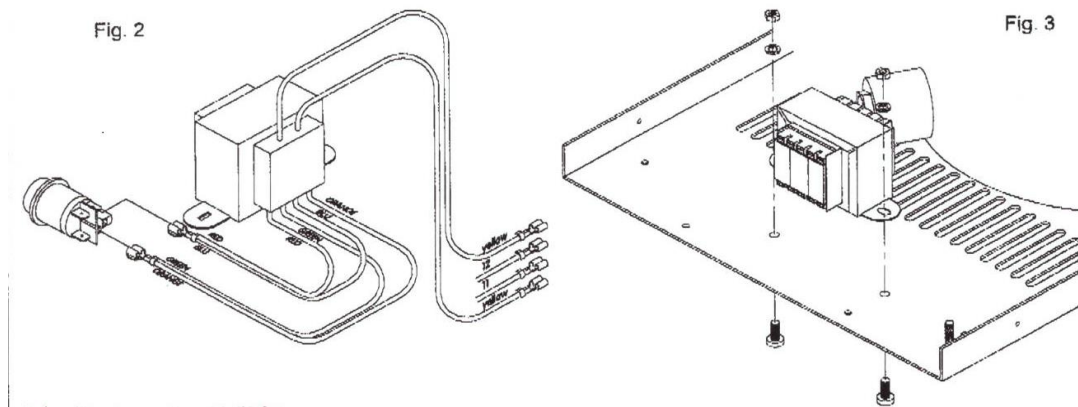
1. Unplug the line cord from the electrical outlet.
2. Make certain that the steamer has cooled and depressurized.
3. Carefully remove the screw cap. (7)
4. With a Phillips head screw driver remove the 6 screws that secure the housing in place: 2 screws are located on the top (1 and 2) and 2 screws are located on each of the sides of the housing cover (3,4 and 5,6).
5. A ground wire is attached to the inside of the housing. It is not necessary to remove this wire as it is of sufficient length to allow the housing to be placed alongside the steamer.
6. Remove the 2 screws located at the bottom of the front panel (8,9).
7. Slightly pull the front panel toward you. This will provide you with better access to the steamer components.



## **TRANSFORMER REPLACEMENT**

Housing removal: steps 1 to 7

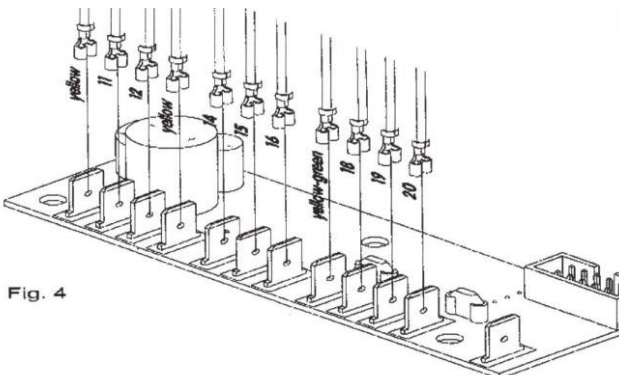
8. Remove the 2 transformer wires that are attached to the clip-on connectors of the display PC board (yellow wires). Fig.2
9. Remove the 4 transformer wires that are attached to the power switch (red, blue, and green, orange). Fig. 2
10. Remove the 2 screws that secure the transformer in place and remove the transformer. Fig. 3
11. Install the new transformer (Fig.3) and reconnect the wires to their respective slip-on connectors as outlined in steps 8 and 9. (Fig. 2)
12. Re-secure the steamer front panel, housing and screw cap. Allow steamer to heat up.



## **DISPLAY BOARD REPLACEMENT**

Housing removal: steps 1 to 6

7. Remove the 11 wires that are attached to the clip-on connectors of the PC Board.
8. Remove the 3 lock washers and the 3 nuts that secure the board in place and remove board.
9. Install the new board and reconnect the wires. (Fig. 4)
10. Re-secure the steamer front panel, housing and screw cap. Allow steamer to heat up

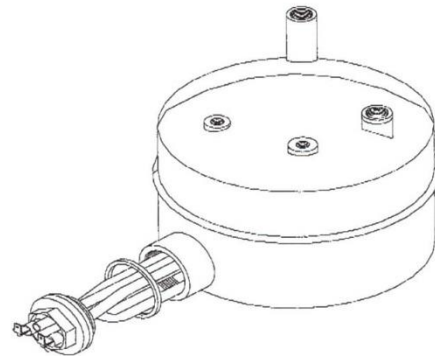
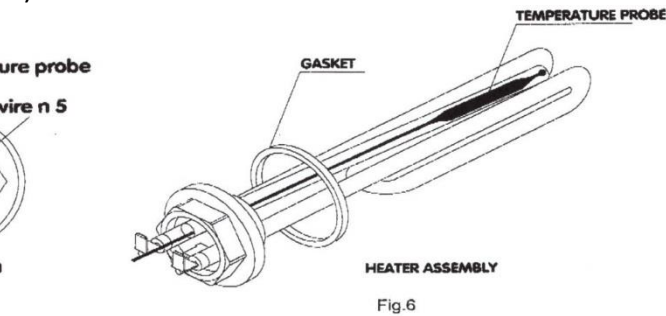
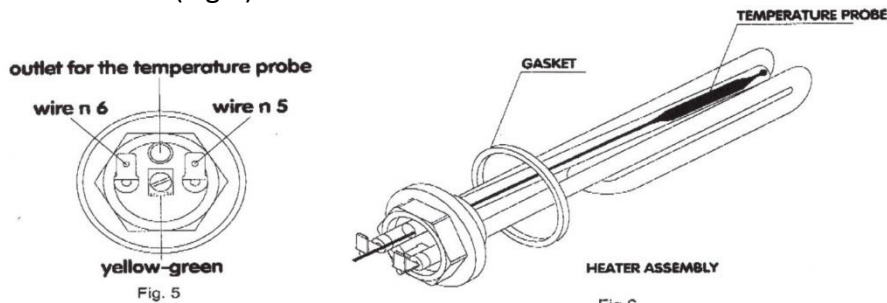


## **HEATER ASSEMBLY REPLACEMENT**

***We recommend that our service center replace the heater assembly as the positioning of the heater is critical to its proper operation. Please note that the warranty on the heater assembly is NOT covered if the end user installs it improperly.***

Housing removal: steps 1 to 7

8. The temperature probe must be removed from the heater assembly. (Note that there may be a small amount of silicone gel holding the probe in place. Remove this gel in order to access the probe).
9. Remove the 3 wires that are attached to the 3 clip-on connectors of the heater. Make sure to note the position of each wire to its corresponding connector before detaching these wires. (Fig.2)



10. Using an adjustable wrench, unscrew the heater assembly from the tank.
11. Remove the old heater assembly.
12. Install the new heater assembly. **Please note that it is imperative for the heater to be re-installed into the tank with the outlet for the temperature probe at the very top of the assembly.** 3 different thickness gaskets are included with the heater assembly. Use the gasket that best allows you to position this outlet at the top of the heater assembly. (Fig.5)
13. Reposition the temperature probe into the outlet.
14. Reconnect the 3 wires to their respective clip-on connectors as outlined in step 9.
15. Re-secure the steamer housing, front panel and screw cap. Allow steamer to heat up.



## **SOLENOID ASSEMBLY REPLACEMENT**

Housing removal: steps 1 to 7

The solenoid assembly is located on the left side of the water tank.

8. Disconnect the 3 wires that are attached to the solenoid assembly. (Fig.7) Make sure to note the position of each wire to its corresponding connector before detaching these wires.
9. Disconnect the spray jet hose from the bottom of the solenoid assembly. Hoses are connected by means of a friction clamp fitting. (Fig. 8) A mini hose clamp is included with the solenoid for re-assembling purposes.
10. Using a wrench, disconnect the solenoid at the juncture where the elbow fitting is connected to the copper tubing at the top of the solenoid. (Fig.8)
11. Remove the old solenoid.
12. Install the new solenoid assembly by reversing steps 8 through 11. Remember: the spray jet hose must be re-attached to the solenoid by means of the mini hose clamp that is provided.
13. Re-secure the steamer front panel, housing and screw cap. Allow steamer to heat up.

Fig. 7

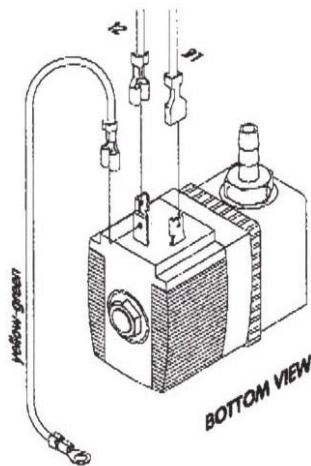
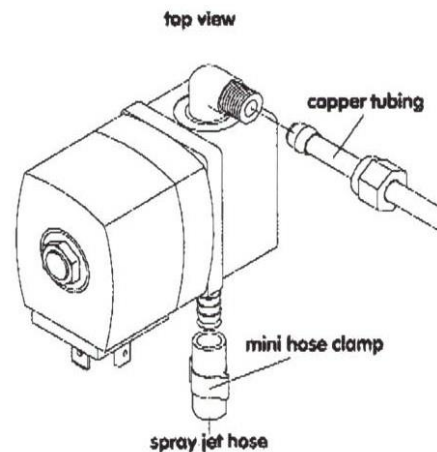


Fig.8



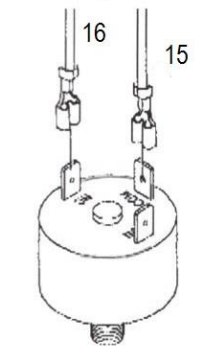


## **PRESSURE REGULATOR REPLACEMENT**

Housing removal: steps 1 to 7

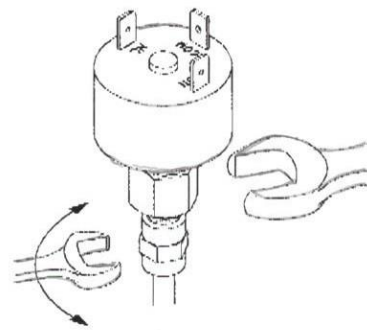
8. Remove the 2 wires that are connected to the top of the pressure regulator. (Fig.9)
9. Using 2 wrenches; (one to hold the pressure regulator securely in place, one to loosen the fitting that secures the pressure regulator to the copper tubing). Disconnect the pressure regulator from the coiled copper tubing. (Fig.10)
10. Install the new pressure regulator reattaching it to the copper tubing.
11. There are 3 metal posts at the top of the pressure regulator. Reattach the 2 wires to the posts marked COM and NC. Do Not attach anything to the post marked NO. These notations appear at the bottom of the post on the surface of the regulator.
12. Re-secure the steamer housing and screw cap. Plug the line cord back into an electrical outlet. Allow steamer to heat up.

Please note that normal operating pressure for the steamer is approximately at the 2 o'clock position on the pressure gauge. It is at this setting that the heating indicator light should shut off. (Fig.11)



**PRESSURE SWITCH**

Fig.9



**PRESSURE SWITCH**

Fig.10

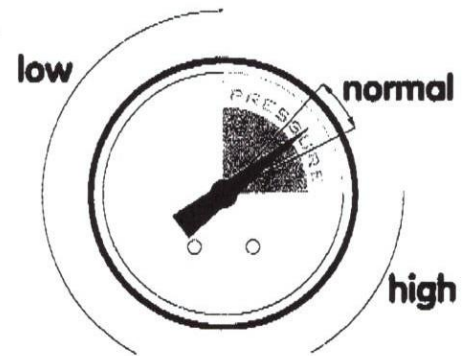


Fig.11

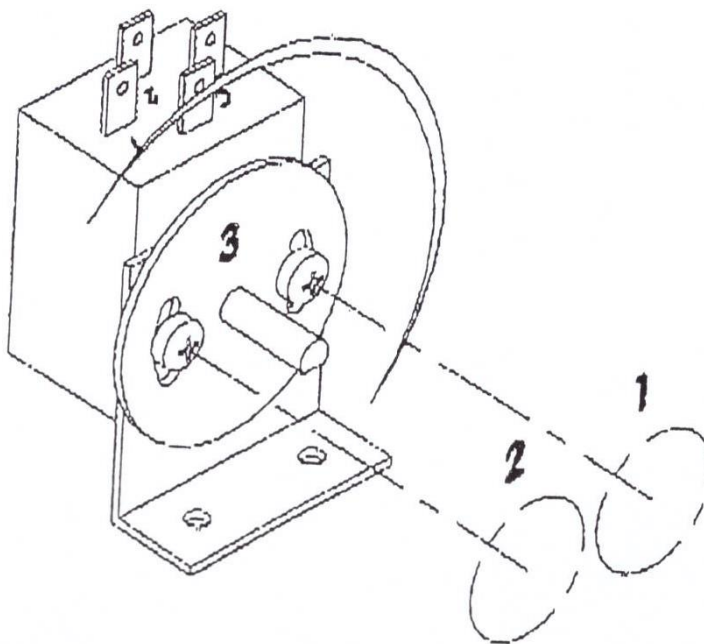
## **THERMOSTAT ADJUSTMENT**

Frequent voltage variations at your wall outlet can cause the Time-To-Clean-Tank LED to illuminate. Should this occur, follow the instructions below to reset the thermostat to accept these fluctuations.

Housing removal: steps 1 through 7

8. Loosen the 2 screws on the thermostat regulation ring. (Fig. 2, #1 & 2)
9. Rotate the regulation ring (#3) clockwise between 1/8" and 1/4".
10. Re-secure the 2 screws (1&2) on the thermostat regulation ring.
11. Re-secure the steamer housing and screw cap. Plug the line cord back into an electrical outlet. Allow steamer to heat up.

Fig. 2



## **STEAM PRESSURE ADJUSTMENT**

Housing removal: steps 1 through 5

6. Remove the red cap located at the center of the pressure regulator. This will expose the adjustment screw. You will need a small flat head screw driver to access this screw.
  - a. To decrease pressure – turn the adjustment screw clockwise approximately  $\frac{1}{4}$  to  $\frac{1}{2}$  turn.
  - b. To increase pressure – turn the adjustment screw counter-clockwise approximately  $\frac{1}{4}$  to  $\frac{1}{2}$  turn.
7. Replace the red cap.
8. Re-secure the steamer housing and screw cap.

Remember, the ideal pressure setting is at the 2 o'clock position as indicated on the pressure gauge.

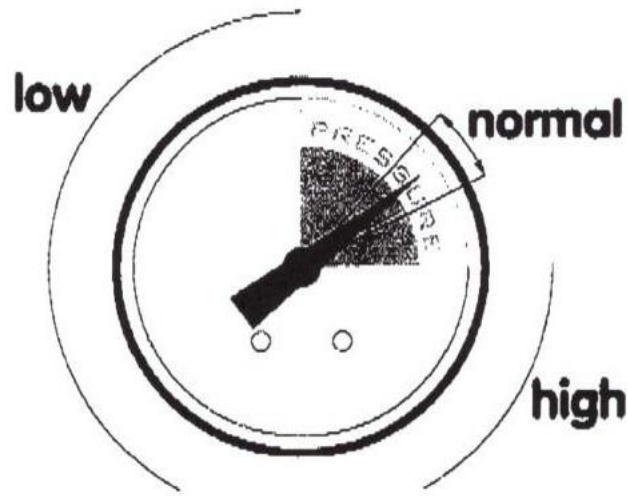


Fig.11

## **GASKET REPLACEMENT INSTRUCTIONS**

(FOR RED DOT SCREW CAP) PRODUCT CODE 909

Please note that both the white Teflon gasket and the orange gasket need to be replaced at the same time.

1. Unscrew the red dot screw cap from the water intake pipe of the steamer.
2. Remove the old white Teflon gasket from the screw cap by placing a flat head screw driver in the center opening of the gasket and applying gentle upward pressure under the edge of the gasket. Also, remove the orange gasket that is underneath the white Teflon gasket.
3. Place a new orange gasket at the opening of the screw cap. Using your thumb, apply firm downward pressure all around the gasket until it is properly seated in the screw cap. Repeat this procedure to insert a new white Teflon gasket over the orange gasket. It is important that both the orange and white gaskets are properly seated before replacing the screw cap onto the water intake pipe.