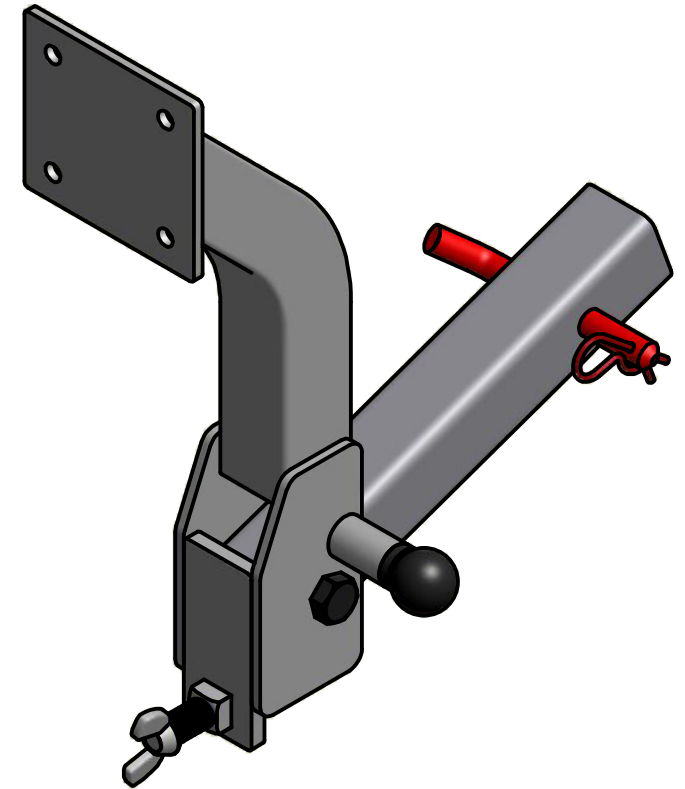
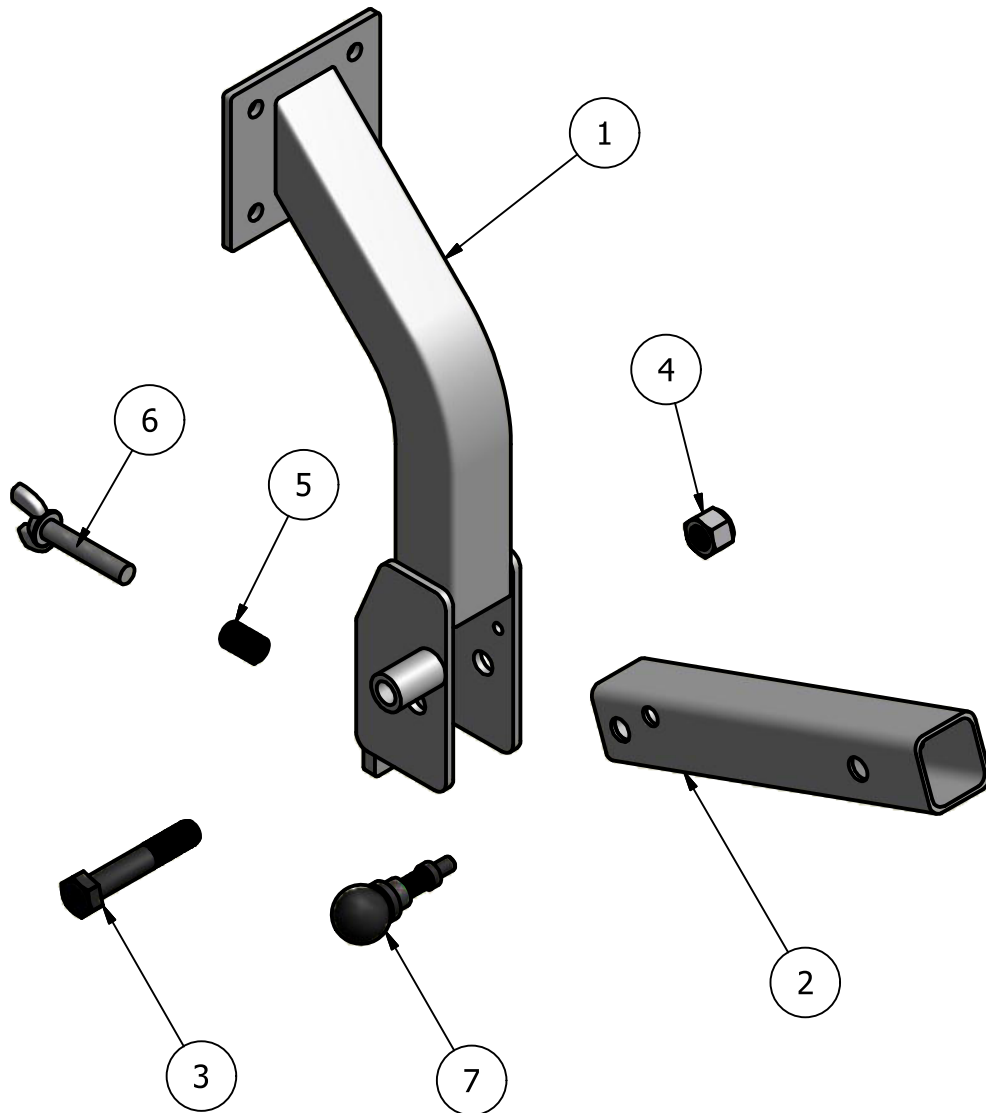




# Dethatcher Arm Assy

\* NOTE: Part Number **69860013** - DTARMCOMP (Includes all parts below 1-7)



Parts List

ITEM	QTY	PART NUMBER	DESCRIPTION
1	1	69860012	Dethatcher Mounting Arm
2	1	69860011	Dethatcher Arm Mount
3	1	69865835	5/8-13 x 3-1/2" Bolt
4	1	69865813	5/8-13 Nyloc Nut
5	1	69860005	Wing Bolt Spring
6	1	69860006	Wing Bolt
7	1	69860003	PoP Pin W/ Lockout Position
*		69860013	DTARMCOMP (Inc. all parts 1-7)