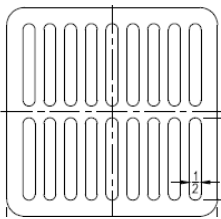
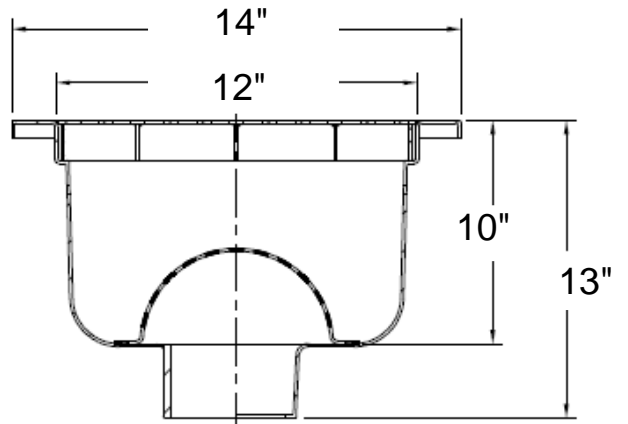
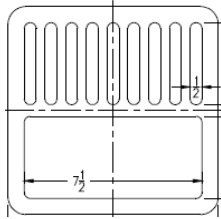


WICKETTS STAINLESS SPECIFICATION

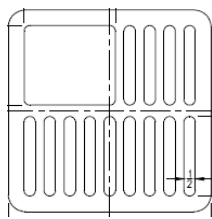
WFS-1414-10 Deep
FLOOR SINK



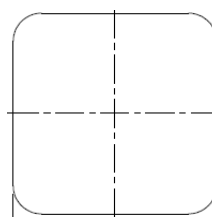
FS
FULL SLOTTED



HS
HALF SLOTTED



3Q
THREE QUARTED
SLOTTED



SG
SOLID GRATE



PDG
PERIMETER
DRAINAGE GRATE

Engineering Specification: 16 GA. 304 Stainless Steel 14 X 14 Floor Sink 10" Deep;

Interior To Be Radius & Polished. 2", 3", 4" Outlet.

Wicketts Stainless, LLC. 2618
San Miguel Dr. Bldg.#376
Newport Beach, CA 92660
Tel: 951-858-2548
Fax: 951-638-9059
Sales@wickettsstainless.com
www.wickettsstainless.com



M-010836

Approved for Manufacturing

Company: _____

Signature: _____

Print: _____ Date: ____/____/____

NON-CANCELABLE

NON- RETURNABLE