



RP880 D4 Work/Rescue Descender

Data Sheet

D4

DESCENDER

Shield Fall Protection

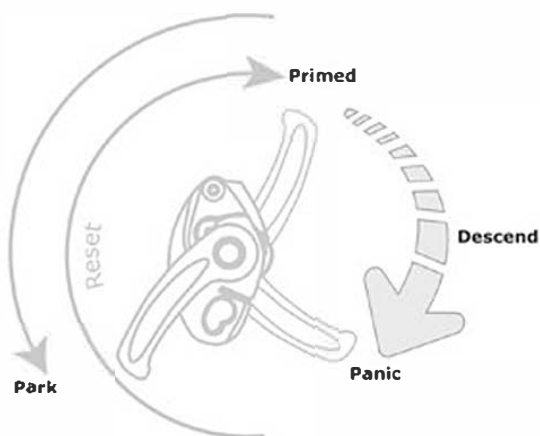
Be Safe, Shield Yourself

climb. work. rescue.

I|S|C

SOLUTIONS IN METAL

The NEW D4 work/rescue descender features a unique and innovative progressive cam action, which offers precise control at slow or fast speeds. The progressive cam works by way of one cam operating inside another cam, to provide a mechanical advantage and smoother control. The D4 is a double-stop device with an auto-lock function which is activated whenever the operator lets go of the handle.



Weight	678g (24oz)
Rated Load	240kg (551lb)
Rope Size	10.5-11.5mm (7/16")
Body Material	Aluminium
Finish	Anodised
MBS	16kN (3597lbf)
Standards	EN12841, ANSI Z359, NFPA 1983

www.shieldfallprotection.com



Shield Fall Protection
Be Safe, Shield Yourself

RP860 D2 Escape Descender

Data Sheet

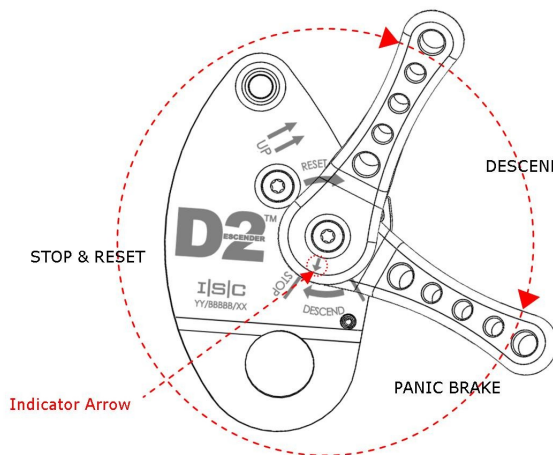


climb. work. rescue.

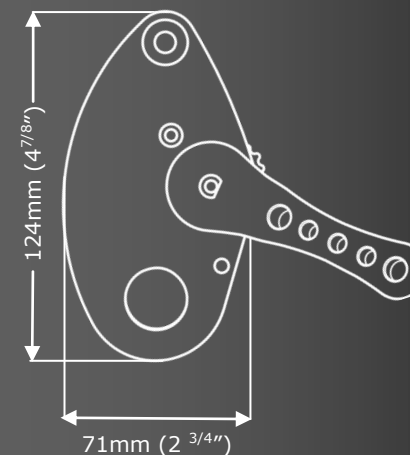


SOLUTIONS IN METAL

www.shieldfallprotection.com



The D2 Escape Descender is a new & innovative 'double-stop' Descender. The ISC engineers developed a new handle operated cam-system specifically so that in a panic situation the D2 Descender would actually stop the descent, rather than just slow it down- the D2 Descender is the only Micro-Descender in the world to offer this function. The D2 is CE tested to 120m maximum descent.



Weight	292g (10.3oz)
Rated Load*	100kg (220lbs)
Rope Size	7-8mm (5/16")
Body Material	Aluminium
Finish	Anodised
MBS	13.5kN (3035lbf)
Standards	EN12841, NFPA 1983

*WLL can be 140kg with a direct connection