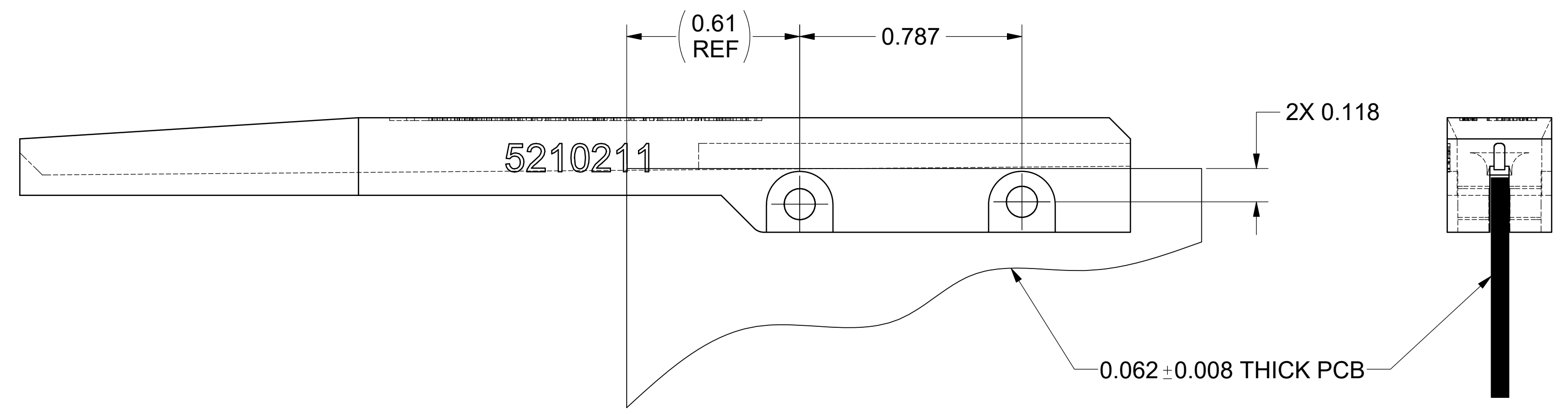
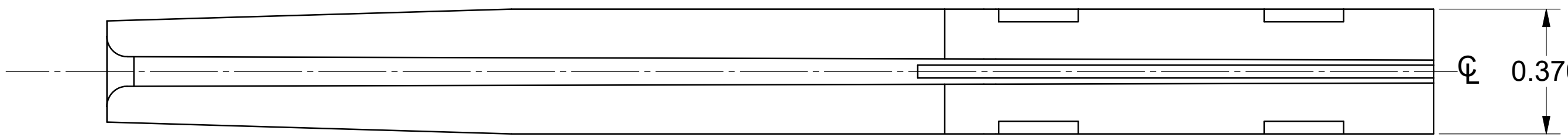
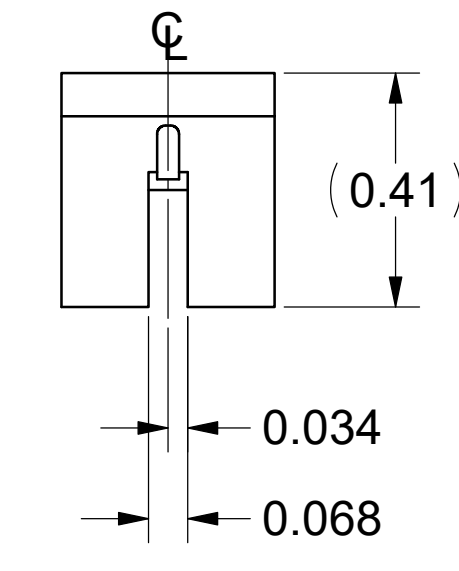
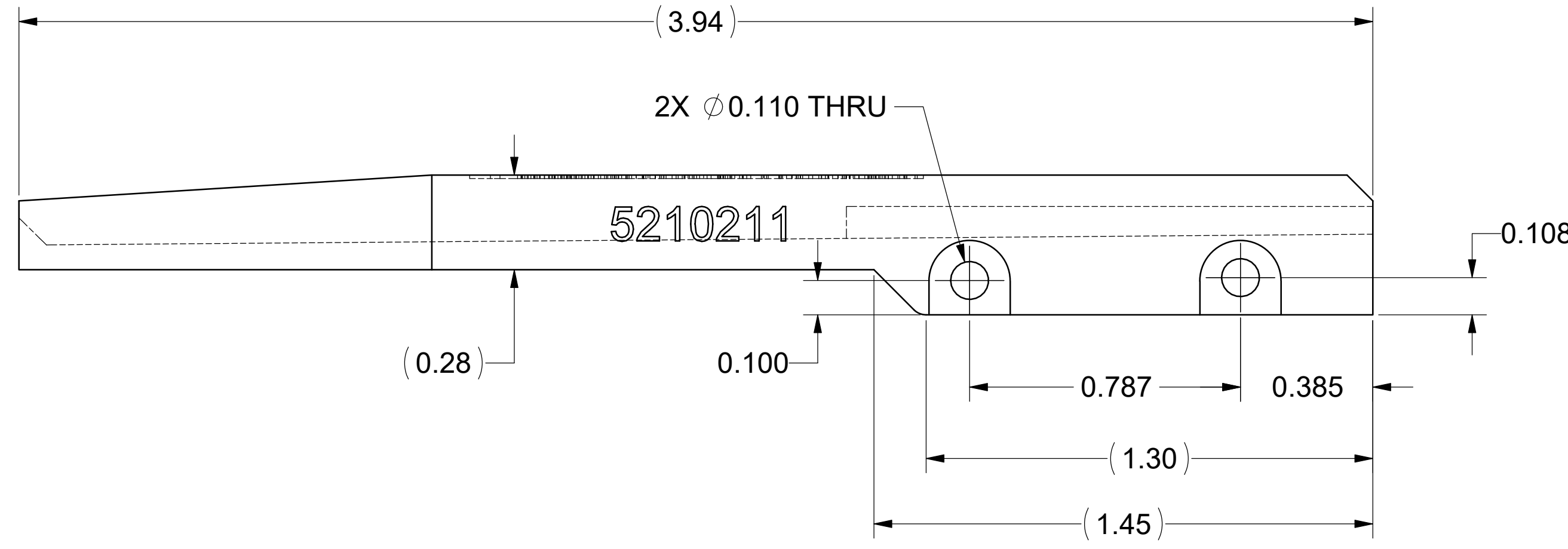
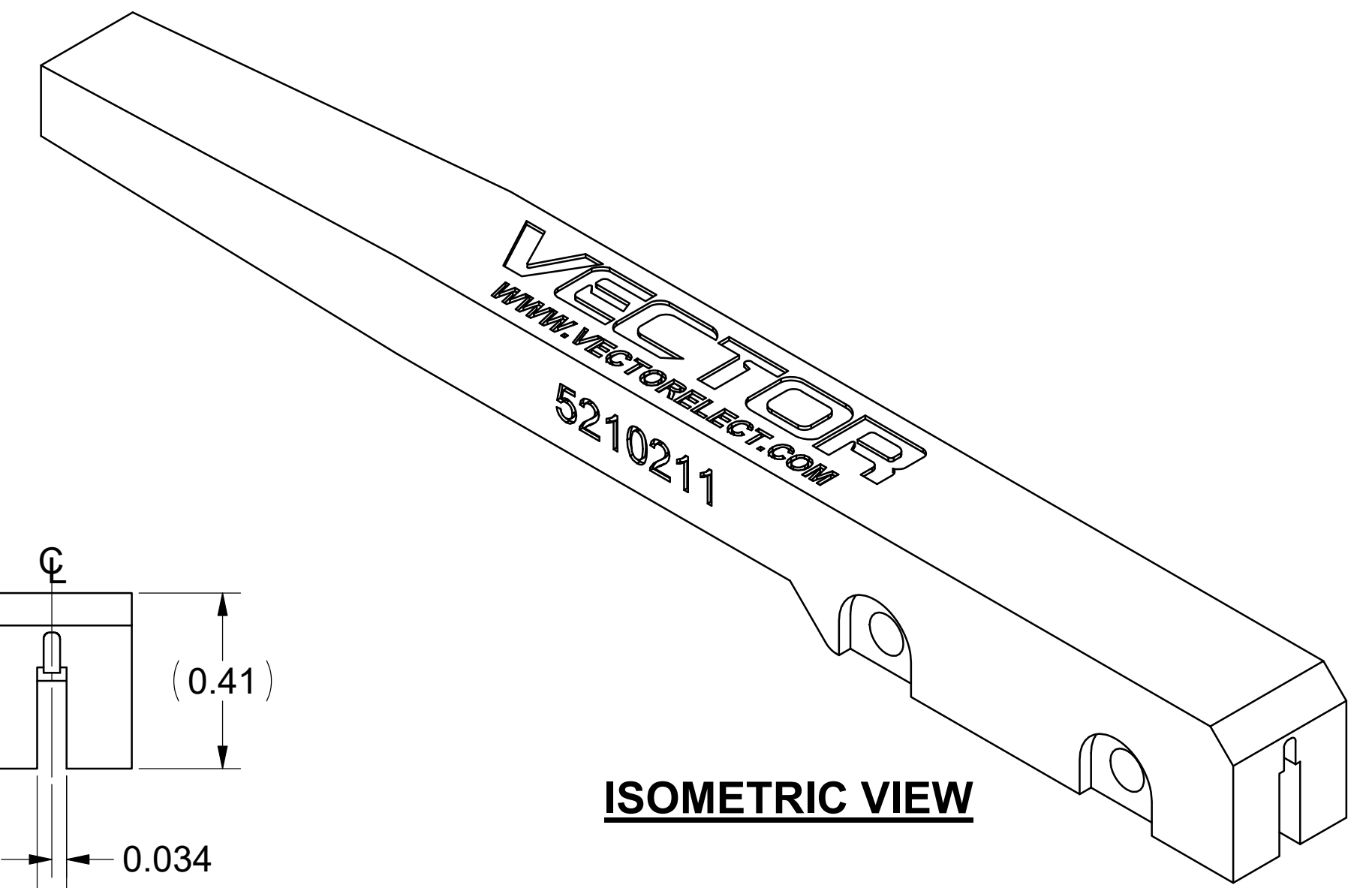


PROPRIETARY AND CONFIDENTIAL  
 THE INFORMATION CONTAINED IN THIS DRAWING IS THE SOLE PROPERTY OF VECTOR ELECTRONICS & TECH., INC. ANY REPRODUCTION IN PART OR AS A WHOLE WITHOUT THE WRITTEN PERMISSION OF VECTOR ELECTRONICS & TECH., INC. IS PROHIBITED.

REVISIONS				
ZONE	REV	DESCRIPTION	DATE	APPROVED
ALL	A	INITIAL RELEASE	09/08/10	
ALL	B	ADDED VECTOR LOGO, PART NO	02/04/19	



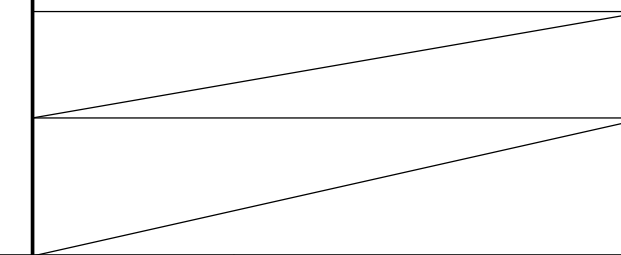
**RECOMMENDED PCB MOUNTING**

UNLESS OTHERWISE SPECIFIED  
 DIMENSIONS ARE IN INCHES  
 TOLERANCES:  
 DEC .X ±.050  
 DEC .XX ±.030  
 DEC .XXX ±.010  
 FRACTIONS ±.050  
 ANGLES ±1°

APPROVALS	NAME	DATE
DRAWN	TRUSHAR	09/08/10
CHECKED		
ENGINEER		
QA		

**VECTOR** 11115 VANOWEN ST.,  
 NORTH HOLLYWOOD, CA 91605  
 ELECTRONICS & TECHNOLOGY, INC. www.vectorelect.com

**EXTENDER CARD BRACKET**



THIRD ANGLE PROJECTION

SIZE	DWG. NO.	REV
D	5210211#	B
SCALE: 3:1	CAGE CODE: 82893	SHEET 1 OF 1

1. MATERIAL : NYLON 6/6, 30% GLASS, V0, RoHS, COLOR : RED, RAL 3002

NOTES : UNLESS OTHERWISE SPECIFIED