



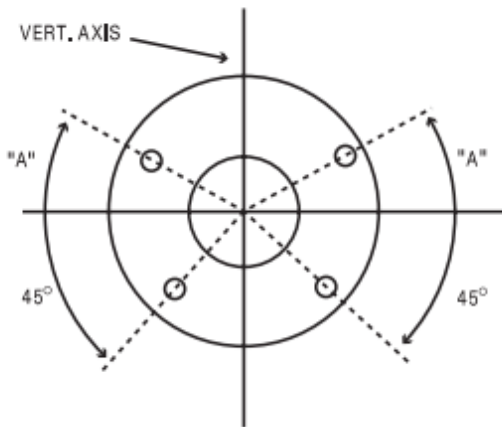
TRANS-VALVE
SPECIALTY VALVES FOR INDUSTRY

Figure 105 B

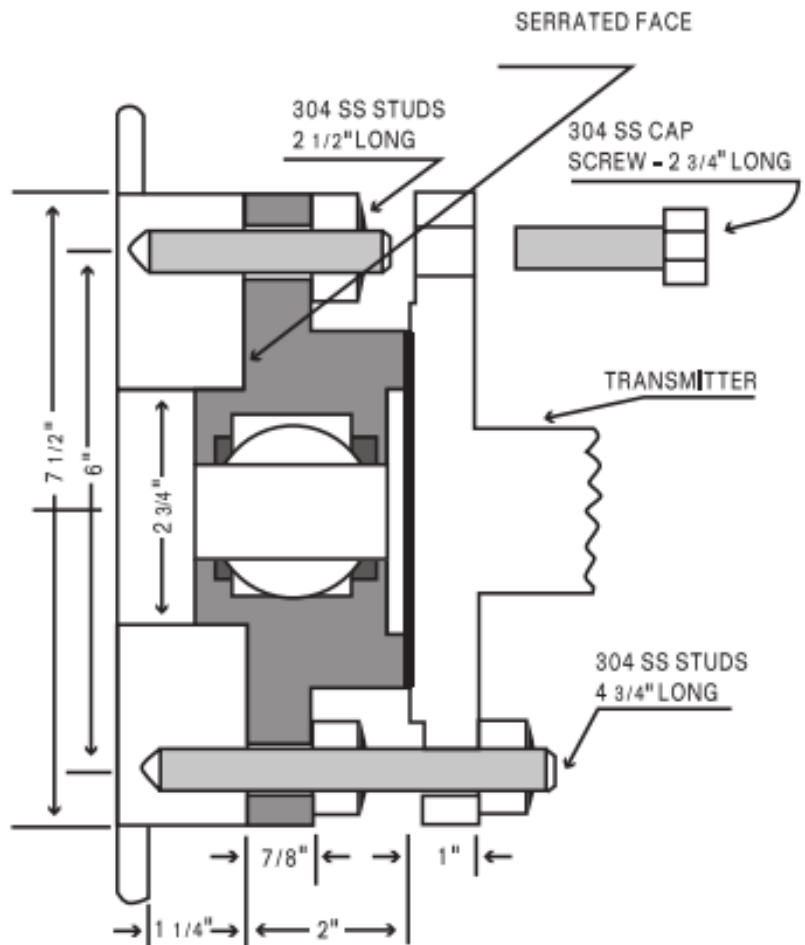
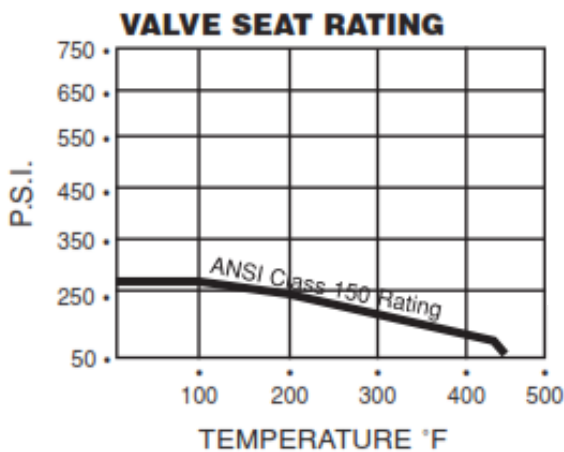
Transmitter Isolation Ball Valve

Fig. 105 B Technical and Dimensional Data:

Fig. 105 B has a stud bolt orientation designed for knife gate valve replacement.



MANUFACTURERS	ANGLE "A"
TRANS-VALVE	26°
FABRI	25°
DEZURIK	27°



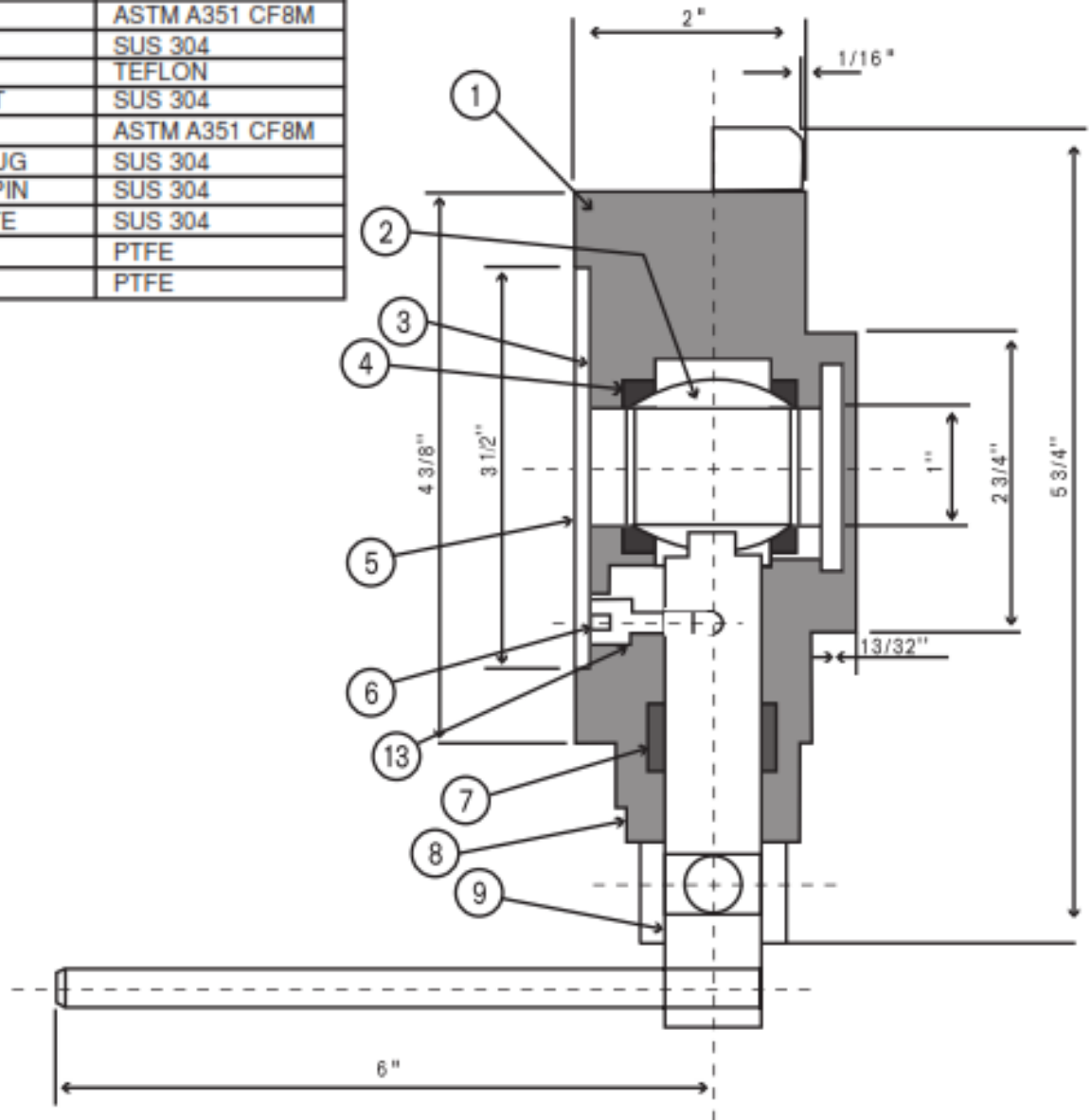


TRANS-VALVE
— SPECIALTY VALVES FOR INDUSTRY —

Figure 105 B

Transmitter Isolation Ball Valve

ITEM	DESCRIPTION	MATERIAL
1	BODY	ASTM A351 CF8M
2	BALL	ASTM A351 CF8M
3	RETAINER GASKET	TEFLON
4	SEAT	RTFE
5	RETAINER	ASTM A351 CF8M
6	STOP PIN	SUS 304
7	PACKING	TEFLON
8	GLAND NUT	SUS 304
9	STEM	ASTM A351 CF8M
10	1/4 NPT PLUG	SUS 304
11	LOCKOUT PIN	SUS 304
12	NAME PLATE	SUS 304
13	SEAL	PTFE
14	SEAL	PTFE





TRANS-VALVE
— SPECIALTY VALVES FOR INDUSTRY —

Figure 105 B

Transmitter Isolation Ball Valve

