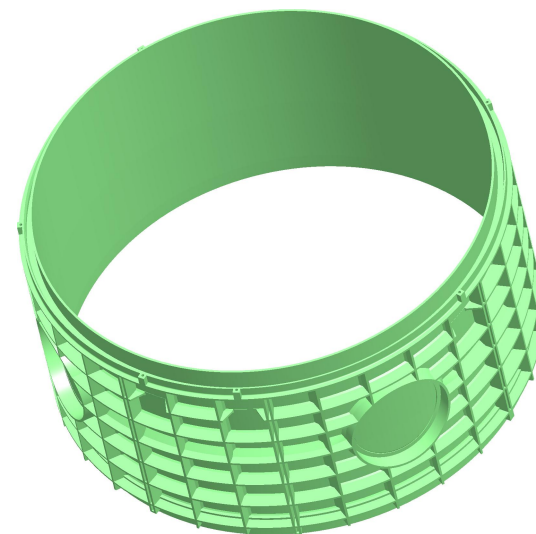
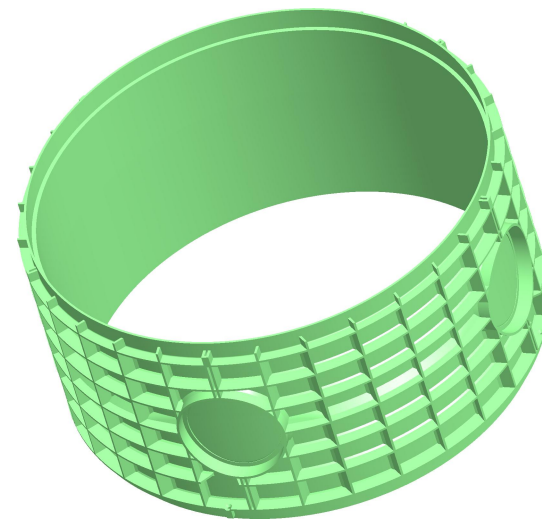
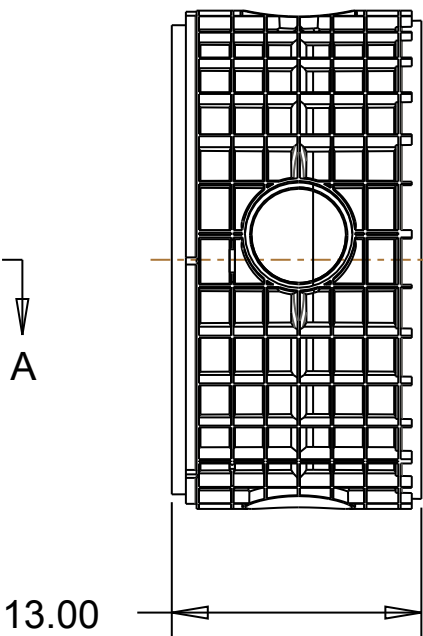
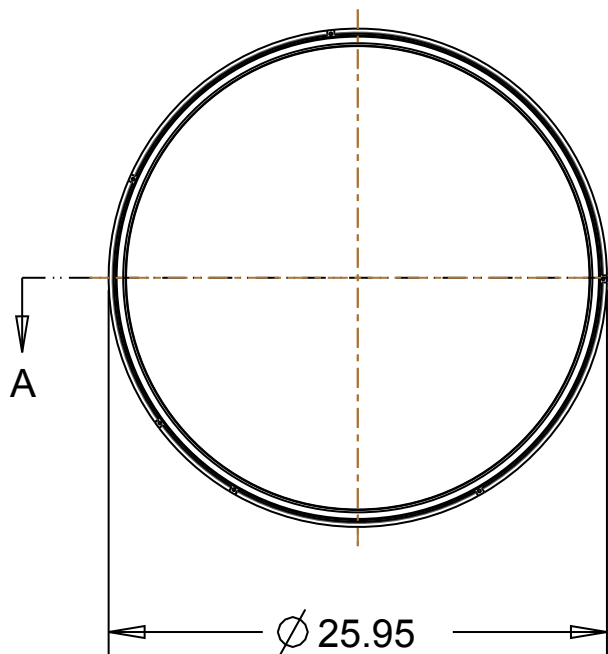


SECTION A-A



Material: Copolymer Polypropylene  
Color: Green



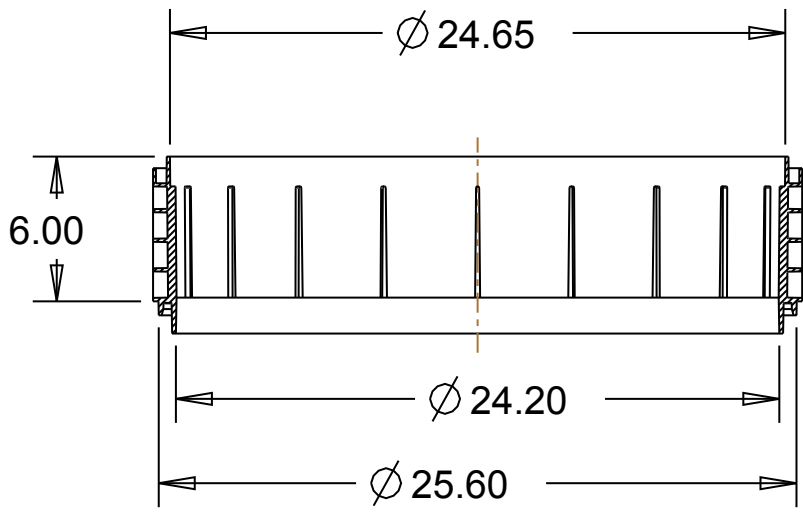
**Drainage and Septic Products**

Tuf-Tite, Inc.  
1200 Flex Court  
Lake Zurich, Illinois 60047

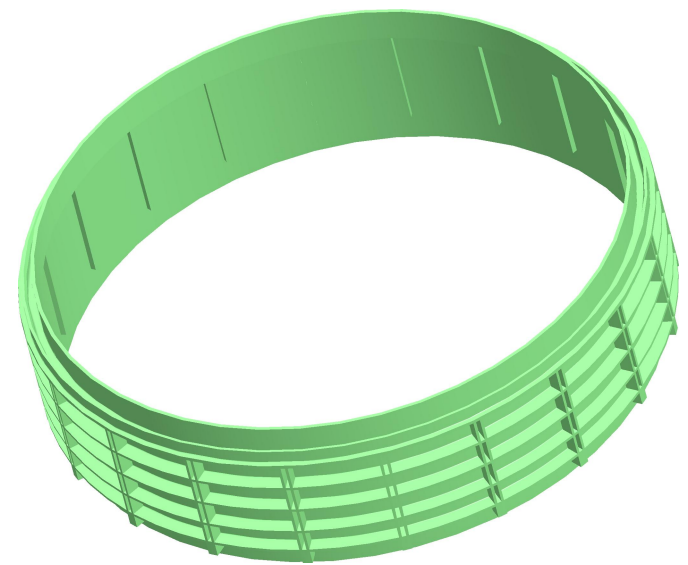
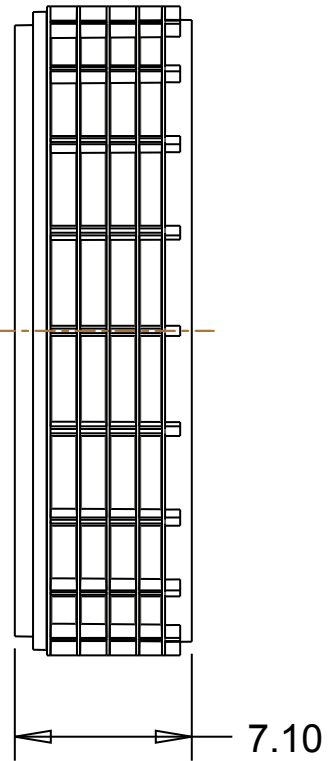
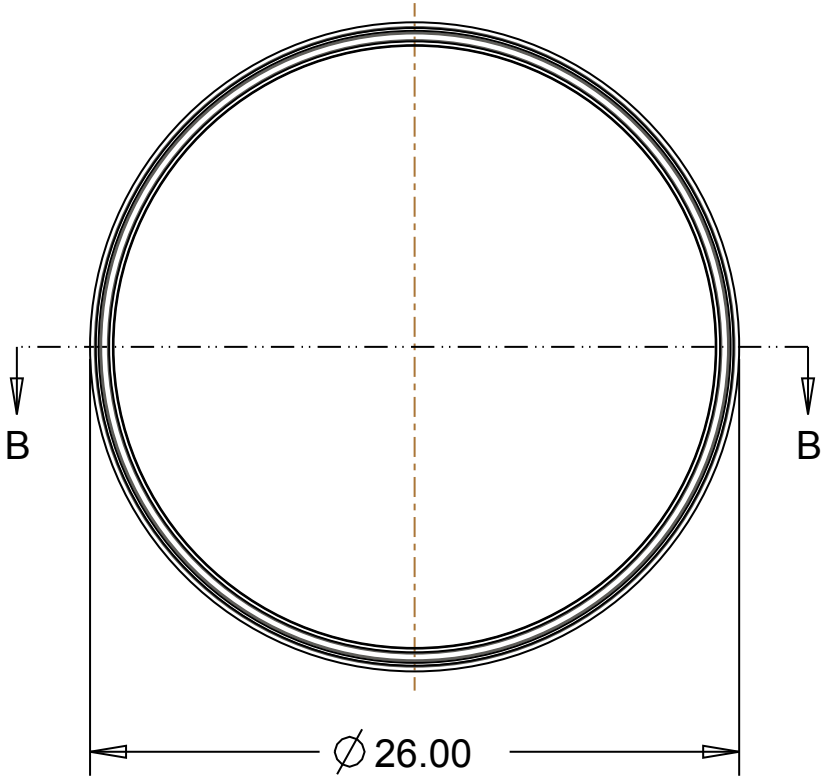
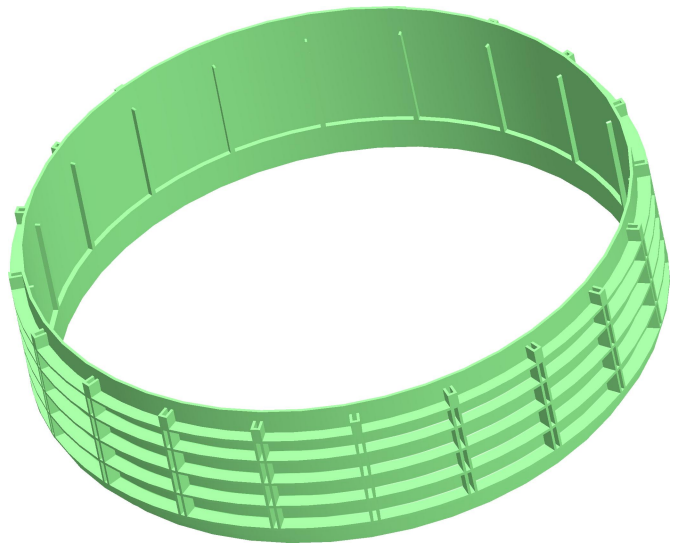
TELEPHONE: 847.550.1011  
TOLL FREE: 800.382.7009  
FAX: 847.550.8004

PART NAME: 24 X 12 RISER

PART #: 24 X 12 - RIS - GREEN



SECTION B-B



Material: Copolymer Polypropylene  
Color: Green



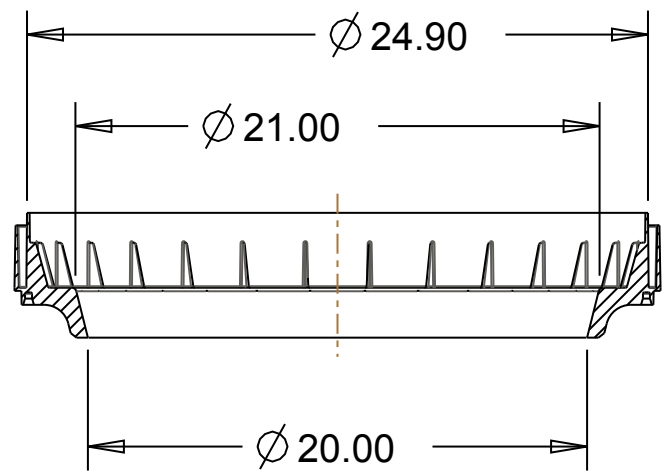
**Drainage and Septic Products**

Tuf-Tite, Inc.  
1200 Flex Court  
Lake Zurich, Illinois 60047

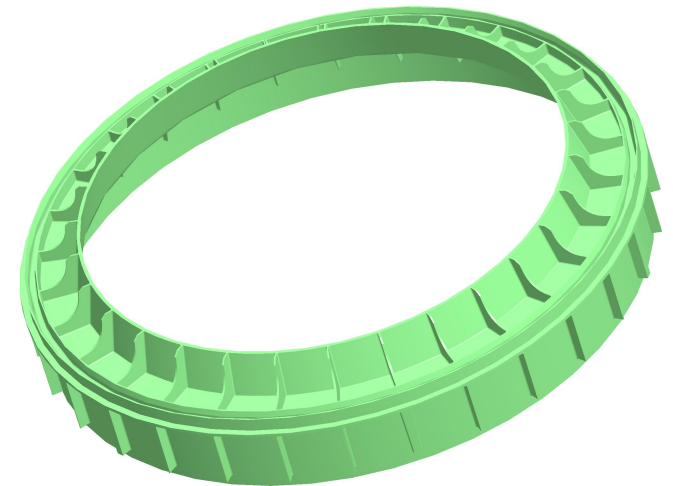
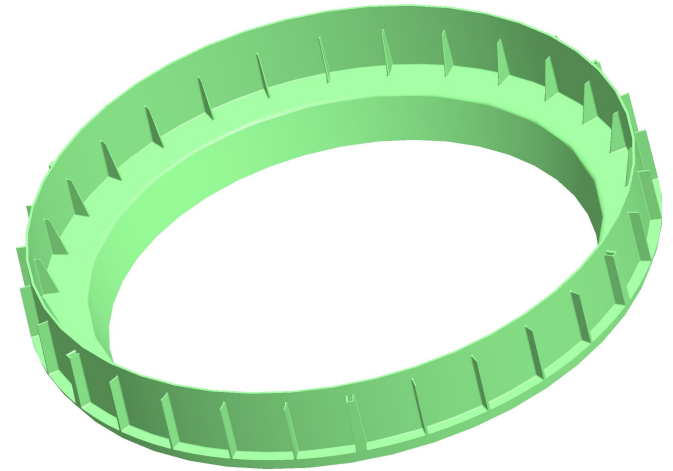
TELEPHONE: 847.550.1011  
TOLL FREE: 800.382.7009  
FAX: 847.550.8004

**PART NAME:**  
**24" RISER**

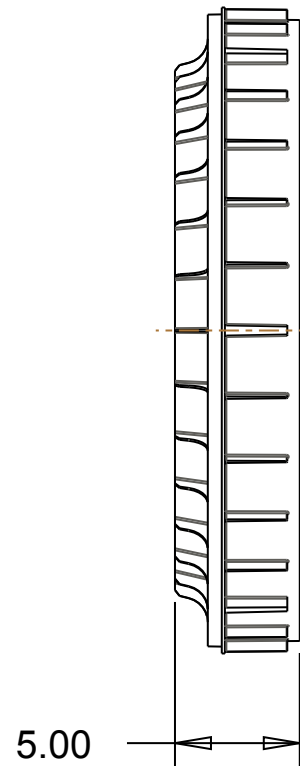
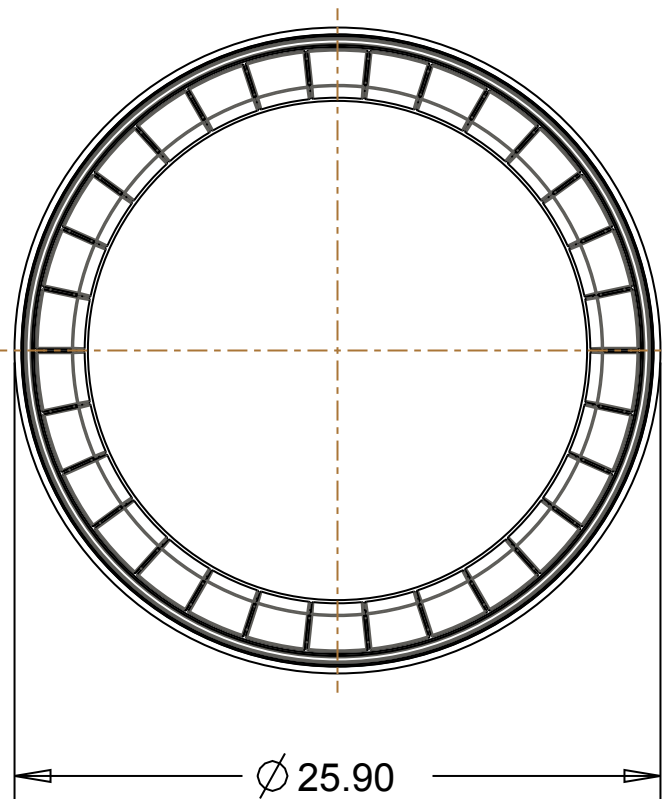
**PART #:**  
**24- RIS - GREEN**



SECTION A-A



Material: Copolymer Polypropylene  
Color: Green



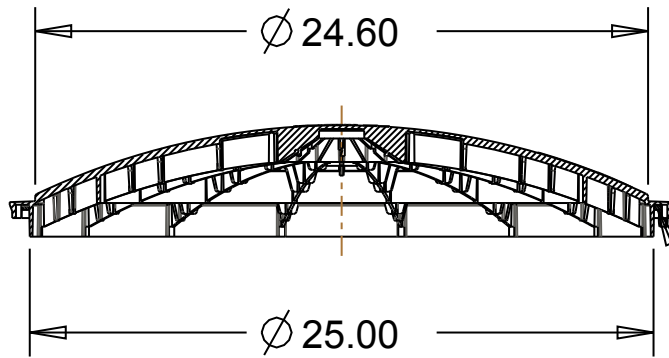
**Drainage and Septic Products**

Tuf-Tite, Inc.  
1200 Flex Court  
Lake Zurich, Illinois 60047

TELEPHONE: 847.550.1011  
TOLL FREE: 800.382.7009  
FAX: 847.550.8004

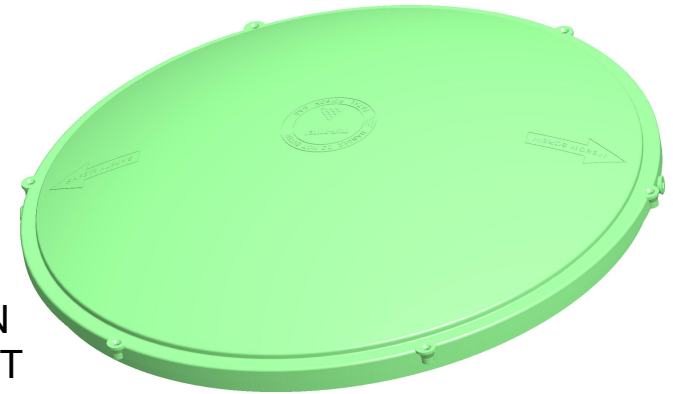
PART NAME: 24" RISER PAN

PART #: 24 - RISP - GREEN

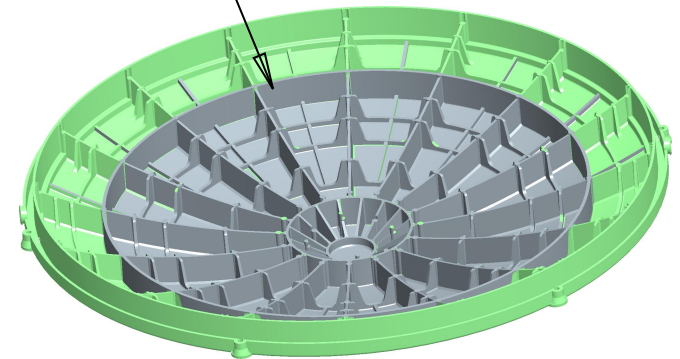
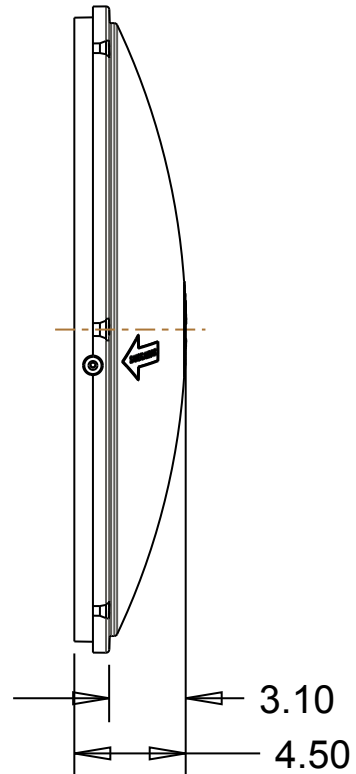
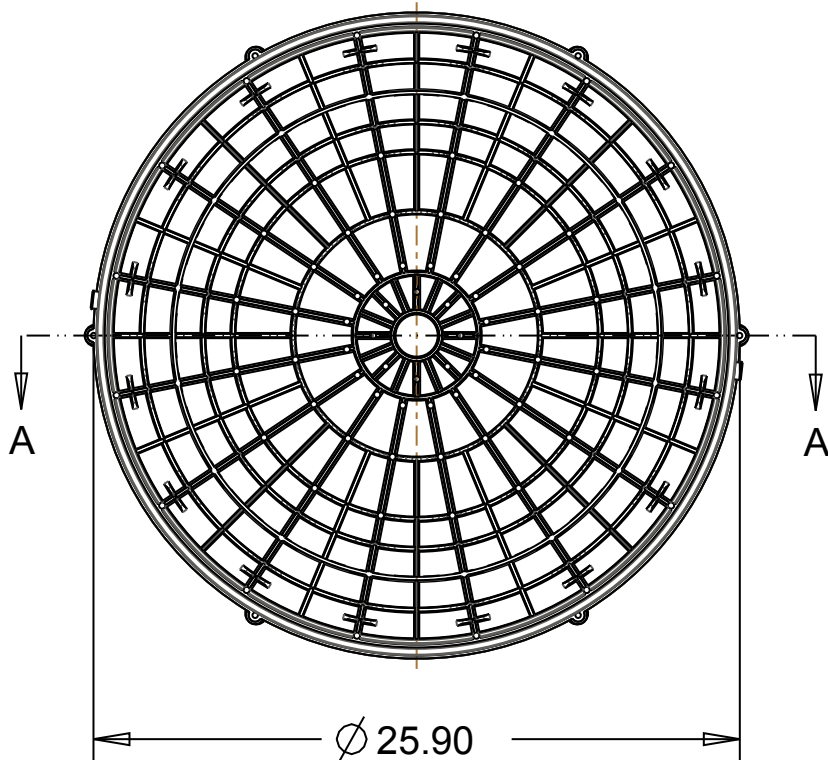


SECTION A-A

PERMANENT FOAMED-IN POLYURETHANE GASKET



THIS AREA MAY BE FILLED WITH CONCRETE FOR ADDITIONAL WEIGHT



Material: Copolymer Polypropylene  
Color: Green



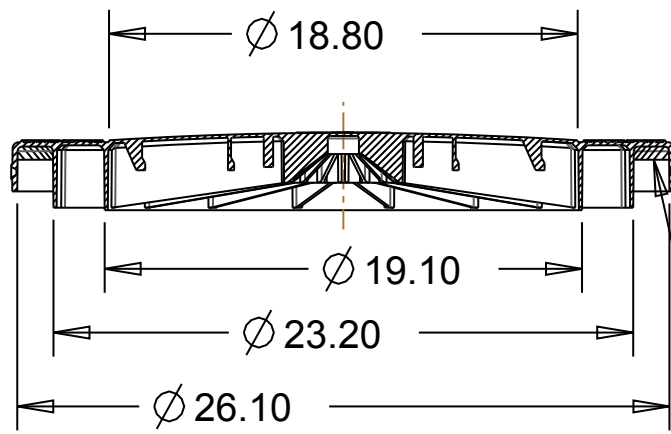
**Drainage and Septic Products**

Tuf-Tite, Inc.  
1200 Flex Court  
Lake Zurich, Illinois 60047

TELEPHONE: 847.550.1011  
TOLL FREE: 800.382.7009  
FAX: 847.550.8004

PART NAME:  
**24" RISER LID**

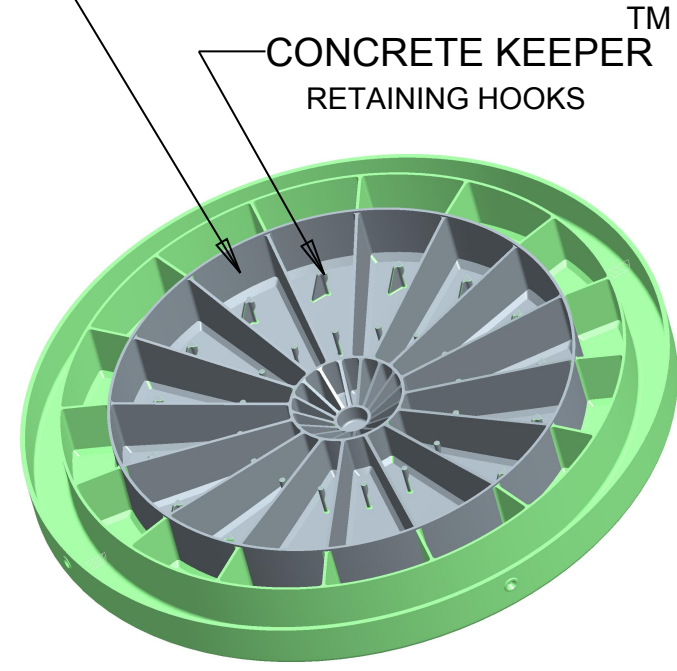
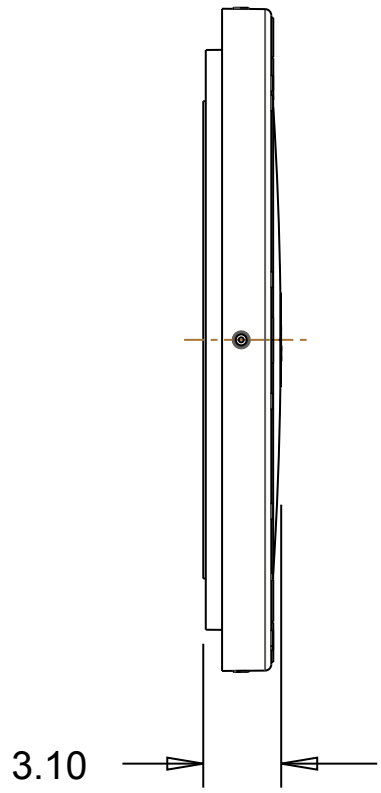
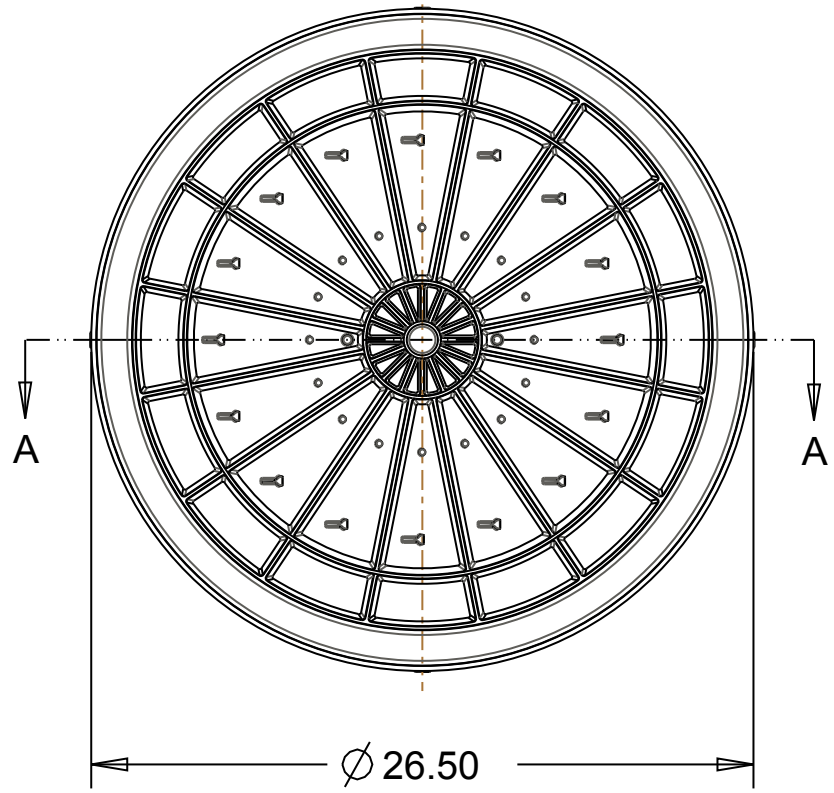
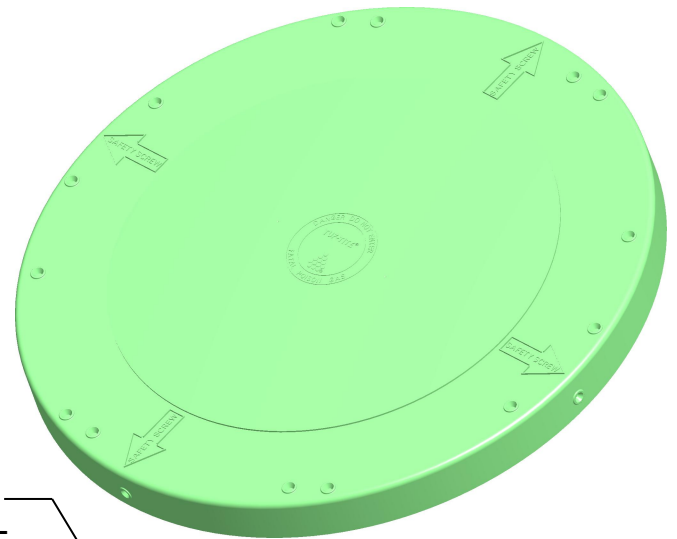
PART #:  
**24 - RISL - GREEN**



SECTION A-A

PERMANENT FOAMED-IN POLYURETHANE GASKET

THIS AREA MAY BE FILLED WITH CONCRETE FOR ADDITIONAL WEIGHT



Material: Copolymer Polypropylene  
Color: Green



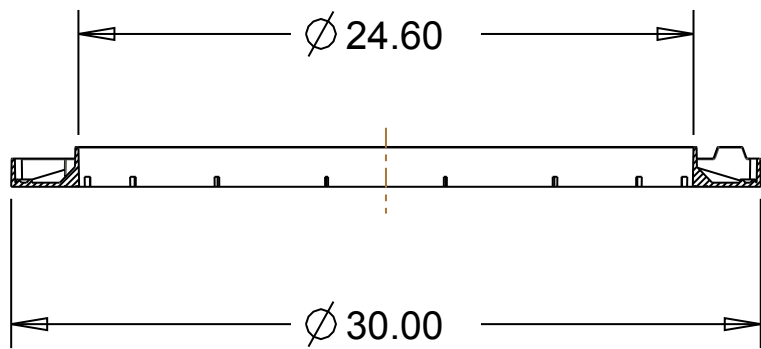
**Drainage and Septic Products**

Tuf-Tite, Inc.  
1200 Flex Court  
Lake Zurich, Illinois 60047

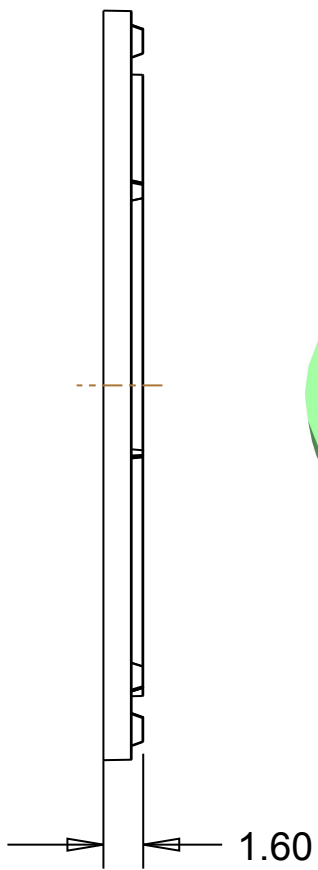
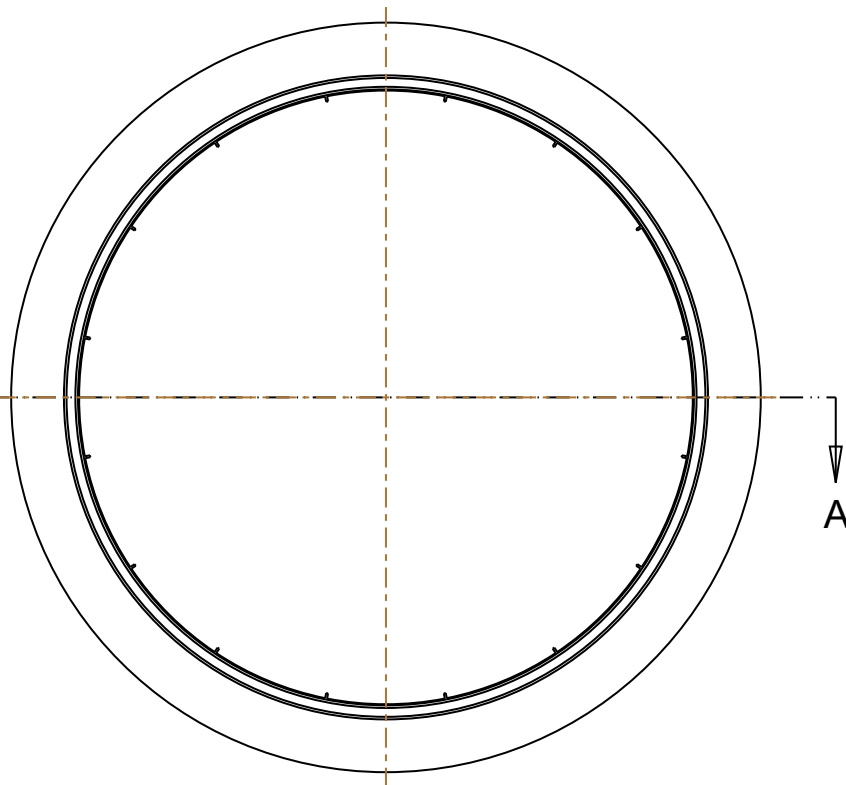
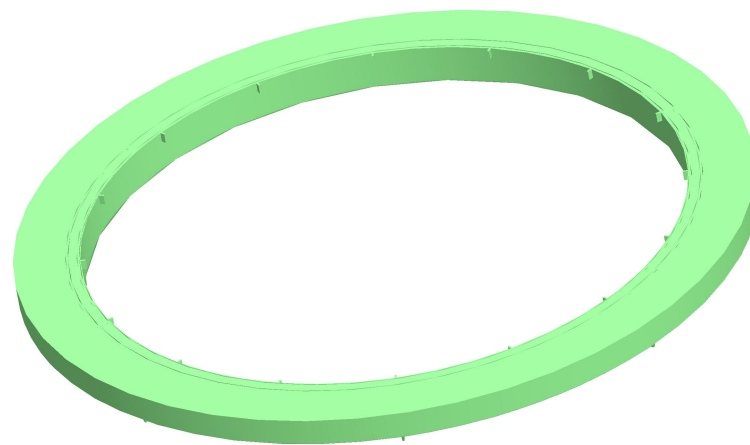
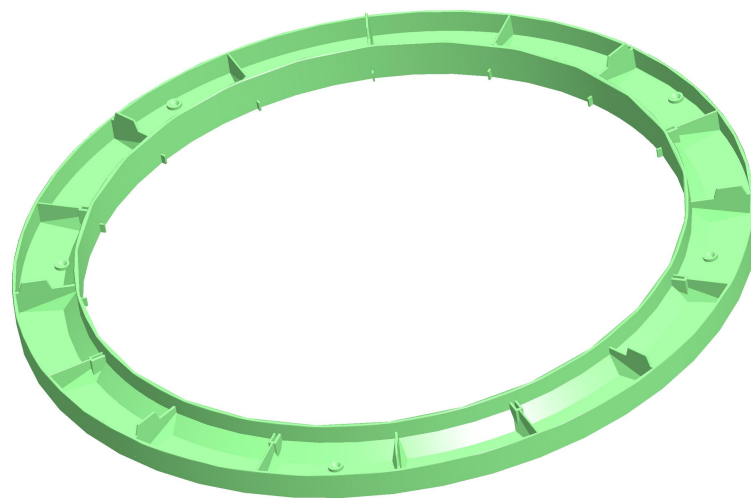
TELEPHONE: 847.550.1011  
TOLL FREE: 800.382.7009  
FAX: 847.550.8004

PART NAME:  
**24" FLAT LID**

PART #:  
**24 - FLAT**



SECTION A-A



Material: Copolymer Polypropylene  
Color: Green

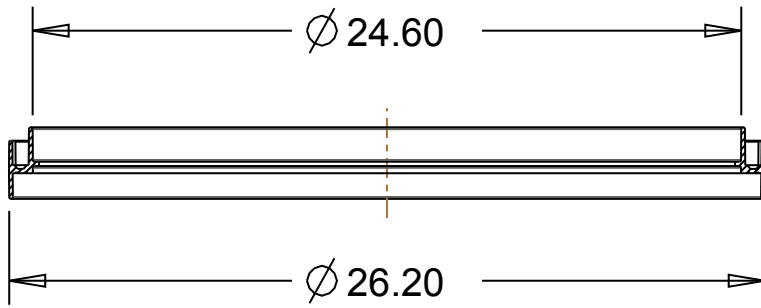


**Drainage and Septic Products**

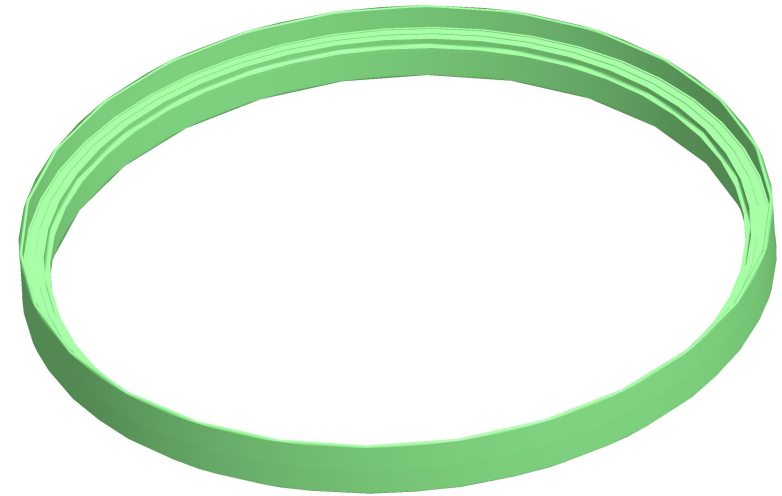
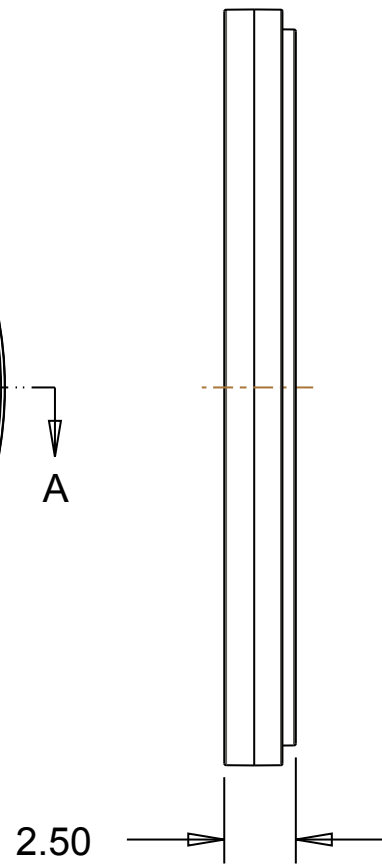
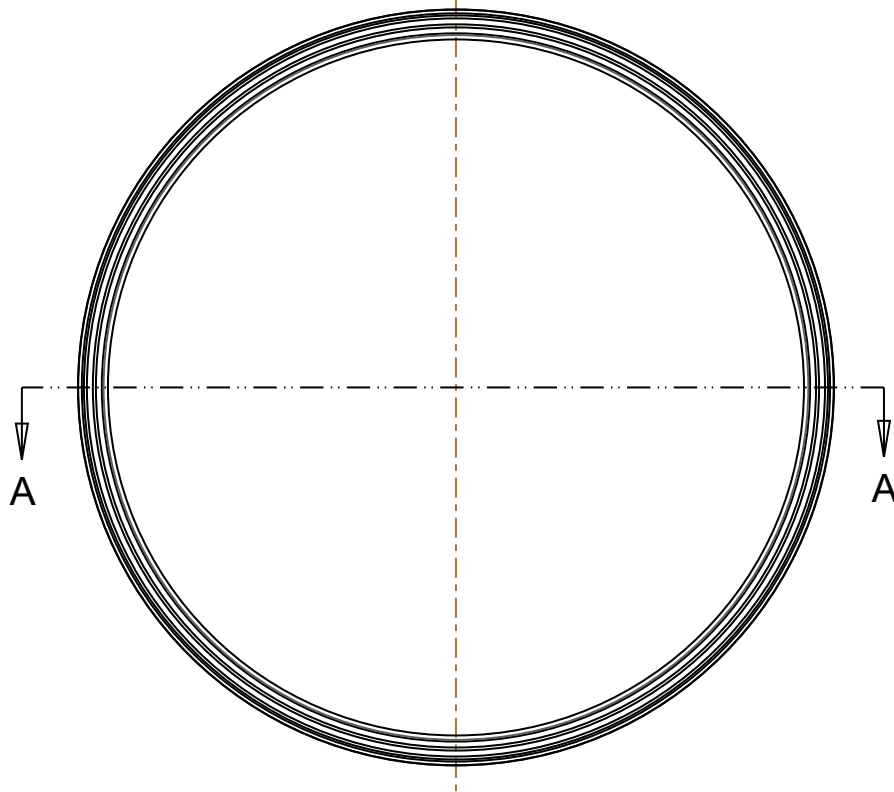
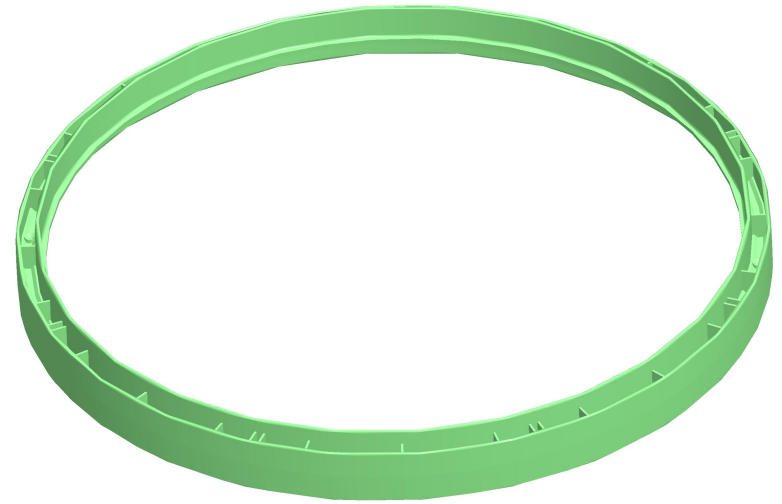
Tuf-Tite, Inc.  
1200 Flex Court  
Lake Zurich, Illinois 60047

TELEPHONE: 847.550.1011  
TOLL FREE: 800.382.7009  
FAX: 847.550.8004

PART NAME:	24" TAR
PART #:	24 - TAR - GREEN



SECTION A-A



Material: Copolymer Polypropylene  
Color: Green



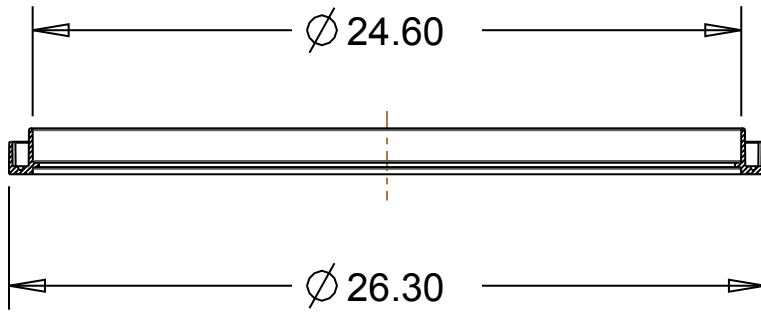
**Drainage and Septic Products**

Tuf-Tite, Inc.  
1200 Flex Court  
Lake Zurich, Illinois 60047

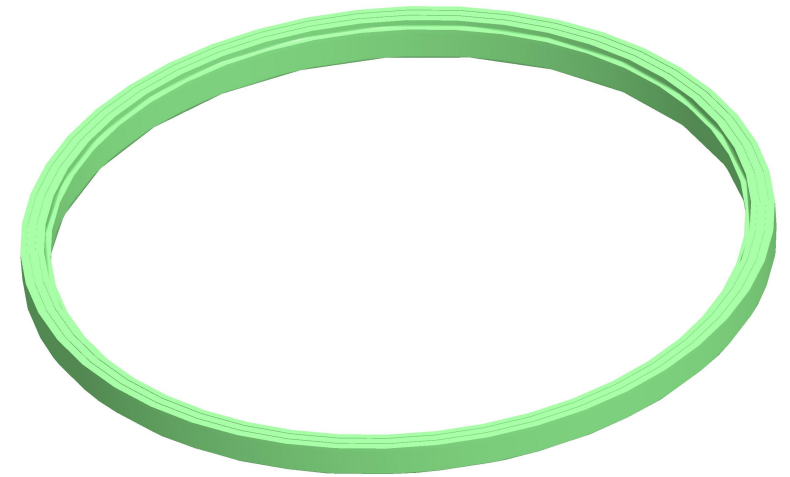
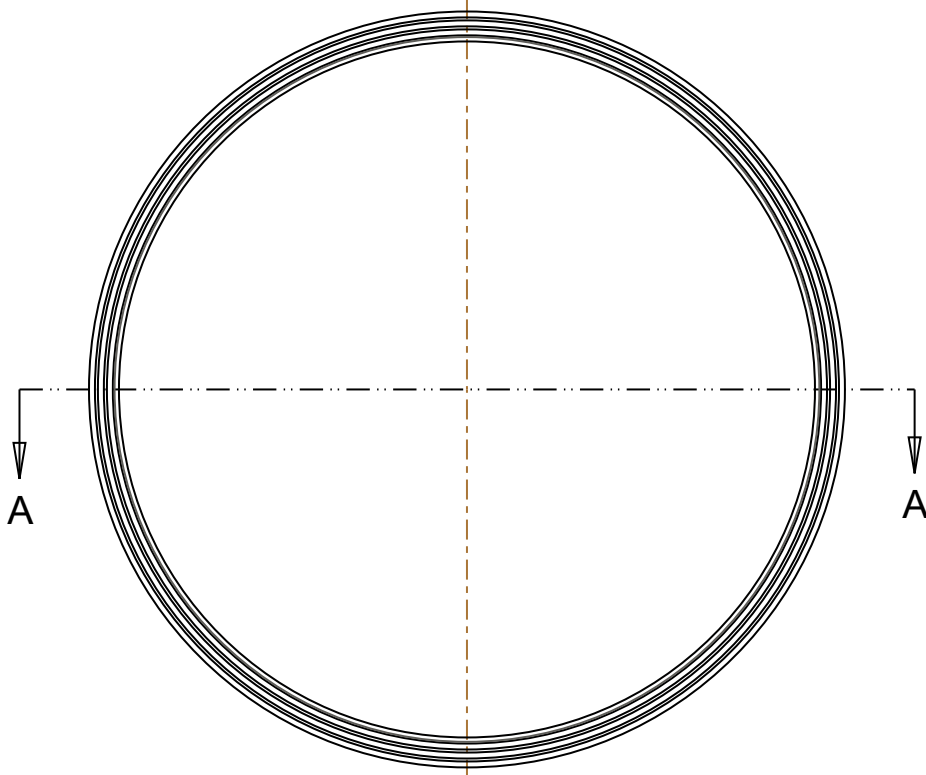
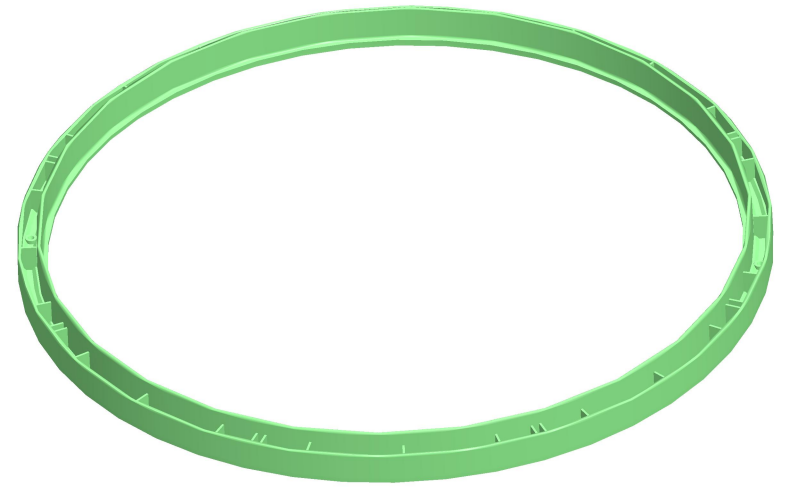
TELEPHONE: 847.550.1011  
TOLL FREE: 800.382.7009  
FAX: 847.550.8004

PART NAME:  
24" RTR

PART #:  
24 - RTR - GREEN



SECTION A-A



Material: Copolymer Polypropylene  
Color: Green



**Drainage and Septic Products**

Tuf-Tite, Inc.  
1200 Flex Court  
Lake Zurich, Illinois 60047

TELEPHONE: 847.550.1011  
TOLL FREE: 800.382.7009  
FAX: 847.550.8004

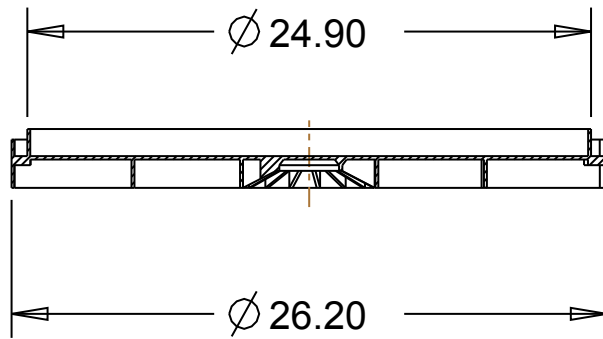
**PART NAME:**

**24" RTT**

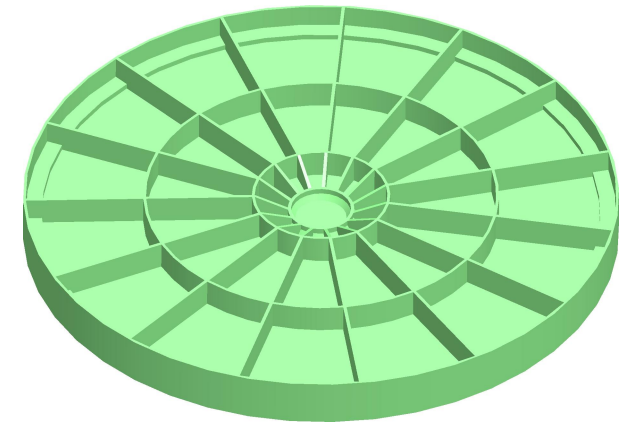
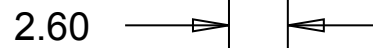
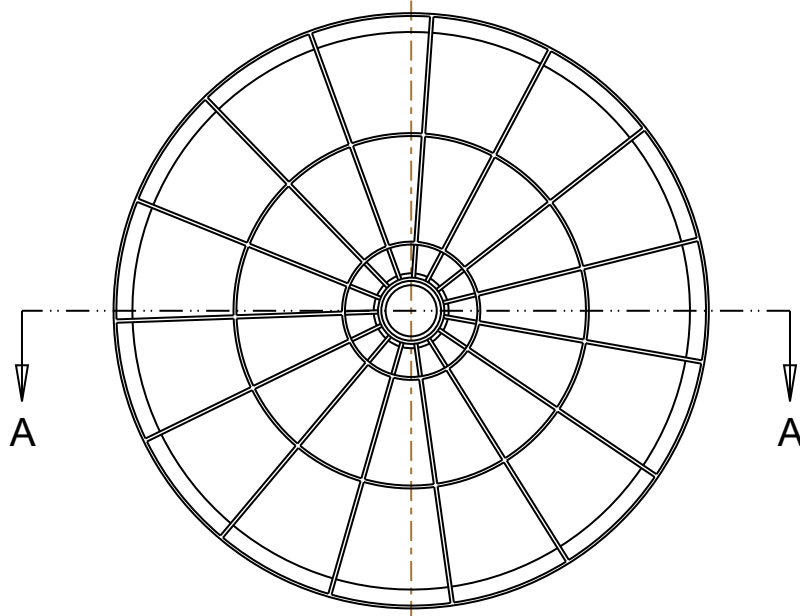
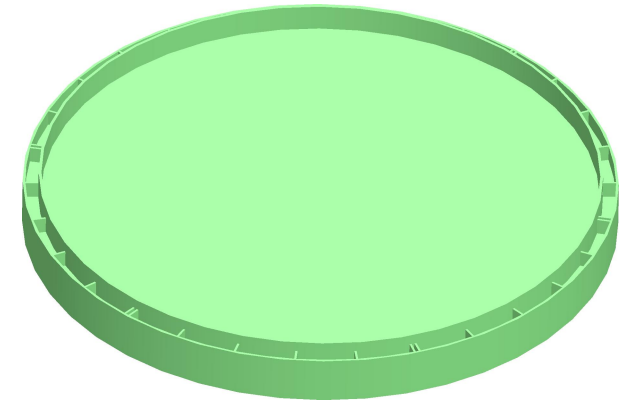
**PART #:**

**24 - RTT - GREEN**





SECTION A-A



Material: Copolymer Polypropylene  
Color: Green



**Drainage and Septic Products**

Tuf-Tite, Inc.  
1200 Flex Court  
Lake Zurich, Illinois 60047

TELEPHONE: 847.550.1011  
TOLL FREE: 800.382.7009  
FAX: 847.550.8004

**PART NAME:**  
**24" RISER BASE**

**PART #:**  
**24 - RISB - GREEN**