

Carey Automatic Door, LLC

MAGIC-DOOR PNEUMATIC OPERATOR DESCRIPTION

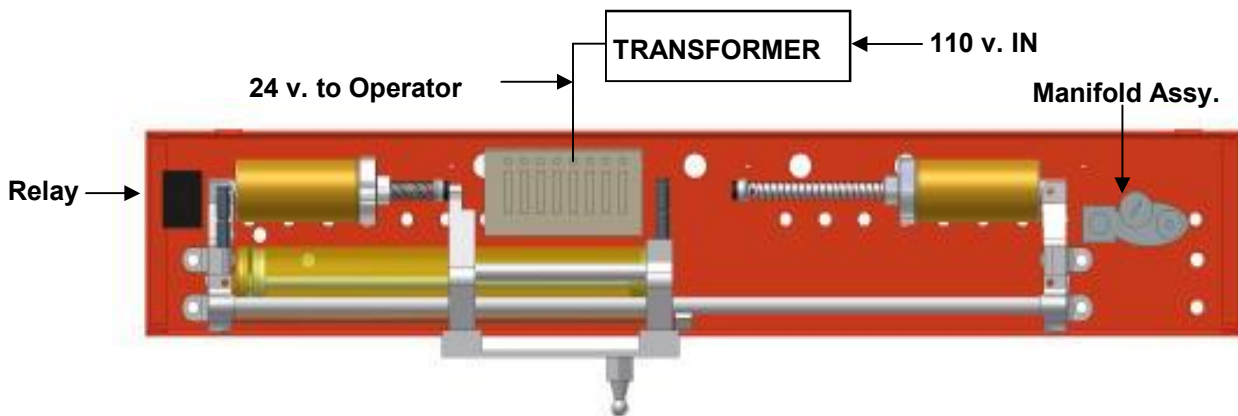
DESCRIPTION OF AN ELECTRO-PNEUMATIC DOOR OPERATOR:

1. An Operator powered from a central air supply or separate compressor.
 - a. This may be a single or double unit depending on the width and weight of door.
 - b. May be mounted to header above the door.
 - c. May be concealed either above or below the door with special pivots.
2. Connecting Links from Operator to door which permit door movement when Operator is actuated.
 - a. Swinging and Bi-Folding doors.
 1. Door bracket on door.
 2. Door rod which couples door bracket to Operator slide.
 - b. Sliding doors.
 1. Lever and connecting links coupling door to Operator and slide.
3. Opening and Closing Valves (electrically energized) mounted in Operator to control opening speed.
 - a. Closing may be by:
 1. Springs mounted in Operator.
 2. Pneumatically or electrically energized closing valve mounted in Operator.
4. Controls to actuate Operator.
 - a. Infrared safety systems.
 - b. Motion sensors.
 - c. Carpets/mats for pedestrian traffic (or equivalent).
 - d. Photoelectric for fully automatic operation (or equivalent).
 - e. Manual switches or valves (pull cords, push buttons, etc.) for semi-automatic operations.

HOW AN ELECTRO-PNEUMATIC OPERATOR WORKS:

The Operator is an air powered cylinder which is plunger actuated when air is introduced into the power cylinder through controlling valves.

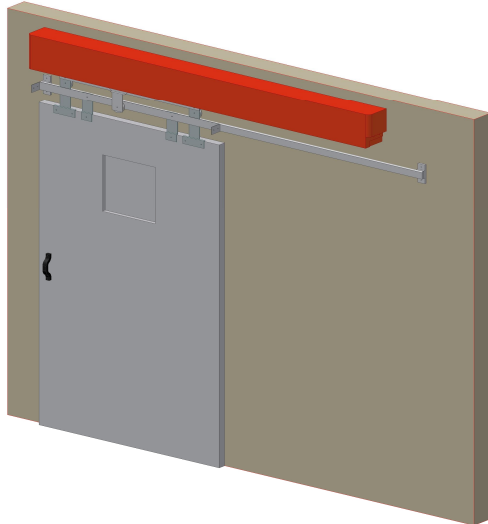
When a signal is sent to the Operator, the air valve is actuated and compressed air is admitted into the power cylinder. The compressed air drives the power cylinder piston which moves the slide assembly. A door rod and bracket attached to the slide assembly opens the door. As the door comes to a completely open position, a trip rod on the slide assembly actuates the holding Micro-Switch. When the door has reached the full open position and the signal is deactivated, the valve is de-energized - thus shutting off the air power to the cylinder. This action allows the air in the cylinder to exhaust through an adjustable port located on the air valve. The power springs or closing air then return the slide assembly to the closed position, closing the door. Checking cylinders are provided to smooth out the final opening and closing door motions.



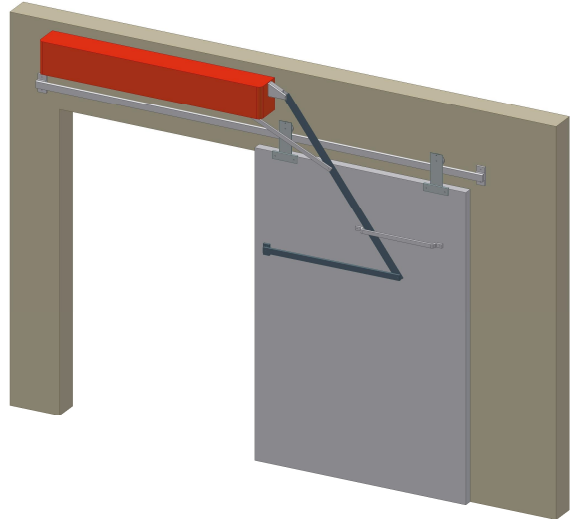
Carey Automatic Door, LLC

PNEUMATIC OPERATOR FOR SINGLE SLIDING DOOR

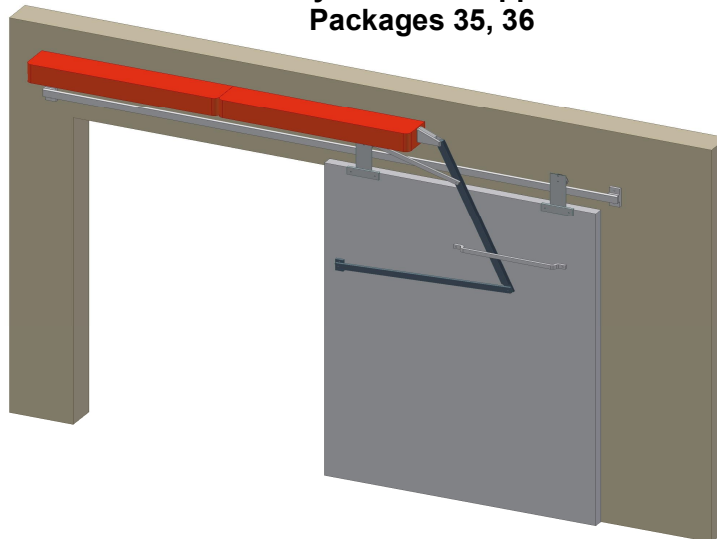
For Commercial Applications
Cable Drive System
Packages 30, 31, 32



For Industrial Applications
Packages 33, 34



For Heavy Industrial Applications
Packages 35, 36



FACTORS TO CONSIDER BEFORE ORDERING:

- HAND:** Specify Right Hand if door opens toward the left when facing operator.
Specify Left Hand if door opens toward the right when facing operator.
- OPENING:** Determines size of operator required.
- SAFETY SWITCH:** Safety Switch 408987 required when safety device is used.

All operators shipped as single acting. Closing Valve Kit (307381, ALL AIR 940100) is available as extra for double acting.

FIRE DOOR APPLICATIONS: Refer to Page CP-10.

CONSIDER WHETHER YOU NEED ANY OR ALL OF THE FOLLOWING:

Closing Valve Kit 307381, 940100 for Double Acting Operation; Safety Switch 408987; Controls; Track and Hangers refer to Pages CPD-16 & CPD-17.

Carey Automatic Door, LLC
PNEUMATIC OPERATOR FOR SINGLE SLIDING DOOR

FOR COMMERCIAL OR CONCEALED APPLICATIONS
Not Available in ALL AIR

PKG NO.	PART NO.*	DESCRIPTION	SIZE OF OPENING
30	307724	18" 020 Spring Closing*	27" to 34"
31	307725	24" 020 Spring Closing*	35" to 47"
32	307726	36" 020 Power Closing*	48" to 71"

PKG NO. 30	PKG NO. 31	PKG NO. 32	ITEM DESCRIPTION
1 - 103159 (60)	1 - 103159 (60)	--	OPERATOR OS 24" RH (LH)
--	--	1 - 103161 (2)	OPERATOR OD 36" RH (LH)
1 - 307481	1 - 307481	1 - 307481	ACCESSORY PACKAGE - 020 COMMON
1 - 307854	1 - 307856	1 - 307857	ACCESSORY PACKAGE - 020 SIZED
1 - 515430	1 - 515430	1 - 515430	PLUG-IN RELAY

*AVAILABLE FOR BI-PARTING DOORS.

FOR INDUSTRIAL APPLICATIONS
For ALL AIR, See Page CP-7B

PKG NO.	PART NO.*	DESCRIPTION	SIZE OF OPENING
33	307727	14" - 07	Up to 60"
34	307728	24" - 07	61" to 96"

PKG NO. 33	PKG NO. 34	ITEM DESCRIPTION
1 - 103155 (6)	--	OPERATOR OS 14" RH (LH)
--	1 - 103159 (60)	OPERATOR OS 24" RH (LH)
1 - 307664	1 - 307665	ACCESSORY PACKAGE - 07
1 - 402497	1 - 402498	OPERATING LEVER
1 - 409318	1 - 409319	DOOR ROD
1 - 515430	1 - 515430	PLUG-IN RELAY

FOR HEAVY INDUSTRIAL APPLICATIONS
For ALL AIR, See Page CP-7B

PKG NO.	PART NO.*	DESCRIPTION	SIZE OF OPENING
35	307729	14" - 07D	60" to 100"
36	307730	24" - 07D	101" to 144"

PKG NO. 35	PKG NO. 36	ITEM DESCRIPTION
1 - 103155 (6)	--	OPERATOR OS 14" RH (LH)
1 - 103164 (5)	--	OPERATOR OSS 14" RH (LH) SLAVE
--	1 - 103159 (60)	OPERATOR OS 24" RH (LH)
--	1 - 103168 (9)	OPERATOR OSS 24" RH (LH) SLAVE
1 - 307639	1 - 307640	ACCESSORY PACKAGE - 07D
1 - 402498	1 - 306584	OPERATING LEVER
1 - 409318	--	DOOR ROD
1 - 409319	2 - 409319	DOOR ROD
1 - 515430	1 - 515430	PLUG-IN RELAY

*Note: For LH Packages, change 2nd digit of part number to = 8

Carey Automatic Door, LLC
PNEUMATIC OPERATOR FOR SINGLE SLIDING DOOR

ALL AIR INDUSTRIAL & HEAVY DUTY APPLICATIONS

PKG NO.	PART NO.*	DESCRIPTION	SIZE OF OPENING
33AA	347727	14" 07 - ALL AIR	Up to 60"
34AA	347728	24" 07 - ALL AIR	61" to 96"
35AA	347729	14" 07D - ALL AIR	60" to 100"
36AA	347730	24" 07D - ALL AIR	101" to 144"

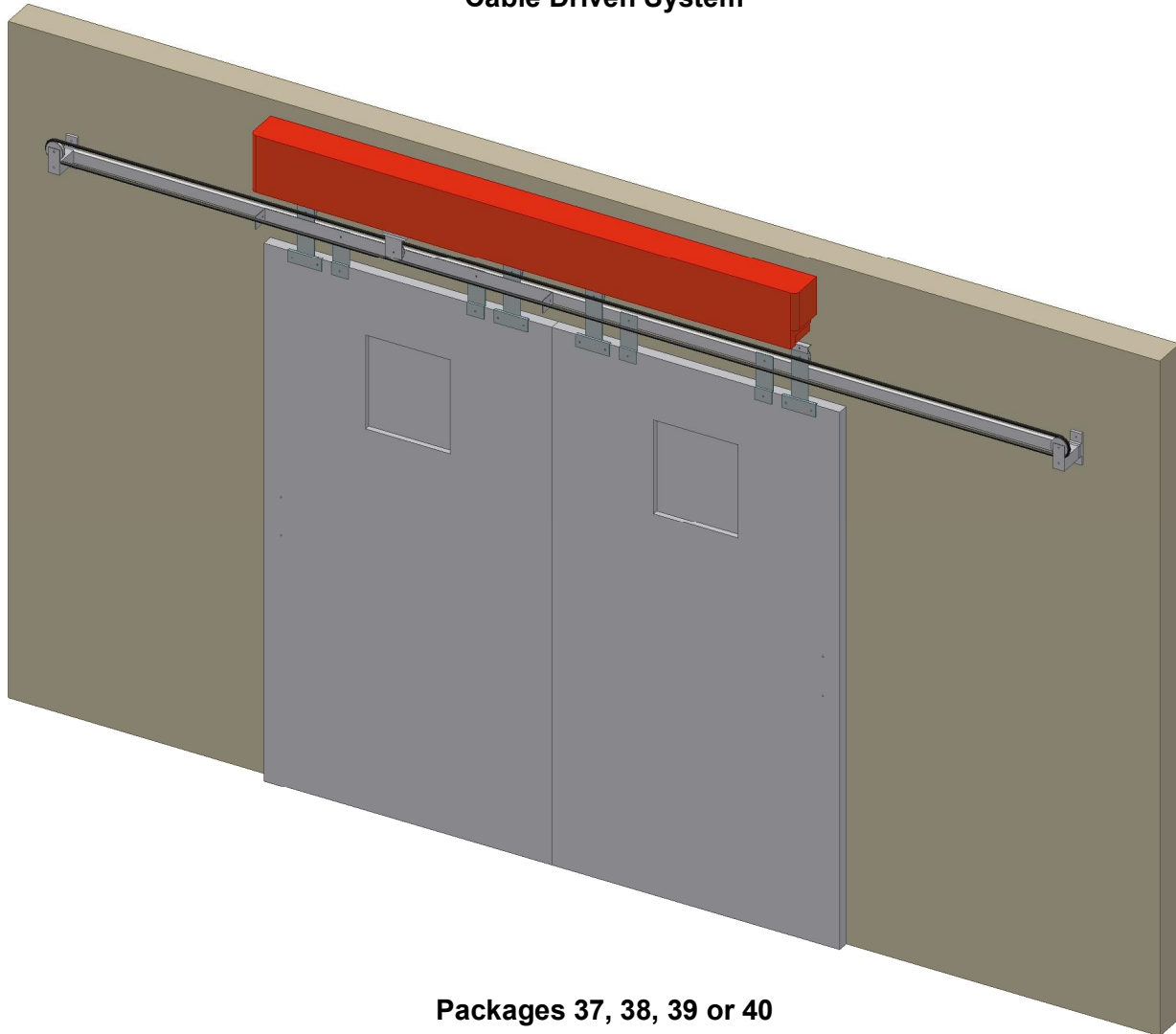
PKG NO. 33AA	PKG NO. 34AA	PKG NO. 35AA	PKG NO. 36 AA	ITEM DESCRIPTION
1 - 103305 (6)	--	2 - 103305 (6)	--	OSX - 14" R.H. (LH) All Air Operator
--	1 - 103307 (8)	--	2 - 103307 (8)	OSX - 24" RH (L.H) All Air Operator
1 - 920100	1 - 920100	1 - 920100	1 - 920100	ALL AIR VALVE PACKAGE
1 - 307664	1 - 307665	--	--	ACCESSORY PACKAGE - 07
--	--	1 - 307639	1 - 307640	ACCESSORY PACKAGE - 07D
1 - 402497	1 - 402498	1 - 402498	1 - 306584	OPERATING LEVER
1 - 409318	--	1 - 409318	--	DOOR ROD
--	1 - 409319	1 - 409319	2 - 409319	DOOR ROD
2 - 402839	2 - 402839	2 - 402839	2 - 402839	PULL CORD - MA-10 OR
2 - 409693	2 - 409693	2 - 409693	2 - 409693	PALM BUTTON

*NOTE: For LH Packages, change 2nd digit of part number to = 5.

See Page C-3 for additional ALL AIR and Explosion Proof information.

Carey Automatic Door, LLC
1 - PNEUMATIC OPERATOR FOR BI-PART SLIDING DOORS

FOR COMMERCIAL OR CONCEALED APPLICATIONS
Cable Driven System



Packages 37, 38, 39 or 40

FACTORS TO CONSIDER BEFORE ORDERING:

OPENING: Determines size of operator required.

SAFETY SWITCH: Safety Switch 408987 required when safety device is used.

All operators shipped as single acting. Closing Valve Kit (307381) is available as extra for double acting. Recommended where windy conditions exists.

CONSIDER WHETHER YOU NEED ANY OR ALL OF THE FOLLOWING:

Closing Valve Kit 307381 for Double Acting Operation; Safety Switch 408987; Controls; Track and Hangers refer to Pages CPD-16 & CPD-17.

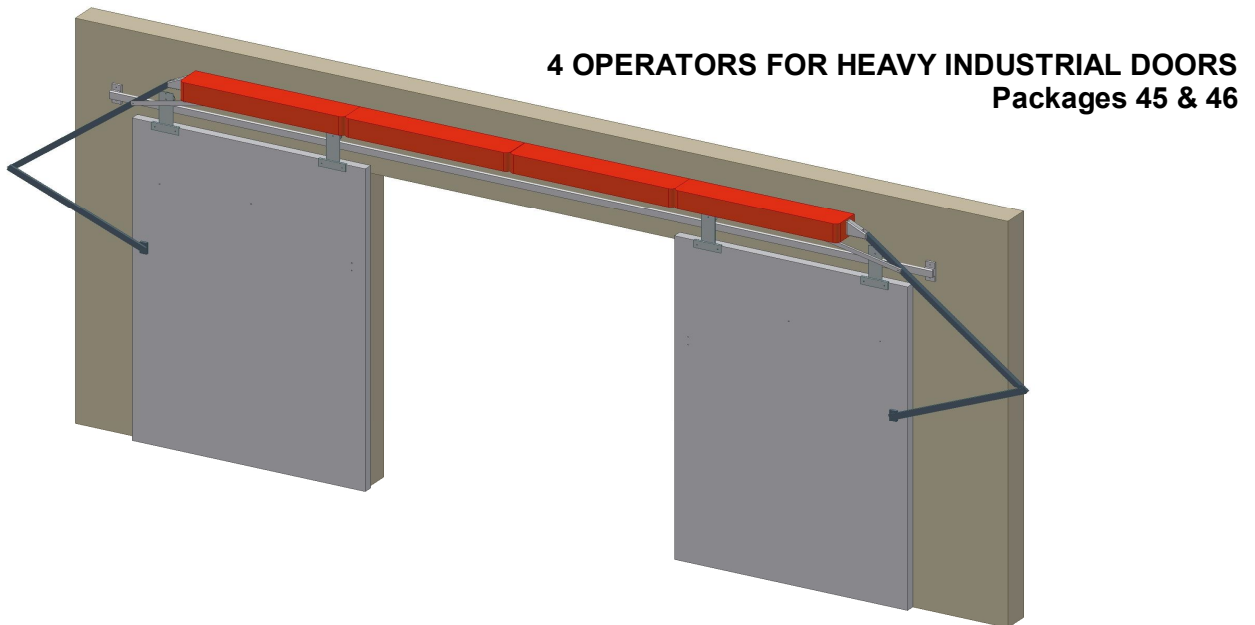
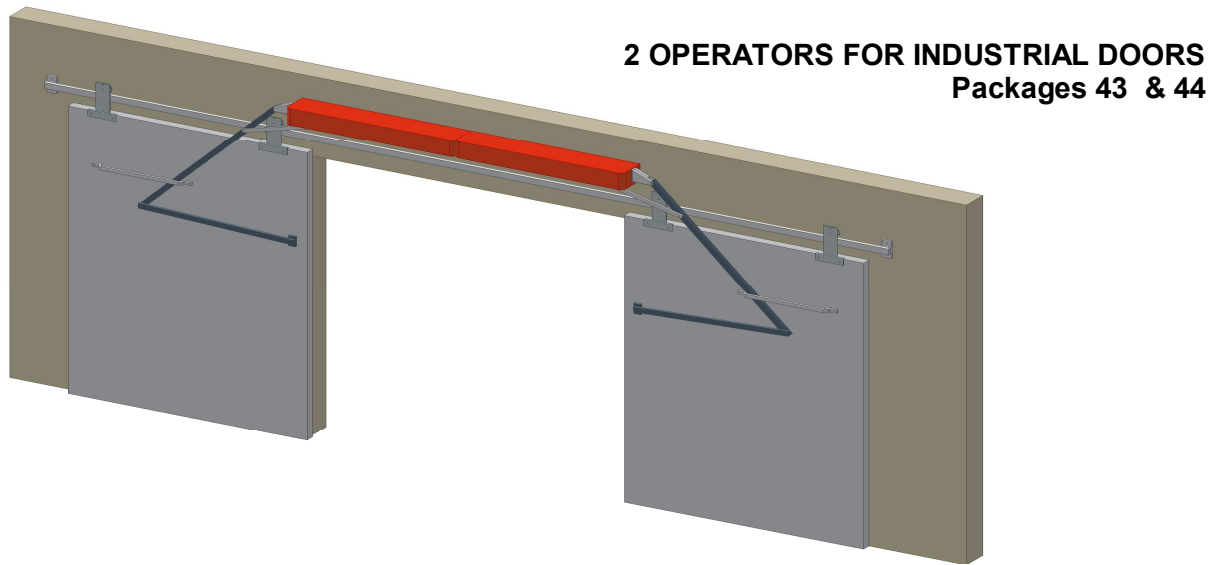
Carey Automatic Door, LLC
1 - PNEUMATIC OPERATOR FOR BI-PART SLIDING DOORS

FOR COMMERCIAL OR CONCEALED APPLICATIONS
Not Available in ALL AIR

PKG NO.	PART NO.	DESCRIPTION	SIZE OF OPENING
37	307731	14" 021 - Spring Closing	48" to 55"
38	307732	18" 021 - Spring Closing	56" to 71"
39	307733	24" 021 - Spring Closing	72" to 97"
40	307734	36" 021 - Power Closing	98" to 144"

PKG NO. 37	PKG NO. 38	PKG NO. 39	PKG NO. 40	ITEM DESCRIPTION
1 - 103155	--	--	--	OPERATOR OS 14" RH
--	1 - 103159	1 - 103159	--	OPERATOR OS 24" RH
--	--	-	1 - 103161	OPERATOR OD 36" RH
1 - 307482	1 - 307482	1 - 307482	1 - 307482	ACC. PACKAGE - 021 COMMON
1 - 307855	1 - 307858	1 - 307859	1 - 307860	ACC. PACKAGE - 021 SIZED
1 - 515430	1 - 515430	1 - 515430	1 - 515430	PLUG-IN RELAY

Carey Automatic Door, LLC
PNEUMATIC OPERATOR FOR BI-PART SLIDING DOORS



FACTORS TO CONSIDER BEFORE ORDERING:

OPENING: Determines size of operator required.
SAFETY SWITCH: Required when safety device is used.

All operators shipped as single acting. 307479 Closing Valve Kit is available as extra for double acting. Packages 43 & 44. Two Closing Valve Kits (307381, ALL AIR 940100) should be specified for Packages 45 & 46.

FIRE DOOR APPLICATIONS: Refer to Page CP-10.

CONSIDER WHETHER YOU NEED ANY OR ALL OF THE FOLLOWING:

Closing Valve Kit 307479, 307381 or 940100 for Double Acting Operation; Safety Switch 408987; Controls; Track and Hangers refer to Pages CPD-16 & CPD-17.

Carey Automatic Door, LLC PNEUMATIC OPERATOR FOR BI-PART SLIDING DOORS

2 OPERATORS FOR BI-PART INDUSTRIAL DOORS
For ALL AIR, See Page CP-9B

PKG NO.	PART NO.	DESCRIPTION	SIZE OF OPENING
43	307737	14" - 09	Up to 120"
44	307738	24" - 09	121" to 192"

PACKAGE NO. 43	PACKAGE NO. 44	ITEM DESCRIPTION
1 - 103156	--	OPERATOR OS 14" LH
1 - 103164	--	OPERATOR OSS 14" RH SLAVE
--	1 - 103160	OPERATOR OS 24" LH
--	1 - 103168	OPERATOR OSS 24" RH SLAVE
2 - 307664	2 - 307665	ACCESSORY PACKAGE - 07
1 - 307549	1 - 307550	SYNCH. CABLE ASSEMBLY
2 - 409318	2 - 409318	DOOR ROD
1 - 515430	1 - 515430	PLUG-IN RELAY

4 OPERATORS FOR BI-PART HEAVY INDUSTRIAL DOORS
For ALL AIR, See Page CP-9B

PKG NO.	PART NO.	DESCRIPTION	SIZE OF OPENING
45*	307739	14" - 09D	132" to 192"
46*	307740	24" - 09D	193" to 288"

PACKAGE NO. 45	PACKAGE NO. 46	ITEM DESCRIPTION
2 - 103155 (6)	--	OPERATOR OS 14" RH (LH)
2 - 103164 (5)	--	OPERATOR OSS 14" RH (LH) SLAVE
--	2 - 103159 (60)	OPERATOR OS 24" RH (LH)
--	2 - 103168 (9)	OPERATOR OSS 24" RH (LH) SLAVE
2 - 307639	2 - 307640	ACCESSORY PACKAGE - 07D
4 - 409318	4 - 409318	DOOR ROD
2 - 515430	2 - 515430	PLUG-IN RELAY

*NOTE: These units are not mechanically synchronized. A Closing Valve Kit and safety switches are required for each pair of operators where double acting operators are used.

Carey Automatic Door, LLC PNEUMATIC OPERATOR FOR BI-PART SLIDING DOORS

**ALL AIR (2) & (4) OPERATORS FOR
BI-PART (HEAVY) INDUSTRIAL DOOR**

PKG NO.	PART NO.	DESCRIPTION	SIZE OF OPENING
43AA	347737	14" 09 - ALL AIR	Up to 120"
44AA	347738	24" 09 - ALL AIR	121" to 192"
45AA	347739	14" 09D - ALL AIR	132" to 192"
46AA	347740	24" 09D - ALL AIR	193" to 288"

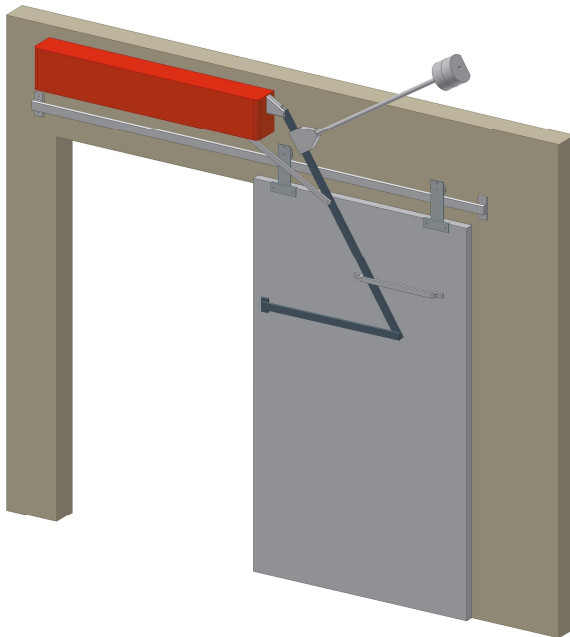
PKG NO 43AA	PKG NO 44AA	PKG NO 45AA	PKG NO 46AA	ITEM DESCRIPTION
1 - 103305	--	2 - 103305	--	OSX 14" RH ALL AIR OPERATOR
1 - 103306	--	2 - 103306	--	OSX 14" LH ALL AIR OPERATOR
--	1 - 103307	--	2 - 103307	OSX 24" RH ALL AIR OPERATOR
--	1 - 103308	--	2 - 103308	OSX 24" LH ALL AIR OPERATOR
1 - 920100	1 - 920100	2 - 920100	2 - 920100	ALL AIR VALVE PACKAGE
--	--	2 - 307639	- 307640	ACCESSORY PACKAGE - 07D
2 - 307664	2 - 307665	--	--	ACCESSORY PACKAGE - 07
1 - 970105	1 - 970105	1 - 970105	1 - 970105	SYNCHRONIZING FLOW CONTROL
2 - 409318	2 - 409319	4 - 409318	4 - 409319	DOOR ROD
2 - 402839	2 - 402839	2 - 402839	2 - 402839	PULL CORD MA-10 OR
2 - 409693	2 - 409693	2 - 409693	2 - 409693	PALM BUTTON

See Page C-3 for additional ALL AIR and Explosion Proof information.

Carey Automatic Door, LLC

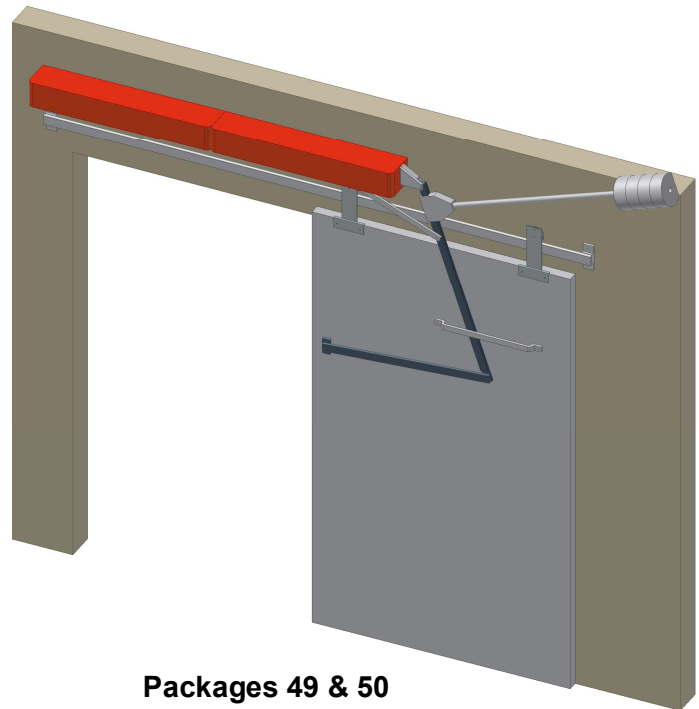
PNEUMATIC OPERATOR FOR SINGLE SLIDING FIRE DOOR

1 - Operator for Sliding Fire Door



Packages 47 & 48

2 - Operators for Sliding Fire Door



Packages 49 & 50

FACTORS TO CONSIDER BEFORE ORDERING:

- HAND:** Specify Right Hand if door opens toward the left when facing operator.
Specify Left Hand if door opens toward the right when facing operator.
- OPENING:** Determines size of operator required.
- SAFETY SWITCH:** Safety Switch 408987 required when safety device is used.
- COUNTERWEIGHTS:** Additional 707047 weights may be required depending on weight of doors and head room available.

COUNTERWEIGHT ARM MAY BE CUT TO A SHORTER LENGTH BY ADDING ANOTHER COUNTERWEIGHT OR WEIGHTS

DOOR WEIGHT	CUT-OFF DIMENSION	PKGS. 47 & 49 CLEARANCE FOR COUNTERWEIGHT ABOVE OPENING	PKGS. 48 & 50 CLEARANCE FOR COUNTERWEIGHT ABOVE OPENING	NUMBER OF COUNTERWEIGHTS REQUIRED
Up to 300 lbs.	14"	31" to 46"	38" to 46"	4 Weights
301 to 600 lbs.	12"	36" to 41"	43" to 48"	6 Weights
601 to 1000 lbs.	10"	40" to 43"	47" to 50"	8 Weights

NOTE: All operators must be single acting as shipped.

CONSIDER WHETHER YOU NEED ANY OR ALL OF THE FOLLOWING:

Counterweights 707047 Additional if required (see above chart); Safety Switch 408987; Controls; Track and Hangers refer to Pages CPD-16 & CPD-17.

Carey Automatic Door, LLC
PNEUMATIC OPERATOR FOR SINGLE SLIDING FIRE DOOR

1 - OPERATOR FOR SINGLE SLIDING FIRE DOOR
For ALL AIR, See Page CP-10B

PKG NO.	PART NO.*	DESCRIPTION	SIZE OF OPENING
47	307741	14" - 07 FIRE	Up to 60"
48	307742	24" - 07 FIRE	61" to 96"

PACKAGE NO. 47	PACKAGE NO. 48	ITEM DESCRIPTION
1 - 103155 (6)	--	OPERATOR OS 14" RH (LH)
--	1 - 103159 (60)	OPERATOR OSS 24" RH (LH)
1 - 307664	1 - 307665	ACCESSORY PACKAGE - 07
1 - 402497	1 - 402498	OPERATING LEVER
1 - 409318	1 - 409319	DOOR ROD
1 - 306774	1 - 306774	COUNTERWEIGHT ASSEMBLY
1 - 707047	1 - 707047	WEIGHT ONLY
1 - 705967	1 - 705967	SWITCH THERMAL
1 - 515430	1 - 515430	PLUG-IN RELAY

2 - OPERATORS FOR SINGLE HEAVY SLIDING FIRE DOOR
For ALL AIR, See Page CP-10B

PKG NO.	PART NO.*	DESCRIPTION	SIZE OF OPENING
49	307743	14" - 07D FIRE	60" to 100"
50	307744	24" - 07D FIRE	101" to 144"

PACKAGE NO. 49	PACKAGE NO. 50	ITEM DESCRIPTION
1 - 103155 (6)	--	OPERATOR OS 14" RH (LH)
1 - 103164 (5)	--	OPERATOR OSS 14" RH (LH) SLAVE
--	1 - 103159 (60)	OPERATOR OS 24" RH (LH)
--	1 - 103168 (69)	OPERATOR OSS 24" RH (LH) SLAVE
1 - 307639	1 - 307640	ACCESSORY PACKAGE - 07D
1 - 402498	1 - 402498	OPERATING LEVER
1 - 409318	--	DOOR ROD
1 - 409319	2 - 409319	DOOR ROD
1 - 306774	1 - 306774	COUNTERWEIGHT ASSEMBLY
2 - 707047	2 - 707047	WEIGHT ONLY
1 - 705967	1 - 705967	SWITCH THERMAL
1 - 515430	1 - 515430	PLUG-IN RELAY

*NOTE: For LH Packages, change 2nd digit of part number to = 8.

Carey Automatic Door, LLC
PNEUMATIC OPERATOR FOR SINGLE SLIDING FIRE DOOR

ALL AIR (1) OPERATOR FOR SINGLE SLIDING FIRE DOOR

PKG NO.	PART NO.*	DESCRIPTION	SIZE OF OPENING
47AA	347741	14" - 07 FIRE	Up to 60"
48AA	347742	24" - 07 FIRE	61" to 96"

PACKAGE NO. 47AA	PACKAGE NO. 48AA	ITEM DESCRIPTION
1 - 103305 (6)	--	OPERATOR OSX 14" RH (LH)
--	1 - 103307 (8)	OPERATOR OSX 24" RH (LH)
1 - 920100	1 - 920100	ALL AIR VALVE PACKAGE
1 - 307664	1 - 307665	ACCESSORY PACKAGE - 07
1 - 402497	1 - 402498	OPERATING LEVER
1 - 409318	1 - 409319	DOOR ROD
1 - 306774	1 - 306774	COUNTERWEIGHT ASSEMBLY
1 - 707047	1 - 707047	WEIGHT ONLY
1 - 306265	1 - 306265	FUSIBLE NOZZLE ASSEMBLY
1 - 402839	1 - 402839	PULL CORD MA-10 OR
1 - 409693	1 - 409693	PALM BUTTON

ALL AIR (2) OPERATORS FOR SINGLE HEAVY SLIDING FIRE DOOR

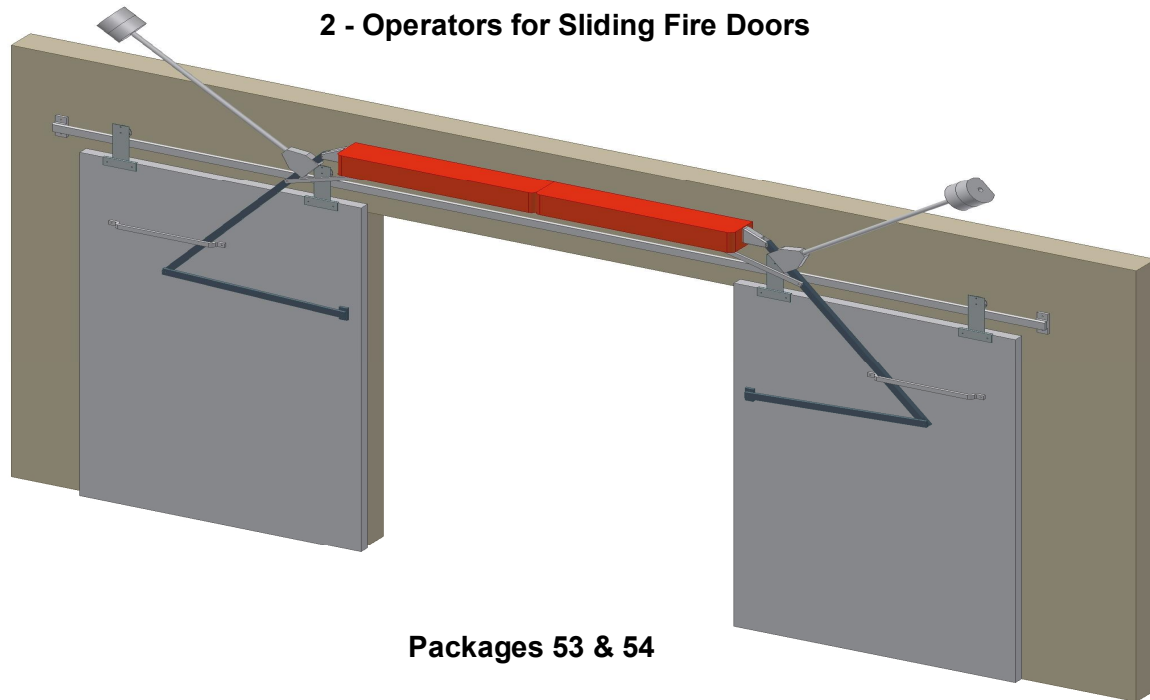
PKG NO.	PART NO.*	DESCRIPTION	SIZE OF OPENING
49AA	347743	14" - 07D FIRE	60" to 100"
50AA	347744	24" - 07D FIRE	101" to 144"

PACKAGE NO. 49AA	PACKAGE NO. 50AA	ITEM DESCRIPTION
1 - 103305 (6)	--	OPERATOR OSX 14" RH (LH)
1 - 103305 (6)	--	OPERATOR OSX 14" RH (LH) SLAVE
--	1 - 103307 (8)	OPERATOR OSX 24" RH (LH)
--	1 - 103307 (8)	OPERATOR OSX 24" RH (LH) SLAVE
1 - 920100	1 - 920100	ALL AIR VALVE PACKAGE
1 - 307639	1 - 307640	ACCESSORY PACKAGE - 07D
1 - 402498	1 - 306584	OPERATING LEVER
1 - 409318	--	DOOR ROD
1 - 409319	2 - 409319	DOOR ROD
1 - 306774	1 - 306774	COUNTERWEIGHT ASSEMBLY
2 - 707047	2 - 707047	WEIGHT ONLY
1 - 306265	1 - 306265	FUSIBLE NOZZLE ASSEMBLY
1 - 402839	1 - 402839	PULL CORD MA-10 OR
1 - 409693	1 - 409693	PALM BUTTON

*For LH Packages, change 2nd digit of part number to = 8.

See Page C-3 for additional ALL AIR and Explosion Proof information.

Carey Automatic Door, LLC
PNEUMATIC OPERATOR FOR BI-PART SLIDING FIRE DOORS



FACTORS TO CONSIDER BEFORE ORDERING:

- HAND:** Specify Right Hand if door opens toward the left when facing operator.
Specify Left Hand if door opens toward the right when facing operator.
- OPENING:** Determines size of operator required.
- SAFETY SWITCH:** Safety Switch 408987 required when safety device is used.
- COUNTERWEIGHTS:** Additional 707047 weights may be required depending on weight of doors and head room available.

COUNTERWEIGHT ARM MAY BE CUT TO A SHORTER LENGTH BY ADDING ANOTHER COUNTERWEIGHT OR WEIGHTS

DOOR WEIGHT	CUT-OFF DIMENSION	PKG. 53 CLEARANCE FOR COUNTERWEIGHT ABOVE OPENING	PKG. 54 CLEARANCE FOR COUNTERWEIGHT ABOVE OPENING	NUMBER OF COUNTERWEIGHTS REQUIRED
Up to 300 lbs.	14"	31" to 39"	38" to 46"	4 Weights
301 to 600 lbs.	12"	36" to 41"	43" to 48"	6 Weights
601 to 1000 lbs.	10"	40" to 43"	47" to 50"	8 Weights

NOTE: All operators must be single acting as shipped.

FOR COMPLETE AUTOMATION, YOUR ORDER MUST CONSIST OF THE FOLLOWING:

Package No. 53 or 54, See Page CP-11A; Relay - included 515430; Controls.

CONSIDER WHETHER YOU NEED ANY OR ALL OF THE FOLLOWING:

Counterweights 707047 Additional if required (see above chart); Safety Switch 408987; Controls; Track and Hangers refer to Pages CPD-16 & CPD-17.

Carey Automatic Door, LLC
PNEUMATIC OPERATOR FOR BI-PART SLIDING FIRE DOORS

2 - OPERATORS FOR SLIDING FIRE DOOR
For ALL AIR, See Below

PKG NO.	PART NO.	DESCRIPTION	SIZE OF OPENING
53	307747	14" - 09 FIRE	Up to 120"
54	307748	24" - 09 FIRE	121" to 192"

PACKAGE NO. 53	PACKAGE NO. 54	ITEM DESCRIPTION
1 - 103156	--	OPERATOR OS 14" LH
1 - 103164	--	OPERATOR OSS 14" RH SLAVE
--	1 - 103160	OPERATOR OS 24" LH
--	1 - 103168	OPERATOR OSS 24" RH SLAVE
2 - 307664	2 - 307665	ACC. PACKAGE - 07
1 - 307549	1 - 307550	SYNCHRONIZING CABLE ASSEMBLY
2 - 409318	2 - 409319	DOOR ROD
2 - 306774	2 - 306774	COUNTERWEIGHT ASSEMBLY
2 - 707047	2 - 707047	WEIGHT ONLY
1 - 705967	1 - 705967	SWITCH THERMAL
1 - 515430	1 - 515430	PLUG-IN RELAY

ALL AIR (2) OPERATORS FOR SLIDING FIRE DOOR

PKG NO.	PART NO.	DESCRIPTION	SIZE OF OPENING
53AA	347747	14" - 09 FIRE	Up to 120"
54AA	347748	24" - 09 FIRE	121" to 192"

PACKAGE NO. 53AA	PACKAGE NO. 54AA	ITEM DESCRIPTION
1 - 103306	--	OPERATOR OSX 14" LH
1 - 103305	--	OPERATOR OSX 14" RH SLAVE
--	1 - 103308	OPERATOR OSX 24" LH
--	1 - 103307	OPERATOR OSX 24" RH SLAVE
1 - 920100	1 - 920100	ALL AIR VALVE PACKAGE
2 - 307664	2 - 307665	ACCESSORY PACKAGE - 07
1 - 970105	1 - 970105	SYNCHRONIZING FLOW CONTROL
2 - 409318	2 - 409319	DOOR ROD
2 - 306774	2 - 306774	COUNTERWEIGHT ASSEMBLY
2 - 707047	2 - 707047	WEIGHT ONLY
1 - 306265	1 - 306265	FUSIBLE NOZZLE ASSEMBLY
1 - 402839	1 - 402839	PULL CORD MA-10 OR
1 - 409693	1 - 409693	PALM BUTTON

See Page C-3 for additional ALL AIR and Explosion Proof information.