

# MINI STANDY



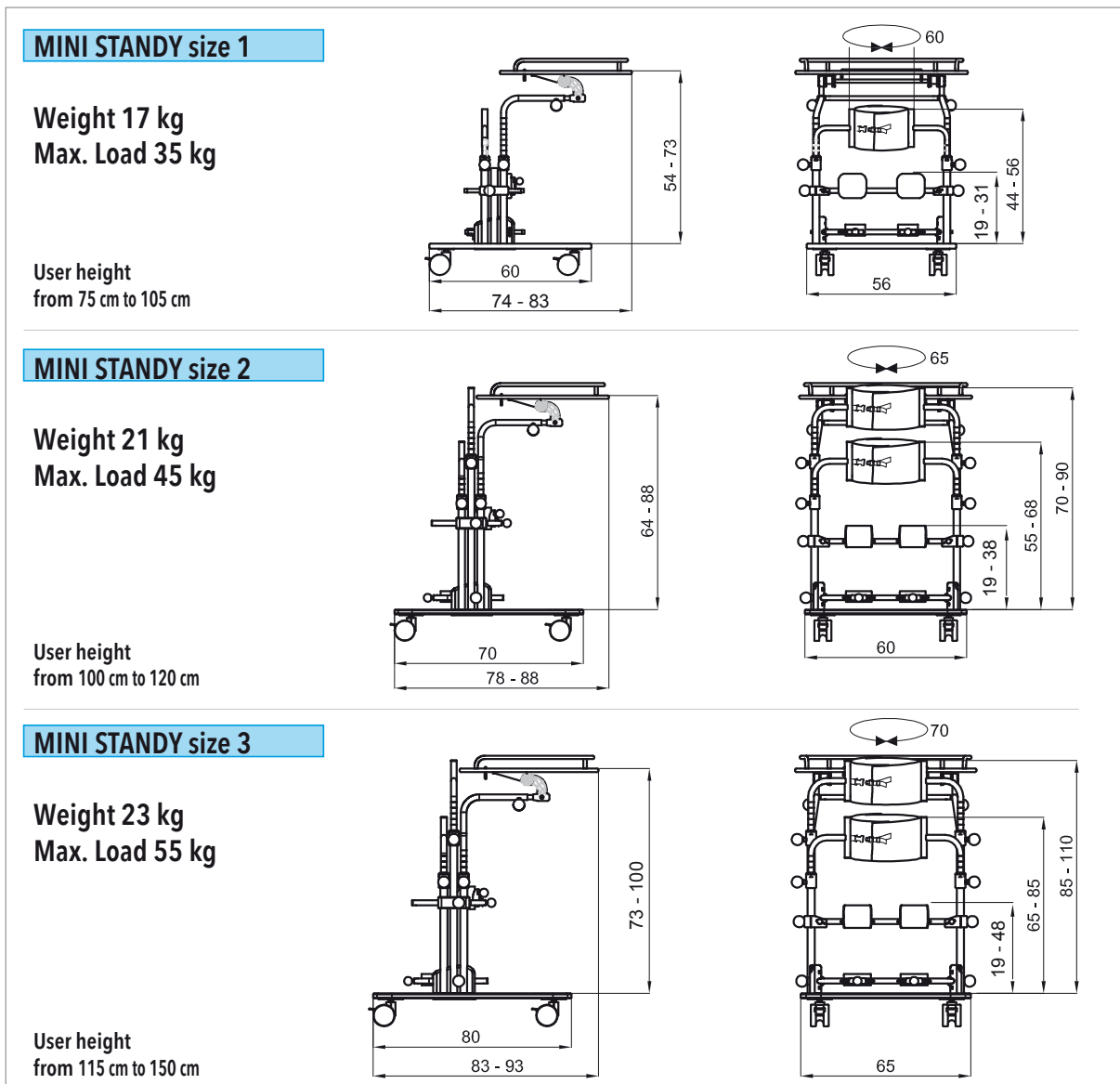
**NEW SIZE 1**  
for users from  
75 cm to 105 cm height  
Complete **RESTYLING** of  
COLORS and SHAPES  
**NEW RECLINING TRAY**  
**NUMBERED BARS**  
To adjust the frame in height

 *design and quality*  
**MADE IN ITALY since 1980**

by **ORMESSA**<sup>®</sup>

FRAME painted with epoxy and non-toxic powders and with chromed and adjustable elements,  
 Height adjustable thanks to "TOOL FREE" through knobs, without the use of wrenches.  
 REMOVABLE TRAY in multilayered wood, adjustable in height, tilt and depth  
 TRUNK SUPPORT (only for size 2 and 3) adjustable in height, width with Velcro and back and forwards  
 PELVIC SUPPORT adjustable in height, width with Velcro and back and forwards  
 Numbered BARS on height adjustments  
 Wooden FOOT BOARD. It gives a stable reference to the child.  
 WHEELS WITH BRAKE allow to move the device from one room to the other, for indoor use.  
 HEEL RESTS adjustable in width and depth  
 KNEE SUPPORTS adjustable in height, width, and depth

measures in cm, weight in kg



HYPEN-SEPARATED NUMBERS INDICATE THE MINIMUM AND MAXIMUM RANGE OF ADJUSTMENT

The copyright even if partial is not allowed without the authorization of the manufacturer. The manufacturer reserves the right to make changes without any notice

Authorized dealer

Product marked **CE**  
 FDA registered USA  
 Product tested by TÜV Hannover

**ORMESA** s.r.l.  
 Via A. Da Sangallo, 1 - 06034 FOLIGNO (PG) ITALY  
 TEL. +39 0742 22927-FAX +39 0742 22637  
 info@ormesa.com-www.ormesa.com



COMPANY WITH QUALITY  
 MANAGEMENT SYSTEM  
 CERTIFIED BY  
**ISO 9001**