



FP14KCX-24ALIGNSPCRKIT

**24” Extension, Alignment Spacer Kit
(FP14KAC-X)**



Installation Instructions

IMPORTANT!!

READ INSTRUCTIONS THOROUGHLY BEFORE ASSEMBLING, INSTALLING, OR MAINTAINING ALIGNMENT SPACER KITS. WHEN DONE WITH INSTALLATION BE SURE TO RETURN DOCUMENTS TO PACKAGE AND GIVE ALL MATERIALS TO LIFT OWNER / OPERATOR.

FP14KCX-24ALIGNSPCRKIT

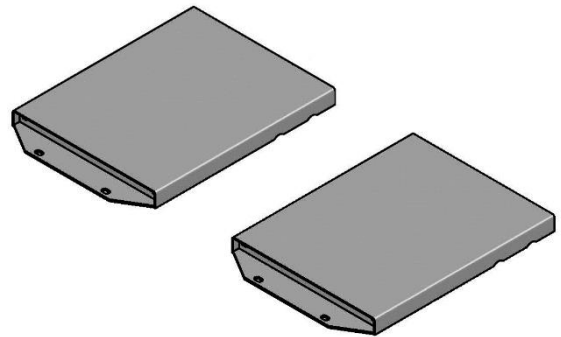
24” Runway Extension, Alignment Spacer Kit

Product Description:

The iDEAL 24+ Runway Extension, Alignment Spacer Kit (FP14KCX-24ALIGNSPCRKIT) is designed to be applied to the four post, closed front FP14KAC-X Alignment lift model. The 24+Runway Extension, Alignment Spacer Kit is used in combination with the 24+Runway Extensions to elevate the height of the Runway Extensions to match the height of the FP14KAC-X Alignment Runways. Easy bolt-on design, with all mounting hardware included. The iDEAL 24+Runway Extension, Alignment Spacer Kit is an optional accessory for the 24+Runway Extension Kit which can be applied to the rear of a FP14KAC-X Alignment Lift for extended alignment wheelbase.

Required Tools:

- Ratchet & Metric Sockets
- 8+to 10+Socket Extension
- Safety Glasses
- Gloves



Installation Instructions:

WARNING!! Improper installation can cause accelerated wear, resulting in catastrophic failure which may cause property damage and / or bodily injury. Manufacturer will assume no liability for loss or damage of any kind, expressed or implied, resulting from improper installation or use of this product.

- 1) Raise lift so that the runways & extensions are at a comfortable work height. Ensure Ramps are fully pivoted downward, not contacting floor allowing for enough clearance to mount Alignment Spacers.
- 2) Mount Alignment Spacer to the top of each 24+Runway Extension by aligning the threaded studs on the underside of each Spacer to the holes on the Runway Extension. Carefully, lower Spacer into place, ensuring the two front holes also align with the threaded holes on Runway Extension, **Fig. 1**.
- 3) Once the Alignment Spacer is properly positioned, secure Spacer to Runway Extension using M12 Flange Bolts for the threaded holes and M12 Nuts & Washer to the underside of Runway Extension, using access holes and ratchet socket extension, **Fig. 1**.
- 4) Repeat above steps for the other side. Ensure all connection hardware is properly tightened.

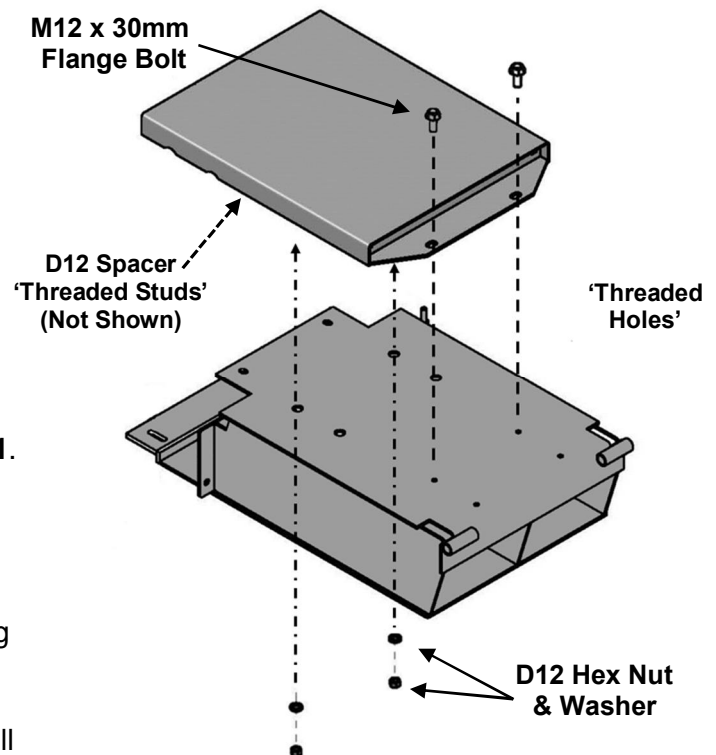
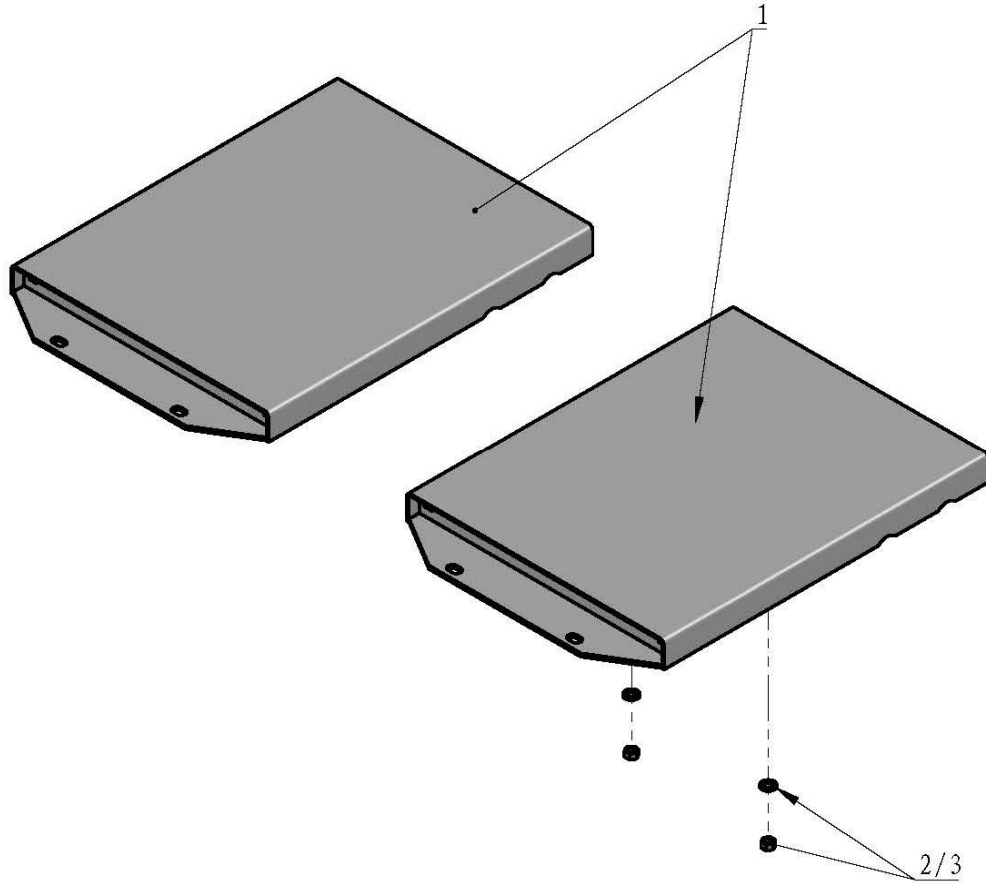


Fig. 1

Exploded View & Parts List

24" Extension, Alignment Spacer Kit (FP14KCX-24ALIGNSPCRKIT)



ITEM	Tux P/N	M-REF P/N	DESCRIPTION	QTY
1	FP14KCX-24ALIGNSPCRKIT-001	TT-8861-700-04-HJ	(Align) Runway Extension Cover	2
2	FP14KCX-24ALIGNSPCRKIT-002	GB95-1985 D12	Flat Washer, D12	2
3	FP14KCX-24ALIGNSPCRKIT-003	GB6170-2000 D12	Nut, D12	4

LIMITED WARRANTY

Structural Warranty:

The following parts and structural components carry a five-year warranty:

Columns	Arms	Uprights	Swivel Pins
Legs	Carriages	Overhead Beam	
Tracks	Cross Rails	Top Rail Beam	

Limited One-Year Warranty:

Tuxedo Distributors, LLC (iDEAL) offers a limited one-year warranty to the original purchaser of Lifts and Wheel Service equipment in the United States and Canada. Tuxedo will replace, without charge, any part found defective in materials or workmanship under normal use, for a period of one year after purchase. The purchaser is responsible for all shipping charges. This warranty does not apply to equipment that has been improperly installed or altered or that has not been operated or maintained according to specifications.

Other Limitations:

This warranty does not cover:

1. Parts needed for normal maintenance
2. Wear parts, including but not limited to cables, slider blocks, chains, rubber pads and pulleys
3. Replacement of lift and tire changer cylinders after the first 30 days. A seal kit and installation instructions will be sent for repairs thereafter.
4. On-site labor

Upon receipt, the customer must visually inspect the equipment for any potential freight damage before signing clear on the shipping receipt. Freight damage is not considered a warranty issue and therefore must be noted for any potential recovery with the shipping company.

The customer is required to notify Tuxedo of any missing parts within 72 hours. Timely notification must be received to be covered under warranty.

Tuxedo will replace any defective part under warranty at no charge as soon as such parts become available from the manufacturer. No guarantee is given as to the immediate availability of replacement parts.

Tuxedo reserves the right to make improvements and/or design changes to its lifts without any obligation to previously sold, assembled, or fabricated equipment.

There is no other express warranty on the Tuxedo lifts and this warranty is exclusive of and in lieu of all other warranties, expressed or implied, including all warranties of merchantability and fitness for a particular purpose.

To the fullest extent allowed by law, Tuxedo shall not be liable for loss of use, cost of cover, lost profits, inconvenience, lost time, commercial loss or other incidental or consequential damages.

This Limited Warranty is granted to the original purchaser only and is not transferable or assignable.

Some states do not allow exclusion or limitation of consequential damages or how long an implied warranty lasts, so the above limitations and exclusions may not apply. This warranty gives you specific legal rights and you may have other rights, which may vary from state to state.

8320 E Hwy 67, Alvarado, TX 76009
Ph. 817-558-9337 / Fax 817-558-9740