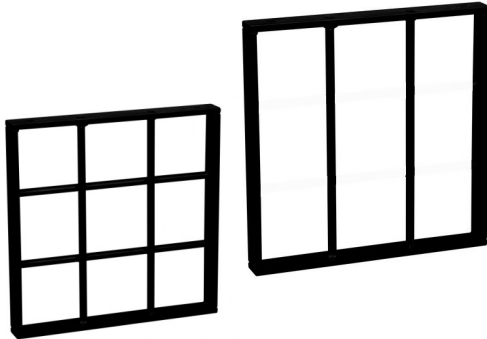




## SECURITY BARS

**MODELS:**  
**SB-1**  
**SB-2**

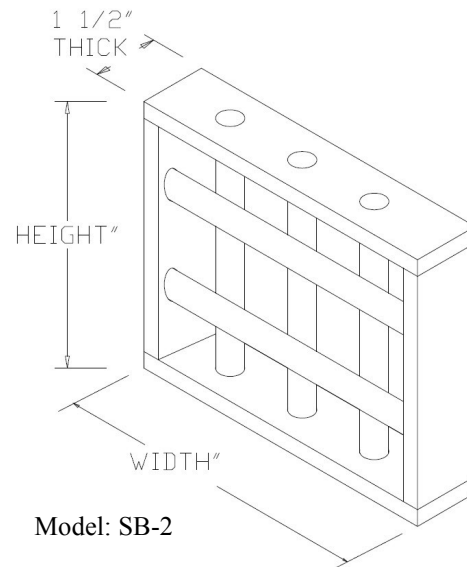
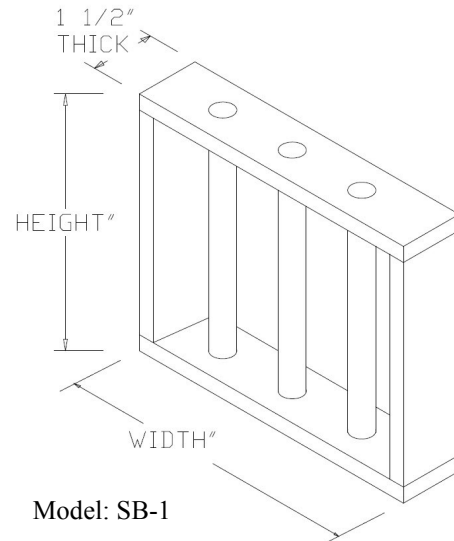


### APPLICATION

The SB-1/SB-2 is Lloyd's Security Bars. Installing security bars into dampers to guard access to restricted areas. The standard product is steel or cold rolled steel construction and metal inert gas welded frame and bars.

### STANDARD CONSTRUCTION

- FRAME:** All steel construction  
Solid 3/8" x 1-1/2"  
Rectangular steel bars
- SECURITY BARS:** Solid 1/2" Diameter steel  
Bar secured on 6" centers
- CONSTRUCTION:** Metal inert gas welded frame and bars
- MOUNTINGHOLES:** 3/8" Bolt clearance holes provided  
(13/32 Diameter holes)
- FINISHES:** (1) Unfinished  
(2) Painted
- SIZES:** Unlimited
- INSTALLATION:** Installed in Sleeve or Curbs



**Note: Consult Lloyd Industries if options are desired other than the standard options listed above.**