



047 ProIII Dental Chair

■ PRO III 047

Folding Legrest Chair

The Pro III's leg folding technology creates a comfortable, conversational atmosphere for before and after your appointments, building trust between patient and doctor. It also creates easy access for patients, especially for the handicapped and elderly.



Comfort and Versatility

Patient comfort is always a top priority for doctors and communication is a key factor in building trust with their patients. The Pro III 047 makes consultations and post procedural communication a seamless process. Rather than segmenting your appointment, the Pro III has four positions that can be used for various stages and types of appointments. This chair ranges from a full recline for procedures of any length to a full upright position, complete with a leg folding feature. This functionality, combined with 210° chair rotation and swinging armrests, makes the Pro III accessible to patients of all heights, as well as handicapped and elderly.



Treatment



Consultation & Education



Seated Examination

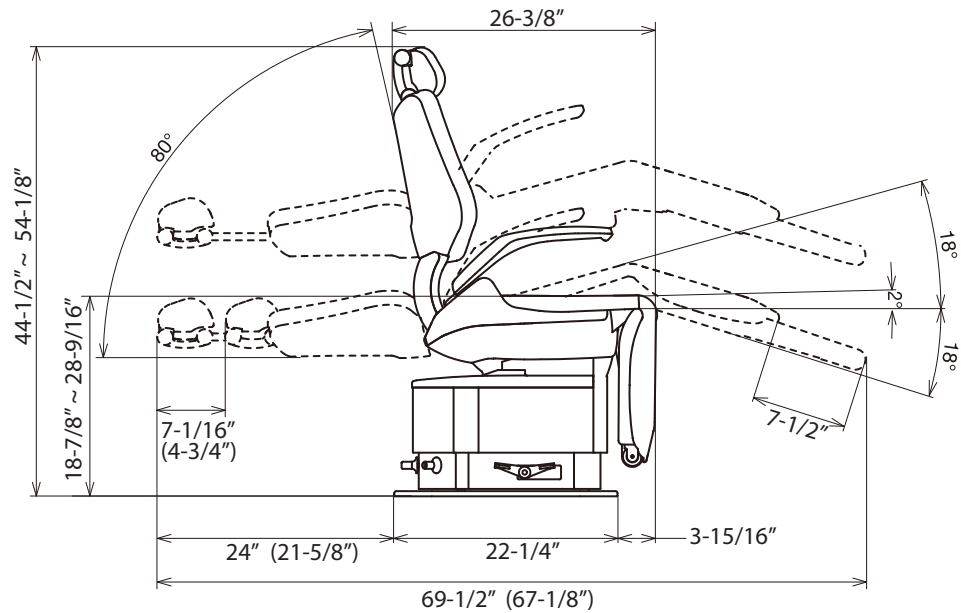
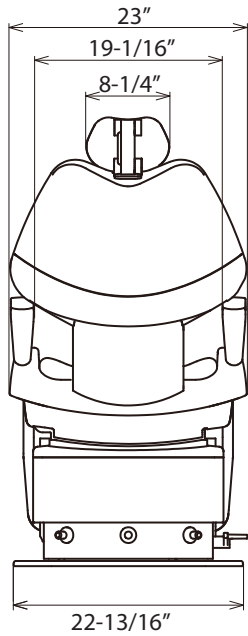


Standing Examination



■ Flex Line Side Cabinet Pro Consultation +

A trusted companion to the Pro III Chair is the Flex Line side cabinet. Customize your consultation set up with a pull out desk that seats customers and their caretakers.



Belmont Equipment
101 Belmont Drive
Somerset, NJ 08873
(800) 223-1192
www.belmontequip.com

Belmont
Delivering Value in Quality

@BelmontEquipUS

