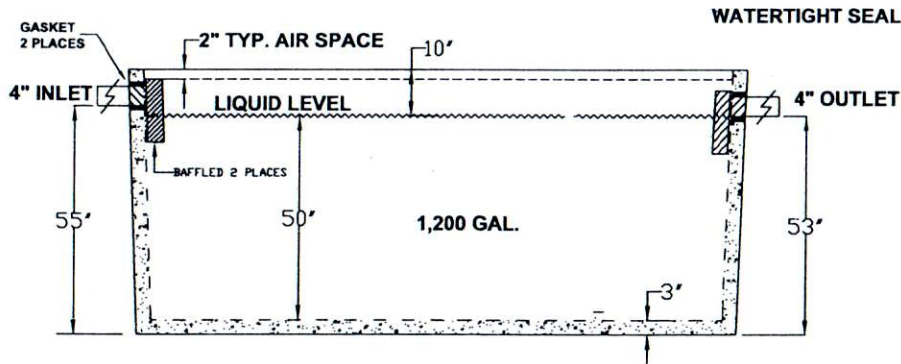
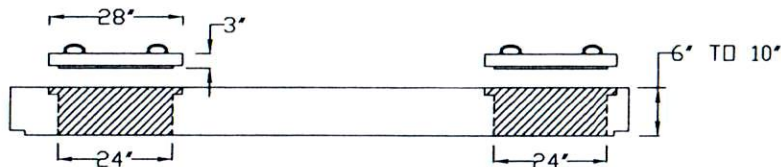
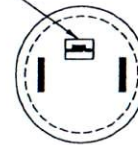
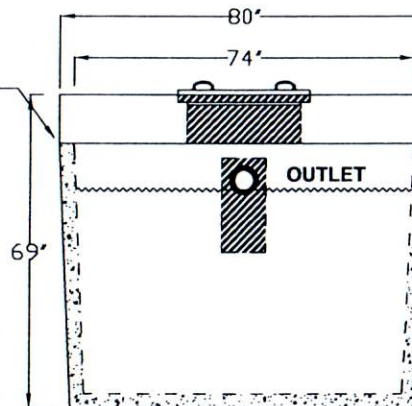


4" X 6"  
APPROVED  
LABEL



(DIM. WITH 6" COVER SHOWN)



GROVE CONCRETE & SUPPLY, INC.  
18426 DURAND AVENUE P.O. BOX 363  
UNION GROVE, WISCONSIN 53182  
(262) 878-2030 FAX (262) 878-4222  
GroveConcrete.com

**NOTES:**

1. REINFORCED CONCRETE 4,000 PSI MIN.
2. (GASKETED 4" OPENINGS) PRESS SEAL, TUFF TITE OR EQUAL.
3. ALL BAFFLES & FILTERS TO BE INSTALLED BY INSTALLER TO MEET STATE & LOCAL CODES.
4. IF USED AS PUMP OR HOLDING TANK, 6" MIN. HOLE NEAR BOTTOM OF CENTER DIVIDER WALL.
5. ALL BAFFLES & FILTERS TO BE INSTALLED TO MEET STATE & LOCAL CODES.
6. THIS TANK IS BUILT IN COMPLIANCE OF SECT. 905.40 IL. PRIVATE SEWAGE CODE.

2000 - 1 COMP  
SEPTIC & PUMP-SEPTIC SEPTIC-  
GREASE OR HOLDING OR PUMP

FOR ANY MODIFICATIONS CALL  
GROVE CONCRETE

DRAWN BY: <b>RAY</b>		DATE: <b>6/11/15</b>
SCALE: <b>NTS</b>	EST. WIEIGHT: <b>16,000 LBS. 6" TOP 19,950 LBS 10" TOP</b>	VERSION: <b>00002</b>
DWG. # <b>TNK-2000-1CVER2</b>		ILL. APPROVAL # <b>114</b>

APPROVED BY:

THIS DRAWING AND THE INFORMATION CONTAINED HEREIN IS THE EXCLUSIVE PROPERTY OF GROVE CONCRETE & SUPPLY, INC. AND SHALL NOT BE REPRODUCED, USED, OR DISCLOSED TO OTHERS EXCEPT AS AUTHORIZED THROUGH WRITTEN CONCENT FROM GROVE CONCRETE & SUPPLY, INC.