

IN-ES0001 for 44", 42" 45" rings

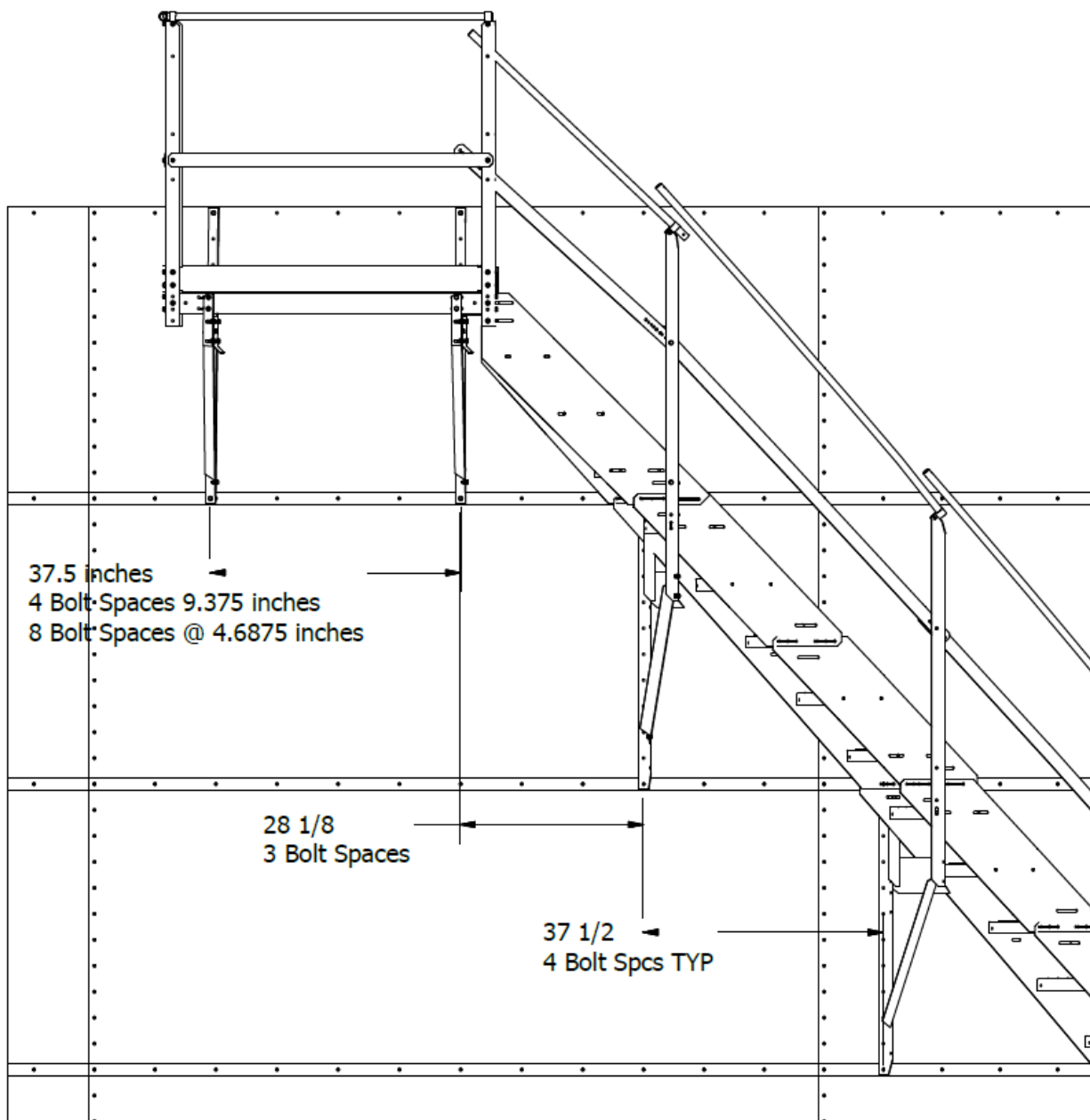
# Easy Step Instructions



Please read this entire sheet before starting to avoid the need to disassemble and redo steps. For ES4200 Series, the bolt spacing layouts are the same though the dimensions may vary slightly.

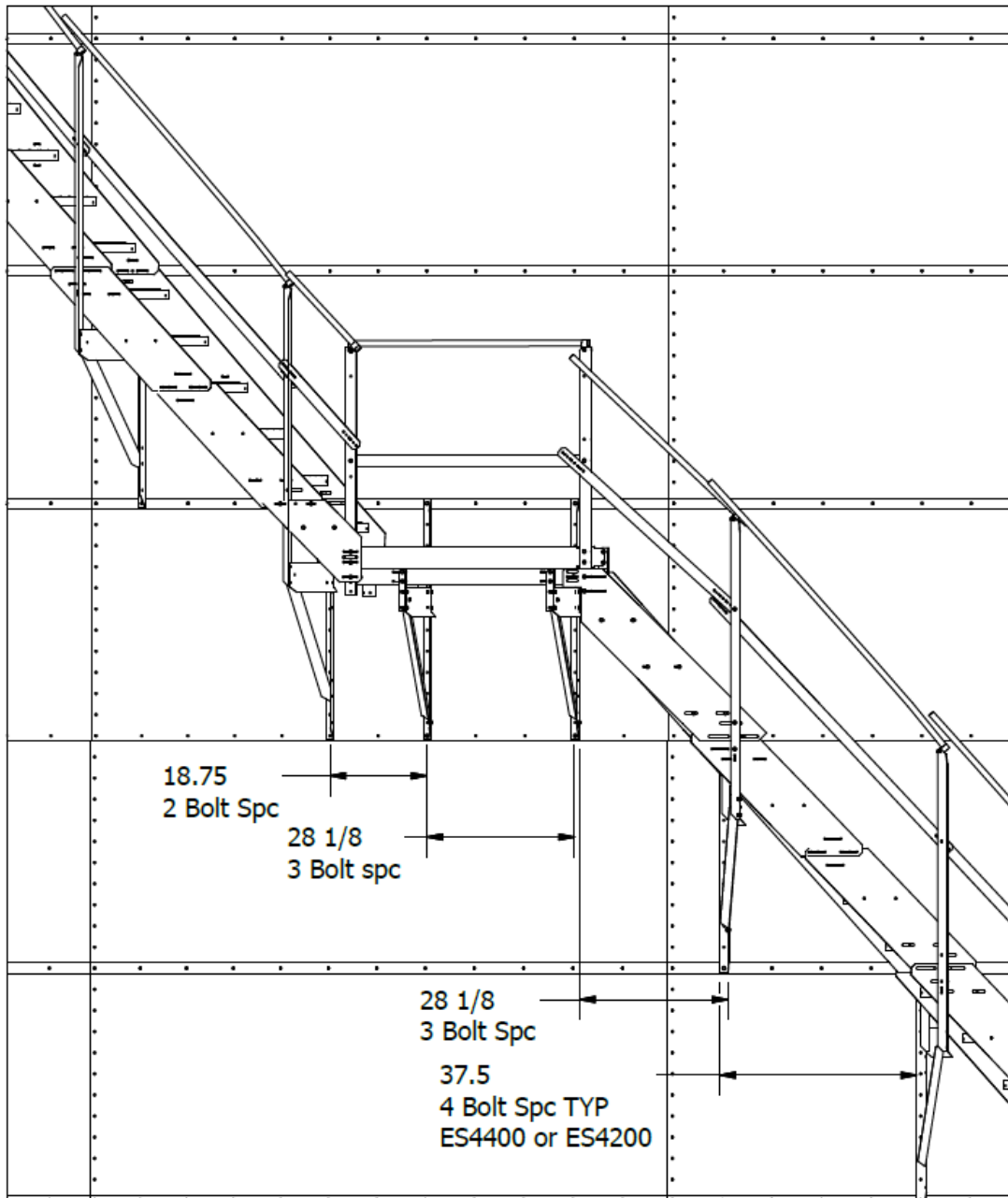
## 1. Platform Layout

ES3544 Platform rests 12" below the eave and the A-frame brackets are 4 bolt spaces apart (37 1/2"). It is recommended to place two thirds of the platform under the roof ladder with the remainder under the manhole. The ES2600 Stair Section attaches to the platform and has an A-frame 3 bolt spaces (28 1/8") from the platform A-frame. This Stair Section is included in the ES-3544 platform package.



# IN-ES0001 for 44", 42" 45" rings

## 2. Intermediate Platform Layout



1. The platform should be laid out with the longer end toward the upward run of the stairs.

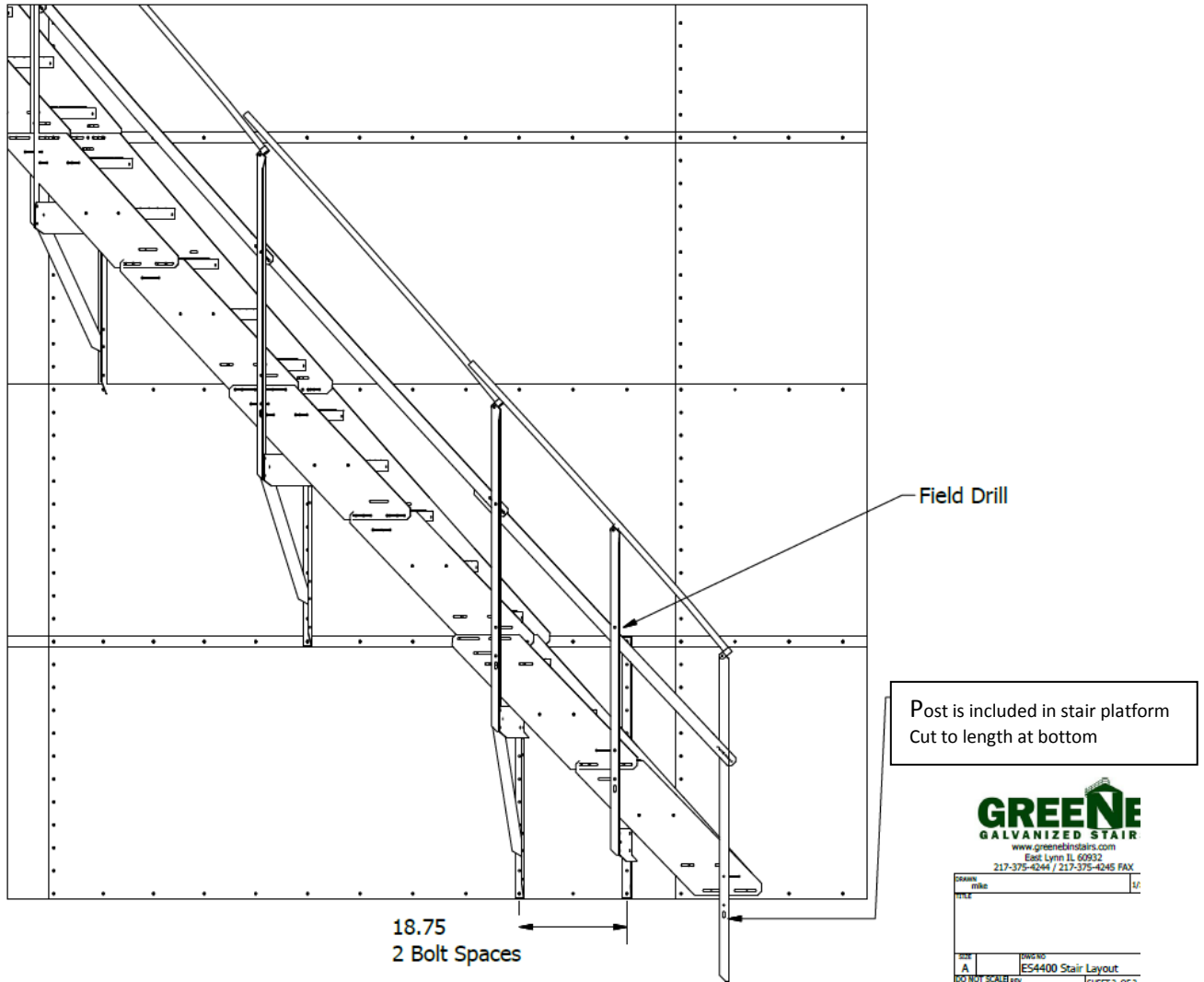
2. From the top down, the wall brackets are spaced 2, 3, 3 in terms of bolt spaces

- **Two** from the last stair section
- **Three** from the first intermediate platform wall bracket.
- **Three** from the last intermediate platform wall bracket to the next stair wall bracket.

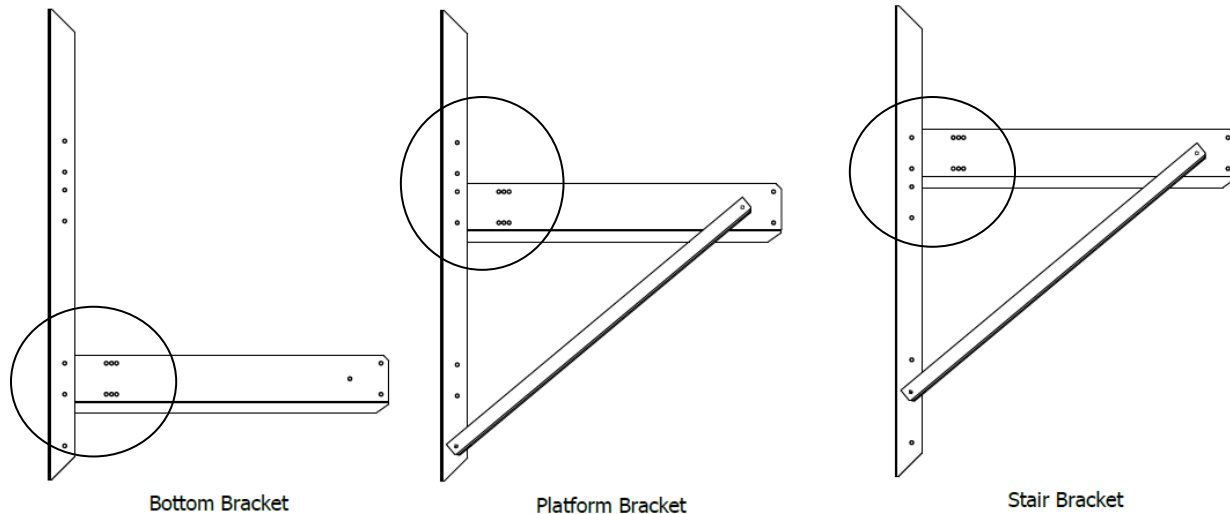
3. Platform A-frame wall brackets should be assembled like the platform layout shows in the instruction manual

# IN-ES0001 for 44", 42" 45" rings

## 3. Bottom Section Layout



## Assemble A-Frames



A-Frame Layout Drawing

# IN-ES0001 for 44", 42" 45" rings

## Assemble Stair Sections

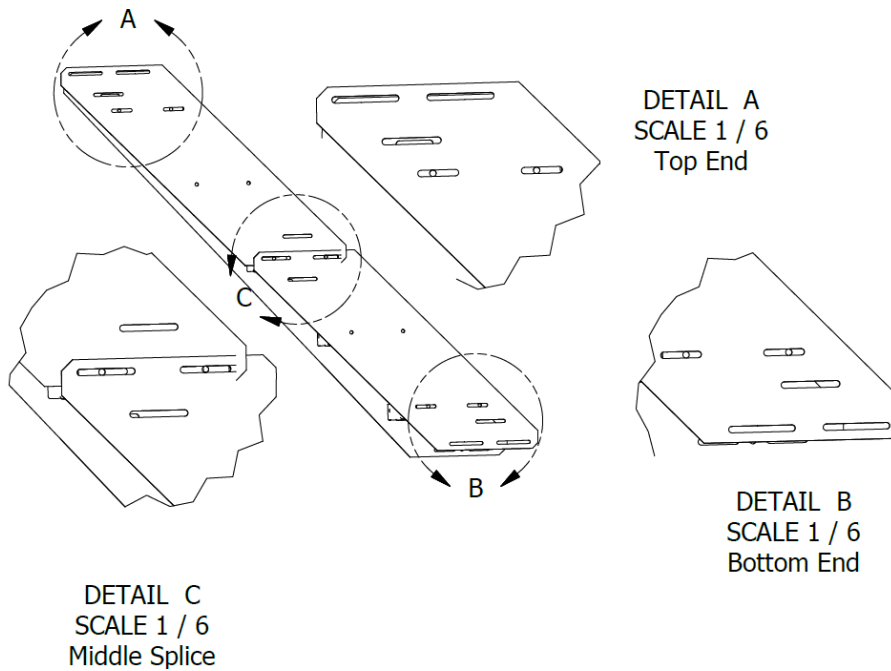
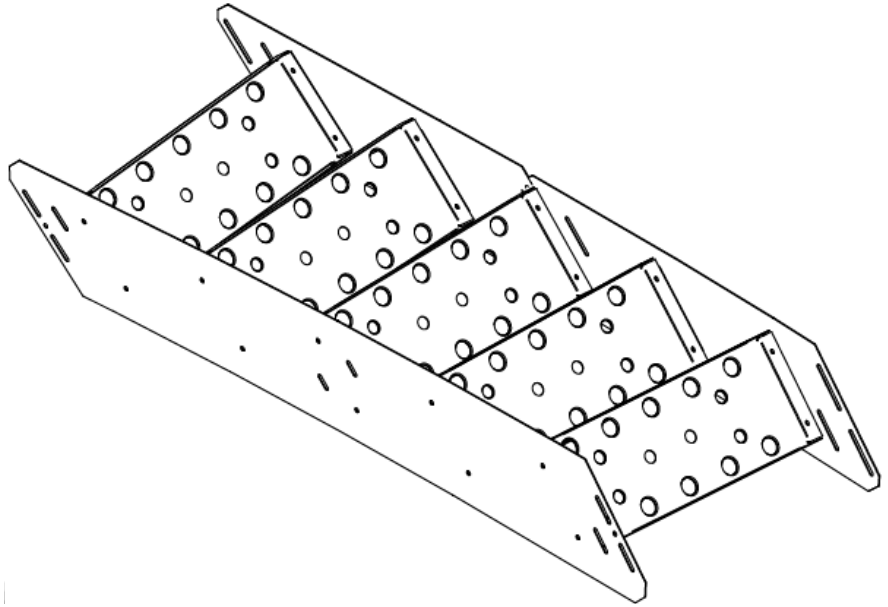
**Painted end of Siderails are ALWAYS UP.**

The ES4400 Stair Section has five steps. The A-frame attaches 4 bolt spaces (37.5") from the preceding A-frame.

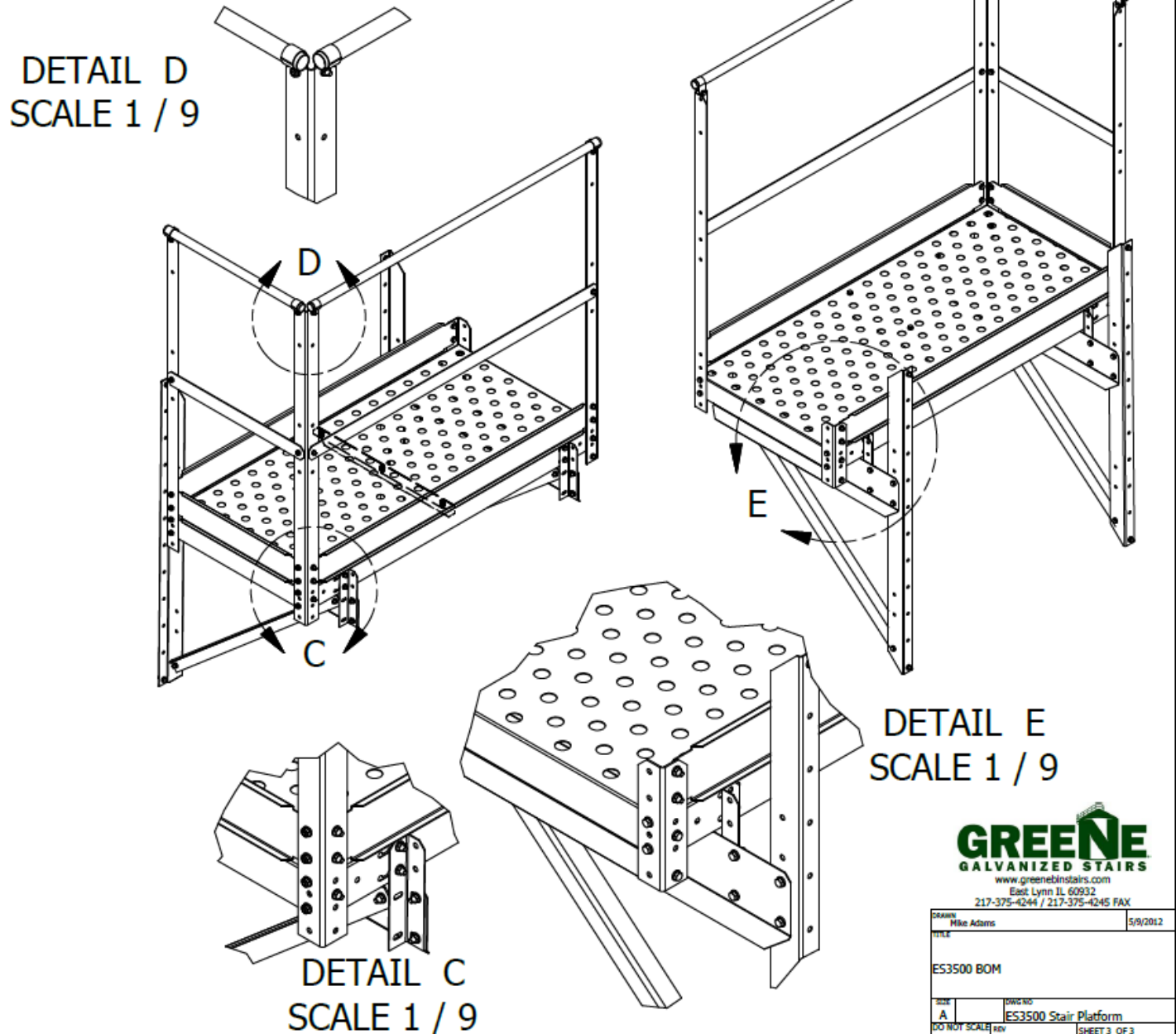
The Outside Siderails on ES4400 Stair Sections are two-piece

Attach the steps and tighten the steps to the inside Siderail also tighten

the round-hole connections to the outside Siderail but leave the slot connections loose for later adjustment.



# IN-ES0001 for 44", 42" 45" rings



## Assemble the Platform

These Instructions are for putting the stairs on as the bin is being built.

Attach the platform A-frames to begin installation.

**IMPORTANT: See wall bracket layout drawing for up and down indicator on wall bracket**

Attach the mid brace to the bottom of the platform skin through the pre punched holes.

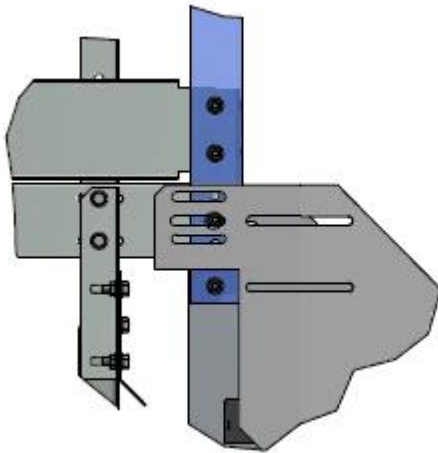
Attach Platform Skin to A-frames with the four short platform mount posts.

Attach the Platform posts and the kickboard post to the corners of the platform.

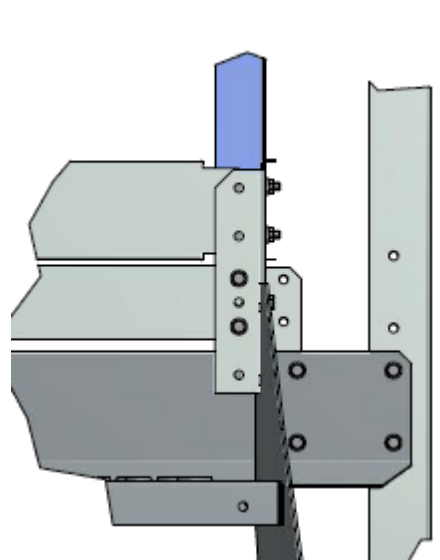
## IN-ES0001 for 44", 42" 45" rings

Attach the kick boards, hand and intermediate rails.

Attach Stair Section to platform with the hole in the platform skin and the bottom hole of the posts on the inside and outside Siderail. The shallow holes on the outside Siderail are for smaller bins (typ. 60' and under) and the deep holes are for larger bins. The top of the side rail is flush with deck to clear the kick board.



Outside Siderail Connection



Inside Entry Detail

Try to keep the inside Siderail as close to the center of the adjustment slot as possible to keep the stairs from creeping forward down the bin. Continue to monitor this as you put successive sections on by watching the connections on the short post to the Siderail. Stay as close as possible to center and keep post plumb.

Tighten Stair Sections from the inside out and from the top down. Always level the bottom step before tightening the outside Siderail splice. Use the slotted connections on the outside Siderail to adjust steps for even fan pattern.

Tighten all connections

# IN-ES0001 for 44", 42" 45" rings

## Attach Stair Sections

Attach the A-frame to the bottom of the Siderail using the top hole on the short post and the top hole (of the two) in the baluster post directly above the wall cross. After jacking the bin the A-frame will fit into place and be ready to attach the wall bracket to the bin wall.

The bin wall brackets call for one bolt at the top and bottom of the bracket on the horizontal bolt seam. (See layout section for attachment bolt spacing info.)

When attaching ES4400 Stair Sections, use the same procedure as the Stair Section on the platform, except level the middle step and tighten the upper splice, then level the bottom step and tighten the middle splice. ES4400 wall brackets are spaced 4 bolt spaces, or 37.5" around the bin.

## Assembly and Finishing of Bottom Section

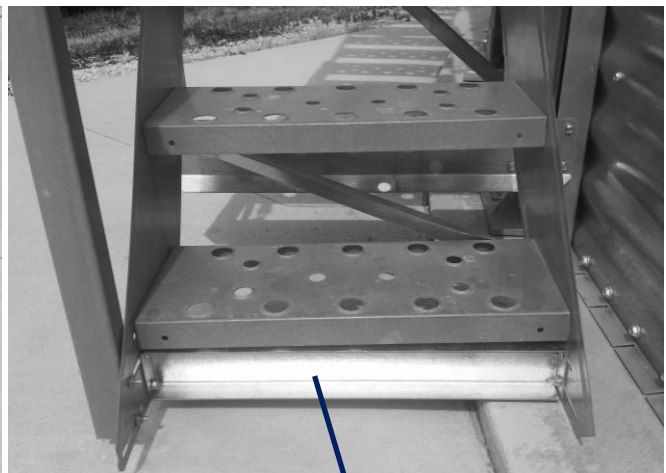
1. Attach ES-0026 Bottom Knee Brace to the rear inside hole of the bottom step
2. Attach the other end of the ES-0026 to the ES-0002 Wall Cross in the hole that would normally have a knee brace as pictured above.

NOTE: On some bin diameters this may not work. If the stair system has to be severely deformed to use this hole, simply drill a hole to allow connection.

3. Attach the ES-0024 Bottom Brace Bracket to the inside and outside siderails under the bottom step so as to not be in the walk path when coming off of the step.
4. On Bins with a rolled flange bottom ring it may be necessary to move the bottom brace up to the step bolts for the upper holes.
5. If possible, attach the bottom post to the bottom brace bracket. If that causes the post to be misaligned with the handrail and intermediate rail, then attaching them separately to the outside siderail will be adequate.



ES-0026  
Bottom Knee Brace



ES-0024  
Bottom Brace Bracket

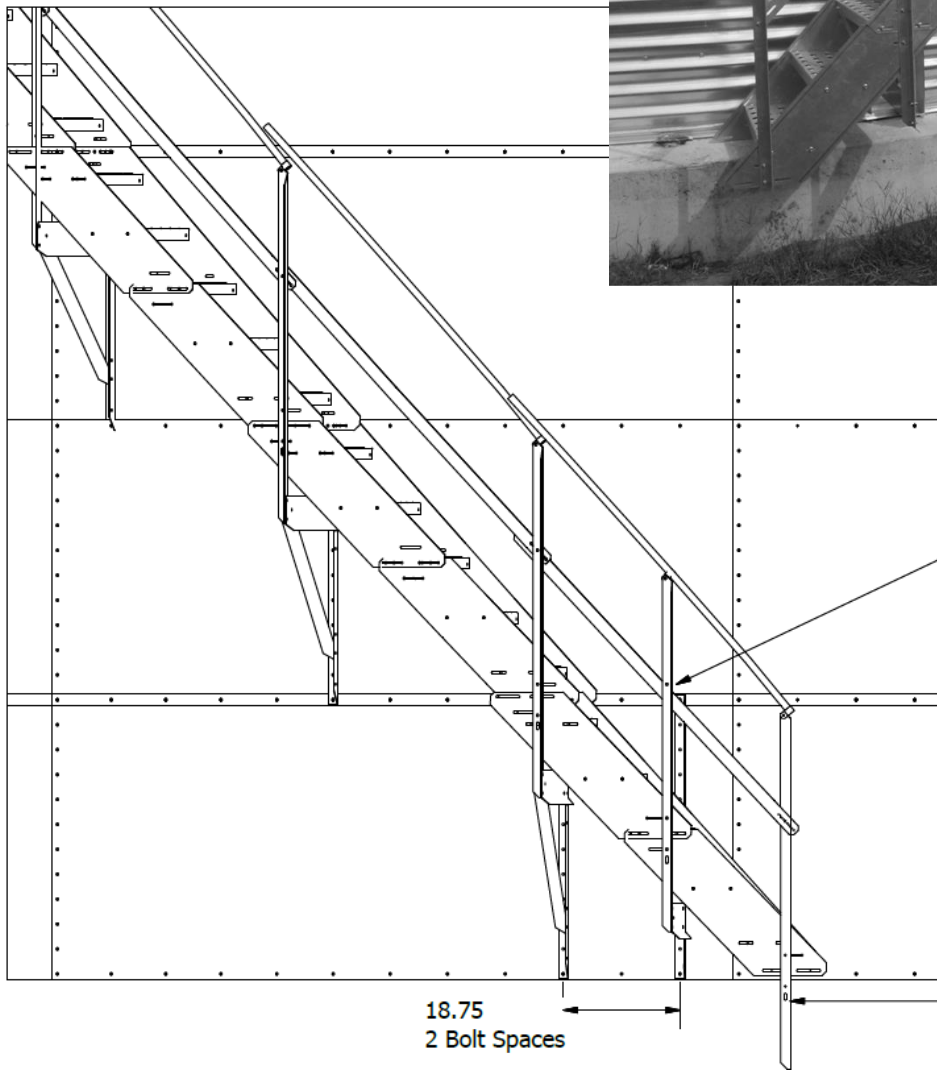
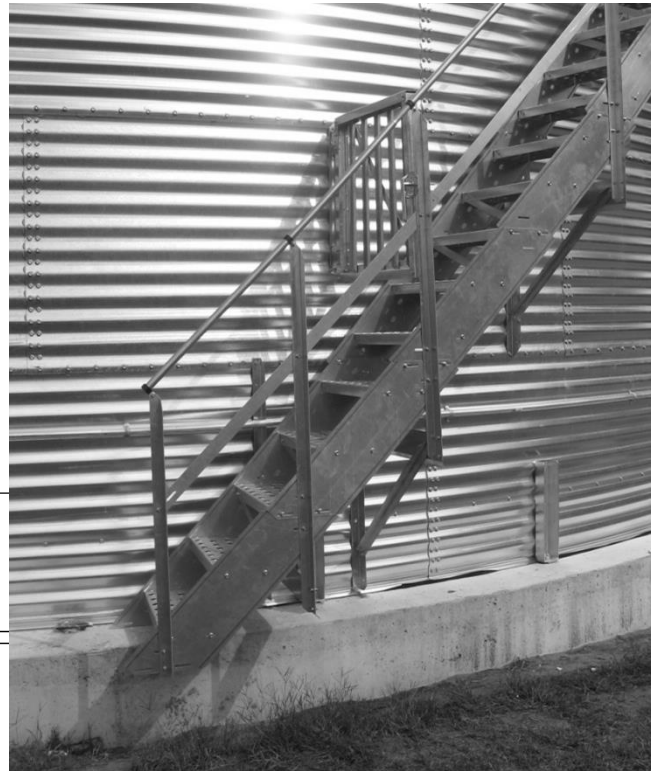


# IN-ES0001 for 44", 42" 45" rings

## Attach Bottom Section

The bottom section uses a special configuration of the A-frame. For assembly see the A-frame drawing. It attaches in the middle of the Stair Section and it is two bolt spaces, or 18.75" +/- from the last wall mount.

There is a baluster post, bottom brace bracket and bottom knee brace included with the platform that attaches to the bottom of the bottom section. This allows the handrail to end at the bottom of the stairs and braces the bottom two steps and post.



Post is included in stair platform  
Cut to length at bottom

**GREENE**  
GALVANIZED STAIR  
www.greenestairs.com  
East Lynn IL 60932  
217-375-4244 / 217-375-4245 FAX

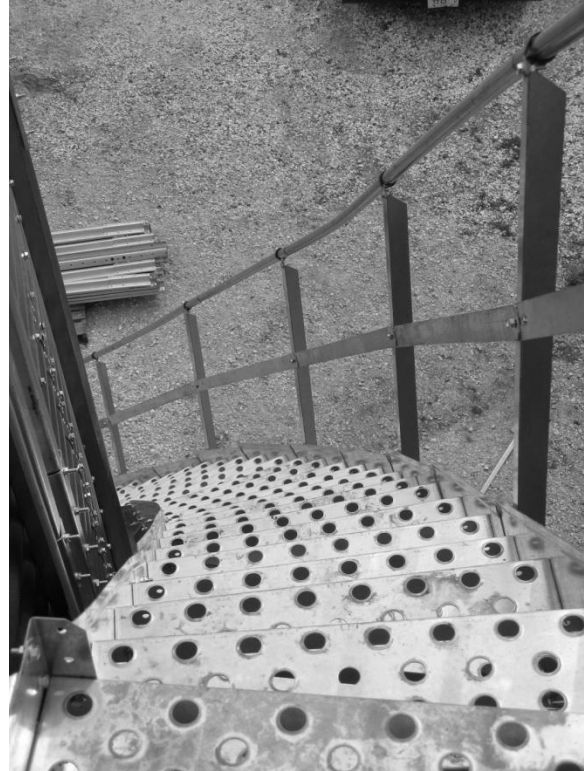
DATE	BY	SCALE
A	ES4400 Stair Layout	1/2"
DO NOT SCALE		



# IN-ES0001 for 44", 42" 45" rings

## Attach Handrail

Shape the round handrail according to the circumference of the bin and attach them to the baluster posts using the coated "p-strap" with the **swaged end facing up** in the direction of the stair run. **The handrail clamp should be oriented outward. Insert the bolt through both holes on the handrail clamp, push the bolt through the hole in the baluster post, and fasten the nut to the outside so that the bolt head is on the inside of the stairs.**(See Illustration on next page) Make sure the handrail clamp is fastened tightly together and the **post is not between the two tabs**. The bottom of each handrail section should be flush with the down hill edge of the Handrail Clamp. There is a self drilling screw for each stair section to screw the handrail into the handrail clamp.



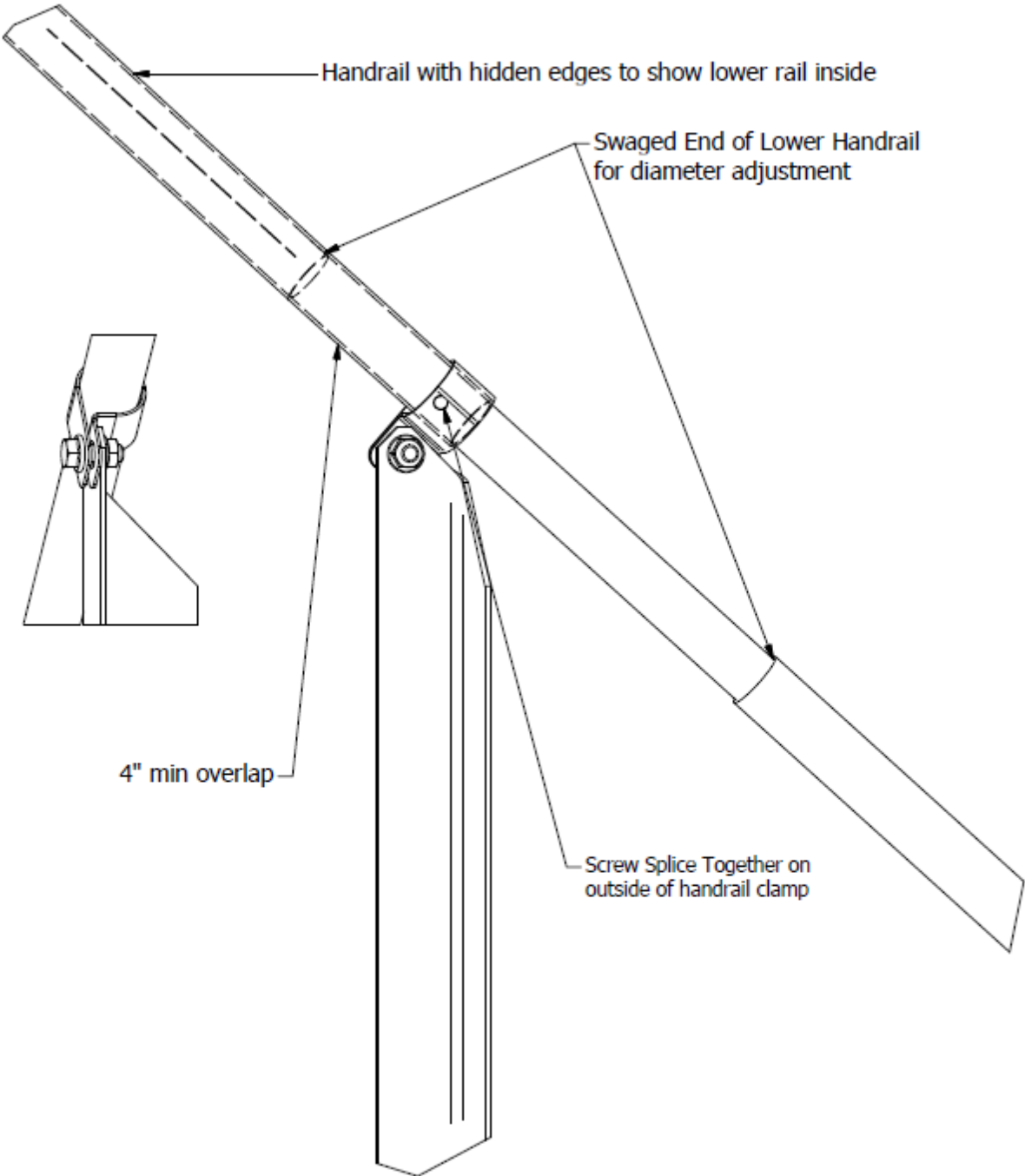
Intermediate rails bolt on the posts through the slots and are to be centered between each baluster post.

Recommended: Tubing Roll Former from Harbor Freight for Shaping Handrail to Bin Diameter.



Pittsburgh - Item#99736

IN-ES0001 for 44", 42" 45" rings



Easy Step Handrail Clamp  
Handrail Installation Layout  
Outside View