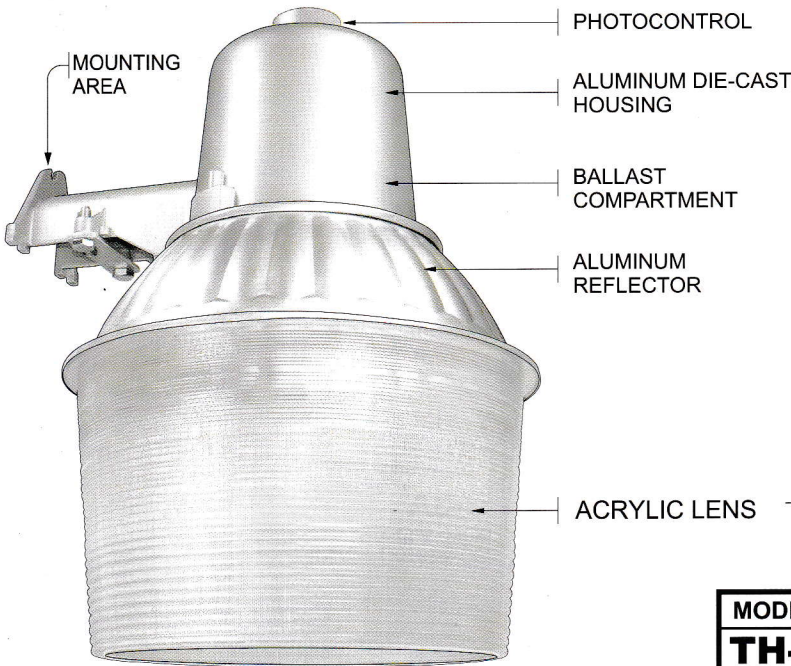
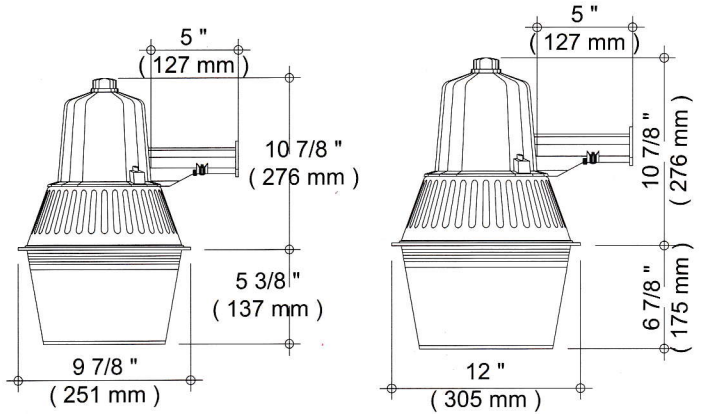


# AMCO ALUMINUM DIE CAST URBAN REFLECTOR



**WITH HIGH PRESSURE SODIUM LAMP**

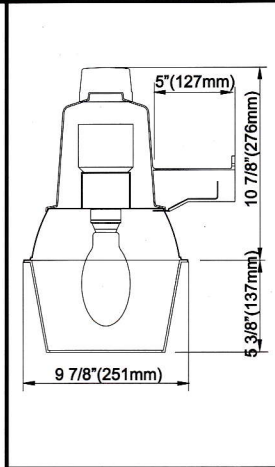


MODEL NO.	Wattage
<b>TH-70</b>	70 WATTS

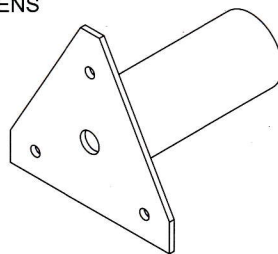
MODEL NO.	Wattage
<b>TH-150</b>	150 WATTS

(PHOTO CONTROL, BALLAST & BULB are INCLUDED)

**MODEL NO. TH-150-B**  
(HOUSING ONLY w/o BALLAST & BULB)

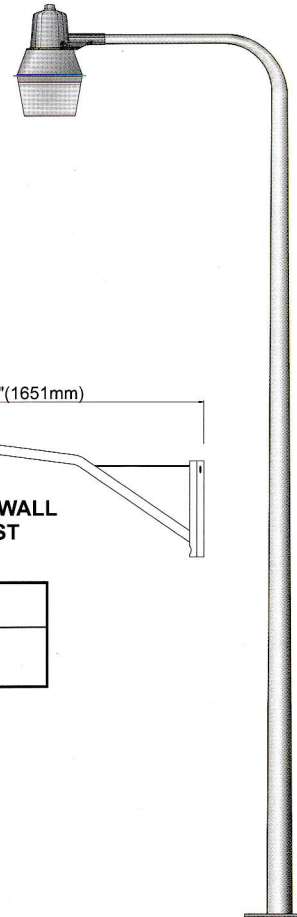


(PHOTO CONTROL, BALLAST and MERCURY BULB are INCLUDED)



ADAPTER FOR 1" Ø ROUND PIPE

MODEL NO.	Wattage
<b>TH-175</b>	175 WATTS



BRACKET FOR WALL & WOODEN POST

MODEL NO.
<b>B-3F</b>

URBAN REFLECTOR w/ LAMP POST