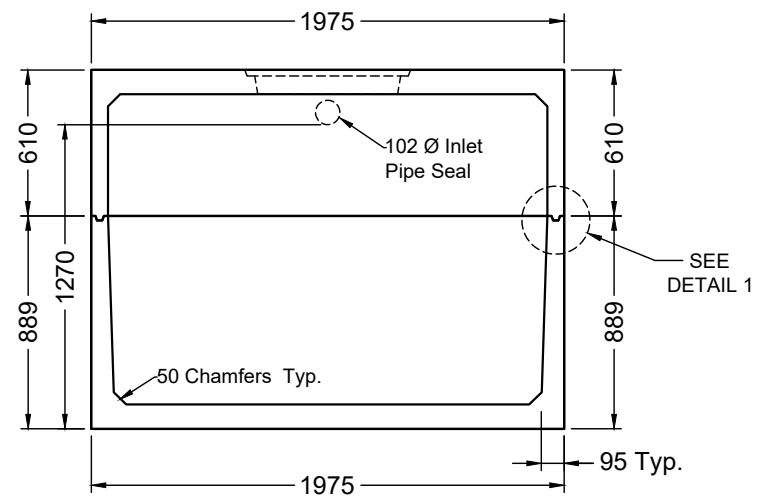
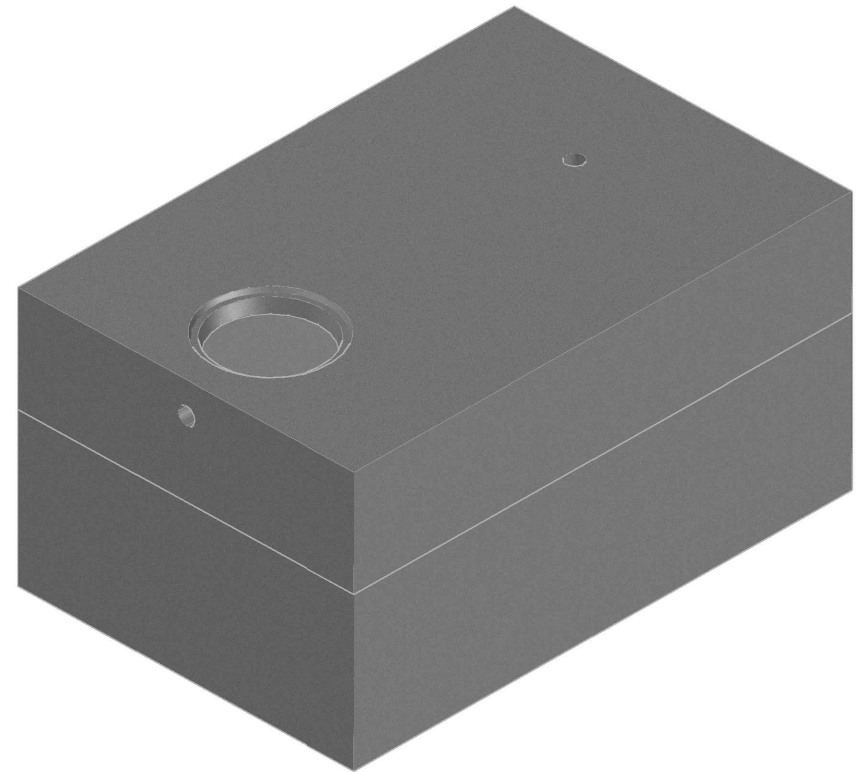


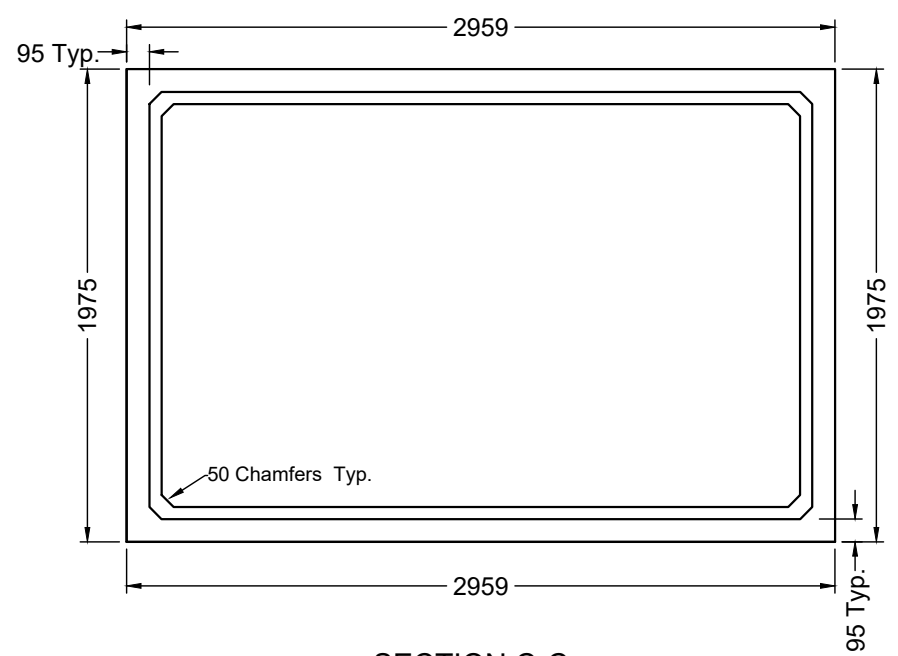
PLAN VIEW



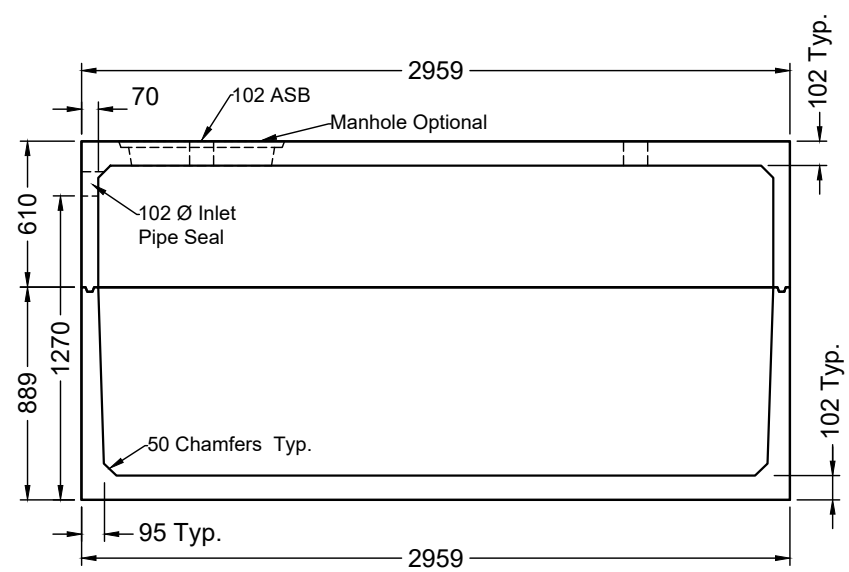
SECTION A-A



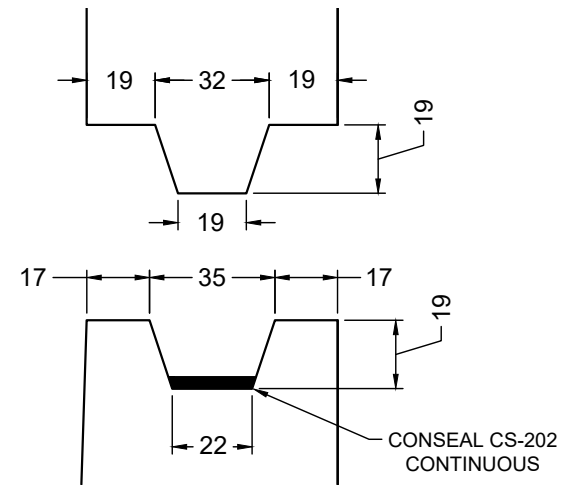
ISOMETRIC VIEW



SECTION C-C



SECTION B-B



DETAIL 1

- NOTES:
- 1) 28 DAY STRENGTH: MIN. 32 MPa.
 - 2) REINFORCING TO CAN/CSA-G30.18
 - 3) BUILT ACCORDING TO CSA B66-16
 - 4) ALL UNITS ARE IN MILLIMETERS UNLESS OTHERWISE NOTED.

TOTAL WEIGHT = 5350 kg



DWG. NO.	REFERENCE	NO.:	REVISION DESCRIPTION	BY	APP'D	DATE	DRW BY	SWM	2017/12/01
-	-	A	Plan Issued	SWM	-	2017/12/01	CH'K BY	-	-
-	-	-	-	-	-	-	AP'D BY	-	-
-	-	-	-	-	-	-	AP'D BY	-	-
-	-	-	-	-	-	-	AP'D BY	-	-
-	-	-	-	-	-	-	SCALE: NTS	-	-

TITLE:	1500 GALLON LOW PROFILE 2 PIECE HOLDING TANK DETAIL DRAWING
JOB NAME:	JOB NO.:
DRAWING NO.:	SVI-HTLP-1500-01A

