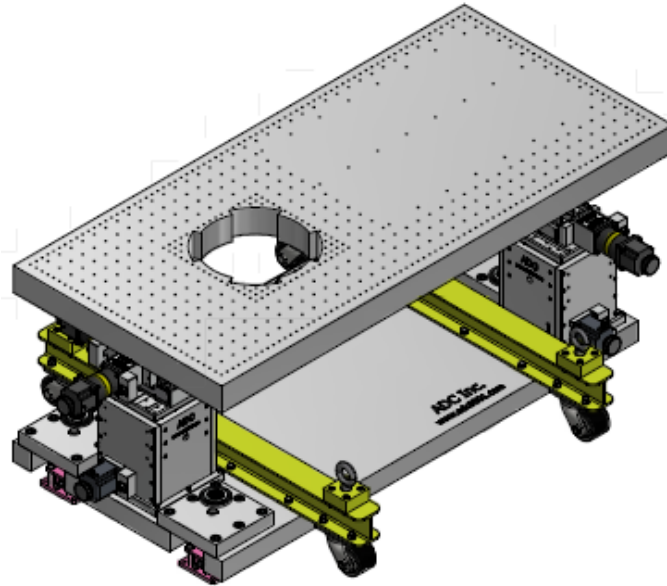




**Customer:**  
SLAC National Accelerator Laboratory  
2575 Sand Hill Road M/S 1  
Menlo Park, CA 94025



ADC has designed an optical table that will be used by SLAC National Accelerator Laboratory to both support and accurately position research equipment. The optical table has been designed to have 6 Degrees of Freedom with sufficient travel, resolution, and repeatability in each direction to meet all of SLAC's specifications. The overall dimensions of the table, as well as the features machined into the surface of the table, have been custom designed to support SLAC's microscope, chambers, and related components. Additionally, the optical table has been engineered to support the load of the microscope and its related equipment without any significant deflections, helping to ensure the accuracy of the table.

