



(19) **United States**

(12) **Patent Application Publication**

Rasselkorde et al.

(10) **Pub. No.: US 2016/0123932 A1**

(43) **Pub. Date: May 5, 2016**

(54) **METHOD FOR ULTRASOUND SCANNING OF A WELD BUILDUP**

(52) **U.S. Cl.**
CPC *G01N 29/11* (2013.01); *F01D 21/003* (2013.01); *G01N 29/04* (2013.01); *G01N 2291/2672* (2013.01); *G01N 2291/2693* (2013.01)

(71) Applicant: **Siemens Energy, Inc.**, Orlando, FL (US)

(72) Inventors: **El Mahjoub Rasselkorde**, Monroeville, PA (US); **Michael F. Fair**, Oakmont, PA (US); **David S. Segletes**, York, SC (US); **Erik A. Lombardo**, Sharon, SC (US); **Scott M. Westby-Gibson**, Charlotte, NC (US); **Waheed A. Abbasi**, Murrysville, PA (US)

(57) **ABSTRACT**

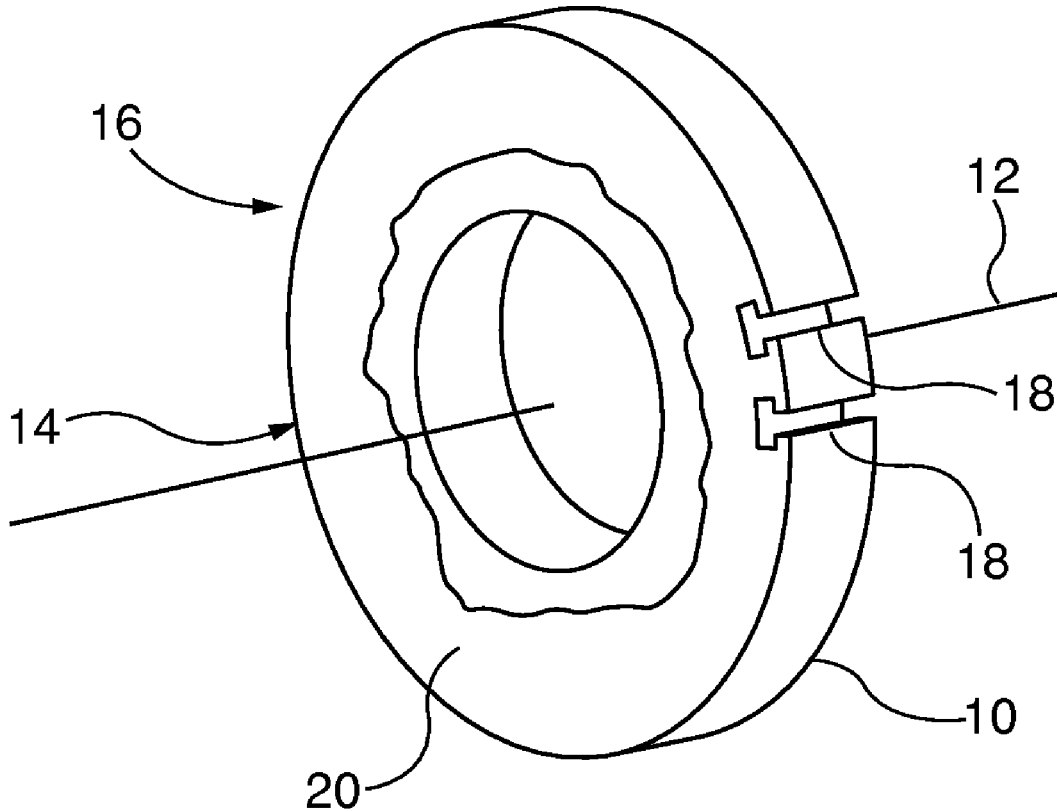
A method for scanning a weld buildup formed on a circumferential portion of a disc for a steam turbine. The method includes providing an ultrasound probe for generating at least one ultrasound beam sweep. The circumferential portion is scanned with a first beam sweep oriented in a first beam orientation to detect a first flaw type in the weld buildup. The circumferential portion is also scanned with a second beam sweep oriented in a second beam orientation to detect a second flaw type in the weld buildup. Further, the circumferential portion is scanned with a third beam sweep oriented in a third beam orientation to detect a third flaw type in the weld buildup. The method also includes rotating the disc about a disc axis during scanning of the circumferential portion and moving the first, second and third beam sweeps in a direction parallel to the disc axis during scanning.

(21) Appl. No.: **14/527,826**

(22) Filed: **Oct. 30, 2014**

Publication Classification

(51) **Int. Cl.**
G01N 29/11 (2006.01)
G01N 29/04 (2006.01)
F01D 21/00 (2006.01)



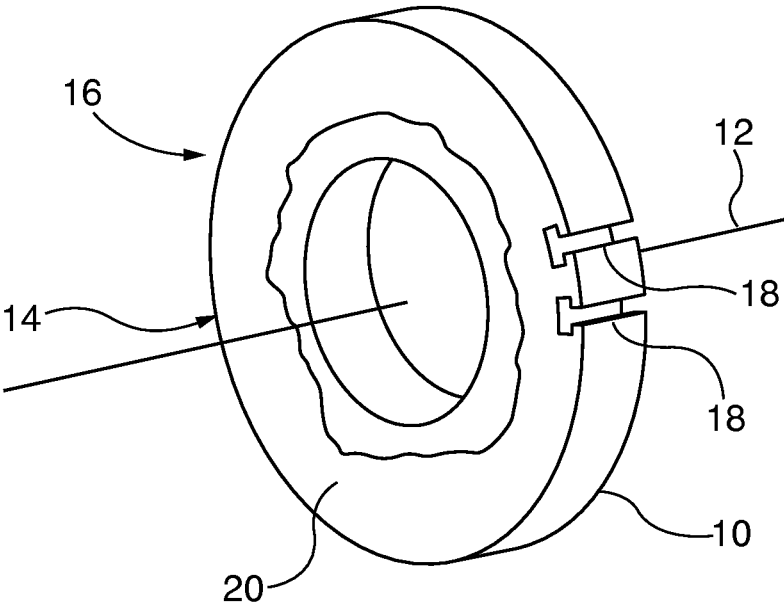


FIG. 1

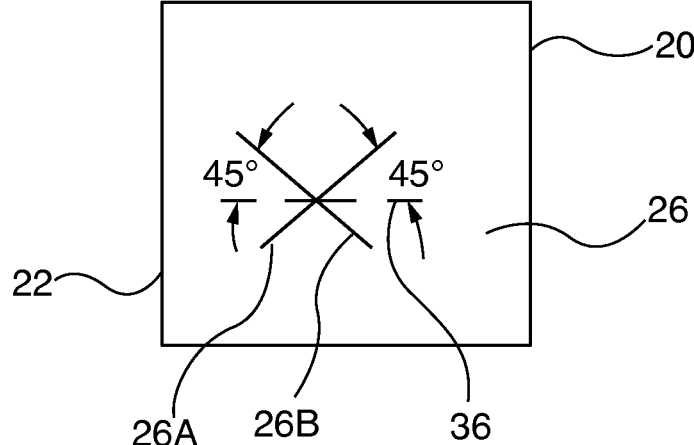


FIG. 4

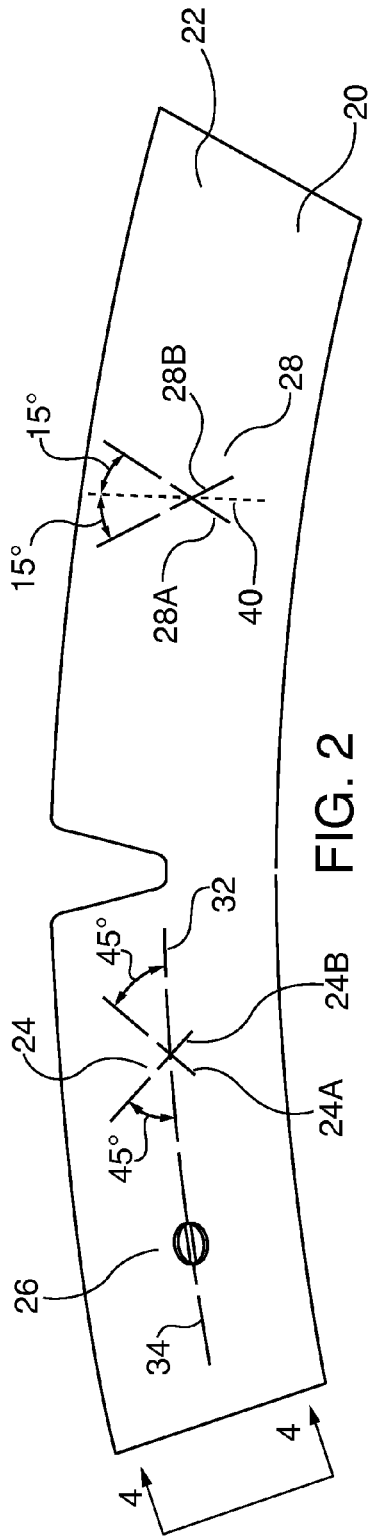


FIG. 2

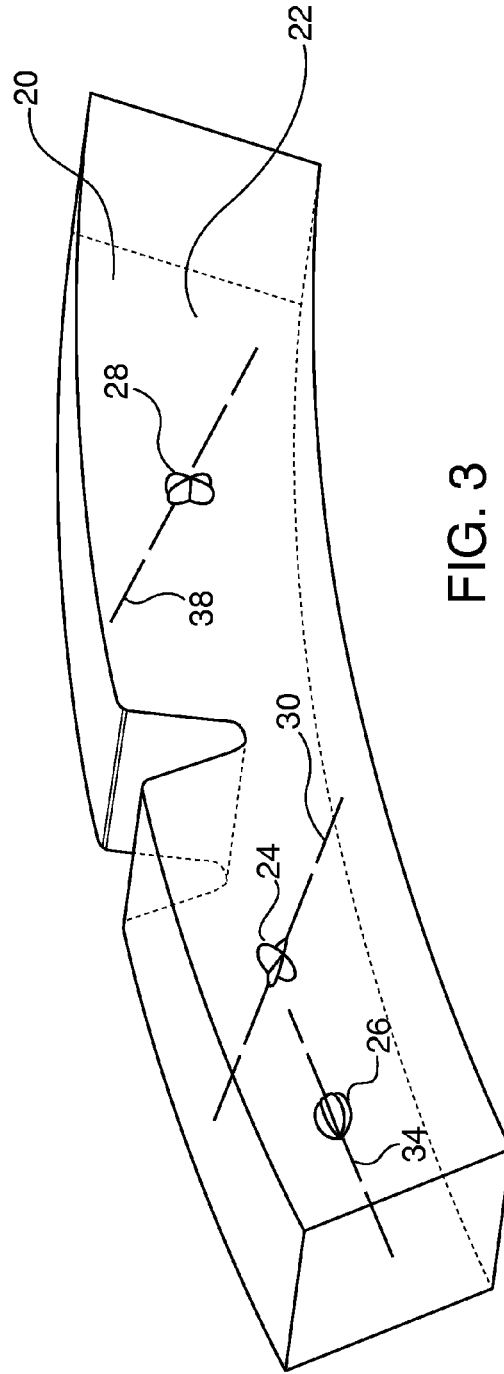


FIG. 3

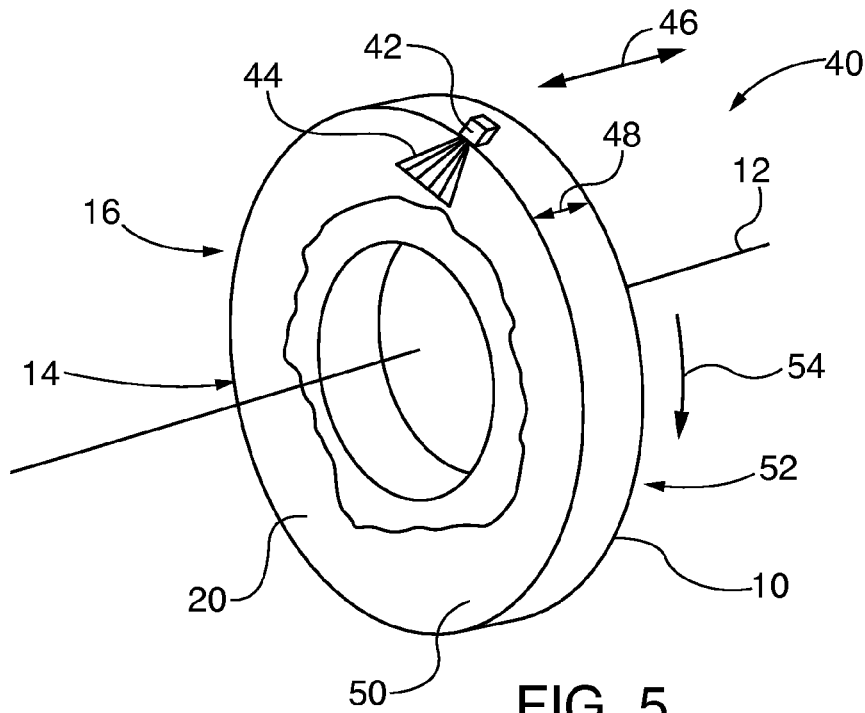


FIG. 5

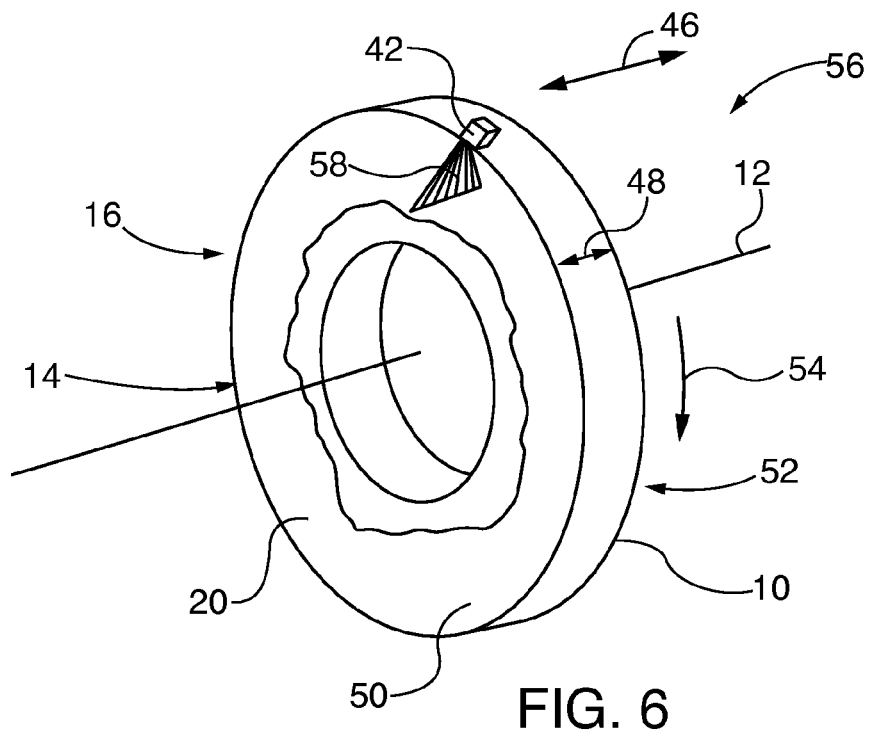
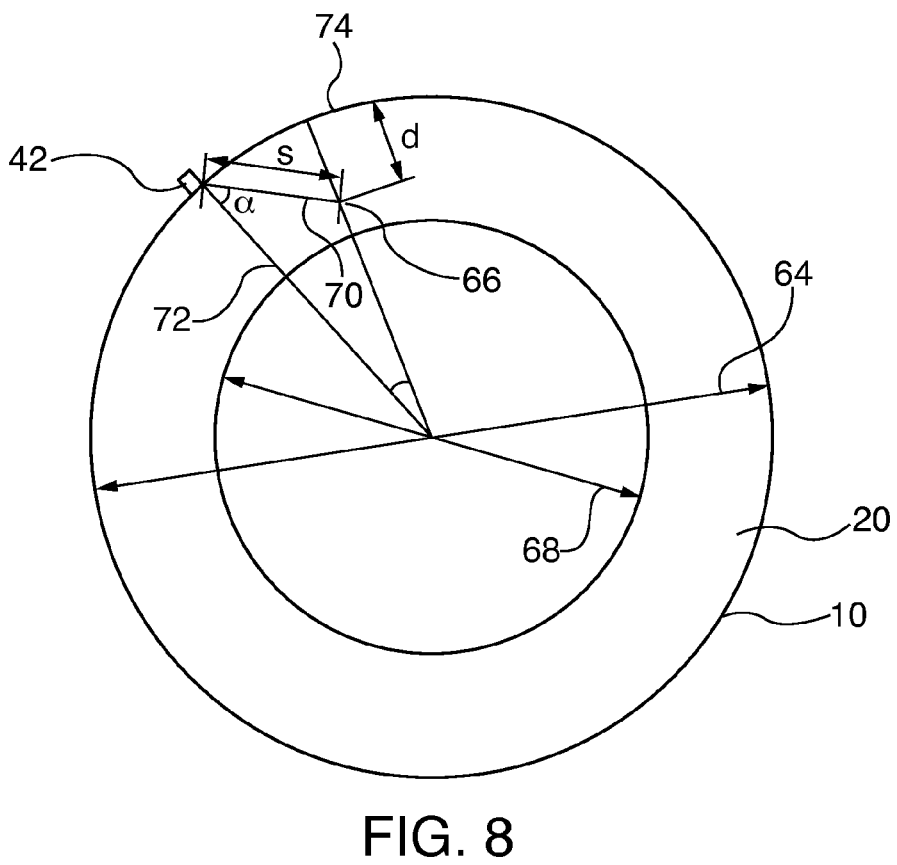
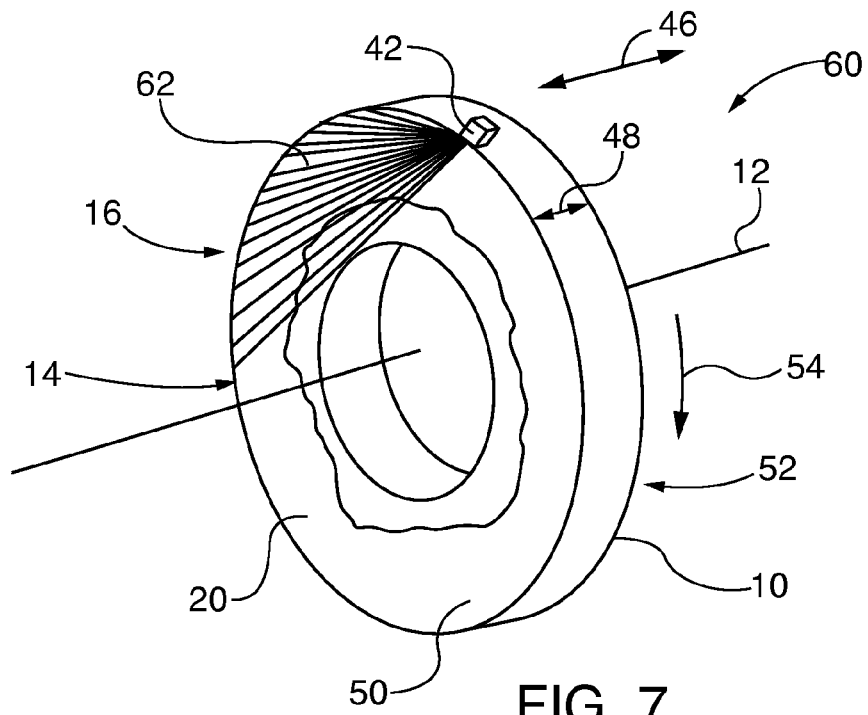
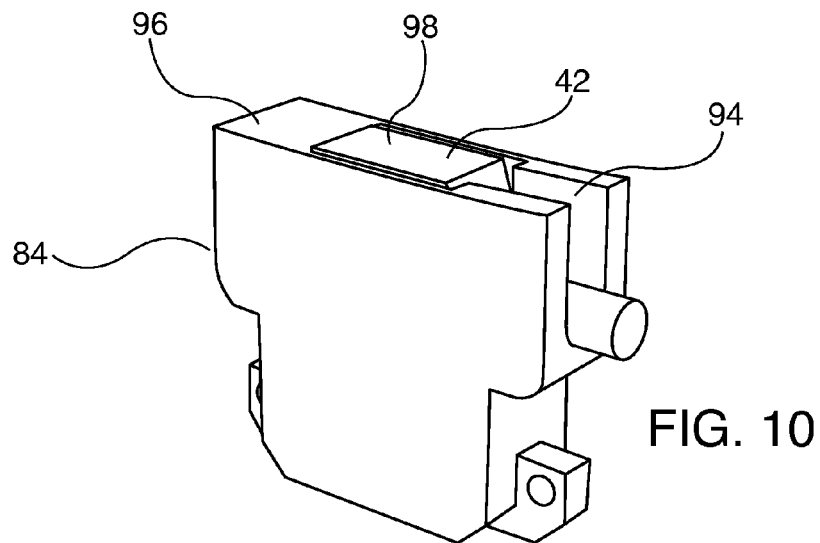
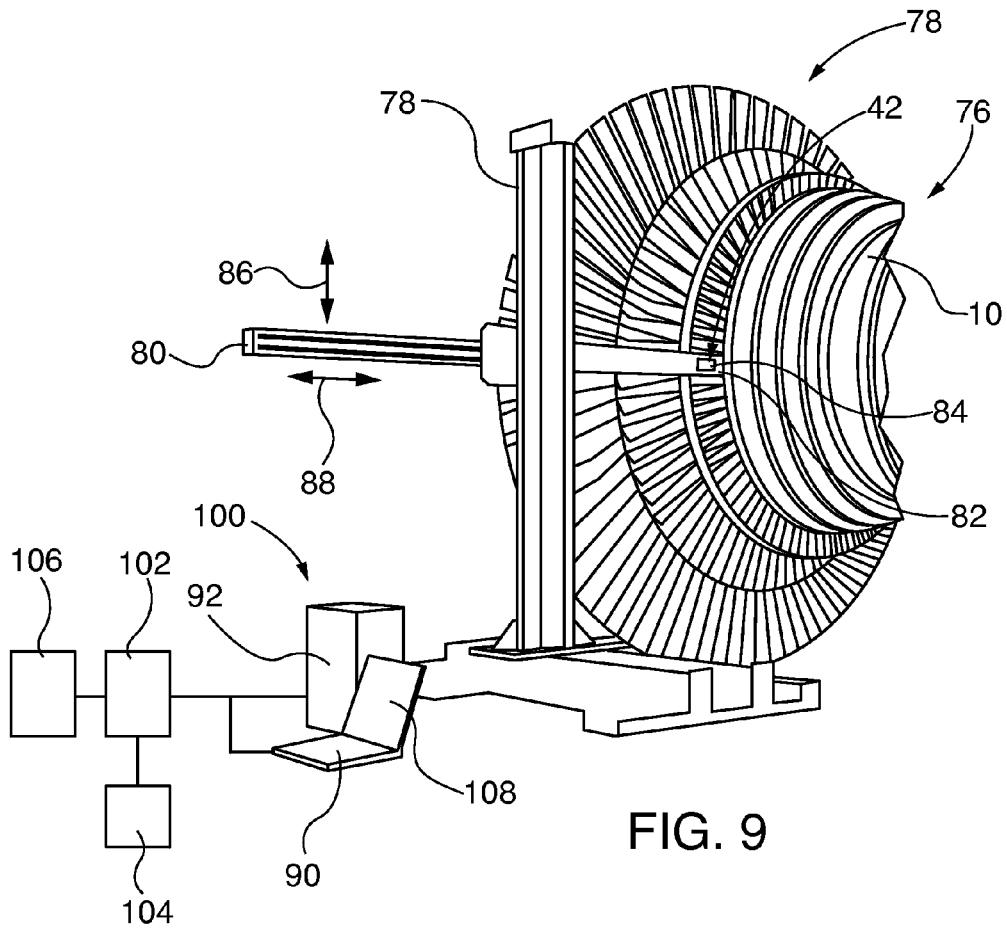


FIG. 6





METHOD FOR ULTRASOUND SCANNING OF A WELD BUILDUP

FIELD OF THE INVENTION

[0001] The invention relates to ultrasonic scanning of a weld buildup formed on a circumferential portion of a disc of a steam turbine, and more particularly, to a method for ultrasound scanning of the weld buildup that includes scanning the circumferential portion with first, second and third beam sweeps oriented in first, second and third beam orientations to detect first, second and third flaw types in the weld buildup.

BACKGROUND OF THE INVENTION

[0002] Components of a turbine, such as turbine rotors and discs, are subjected to high stresses due to high operational speeds and temperatures. This results in the erosion of material in areas in which a turbine blade is attached to a disc (i.e. turbine blade attachment areas) and in shaft coupling areas, for example, that have complex geometries. In order to reconstruct or repair eroded areas of the turbine, a weld buildup process is used. In this process, an area to be repaired undergoes an initial machining step to prepare the area for welding. Weld material is then welded to the repair area to form a weld buildup that is subsequently heat-treated. A final machining step is then performed in order to form a desired machined shape from the weld buildup. Prior to final machining, an ultrasonic inspection is performed in order to detect flaws in the weld buildup and determine the size of the flaws.

[0003] The ultrasonic inspection is performed manually using a conventional ultrasonic straight beam probe. However, this type of arrangement can only detect flaws that are oriented in a horizontal direction (i.e. 0 degrees). Therefore, it is desirable to provide improved flaw detection techniques in a turbine component.

SUMMARY OF INVENTION

[0004] Areas of a steam turbine disc such as a circumferential blade attachment area become eroded after continued operation of the turbine. The eroded area is repaired by welding material to the eroded area, which forms a weld buildup. An ultrasonic inspection is performed in order to detect flaws in the weld buildup and determine the size of the flaws. It has been found by the inventors herein that conventional ultrasonic inspection using an ultrasonic straight beam probe results in an inaccurate characterization of flaws in the weld buildup due to the beam spread of the probe. In particular, lab investigations of weld buildup test blocks show that flaws in the weld buildup may have orientations other than horizontal. In addition, flaws that are arranged in clusters are inaccurately characterized as linear flaws when using conventional ultrasonic inspection methods.

[0005] A method for scanning a weld buildup formed on a circumferential portion of a disc for a steam turbine is disclosed. The method includes providing an ultrasound probe for generating at least one ultrasound beam sweep. The circumferential portion is scanned with a first beam sweep oriented in a first beam orientation to detect a first flaw type in the weld buildup. The circumferential portion is also scanned with a second beam sweep oriented in a second beam orientation to detect a second flaw type in the weld buildup. Further, the circumferential portion is scanned with a third beam sweep oriented in a third beam orientation to detect a third flaw type in the weld buildup. The method also includes

rotating the disc about a disc axis during scanning of the circumferential portion and moving the first, second and third beam sweeps in a direction parallel to the disc axis during scanning of the circumferential portion.

[0006] Those skilled in the art may apply the respective features of the present invention jointly or severally in any combination or sub-combination.

BRIEF DESCRIPTION OF DRAWINGS

[0007] The teachings of the present invention can be readily understood by considering the following detailed description in conjunction with the accompanying drawings, in which:

[0008] FIG. 1 is a view of an exemplary turbine disc of a steam turbine.

[0009] FIG. 2 is a side view of a section of the disc.

[0010] FIG. 3 is a perspective view of a section of the disc.

[0011] FIG. 4 is an end view of the disc along view line 4-4 of FIG. 2.

[0012] FIG. 5 depicts a first ultrasound scanning technique for detecting a first flaw type.

[0013] FIG. 6 depicts a second ultrasound scanning technique for detecting a second flaw type.

[0014] FIG. 7 depicts a third ultrasound scanning technique for detecting a third flaw type.

[0015] FIG. 8 is a side view of the disc.

[0016] FIG. 9 is a view of an ultrasound inspection system in accordance with the present invention.

[0017] FIG. 10 is a view of a holder for holding an ultrasound probe.

[0018] To facilitate understanding, identical reference numerals have been used, where possible, to designate identical elements that are common to the figures.

DETAILED DESCRIPTION

[0019] Although various embodiments that incorporate the teachings of the present invention have been shown and described in detail herein, those skilled in the art can readily devise many other varied embodiments that still incorporate these teachings. The invention is not limited in its application to the exemplary embodiment details of construction and the arrangement of components set forth in the description or illustrated in the drawings. The invention is capable of other embodiments and of being practiced or of being carried out in various ways. Also, it is to be understood that the phraseology and terminology used herein is for the purpose of description and should not be regarded as limiting. The use of “including,” “comprising,” or “having” and variations thereof herein is meant to encompass the items listed thereafter and equivalents thereof as well as additional items. Unless specified or limited otherwise, the terms “mounted,” “connected,” “supported,” and “coupled” and variations thereof are used broadly and encompass direct and indirect mountings, connections, supports, and couplings. Further, “connected” and “coupled” are not restricted to physical or mechanical connections or couplings.

[0020] Referring to FIG. 1, a view of an exemplary turbine disc 10 of a steam turbine having a disc axis 12 is shown. It is understood that the current disclosure is also applicable to gas turbines and other types of turbines that have a weld buildup. The disc 10 includes a circumferential portion 14 having a turbine blade attachment area 16 including a plurality of channels or blade grooves 18 (only two grooves are shown in FIG. 1 for purposes of clarity) or other attachment features.

Each groove **18** is adapted to receive a mating projecting portion of an associated turbine blade to thus attach the turbine blade to the disc **10**. The turbine blade attachment area **16** becomes eroded as a result of operation of the turbine. In order to repair the blade attachment area **16**, the circumferential portion **14** undergoes an initial machining step to prepare the area for welding. Weld material is then welded to the circumferential portion **14** to form a weld buildup **20** that is subsequently heat-treated. A final machining step is ultimately performed in order to form a desired machined shape from the weld buildup **20**. Prior to final machining, an ultrasonic inspection is performed in order to detect flaws in the weld buildup **20** and determine the size of the flaws.

[0021] It has been found by the inventors herein that conventional ultrasonic inspection using an ultrasonic straight beam probe results in an inaccurate characterization of flaws in the weld buildup **20** due to the beam spread of the probe. In particular, lab investigations of weld buildup test blocks show that flaws in the weld buildup **20** may have orientations other than horizontal. In addition, flaws that are arranged in clusters are inaccurately characterized as linear flaws when using conventional ultrasonic inspection methods.

[0022] Referring to FIGS. 2 and 3, side and perspective views are shown of a section **22** of the disc **10**. FIG. 4 is an end view of the disc **10** along view line 4-4 of FIG. 2. FIGS. 2, 3 and 4 depict possible first **24**, second **26** and third **28** types of flaws that may occur in the weld buildup **20**, as found by the inventors herein. A flaw in the weld buildup **20** may be categorized as either a first **24**, second **26** or third **28** type of flaw based on an orientation of the flaw about an axis and its associated inclination angle. Referring to FIGS. 2 and 3, flaws categorized as a first flaw type **24** includes flaws that are oriented about an axial axis **30** (FIG. 3) and having an inclination angle of approximately ± 45 degrees relative to a horizontal axis **32** (two exemplary flaw orientations **24A, 24B** are shown in FIG. 2). Referring to FIG. 4 in conjunction with FIGS. 2 and 3, flaws categorized as a second flaw type **26** includes flaws that are oriented about a circumferential axis **34** (FIG. 3) and having an inclination angle of approximately ± 45 degrees relative to a horizontal axis **36** (two exemplary flaw orientations **26A, 26B** are shown in FIG. 4). That is, the second flaw type **26** includes flaws that are oriented 90 degrees relative to the first flaw type **24**. Referring back to FIGS. 2 and 3, flaws categorized as a third flaw type **28** includes flaws that are oriented about an axial axis **38** (FIG. 3) and having an inclination angle of approximately ± 15 degrees relative to a vertical axis **40** (two exemplary flaw orientations **28A, 28B** are shown in FIG. 2).

[0023] The first **24** and second **26** flaw types are characterized as axial/circumferential flaws since the flaws **24, 26** are generally oriented in a circumferential direction of the disc **10** (i.e. the flaws **24, 26** are oriented approximately ± 45 degrees relative to the horizontal axes **32, 36**, respectively). In addition, the third flaw type **28** is characterized as an axial/radial flaw since the flaw **28** is generally oriented in a radial direction (i.e. the flaw **28** is oriented approximately ± 15 degrees relative to the vertical axis **40**).

[0024] In accordance with the invention, first, second and third ultrasonic scanning techniques are used to detect the first **24**, second **26** or third **28** flaw types, respectively. Referring to FIG. 5, a first ultrasound scanning technique **40** for detecting the first flaw type **24** is shown. An ultrasound phased array system having a multi element probe **42** is used in the scanning techniques. The probe **42** generates a longi-

tudinal wave (i.e. L-wave) that extends downward toward the disc axis **12** and through the circumferential portion **14** of the disc **10**. In particular, the probe **42** generates an ultrasound beam that sweeps in a direction substantially perpendicular to the disc axis **12** to form a beam sweep **44** that is transverse to the disc axis **12**. The probe **42** is also moved in an axial direction **46** substantially parallel to the disc axis **12** such that the transverse beam sweep **44** moves through a width **48** of the disc **10** between first **50** and second **52** sidewalls of the circumferential portion **14**. Further, the disc **10** simultaneously rotates in a selected direction **54** (i.e. either a clockwise or counterclockwise direction) about the disc axis **12** as the probe **42** is moved in the axial direction **48** to form an L-wave radial scan.

[0025] Referring to FIG. 6, a second ultrasound scanning technique **56** for detecting the second flaw type **26** is shown. The probe **42** generates a longitudinal wave (i.e. L-wave) that extends downward toward the disc axis **12** and through the circumferential portion **14** of the disc **10**. In the second scanning technique **56**, the probe **42** generates an ultrasound beam that sweeps in a direction substantially parallel to the disc axis **12** to form a beam sweep **58** that is aligned with the disc axis **12**. The **42** probe is also moved in the axial direction **46** such that the aligned beam sweep **58** moves through the disc width **48** between the first **50** and second **52** sidewalls of the circumferential portion **14**. Further, the disc **10** simultaneously rotates in a selected direction **54** (i.e. either a clockwise or counterclockwise direction) about the disc axis **12** as the probe **42** is moved in the axial direction **48** to form an L-wave axial scan. In the first **40** and second **52** scanning techniques, the ultrasound beam may sweep an angle that ranges between ± 40 degrees in increments of 4 degrees, for example.

[0026] Referring to FIG. 7, a third ultrasound scanning technique **60** for detecting the third flaw type **28** is shown. The probe **42** generates a shear wave (i.e. S-wave) that extends in a circumferential direction and through the circumferential portion **14** of the disc **10**. In the third scanning technique **60**, the probe **42** generates an ultrasound beam that sweeps in a direction substantially perpendicular to the disc axis **12** to form a beam sweep **62** that is transverse to the disc axis **12**. The probe **42** is also moved in the axial direction **46** such that the transverse beam sweep **62** moves through the disc width **48** between first **50** and second **52** sidewalls of the circumferential portion **14**. Further, the disc **10** simultaneously rotates in a selected direction **54** (i.e. either a clockwise or counterclockwise direction) about the disc axis **12** as the probe **42** is moved in the axial direction **48** to form an S-wave tangential scan. In this embodiment, the sweep angle depends on the outer diameter and the width of the disc but may vary from approximately 35 degrees to a maximum of approximately 89 degrees. The probe **42** used in the first **40** and second **56** scanning techniques may be a phased array probe operating at a frequency of 5 MHz such as those sold by Imasonic. Probe **42** used in the third scanning technique **60** may be a phased array probe operating at a frequency of 4 MHz such as that sold by Olympus NDT.

[0027] The first **40**, second **56** and third **60** scanning techniques provide information that is used to generate a visual representation of a flaw indication, or more than one flaw indication, that may exist in the weld buildup **20**. In particular, each flaw indication may correspond to a single flaw or a cluster of flaws. A known flaw sizing method such as a distance-gain-size (i.e. DGS) method is used to determine whether a detected flaw indication exceeds a predetermined

size threshold. If the threshold is met, a probe having a higher resolution is then used in order to characterize the flaw as a single flaw or a cluster of flaws, for example. In an embodiment, a phased array probe that operates at a frequency of 10 MHz, such as that sold by Imasonic, may be used in order to provide greater resolution.

[0028] The weld buildup **20** may have different configurations based on the amount of weld material that is used. Referring to FIG. **8**, a side view of the disc **10** is shown. An outer diameter **64** of the disc **10** may be between approximately 304.8 mm to 3048 mm and a disc width **48** (see FIG. **5**) may be between approximately 25 mm to 330 mm due to a weld buildup. Further, a maximum thickness of the weld buildup **20** on disc **10** is approximately 127 mm. A scan plan is used to provide a methodology for conducting ultrasound scanning of the disc **10**. The scan plan includes the calculation of a distance (i.e. a sound path) from the probe **42** to a flaw **66** given by the following equation

$$s = \frac{1}{2}(OD \cdot \cos(\alpha) - \sqrt{ID^2 - OD^2 \cdot \sin^2(\alpha)}) \quad (1)$$

where s is the sound path, OD is the outer diameter **64**, ID is an inner diameter **68** of the disc **10** and α is an angle between a path **70** of an ultrasound beam emitted by the probe **42** and an outer radius **72** of the disc **10**. The sound path provides information to an operator of ultrasound equipment as to where (in terms of sound path or time of flight) to expect a reflection from a flaw. This enables adjustment of the sound path by the operator so as to able receive a reflection from a flaw. Further, the sound path equation enables determination of the beam angles needed to detect the first **24**, second **26** and third **28** flaw types.

[0029] Further, a depth of a flaw may be determined by the following equation:

$$d = \frac{1}{2}(OD - \sqrt{OD^2 + 4 \cdot s^2 - 4 \cdot OD \cdot s \cdot \cos(\alpha)}) \quad (2)$$

where d is a distance between an outer surface **74** of the disc **10** and the flaw **66** (i.e. flaw depth), OD is the outer diameter **64**, ID is the inner diameter **68**. α is the angle between the path **70** of the ultrasound beam emitted by probe **42** and the outer radius **72** and s is the sound path calculated in equation (1). It is noted that the current invention is applicable to weld buildups formed in other areas of a turbine such as in shaft coupling areas wherein a disc is attached to a rotor shaft.

[0030] Referring to FIG. **9**, an ultrasound inspection system **76** in accordance with the present invention is shown. The system **76** is used to scan the weld buildup **20** formed the disc **10** (see FIG. **1**). In FIG. **9**, a plurality of different size discs **10** is shown with turbine blades **78** installed. The system **76** includes a vertical stand **78** and a horizontal arm **80** that extends toward a disc **10**. An end **82** of the arm **80** includes a holder **84** for holding the probe **42**. The arm **80** is moveable in vertical **86** and horizontal **88** directions relative to the stand **78** to enable placement of the probe **42** in a position that is suitable for performing the first **40**, second **56** and third **60** scanning techniques. The system **76** also includes an ultrasonic inspection analyzer **100** that is communicatively coupled to the probe **42** by known means such as cables. Ultrasound scanning data obtained by the probe **42** is routed to the analyzer **100**. The analyzer **100** may include a general purpose computer **90** having software for controlling a controller **92** that is used to generate the ultrasound scans. During scanning, the probe **42** is stationary and the disc **10** rotates relative to the probe **42**. Alternatively, the disc **10** is stationary

and the probe **42** is configured to move around the disc **10** circumference during scanning.

[0031] The analyzer **100** may be a dedicated electronic device, such as a DYNARAY® Phased Array instrument from Zetec, Inc. of Snoquahnie, Wash., USA and/or the computer **90** and controller **92**. Either type device preferably has a processor **102** including software instruction modules **104** stored in memory **106** that when executed by the processor **102** correlate scanned waveform data sets with position and size of flaws within the weld buildup **20** by means of DGS correlation methods. The analyzer **100** utilizes data acquisition and visualization software such as UltraVision® 3 data acquisition and visualization software supplied by Zetec, Inc. Flaw or discontinuity information is available for operator inspection at human machine interface **108** that may include any combination of visual display, touch screen, smart tablet, smart phone, keypad or keyboard, mouse or other known pointing device.

[0032] It is also to be understood that the present invention analyzer **100** may be implemented in various forms of hardware, software, firmware, special purpose processors, or a combination thereof. Preferably, as noted above, the present invention is implemented in software as a program tangibly embodied on a program storage device. The program may be uploaded to, and executed by, a machine comprising any suitable architecture. Preferably, the machine is implemented on a computer platform having hardware such as one or more central processing units (CPU), a random access memory (RAM), and input/output (I/O) interface(s). The computer platform also includes an operating system and microinstruction code. The various processes and functions described herein may either be part of the microinstruction code or part of the program (or combination thereof) which is executed via the operating system. In addition, various other peripheral devices may be connected to the computer platform such as an additional data storage device and a printing device, or as also noted above a human machine interface. Further, the entire disclosure of U.S. Pat. No. 8,839,673, issued on Sep. 23, 2014 and entitled SYSTEM AND METHOD FOR INDUSTRIAL ULTRASONIC INSPECTION USING PHASED ARRAY PROBE AND DISTANCE-GAIN-SIZE FLAW SIZING, is hereby incorporated by reference in its entirety.

[0033] Referring to FIG. **10**, the holder **84** for holding the probe **42** is shown. The holder **84** includes a channel **94** that extends through an outer surface **96** of the holder **84**. The probe **42** is located in the channel **94** such that a surface **98** of the probe **42** is exposed.

[0034] While particular embodiments of the present invention have been illustrated and described, it would be obvious to those skilled in the art that various other changes and modifications can be made without departing from the spirit and scope of the invention. It is therefore intended to cover in the appended claims all such changes and modifications that are within the scope of this invention.

What is claimed is:

1. A method for scanning a weld buildup formed on a circumferential portion of a disc for a turbine wherein the disc is oriented about a disc axis, comprising:

- providing an ultrasound probe for generating at least one ultrasound beam sweep;
- scanning the circumferential portion with a first beam sweep oriented in a first beam orientation to detect a first flaw type in the weld buildup;

scanning the circumferential portion with a second beam sweep oriented in a second beam orientation to detect a second flaw type in the weld buildup;
 scanning the circumferential portion with a third beam sweep oriented in a third beam orientation to detect a third flaw type in the weld buildup;
 rotating the disc about the disc axis during scanning of the circumferential portion; and
 moving the first, second and third beam sweeps in a direction parallel to the disc axis during scanning of the circumferential portion.

2. The method according to claim 1, wherein the first beam orientation is transverse to the disc axis and directed toward the disc axis.

3. The method according to claim 1, wherein the second beam orientation is aligned with the disc axis and directed toward the disc axis.

4. The method according to claim 1, wherein the third beam orientation is transverse to the disc axis and directed in a tangential direction relative to the circumferential portion.

5. The method according to claim 1, wherein the first flaw type is oriented about an axial axis and has an inclination angle of approximately ±45 degrees relative to a horizontal axis.

6. The method according to claim 1, wherein the second flaw type is oriented about a circumferential axis and has an inclination angle of approximately ±45 degrees relative to a horizontal axis.

7. The method according to claim 1, wherein the third flaw type is oriented about an axial axis and has an inclination angle of approximately ±15 degrees relative to a vertical axis.

8. The method according to claim 1, wherein the first and second beam sweeps include a longitudinal wave.

9. The method according to claim 1, wherein the third beam sweep includes a shear wave.

10. The method according to claim 1, wherein an angle of the first and second beam sweeps is approximately ±40 degrees.

11. The method according to claim 1, wherein an angle of the third beam sweep is approximately 35 degrees to 89 degrees.

12. A method for scanning a weld buildup formed on a circumferential portion of a disc for a turbine wherein the disc is oriented about a disc axis, comprising:

- providing an ultrasound probe for generating at least one ultrasound beam sweep;
- scanning the circumferential portion with a first beam sweep oriented in a first direction toward a disc axis to detect a first flaw type in the weld buildup;
- scanning the circumferential portion with a second beam sweep oriented in a second beam orientation transverse to the first beam sweep and toward the disc axis to detect a second flaw type in the weld buildup;
- scanning the circumferential portion with a third beam sweep oriented in a third direction tangential to the circumferential portion to detect a third flaw type in the weld buildup;
- rotating the disc about the disc axis during scanning of the circumferential portion; and

moving the first, second and third beam sweeps in a direction parallel to the disc axis during scanning of the circumferential portion.

13. The method according to claim 12, wherein the first beam sweep is transverse to the disc axis.

14. The method according to claim 12, wherein the second beam sweep is aligned with the disc axis.

15. The method according to claim 12, wherein the third beam sweep is transverse to the disc axis.

16. The method according to claim 12, wherein the first flaw type is oriented about an axial axis and has an inclination angle of approximately ±45 degrees relative to a horizontal axis.

17. The method according to claim 12, wherein the second flaw type is oriented about a circumferential axis and has an inclination angle of approximately ±45 degrees relative to a horizontal axis.

18. The method according to claim 12, wherein the third flaw type is oriented about an axial axis and has an inclination angle of approximately ±15 degrees relative to a vertical axis.

19. A method for scanning a weld buildup formed on a circumferential portion of a disc for a turbine wherein the disc is oriented about a disc axis, comprising:

- providing an ultrasound probe for generating at least one ultrasound beam sweep;
- scanning the circumferential portion with a first beam sweep oriented in a first beam orientation to detect a first flaw type in the weld buildup;
- scanning the circumferential portion with a second beam sweep oriented in a second beam orientation to detect a second flaw type in the weld buildup;
- scanning the circumferential portion with a third beam sweep oriented in a third beam orientation to detect a third flaw type in the weld buildup;
- rotating the disc about the disc axis during scanning of the circumferential portion;
- moving the first, second and third beam sweeps in a direction parallel to the disc axis during scanning of the circumferential portion;
- calculating a sound path between the probe and a flaw; and
- calculating a depth of the flaw.

20. The method according to claim 19, wherein the sound path is calculated by:

$$s = \frac{1}{2}(OD \cdot \cos(\alpha) - \sqrt{ID^2 - OD^2 \cdot \sin^2(\alpha)})$$

where s is the sound path, OD is the outer diameter of the disc, ID is an inner diameter of the disc and α is an angle between a path of an ultrasound beam emitted by the probe and an outer radius of the disc.

21. The method according to claim 19, wherein the depth is calculated by:

$$d = \frac{1}{2}(OD - \sqrt{OD^2 + 4 \cdot s^2 - 4 \cdot OD \cdot s \cdot \cos(\alpha)})$$

where d is a distance between an outer surface of the disc and a flaw 66, OD is an outer diameter of the disc, ID is an inner diameter of the disc and α is an angle between a path of an ultrasound beam emitted by the probe and an outer radius of the disc.

* * * * *