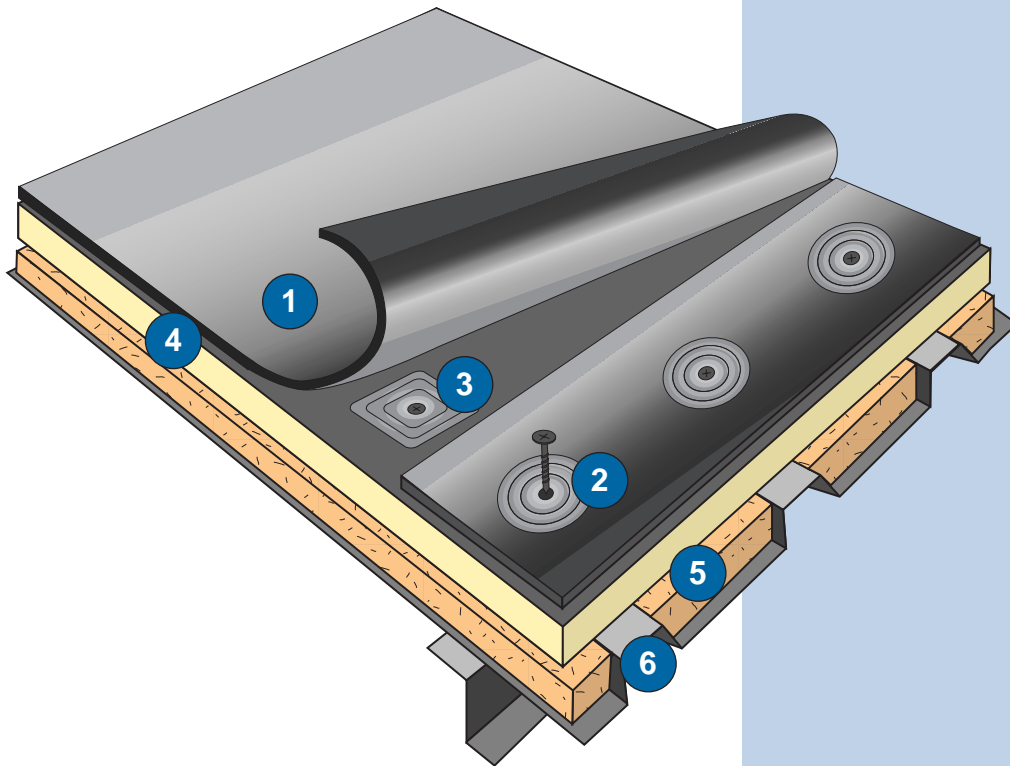




Metal Retrofit System



Typical Re-roofing Application

- 1 Sure-Seal 45-mil Reinforced EPDM Membrane
- 2 Carlisle HP Purlin Fasteners
- 3 HP Fasteners
- 4 Sure-Seal Insulation
- 5 Acceptable Insulation
- 6 Existing Metal Roof

Carlisle's Metal Retrofit System can be installed over existing standing seam, flat seam or corrugated metal. These roofing options provide a lightweight solution to leaking metal roofs.

THREE SYSTEM OPTIONS EXIST

	NON-PENETRATING FLEECEBACK	FULLY ADHERED EPDM	MECHANICALLY FASTENED REINFORCED EPDM
FLUTES OF EXISTING METAL ROOF ARE FILLED WITH AN ACCEPTABLE INSULATION			
1 HOW IS EPS ATTACHED?	INSULATION IS SET INTO FAST ADHESIVE	INSULATION IS LOOSE-LAID INTO FLUTES	INSULATION IS LOOSE-LAID INTO FLUTES
SURE-SEAL INSULATION IS THEN LAID OVER EXISTING ROOF			
2 INSULATION ATTACHMENT METHOD	SET INTO FAST ADHESIVE	HP OR HP-X FASTENERS SECURE INSULATION TO EXISTING METAL	INSULATION IS MECHANICALLY FASTENED INTO EXISTING METAL WITH HP FASTENERS
3 MEMBRANE ATTACHMENT METHOD	FLEECEBACK MEMBRANE IS SET INTO FAST ADHESIVE AND SPLICES ARE COMPLETED	BONDING ADHESIVE IS UTILIZED TO ADHERE EPDM MEMBRANE TO THE INSULATION	HP PURLINS ARE USED TO FASTEN REINFORCED EPDM MEMBRANE INTO EXISTING PURLINS

For current Code Approvals and Warranties, visit Carlisle's website, or contact the Design Analyst located in your regional office.

YOUR SINGLE-PLY SOLUTION™

Carlisle SynTec Incorporated
 P.O. Box 7000 • Carlisle, PA 17013
 Phone (toll free): 1-800-4-SYNTEC
 Fax: 717-245-7143
 market@syntec.carlisle.com

International
 Canada Phone: 905-820-7776
 Western Europe Phone: 32-2-732-2420
 Asia/Pacific Phone: 852-2024-9435
 England Phone: 44-1-235-848-000
 Russia Phone: 7-095-200-2540



Carlisle SynTec Incorporated

(800) 4-SYNTEC • www.carlisle-syntec.com



Metal Retrofit System

THE SURE-SEAL METAL RETROFIT ROOFING SYSTEM IS DESIGNED FOR RETROFITTING EXISTING STANDING SEAM, FLAT SEAM OR CORRUGATED METAL ROOFS.

PROJECT INFORMATION:

This Metal Retrofit Roofing System is being installed for the project named below:

job name: _____

city: _____

state: _____

The Carlisle Authorized Roofing Contractor is:

company name: _____

address: _____

city: _____

state: _____

zip: _____

phone: _____

INSTALLATION.

Metal Retrofit Mechanically-Fastened Roofing System

An acceptable insulation is used to fill between standing seams. A membrane underlayment is installed and secured to the metal roof with Carlisle HP Fasteners and Insulation Plates.

Membrane securement is achieved by attaching reinforced EPDM membrane, RUSS strips, positioned along the structural purlins. RUSS is attached to the purlins with Carlisle HP Purlin Fasteners and Locking Seam Plates. Adjoining membrane sheets are spliced together using Carlisle's SecurSeam technology or SecurTAPE.

Metal Retrofit Fully-Adhered Roofing System

Approved insulation is fastened with HP-X fasteners and Insulation Plates. Sure-Seal or Brite-Ply EPDM membrane is then adhered to the insulation with Sure-Seal Bonding Adhesive.

FleeceBACK Adhered Roofing System

Approved insulation is fastened with HP-X fasteners and Insulation Plates. Sure-Seal or Brite-Ply FleeceBACK membrane is adhered to the insulation with FAST Adhesive.

SURE-SEAL METAL RETROFIT SYSTEM STRENGTHS:

- Systems install quickly and easily over failing metal roofs
- Existing metal tear-off is typically unnecessary
- A specially-designed fastening system anchors into structural purlins (the strongest point of the roof)

YOUR SINGLE-PLY SOLUTION™

Carlisle, Sure-Seal, Brite-Ply, FleeceBACK, FAST, RUSS, and SecurTAPE are all trademarks of Carlisle SynTec Incorporated.

© 1999 Carlisle SynTec Incorporated
Printed In U.S.A.

REPRINT REQUEST CODE
855116 - "MR System Submittal Sheet"

- Metal Retrofit Systems cost less than complete metal roof replacement systems.
- Carlisle's Reinforced EPDM membrane is durable, exhibits puncture and tear resistance and has a 13-year field track record.

SYSTEM CODES.

- UL Class A, B and Universal Slope ratings are available.

For code specifics, refer to Carlisle's Code Approval Guide

QUALITY ASSURANCE.

Carlisle Authorized Roofing Contractors have received training to install Carlisle's Metal Retrofit Roofing Systems.

INSPECTION

Upon installation completion, and prior to the issuance of a membrane system warranty, an inspection will be conducted by a Carlisle Technical Representative.

WARRANTY

Consult your roofing contractor or Carlisle manufacturer's Representative/Distributor for associated warranty charges.

This system, properly installed and inspected on a commercial project may receive:

- A 5- or 10- year Membrane System Warranty; peak gust wind speed coverage up to 55 mph.
- A 10-year Total System or 15-year Golden Seal Warranty may be requested when all materials used for the roofing installation are manufactured or marketed by Carlisle. A maximum peak gust wind speed coverage of 55 miles per hour is standard.
- For more specifics or for International warranty programs, contact Carlisle.



Carlisle SynTec Incorporated

(800) 4-SYNTEC • www.carlisle-syntec.com