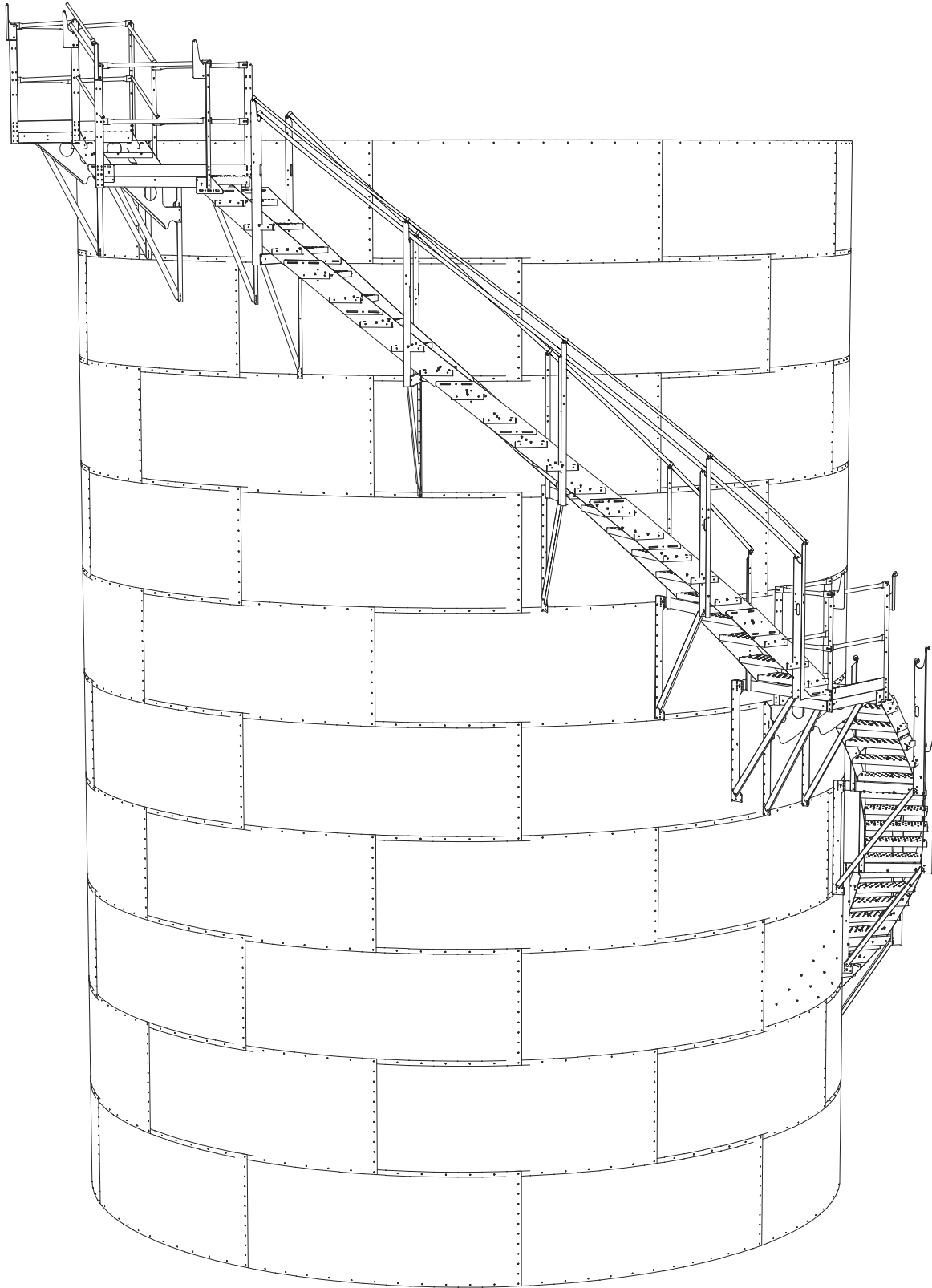


C-Series Sidewall Stairs

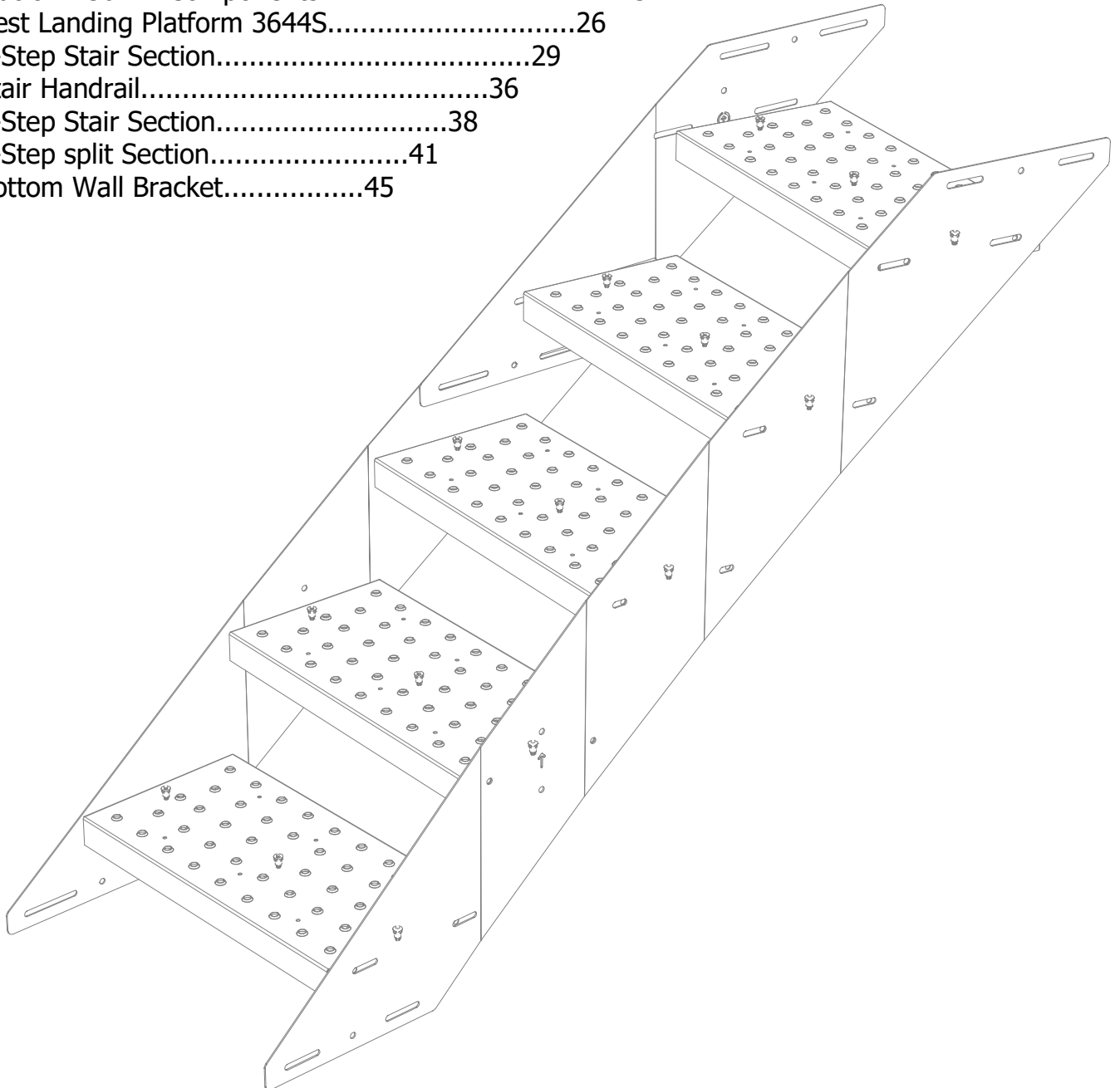
44" Commercial Duty Assembly Instructions & Parts Reference



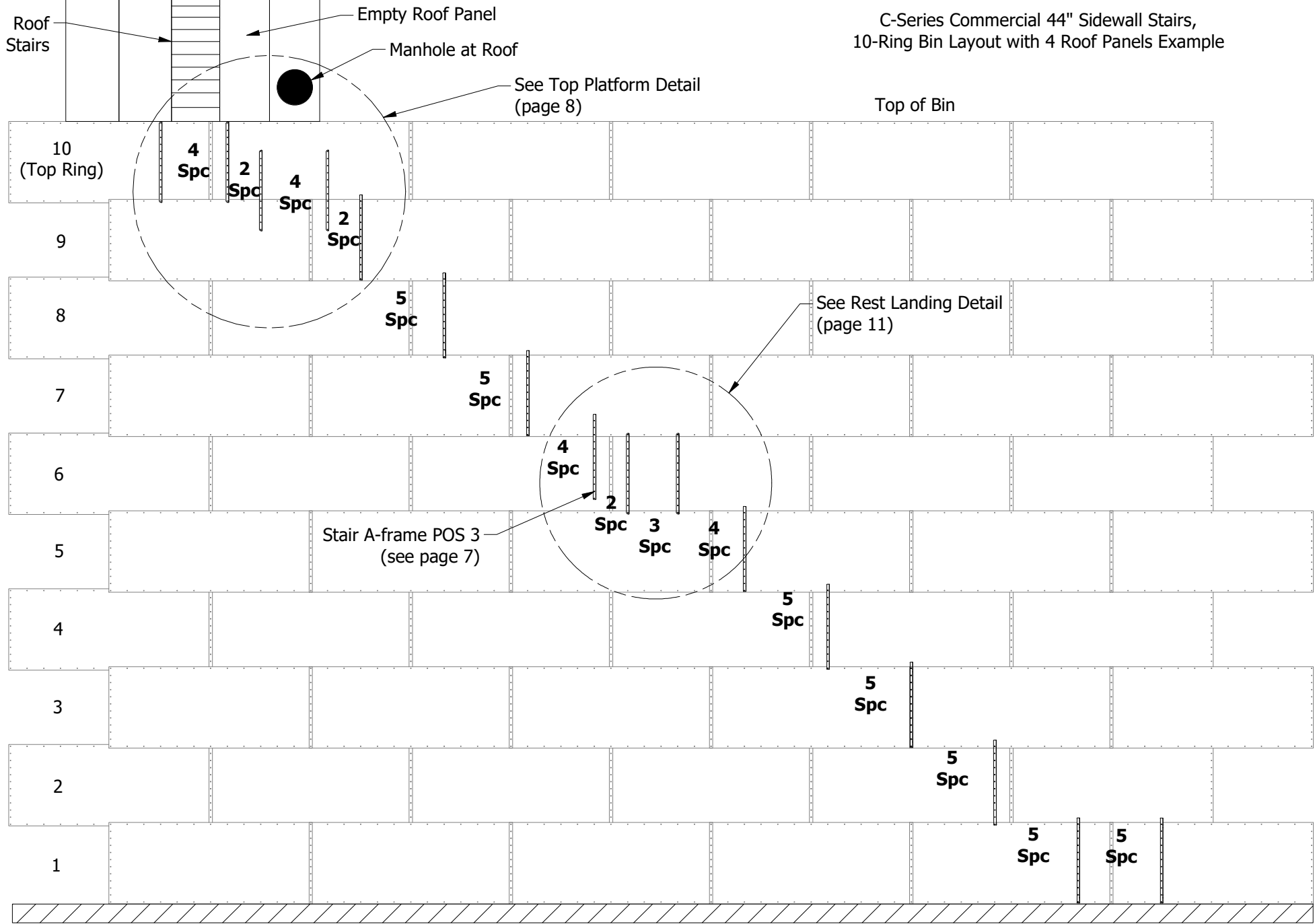
C-Series Sidewall Stairs

Document Guide

Wall Bracket Layouts.....	3
Position Guides.....	6
Eave Platform Layouts.....	8
Platform 3544L Components & Assembly.....	13
Platform Handrail.....	19
Platform 3644L Components.....	23
Rest Landing Platform 3644S.....	26
5-Step Stair Section.....	29
Stair Handrail.....	36
4-Step Stair Section.....	38
4-Step split Section.....	41
Bottom Wall Bracket.....	45



Updated April 2022



C-Series Commercial 44" Sidewall Stairs,
10-Ring Bin Layout with 4 Roof Panels Example

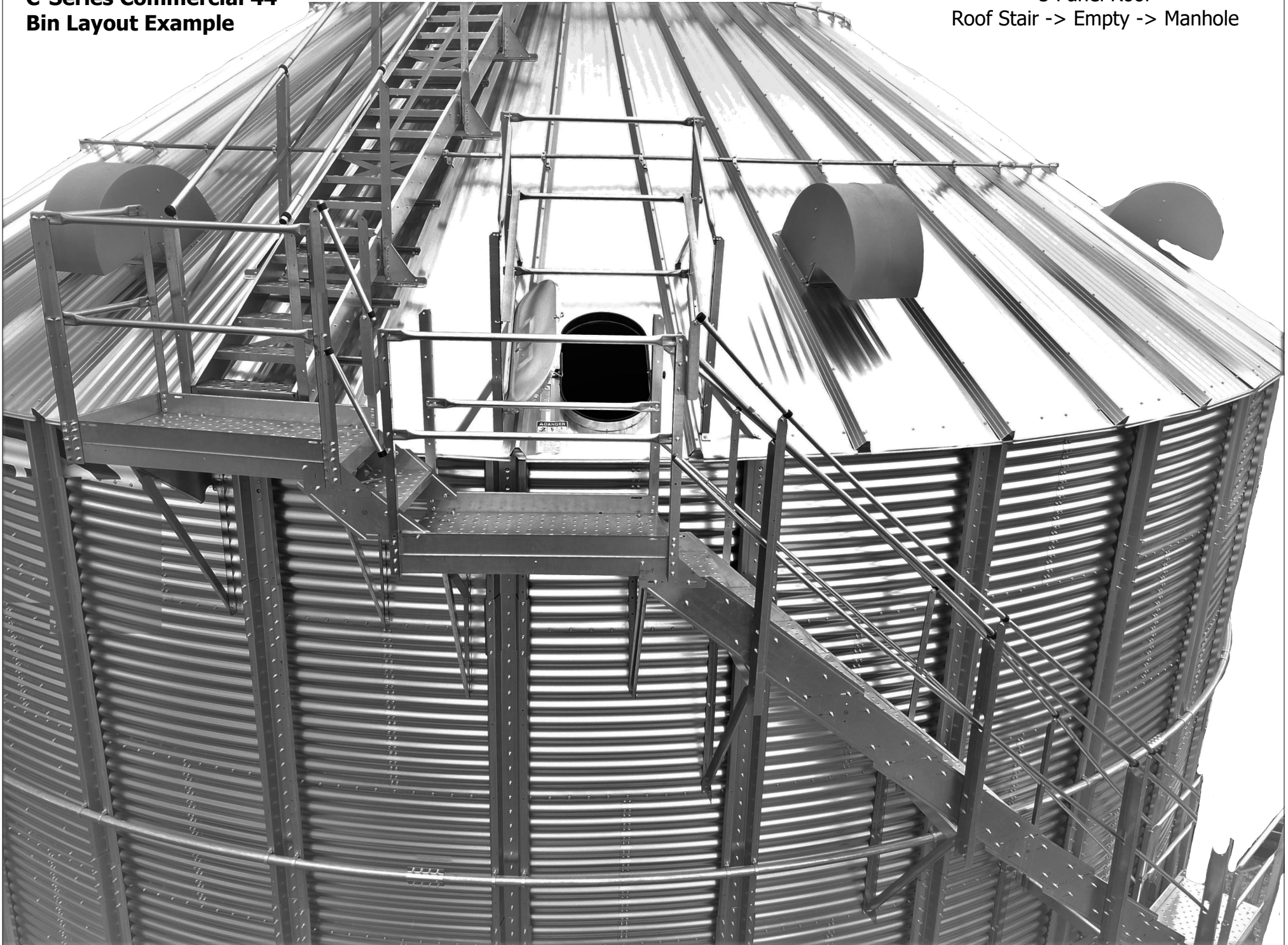
Overall Run Distance can be determined using this formula (single-punched bin sheets):

Bolt Spaces: $12 + (5 \times \text{ring count} - 1) + (3 \times \text{rings with landing}) = \text{Total Bolt Spaces}$

Bin sheets = Total bolt spaces/12

**C-Series Commercial 44"
Bin Layout Example**

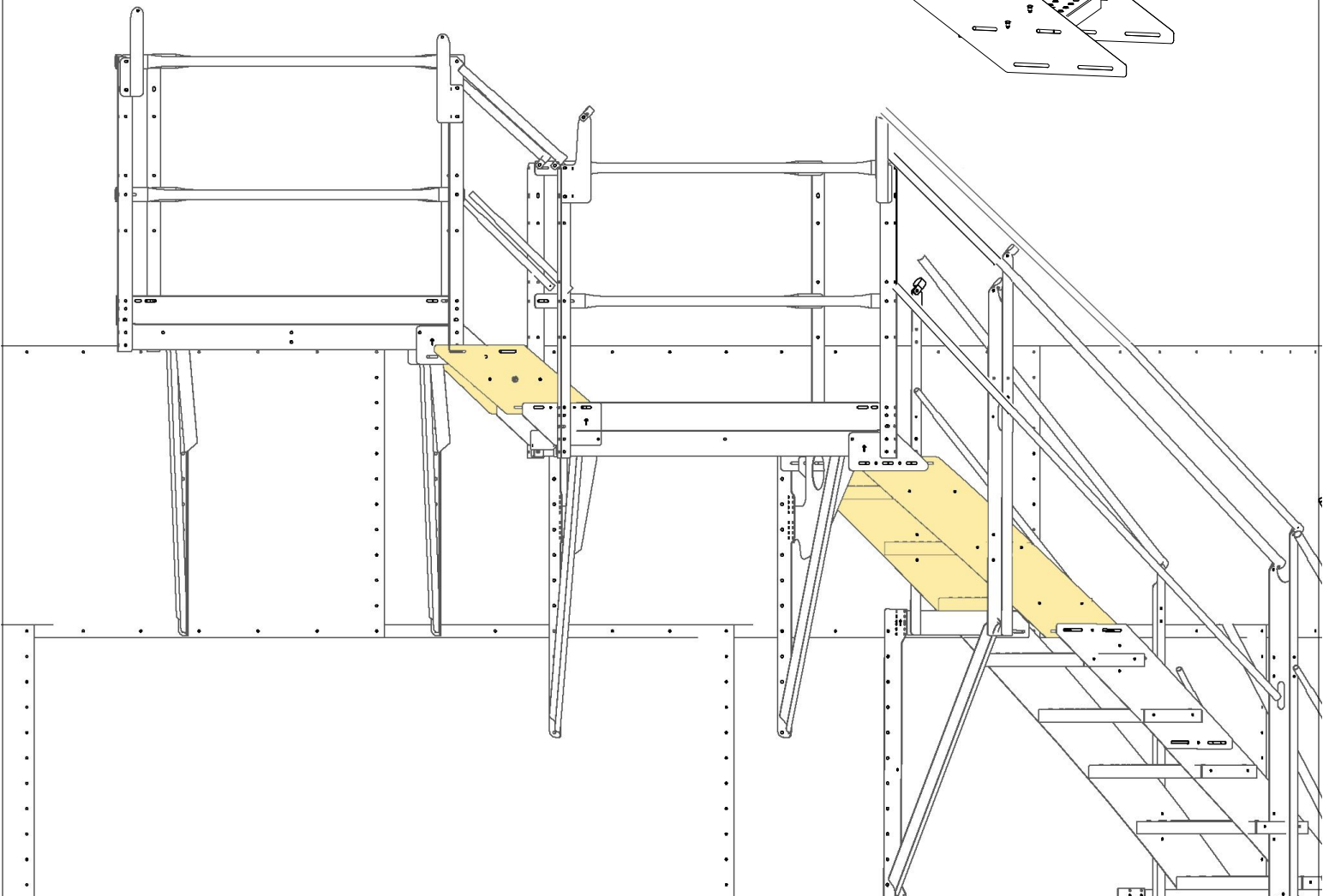
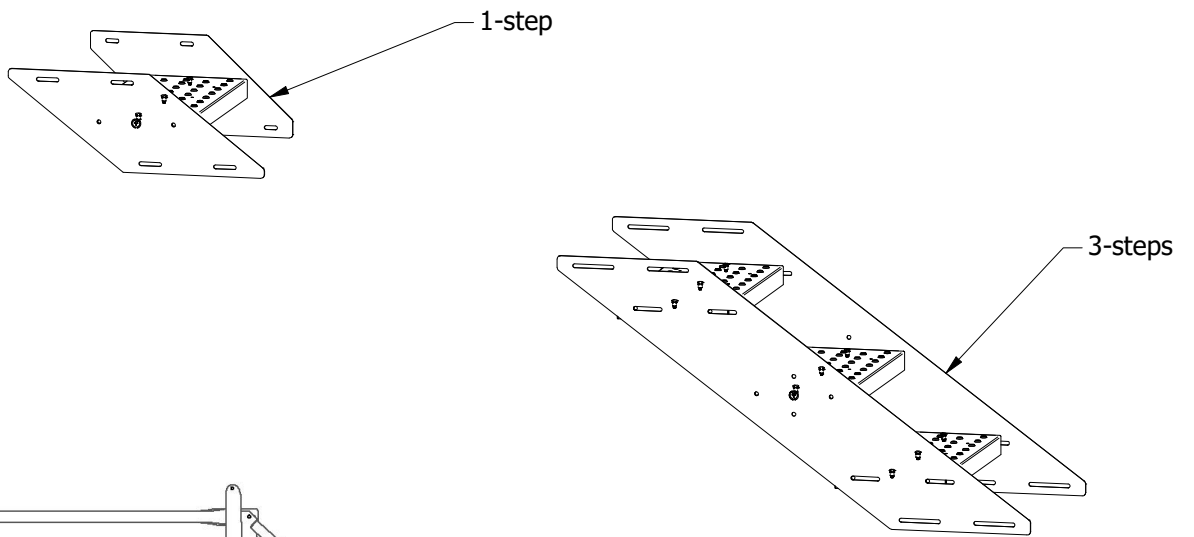
3 Panel Roof
Roof Stair -> Empty -> Manhole



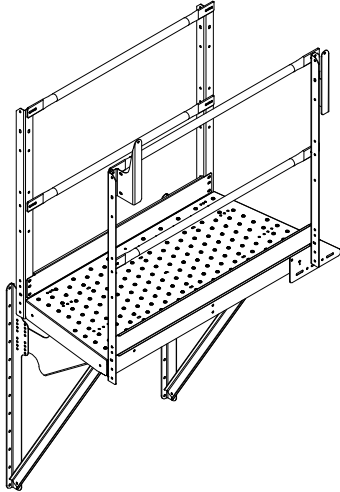
CC4400 C-Series 44" 4-step Split Platform Stair Section

Upper stair sections differ from rest of bin.

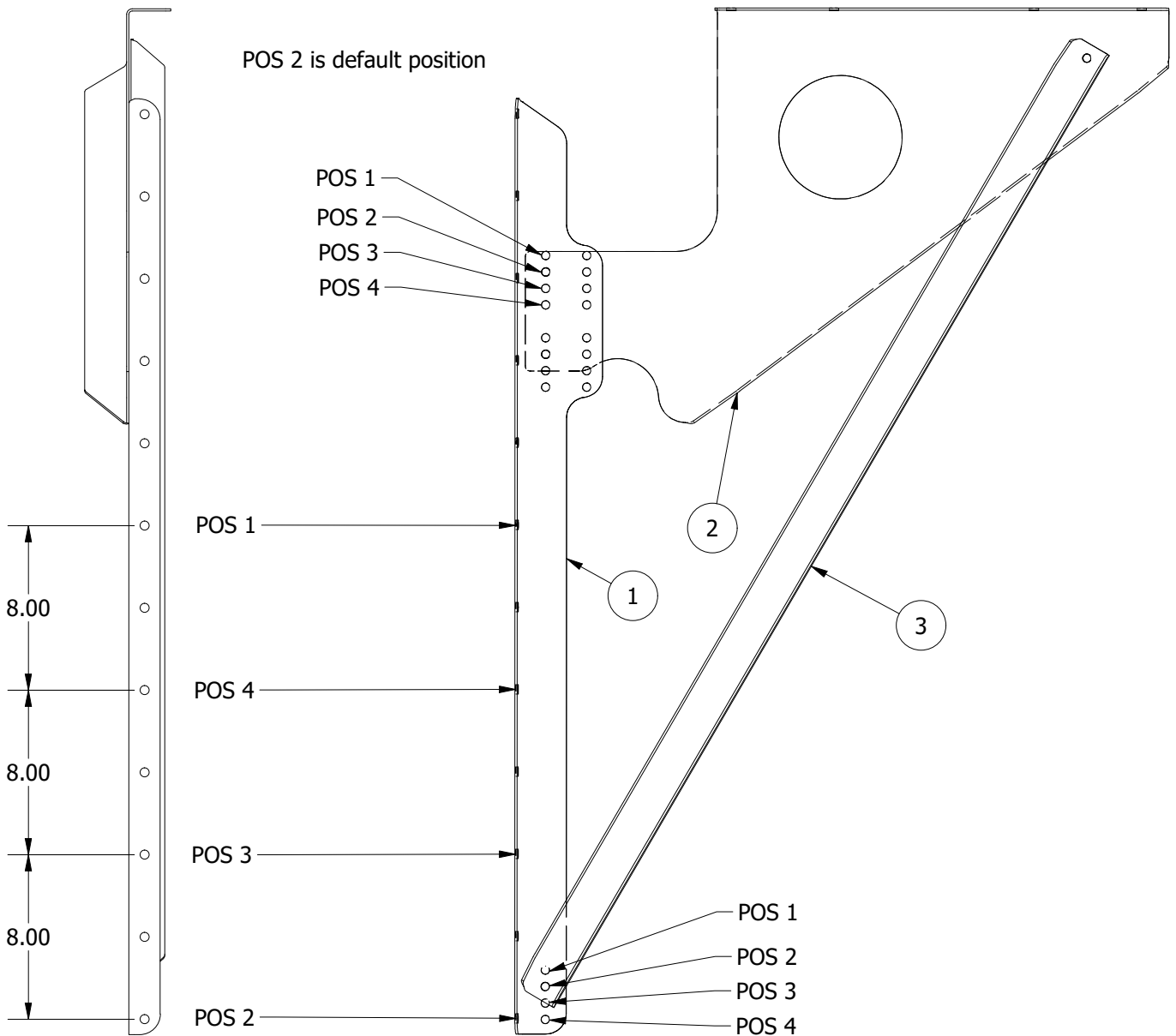
When using on the double eave high-low platforms;
the 1-step stair section is used as a step between the platforms,
the 3-step stair section is used below the lower platform as a starter to connect the 5-step sections.



Platform A-Frame 44" Position Guide

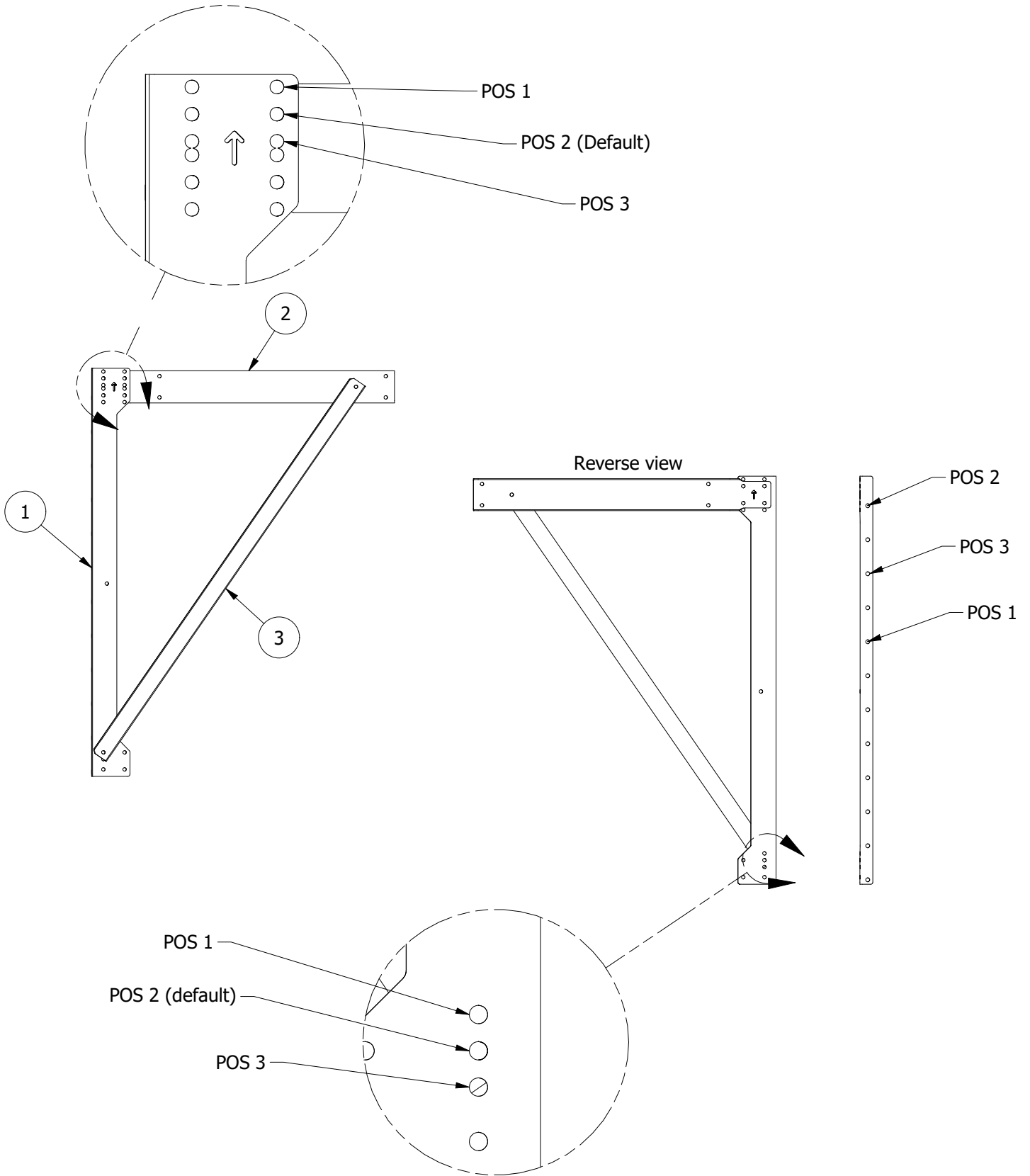


PARTS LIST			
ITEM	QTY	PART NUMBER	DESCRIPTION
1	1	CS-34401	Bracket, Wall, 44 Platform
2	1	CS-34402	Brace, Plate, Platform
3	1	CS-44002	Channel, Brace, 44



Stair A-Frame 44" Position Guide

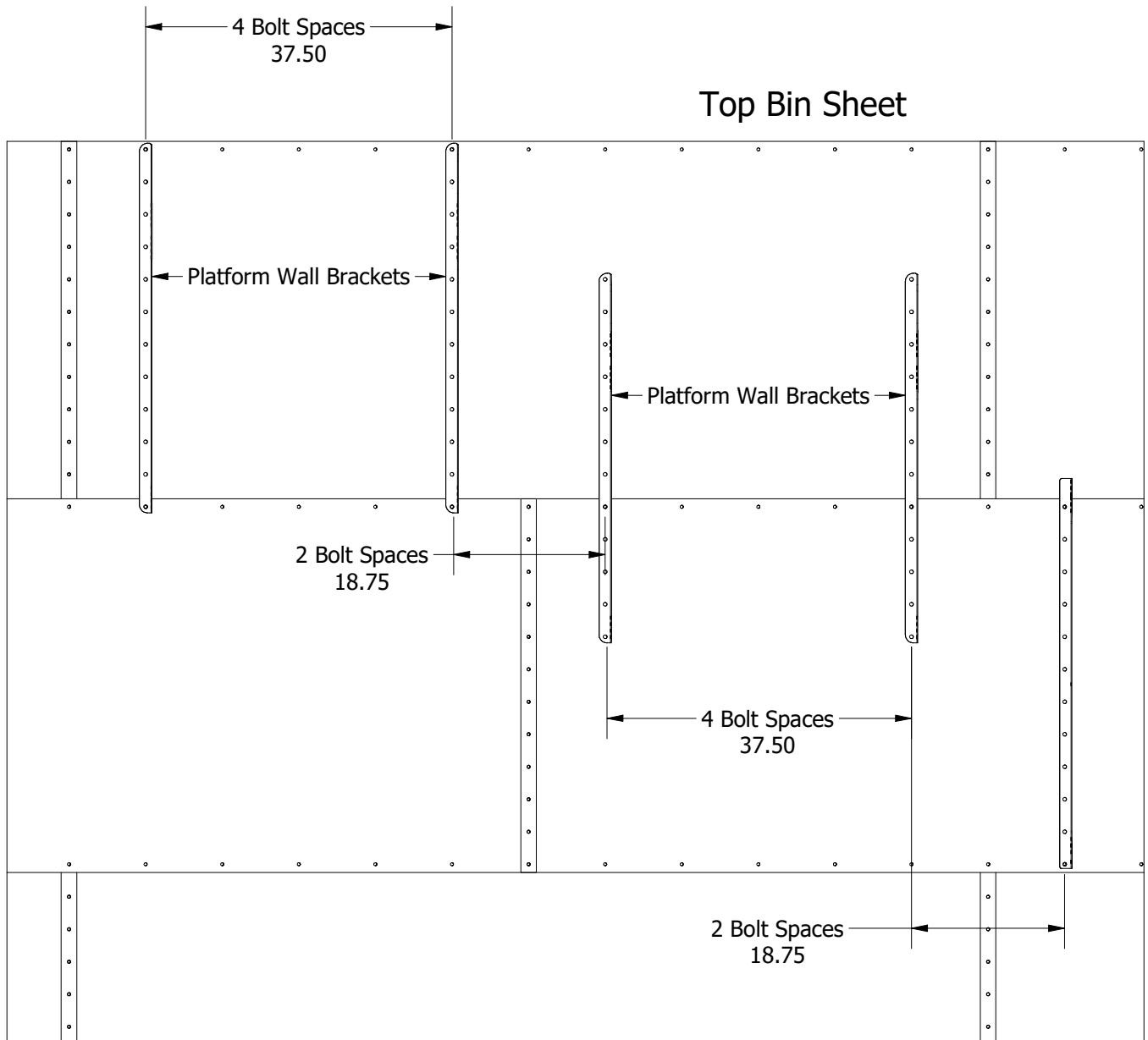
PARTS LIST			
ITEM	QTY	PART NUMBER	DESCRIPTION
1	1	CS-44001	Bracket, Wall, 44" Ring
2	1	CS-40002	Channel, Crossbar
3	1	CS-44002	Channel, Brace



Platform Wall Bracket Horizontal Bolt Spacing, C-Series Commercial 44" Long Platform

The horizontal spacing between the long eave platform wall brackets is 4 bolt spaces (37.50").

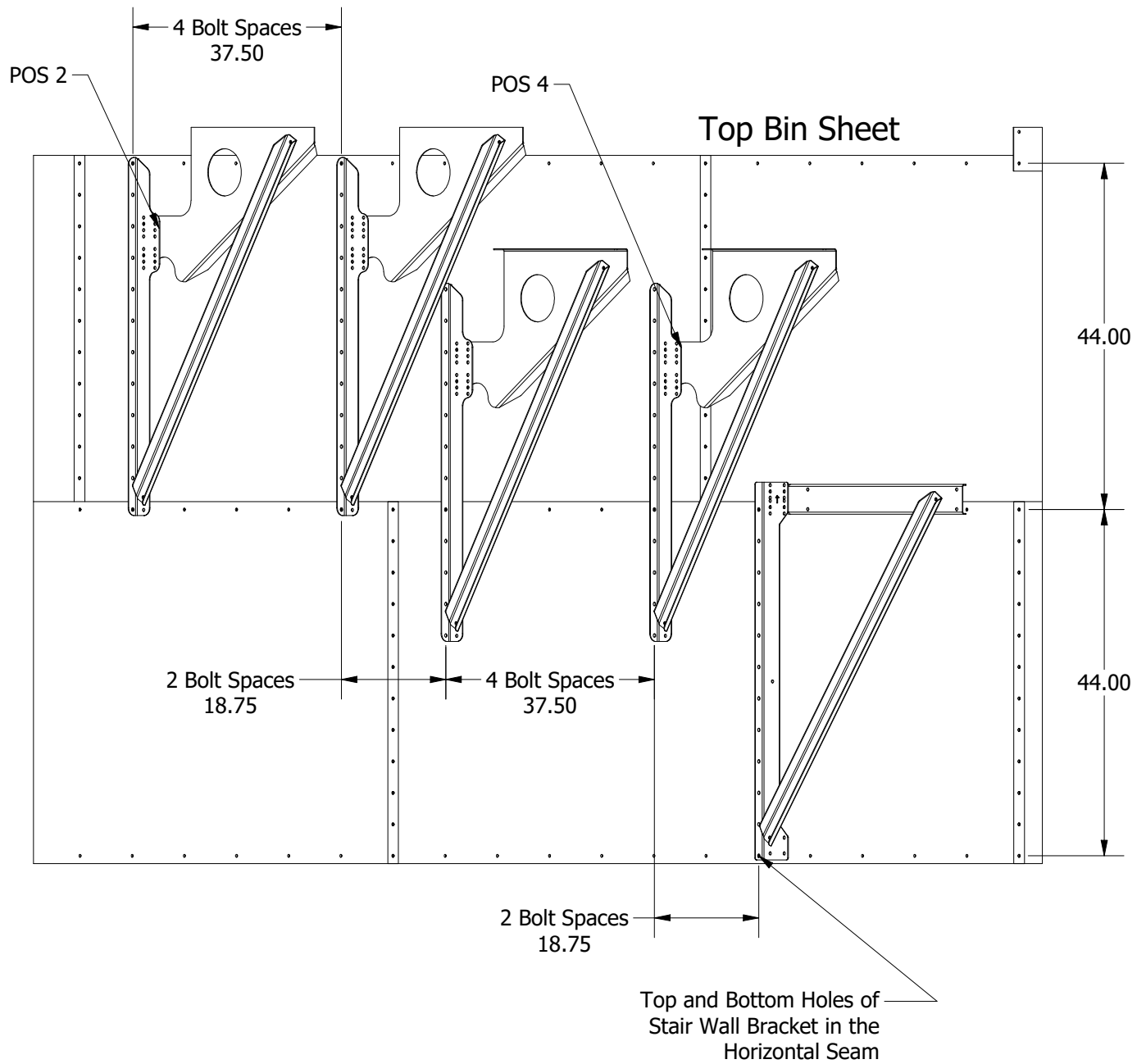
The horizontal spacing from the platform wall bracket to the 3-step stair wall bracket is 2 bolt spaces (18.75").



Platform Wall Bracket Horizontal Bolt Spacing, C-Series Commercial 44" Long Platforms

The horizontal spacing between the long eave platform wall brackets is 4 bolt spaces (37.50").

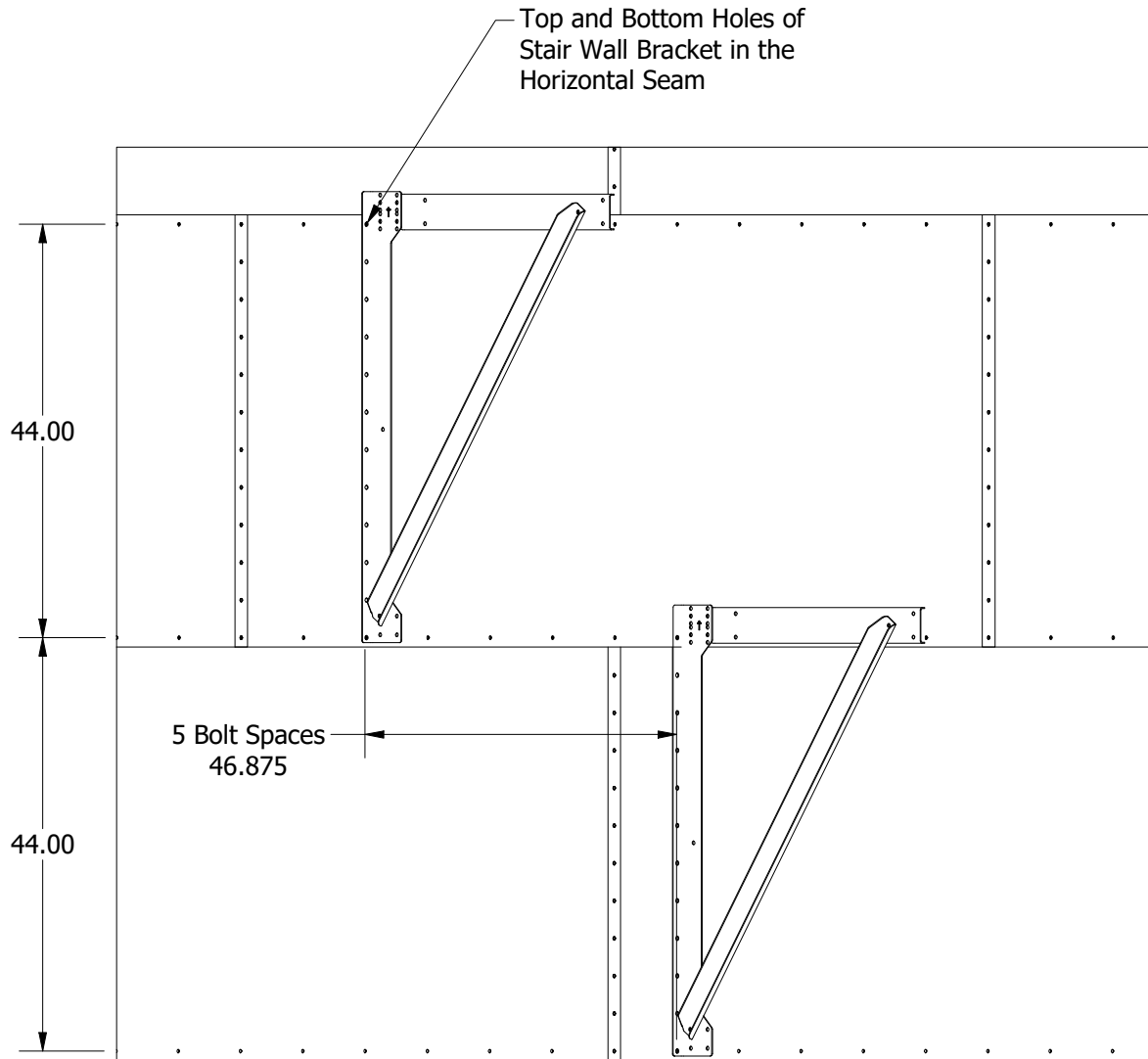
The horizontal spacing from the platform wall bracket to the 3-step stair wall bracket is 2 bolt spaces (18.75").



Eave Platform supports and first stair support shown

Stair Wall Bracket Horizontal Bolt Spacing, CC4400 C-Series 44" 5-Step Stair Section

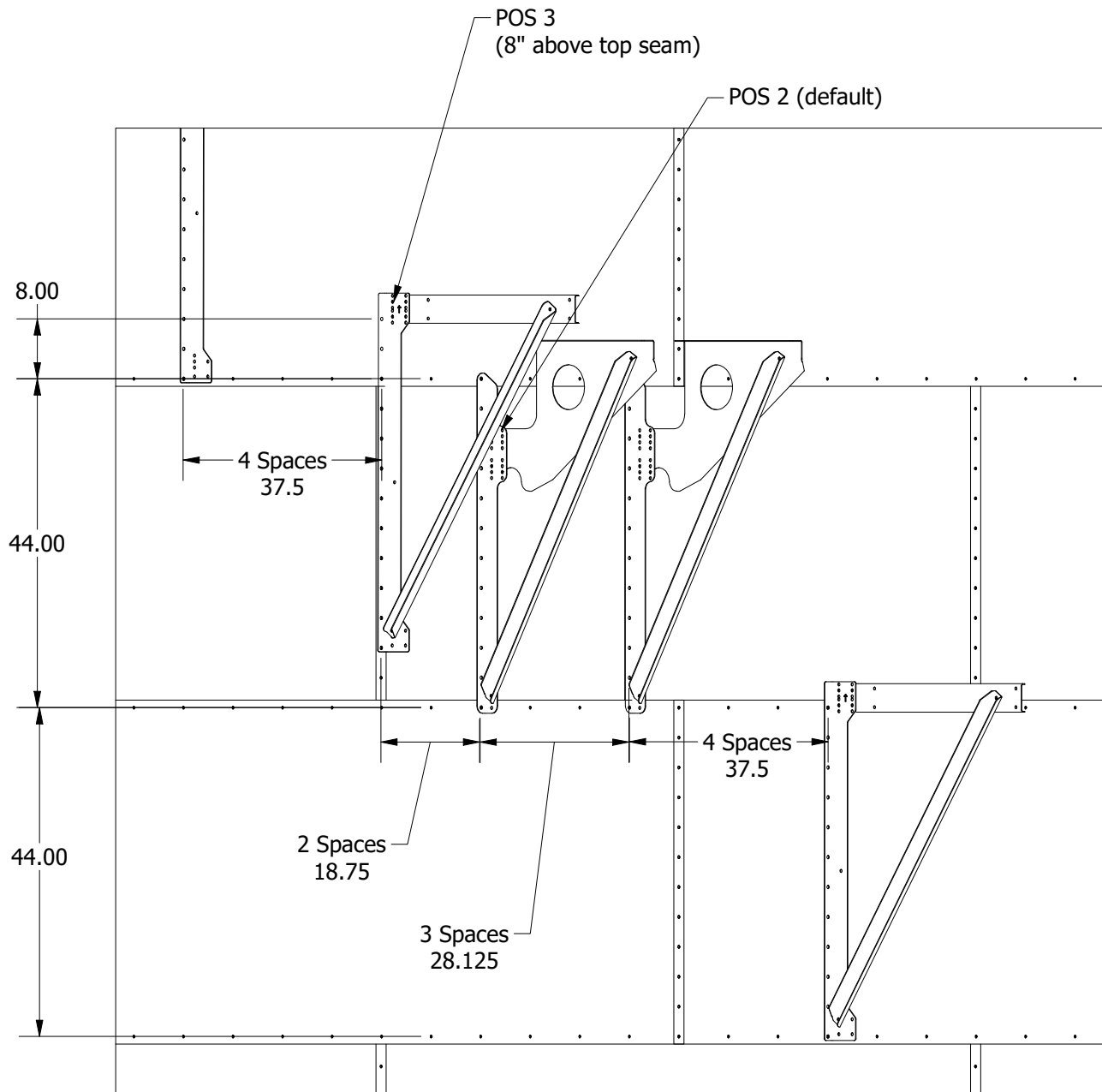
The horizontal spacing between the long eave platform wall brackets is 5 bolt spaces (46.875"), and is consistent the remainder of the way down the bin, unless using a rest landing.



Stair Bracket Horizontal Bolt Spacing, CC4400 C-Series 44" Short Rest Landing Platform

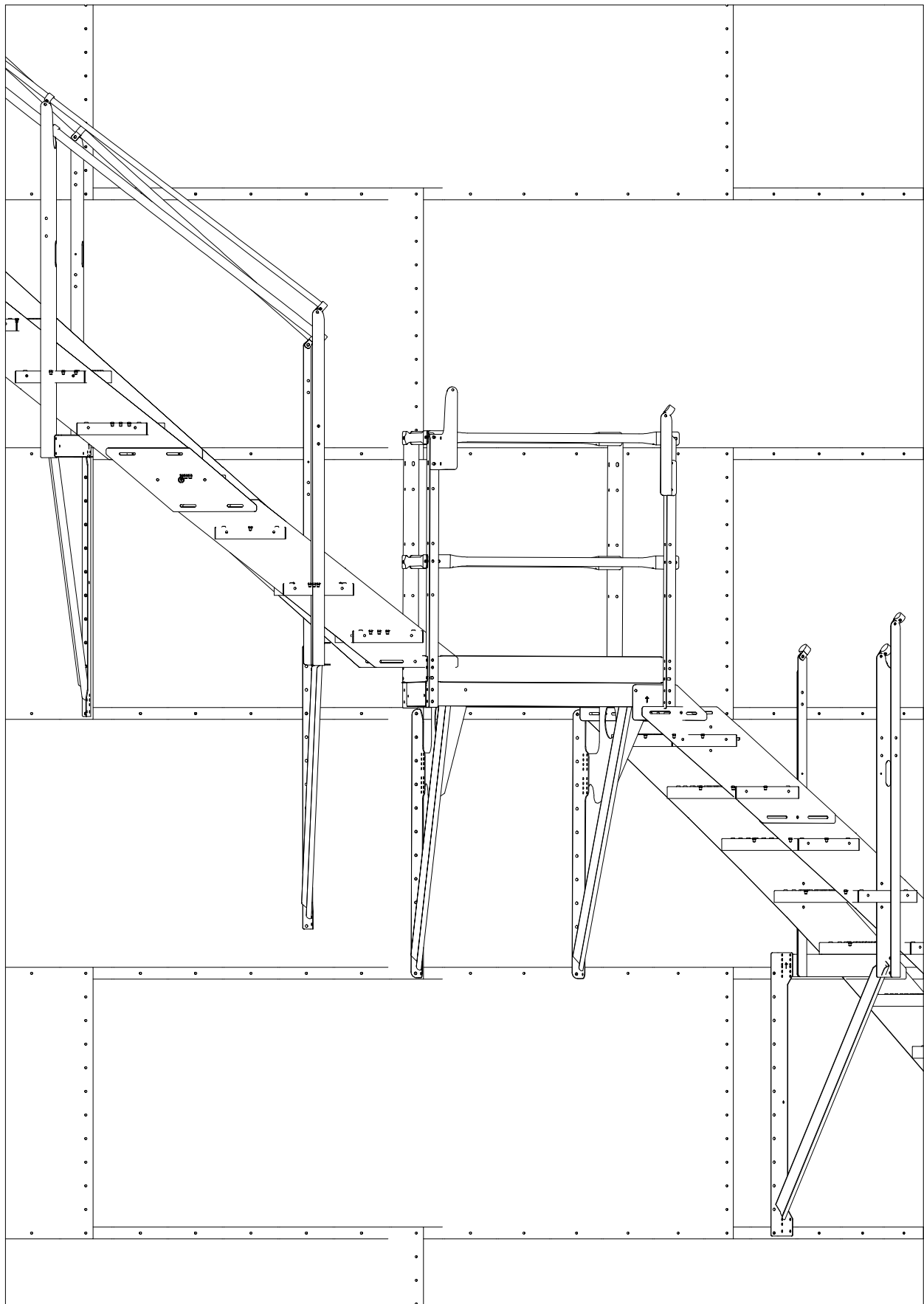
For the brackets supporting a rest landing CC3644S (shown below), there is a progression of 4 spaces, 2 spaces, 3 spaces, 4 spaces. The layout then returns to 5 bolt spaces between each wall bracket.

The 4-step A-frame should be assembled in Position 3 (see page 7)



Stair Bracket Horizontal Bolt Spacing, CC4400 C-Series 44" Short Rest Landing Platform

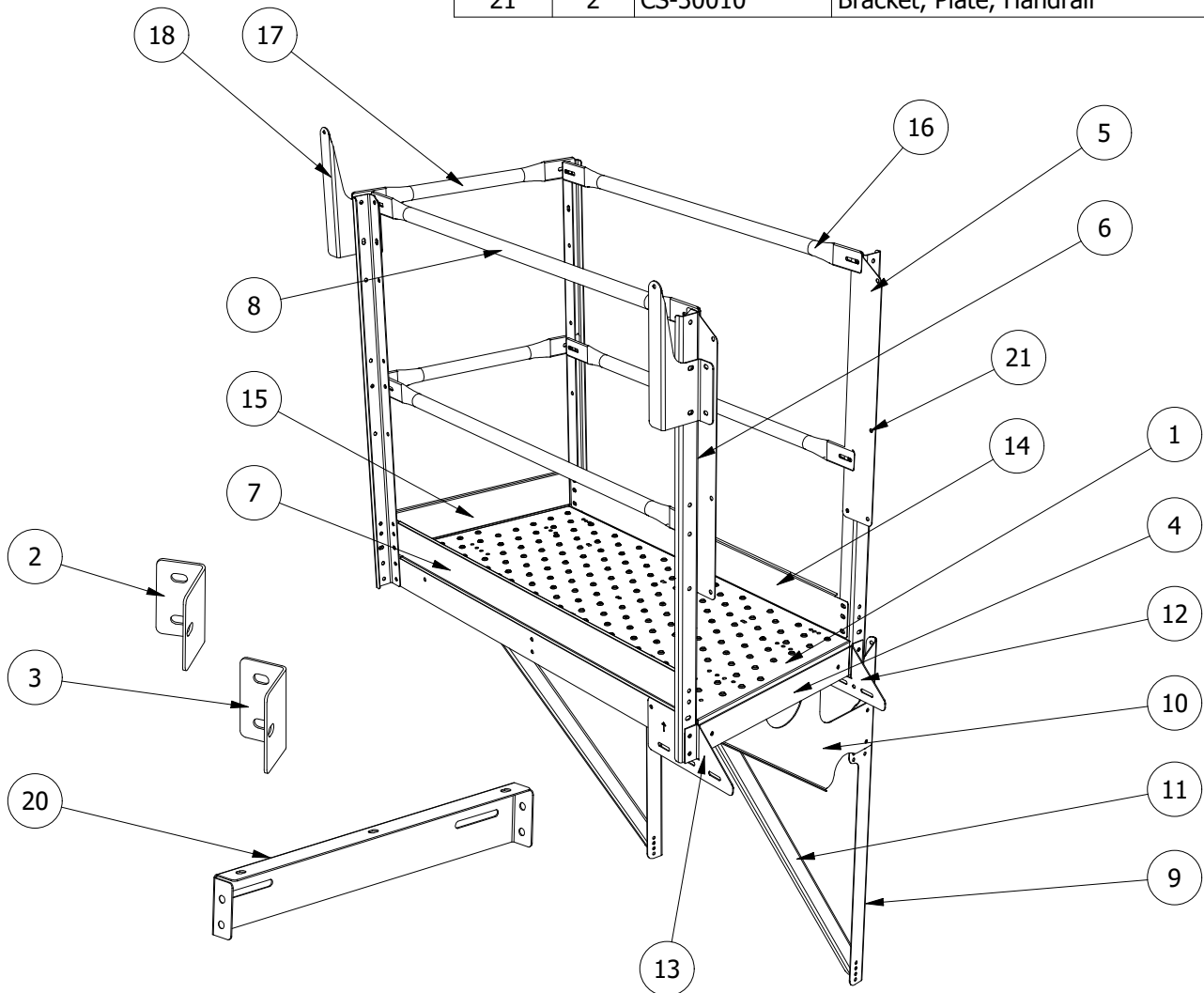
Built-out example, shows 4-2-3-4 spacing



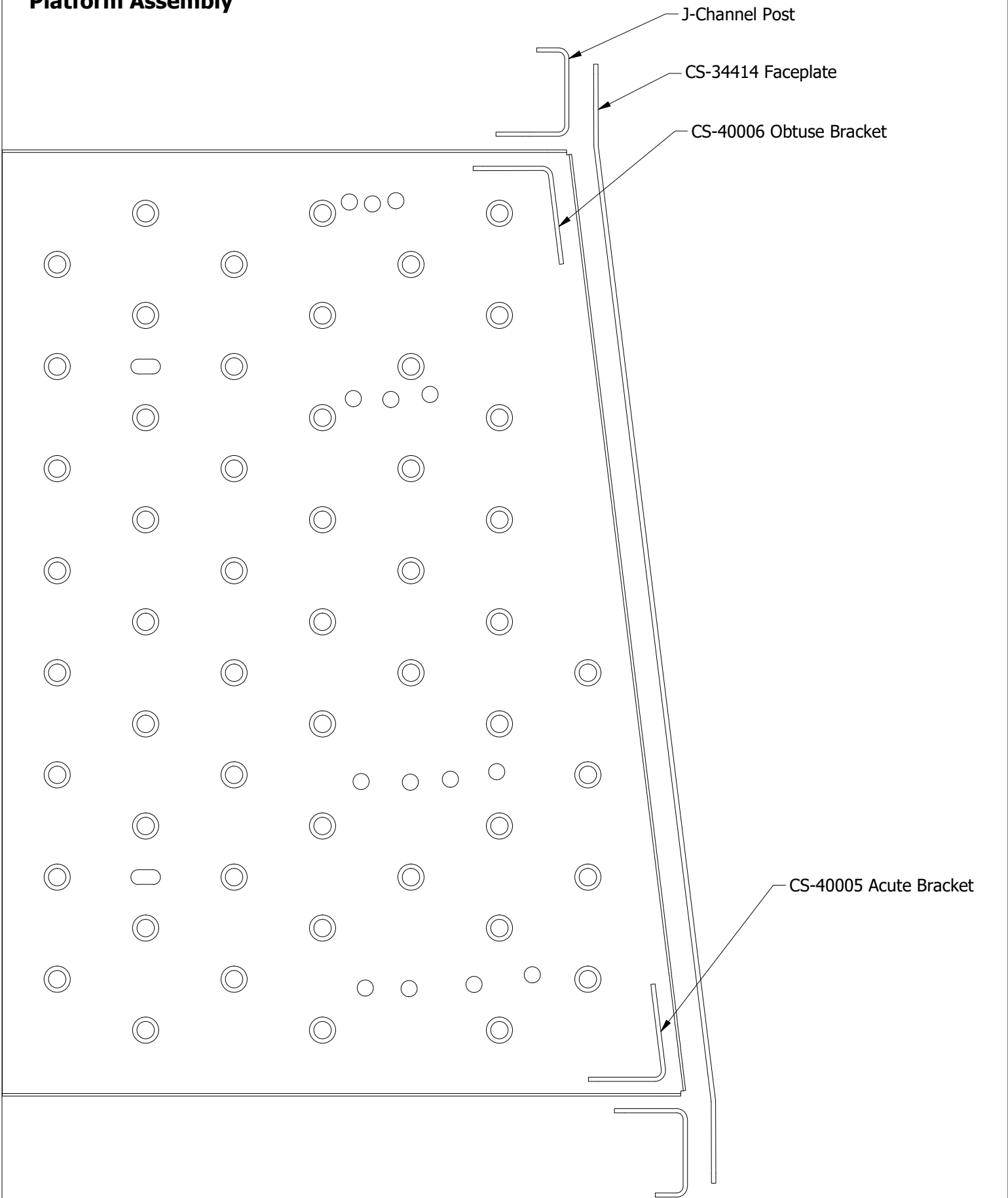
**CC3544L Parts List,
C-Series Commercial 44"
Long Stair Platform**

Roof Stair Platform

PARTS LIST			
ITEM	QTY	PART NUMBER	DESCRIPTION
1	1	CS-F30001	Tread, Platform, Trapezoid 55x24
2	2	CS-40005	Bracket, Brace, Angle, Acute
3	2	CS-40006	Bracket, Brace, Angle, Obtuse
4	2	CS-34414	Bracket, Faceplate
5	2	CS-34500	Angle, Post, J-channel, Right
6	2	CS-34501	Angle, Post, J-channel, Left
7	1	CS-34406	Channel, Kickboard, Outside Long
8	2	TRS1505400	54" long 1.5 in tube railing slotted end tabs
9	2	CS-34401	Bracket, Wall, 44 Platform
10	2	CS-34402	Brace, Plate, Platform
11	2	CS-44002	Channel, Brace, 44
12	1	CS-40410	Lower Stringer Extension, Right
13	1	CS-40411	Lower Stringer Extension, Left
14	1	CS-34407	Channel, Kickboard, Inside, Long
15	1	CS-34408	Channel, Kickboard, End
16	2	TRS1504800	48 Long 1.5 in tube railing slotted end tabs
17	2	TRS1502800	28 Long 1.5 in tube railing slotted end tabs
18	2	ART-0007	Entry Guardrail Post Right
20	1	CS-3009	Bracket, Support, Platform
21	2	CS-30010	Bracket, Plate, Handrail

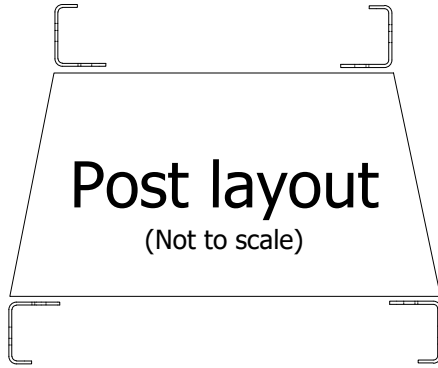


C-Series Commercial Platform Assembly

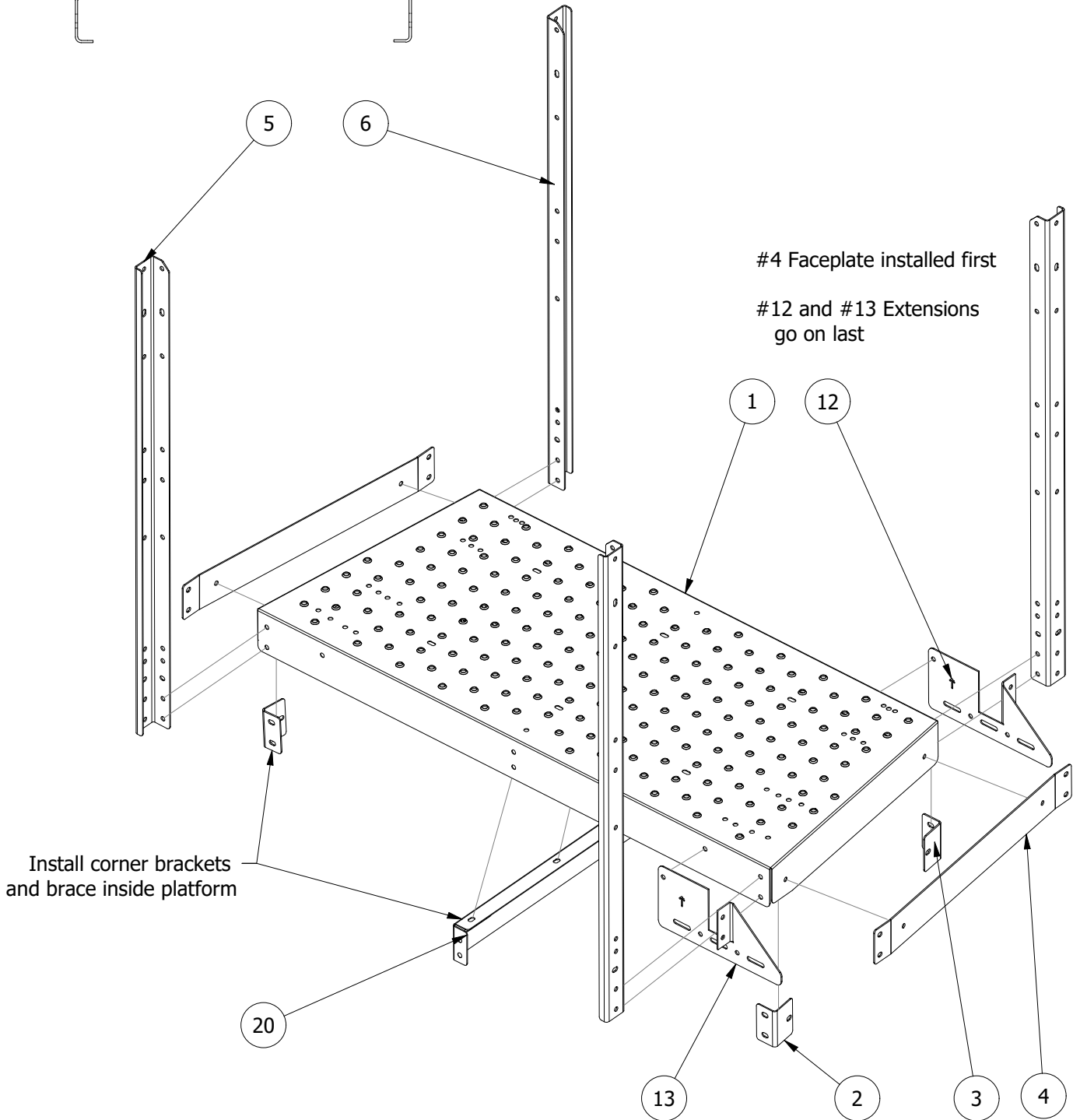


C-Series Commercial Platform Assembly

Posts & Brackets



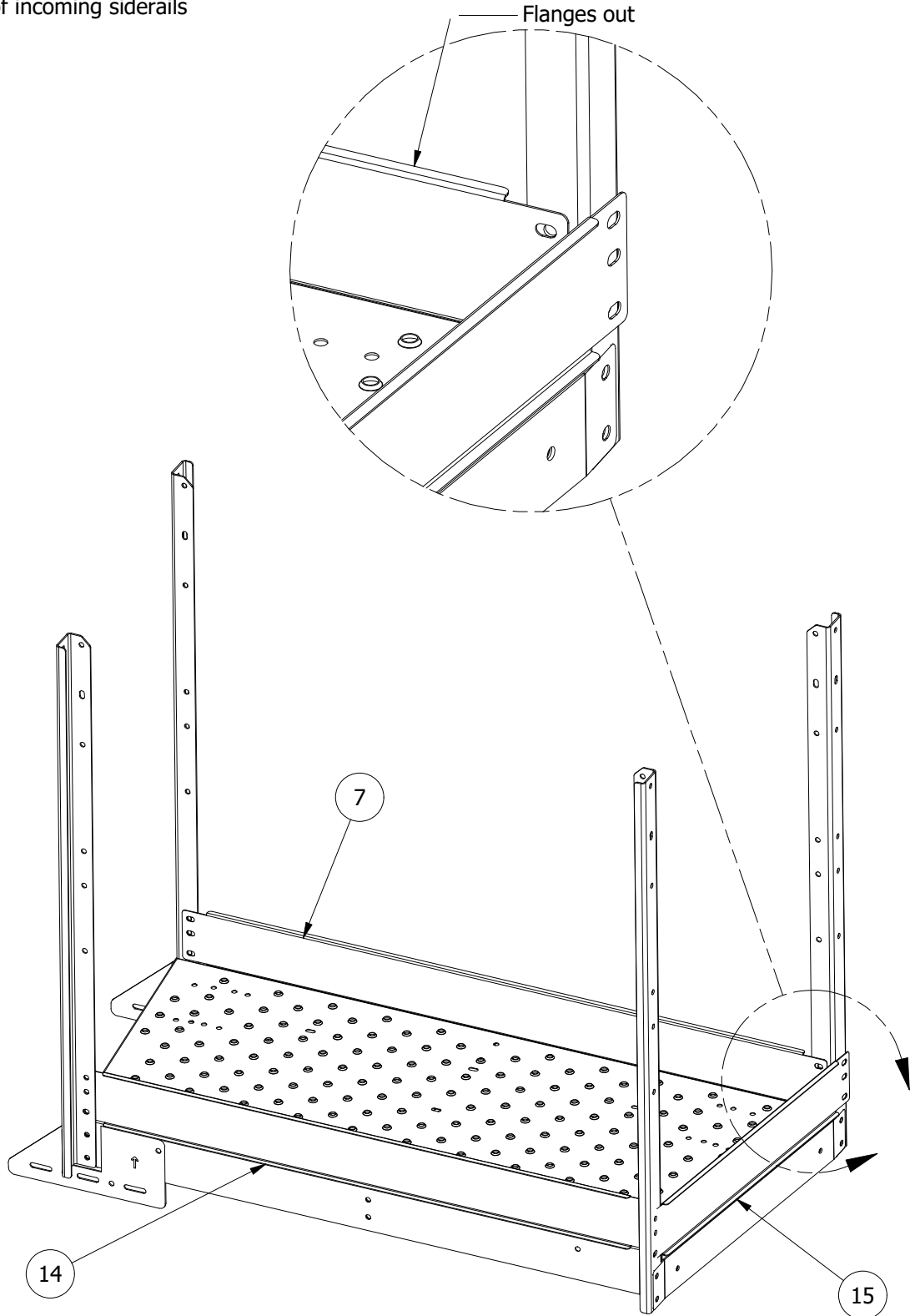
PARTS LIST			
ITEM	QTY	PART NUMBER	DESCRIPTION
1	1	CS-F30001	Tread, Platform, Trapezoid 55x24
2	2	CS-40005	Bracket, Brace, Angle, Acute
3	2	CS-40006	Bracket, Brace, Angle, Obtuse
4	2	CS-34414	Bracket, Faceplate
5	2	CS-34500	Angle, Post, J-channel, Right
6	2	CS-34501	Angle, Post, J-channel, Left
12	1	CS-40410	Lower Stringer Extension, Right
13	1	CS-40411	Lower Stringer Extension, Left
20	1	CS-3009	Bracket, Support, Platform



**C-Series Commercial
Platform Assembly
Kickboards**

PARTS LIST			
ITEM	QTY	PART NUMBER	DESCRIPTION
7	1	CS-34406	Channel, Kickboard, Outside Long
14	1	CS-34407	Channel, Kickboard, Inside, Long
15	1	CS-34408	Channel, Kickboard, End

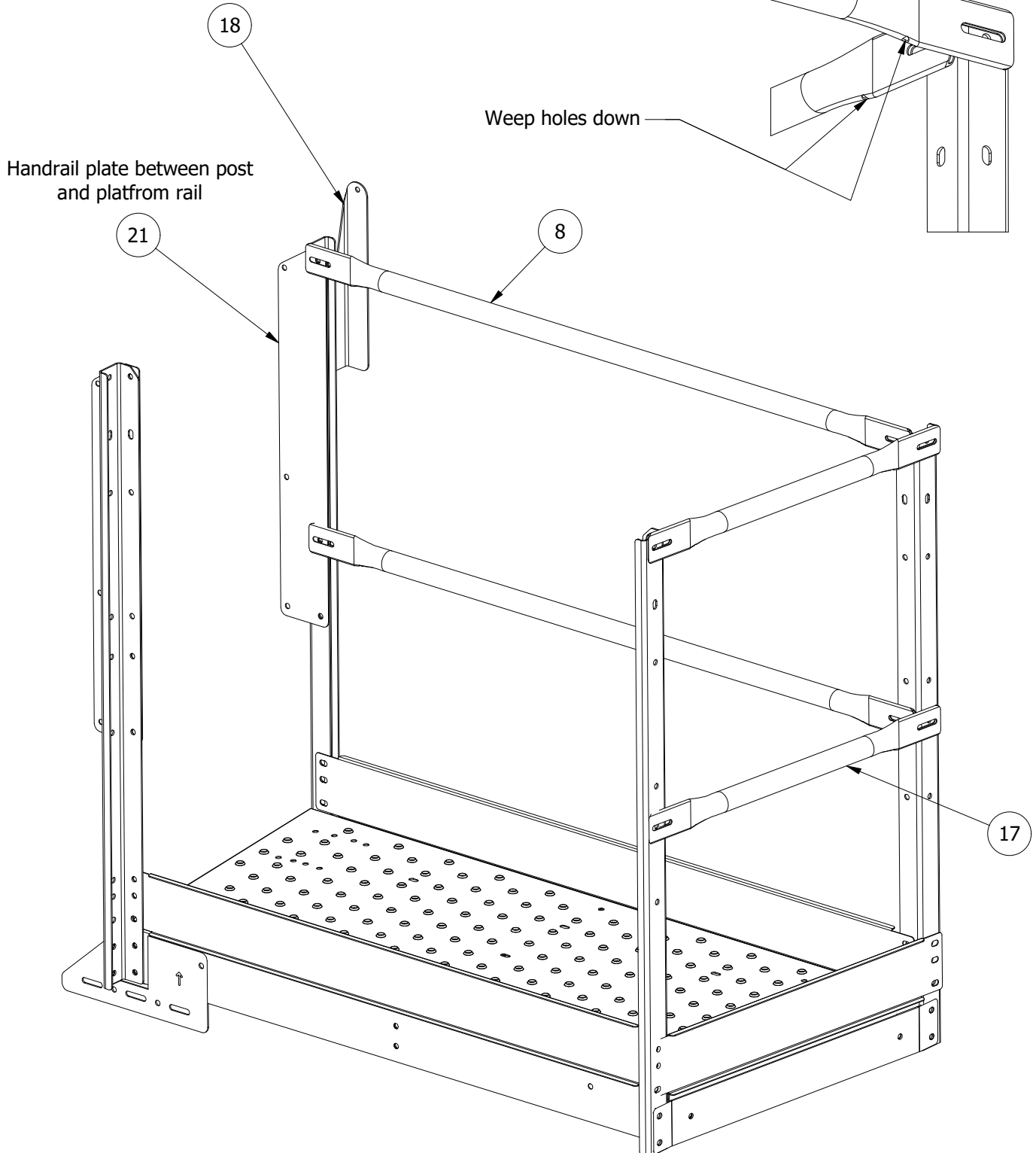
Note:
On manhole platform and rest landings, there is no end kickboard
Additionally, the top bolts should be left out of the side kickboards
to allow clearance of incoming siderails



**C-Series Commercial
Platform Assembly
Railing**

PARTS LIST			
ITEM	QTY	PART NUMBER	DESCRIPTION
8	2	TRS1505400	54" long 1.5 in tube railing slotted end tabs
17	2	TRS1502800	28 Long 1.5 in tube railing slotted end tabs
18	2	ART-0007	Entry Guardrail Post Right
21	2	CS-30010	Bracket, Plate, Handrail

ART-0007 and ART-0008 entry posts may be field-drilled to set the correct guardrail height

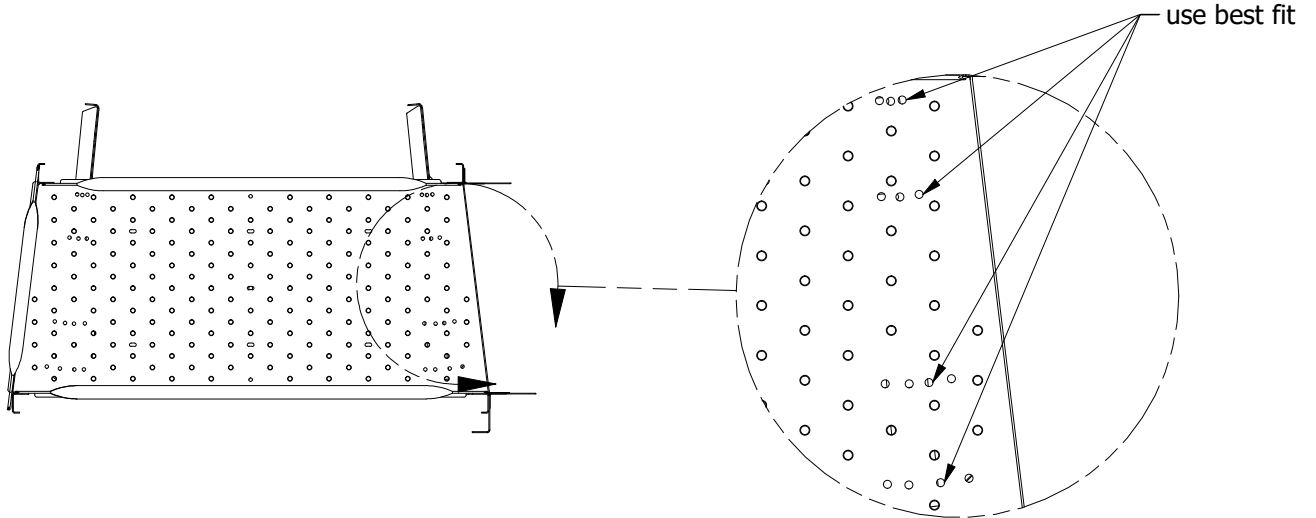


C-Series Commercial Platform Assembly

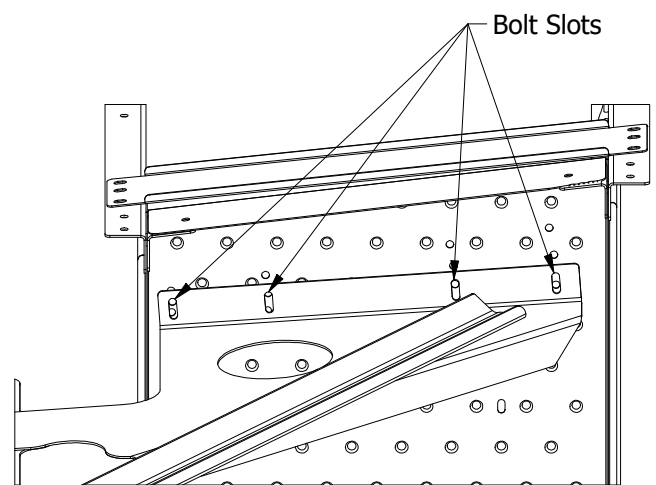
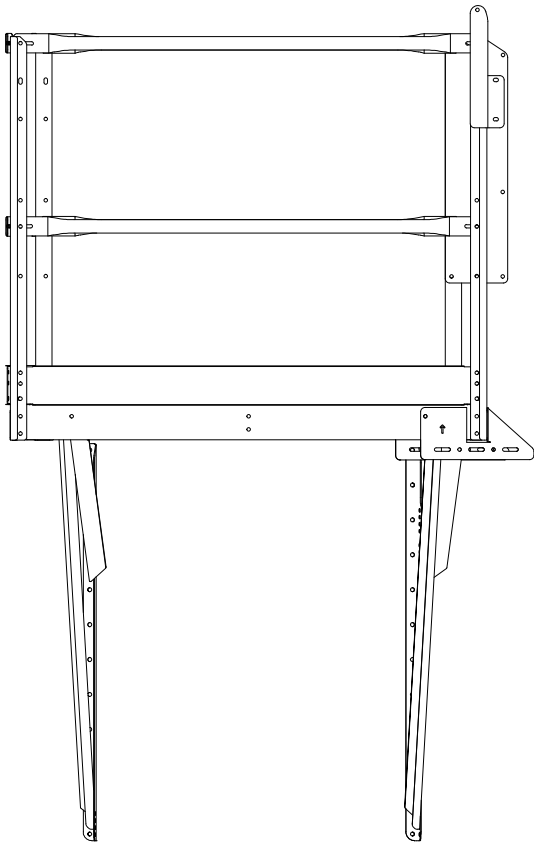
Center the platform assembly on top of the A-frame wall mounts.

Use 4 bolts to attach each wall mount plate to the platform.

Use the bolt holes in the platform that best align with the A-frame mounts, this will vary according to the bin diameter.

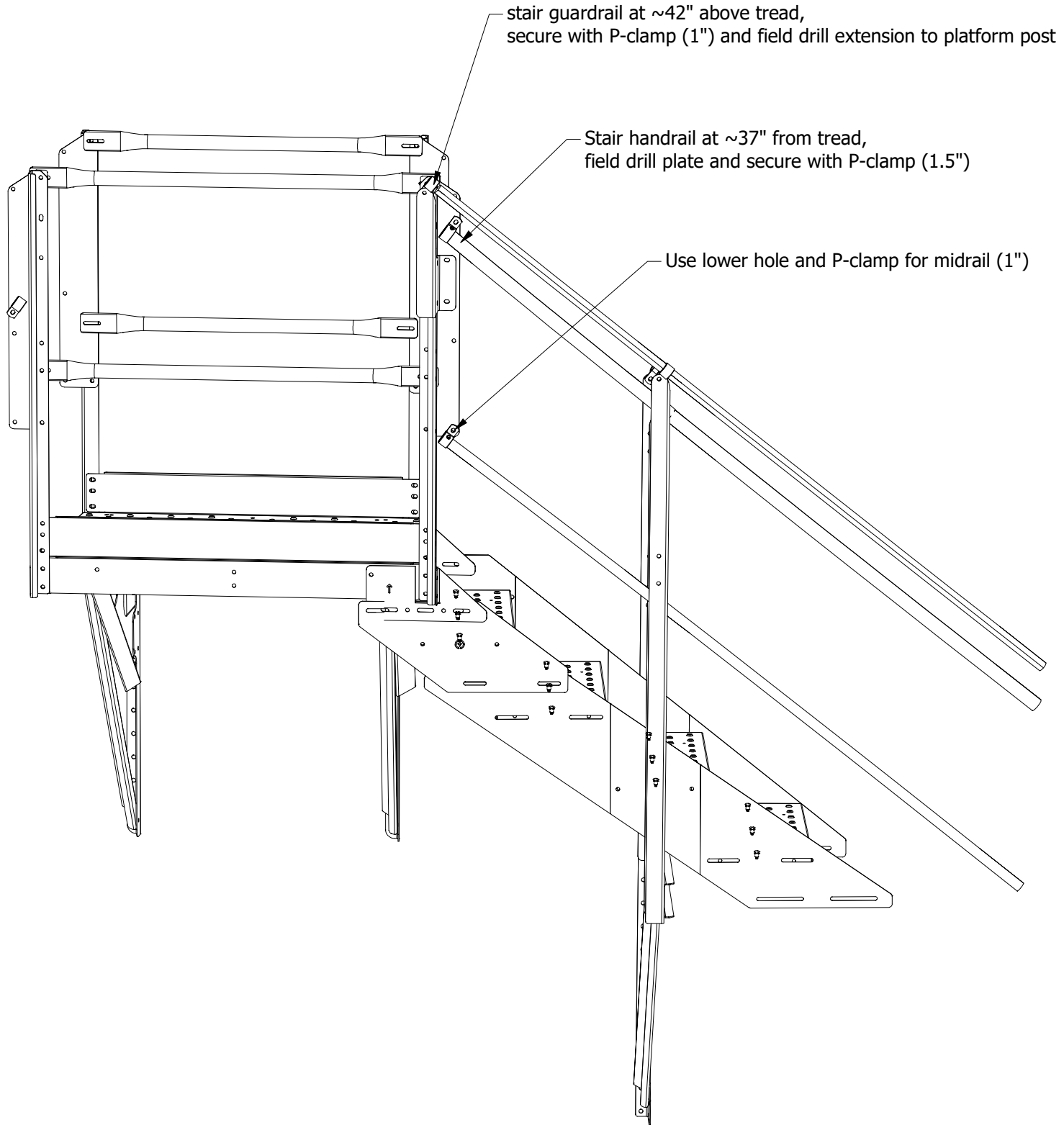
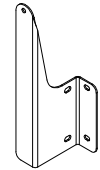


Bolt detail



**Underside View of
Platform Attachment**

C-Series Commercial Platforms Midrail, Handrail, and Guardrail

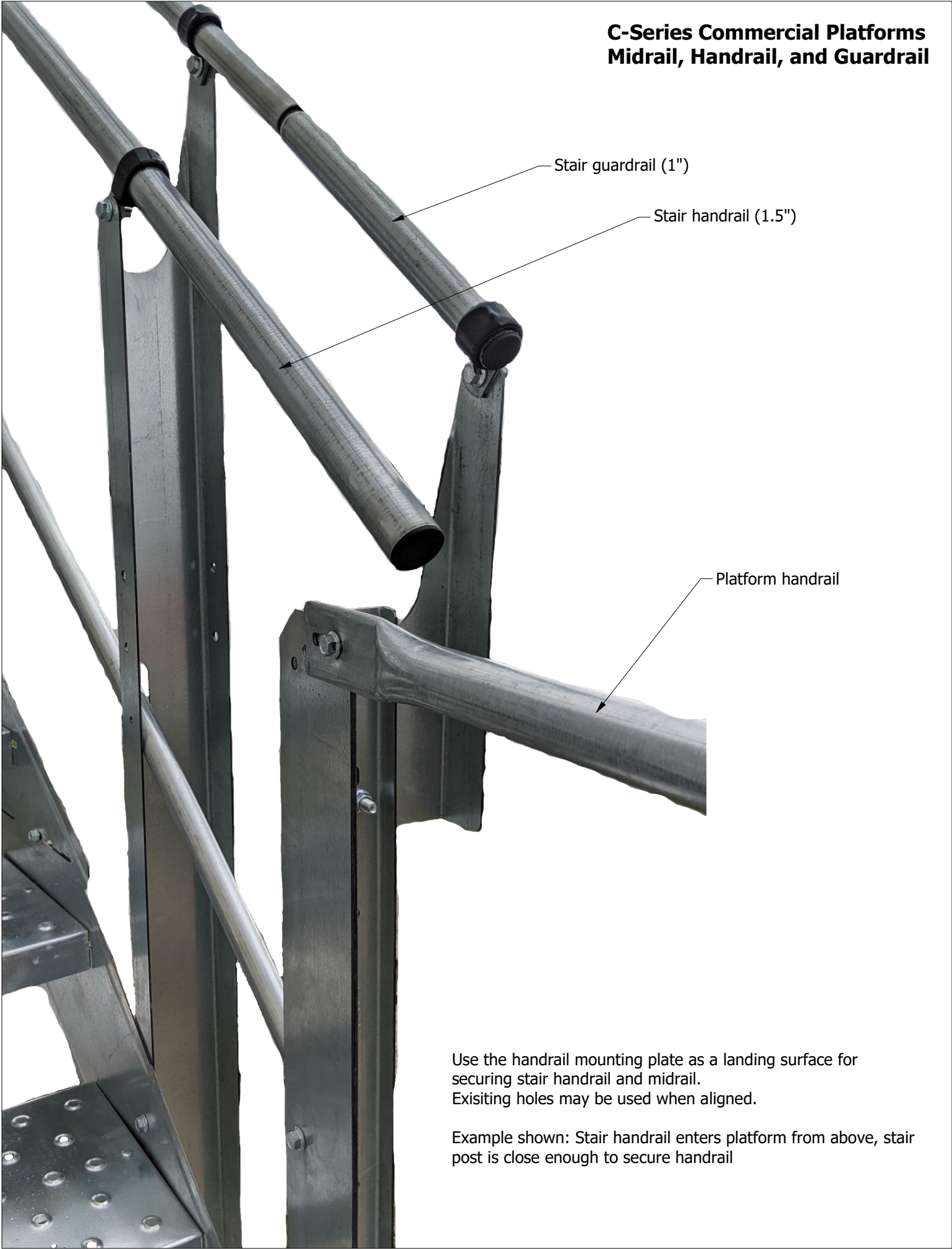


stair guardrail at ~42" above tread,
secure with P-clamp (1") and field drill extension to platform post

Stair handrail at ~37" from tread,
field drill plate and secure with P-clamp (1.5")

Use lower hole and P-clamp for midrail (1")

**C-Series Commercial Platforms
Midrail, Handrail, and Guardrail**



Stair guardrail (1")

Stair handrail (1.5")

Platform handrail

Use the handrail mounting plate as a landing surface for securing stair handrail and midrail. Existing holes may be used when aligned.

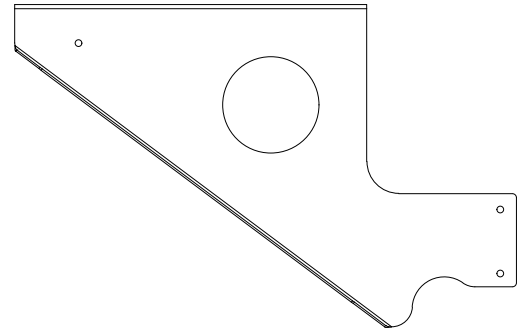
Example shown: Stair handrail enters platform from above, stair post is close enough to secure handrail

CC3544L Roof Stair Platform

Parts ID



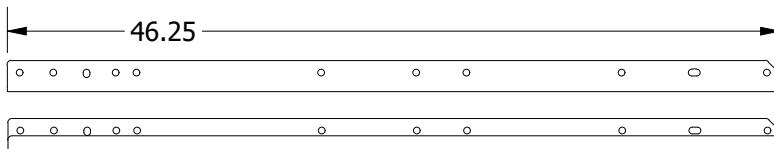
CS-44001



CS-34402

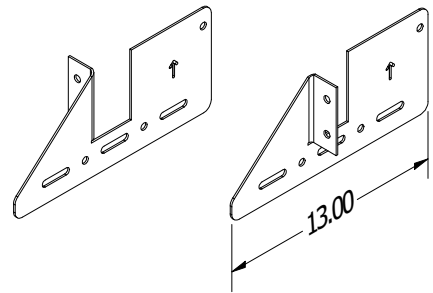


CS-44002



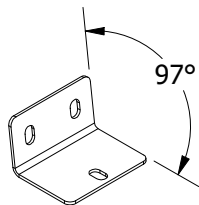
CS-34500 (Right), CS-34501 (Left)

CS-40411, CS-40410

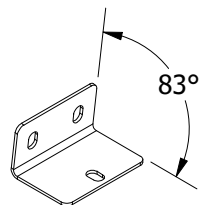


Note

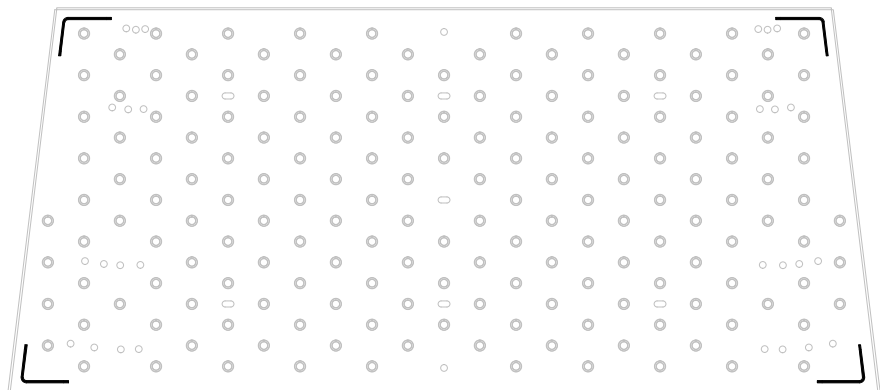
The CS-40005 and CS-40006 angle brackets must be installed on the inside of the CS-F30001 platform tread.



CS-40006

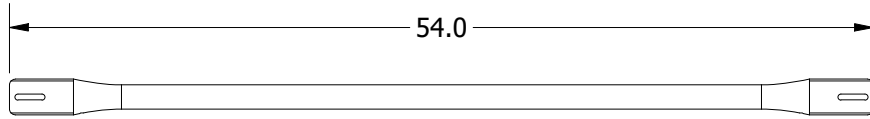


CS-40005

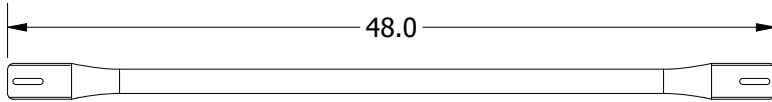


CS-F30001

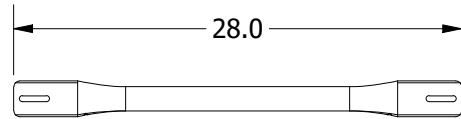
CC3544L Roof Stair Platform
Parts ID



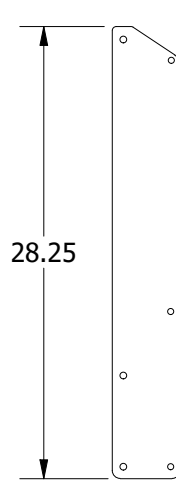
TR1505400



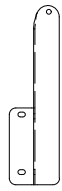
TR1504800



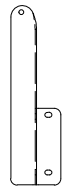
TR1502800



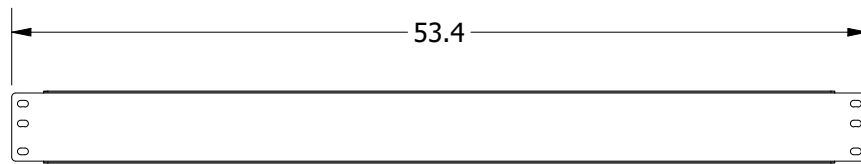
CS-30010



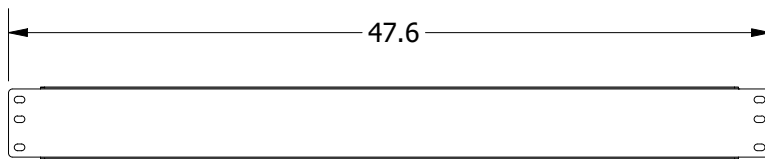
ART-0008



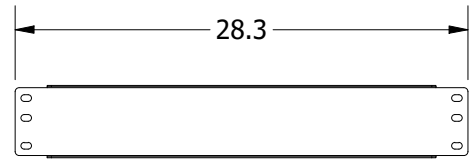
ART-0007



CS-34406

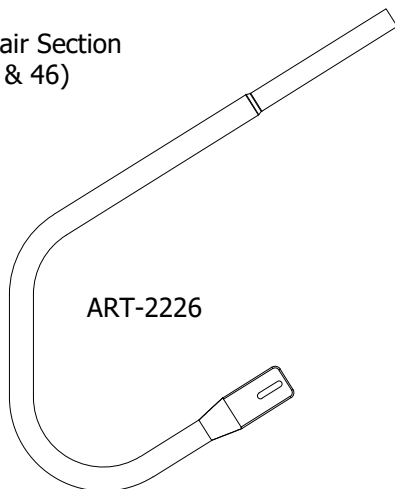


CS-34407

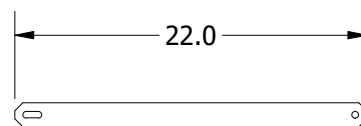


CS-34408

Used on Bottom Stair Section
 (see pages 45 & 46)



ART-2226



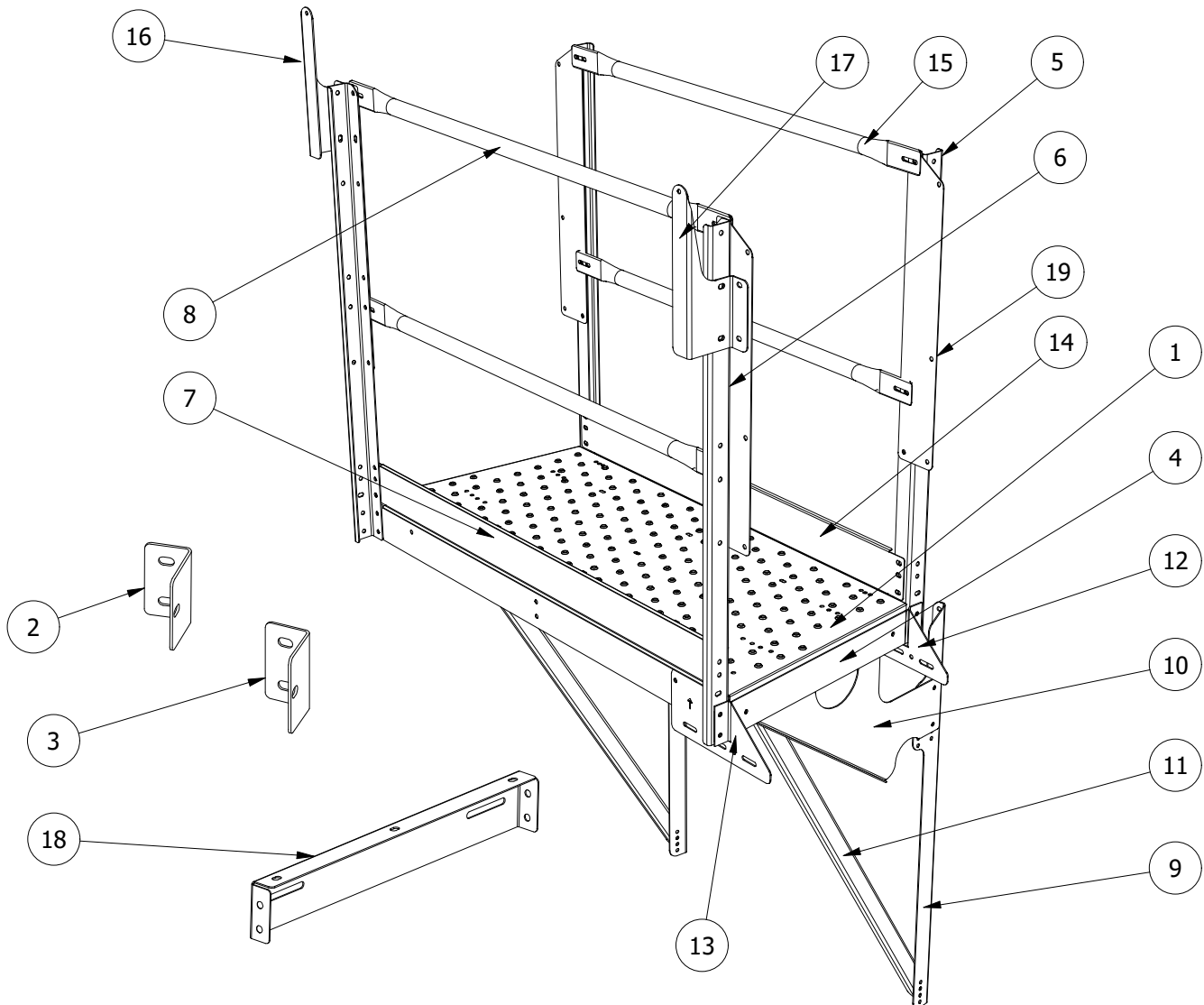
AS-40004

**CC3644L Parts List,
C-Series Commercial 44"
Long Stair Platform**

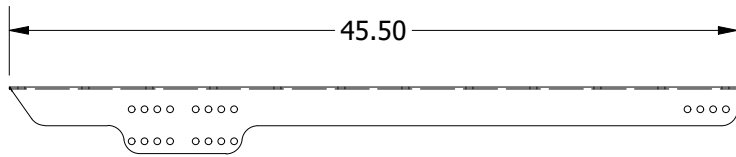
Manhole Platform

Refer to page 15 and repeat instruction process with these components

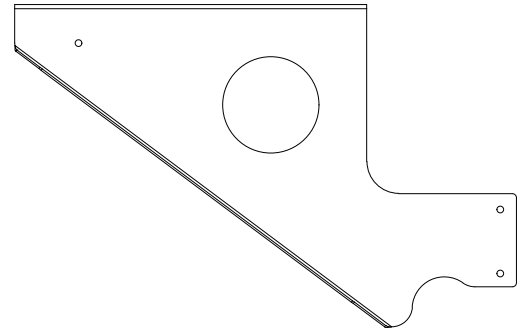
PARTS LIST			
ITEM	QTY	PART NUMBER	DESCRIPTION
1	1	CS-F30001	Tread, Platform, Long, Trapezoid 55x24
2	2	CS-40005	Bracket, Brace, Acute
3	2	CS-40006	Bracket, Brace, Obtuse
4	2	CS-34414	Bracket, Faceplate
5	2	CS-34500	Angle, Post, J-channel, Right
6	2	CS-34501	Angle, Post, J-channel, Left
7	1	CS-34406	Channel, Kickboard, Outside Long
8	2	TRS1505400	54" long 1.5 in tube railing slotted end tabs
9	2	CS-34401	Bracket, Wall, 44 Platform
10	2	CS-34402	Brace, Plate, Platform
11	2	CS-44002	Channel, Brace, 44
12	1	CS-40410	Lower Stringer Extension, Right 44
13	1	CS-40411	Lower Stringer Extension, Left 44
14	1	CS-34407	Channel, Kickboard, Inside Long
15	2	TRS1504800	48 Long 1.5 in tube railing slotted end tabs
16	1	ART-0007	Entry Guardrail Post Right
17	1	ART-0008	Entry Guardrail Post Left
18	1	CS-3009	Bracket, Support, Platform
19	4	CS-30010	Bracket, Plate, Handrail



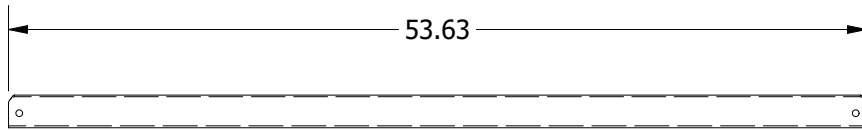
CC3644L Manhole Platform
Parts ID



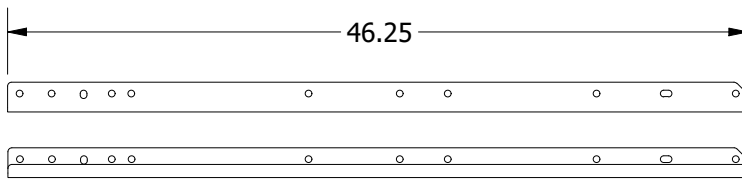
CS-44001



CS-34402

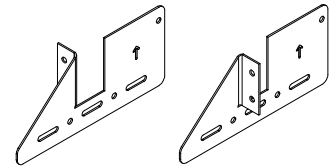


CS-44002



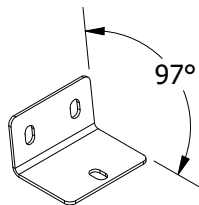
CS-34500 (Right), CS-34501 (Left)

CS-40411, CS-40410

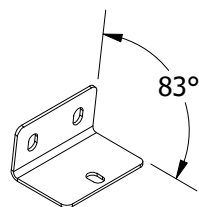


Note

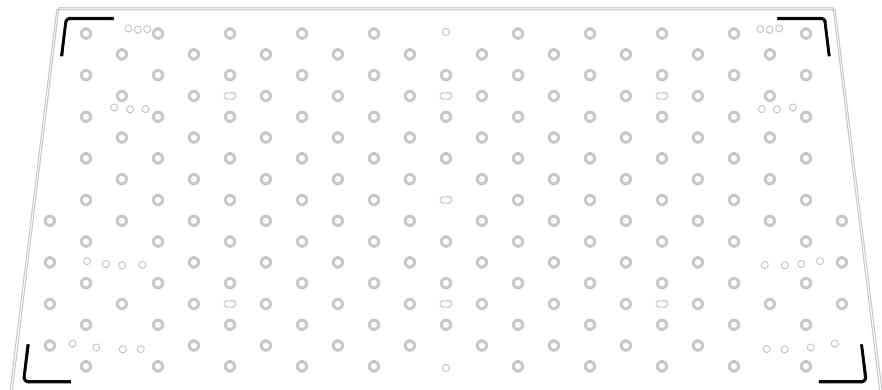
The CS-40005 and CS-40006 angle brackets must be installed on the inside of the CS-F30001 platform tread.



CS-40006



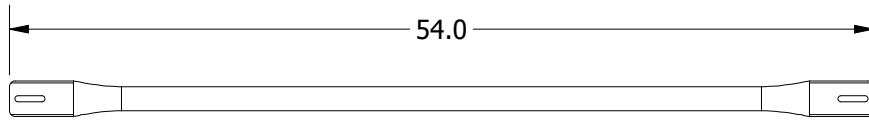
CS-40005



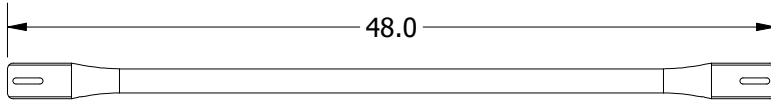
CS-F30001

CC3644L Manhole Platform

Parts ID



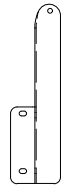
TR1505400



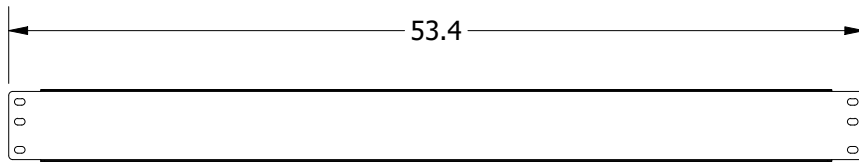
TR1504800



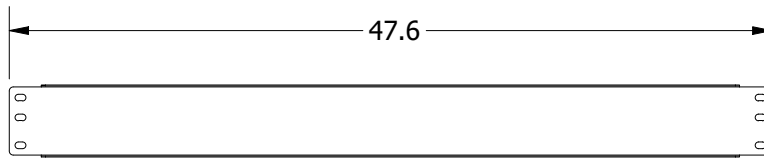
ART-0007



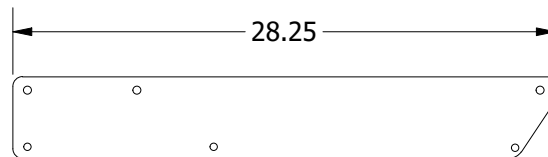
ART-0008



CS-34406



CS-34407



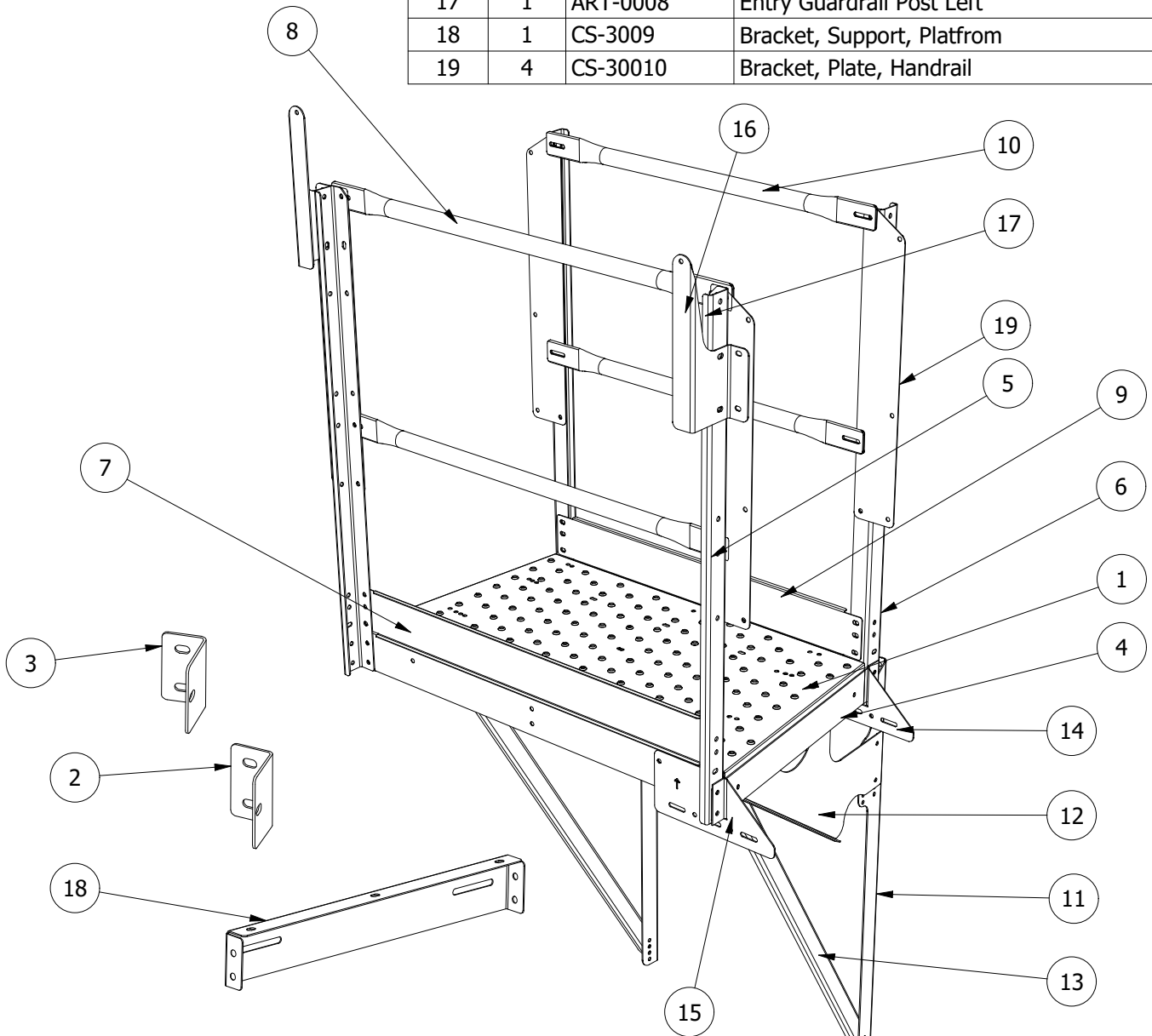
CS-30010

**CC3644S Parts List,
C-Series Commercial 44"
Short Stair Platform**

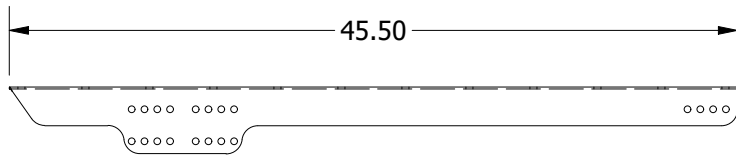
Rest Landing

Refer to page 15 and repeat instruction process with these components

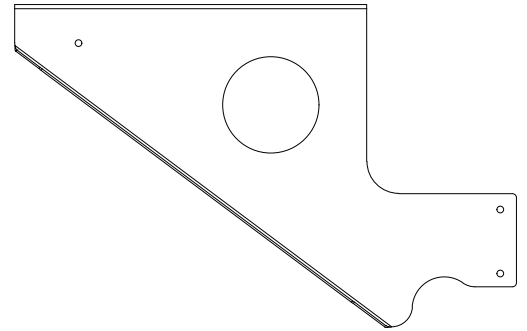
PARTS LIST			
ITEM	QTY	PART NUMBER	DESCRIPTION
1	1	CS-F30002	Tread, platform, Short, Trapezoid 44x24
2	2	CS-40006	Bracket, Brace, Obtuse
3	2	CS-40005	Bracket, Brace, Acute
4	2	CS-34414	Bracket, Faceplate
5	2	CS-34404	Angle, Post, J-channel, Left
6	2	CS-34500	Angle, Post, J-channel, Right
7	1	CS-34410	Channel, Kickboard, Outside, Short
8	2	TRS1504400	44 Long 1.5 in tube railing slotted end tabs
9	1	CS-34409	Channel, Kickboard, Inside, Short
10	2	TRS1503700	37 Long 1.5 in tube railing slotted end tabs
11	2	CS-34401	Bracket, Wall, 44 Platform
12	2	CS-34402	Brace, Plate, Platform
13	2	CS-44002	Channel, Brace, 44
14	1	CS-40410	Lower Stringer Extension, Right 44
15	1	CS-40411	Lower Stringer Extension, Left 44
16	1	ART-0007	Entry Guardrail Post Right
17	1	ART-0008	Entry Guardrail Post Left
18	1	CS-3009	Bracket, Support, Platform
19	4	CS-30010	Bracket, Plate, Handrail



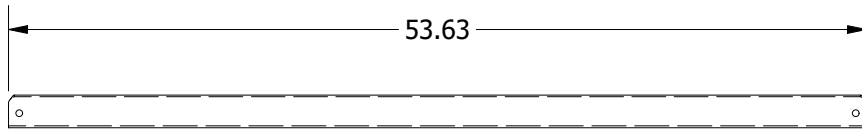
CC3644S Rest Landing
Parts ID



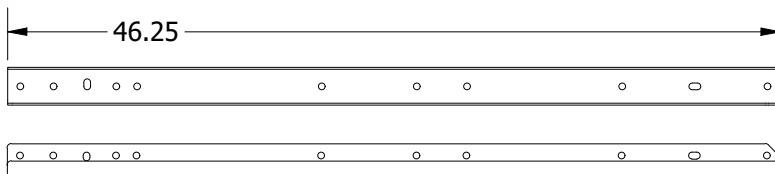
CS-44001



CS-34402

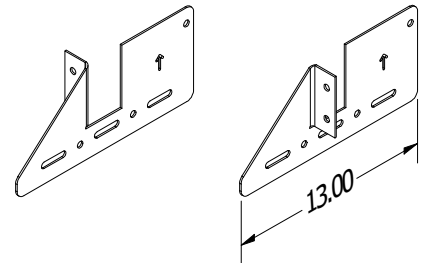


CS-44002



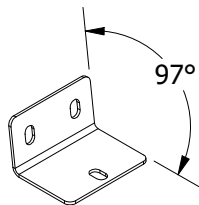
CS-34500 (Right), CS-34501 (Left)

CS-40411, CS-40410

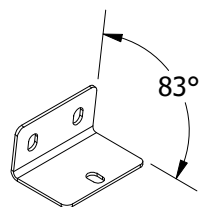


Note

The CS-40005 and CS-40006 angle brackets must be installed on the inside of the CS-F30002 platform tread.



CS-40006

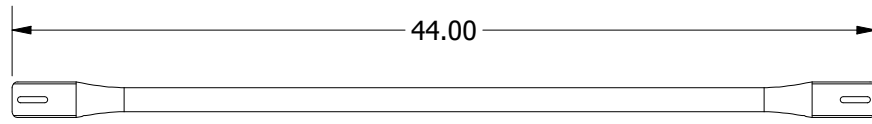


CS-40005

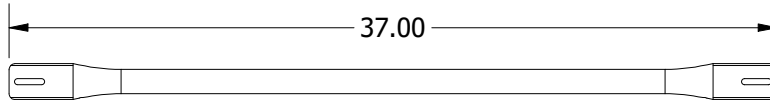


CS-F30002

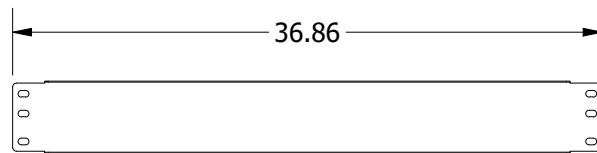
CC3644S Rest Landing
Parts ID



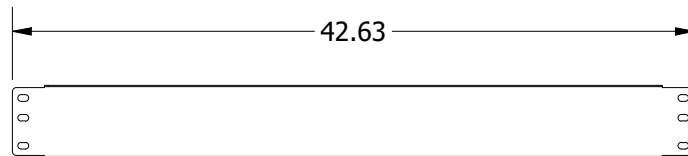
TR1504400



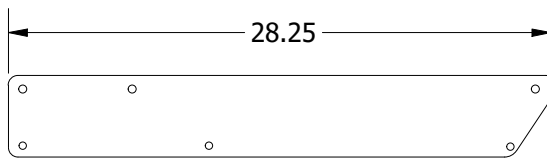
TR1503700



CS-34409



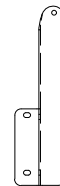
CS-34410



CS-30010



ART-0007

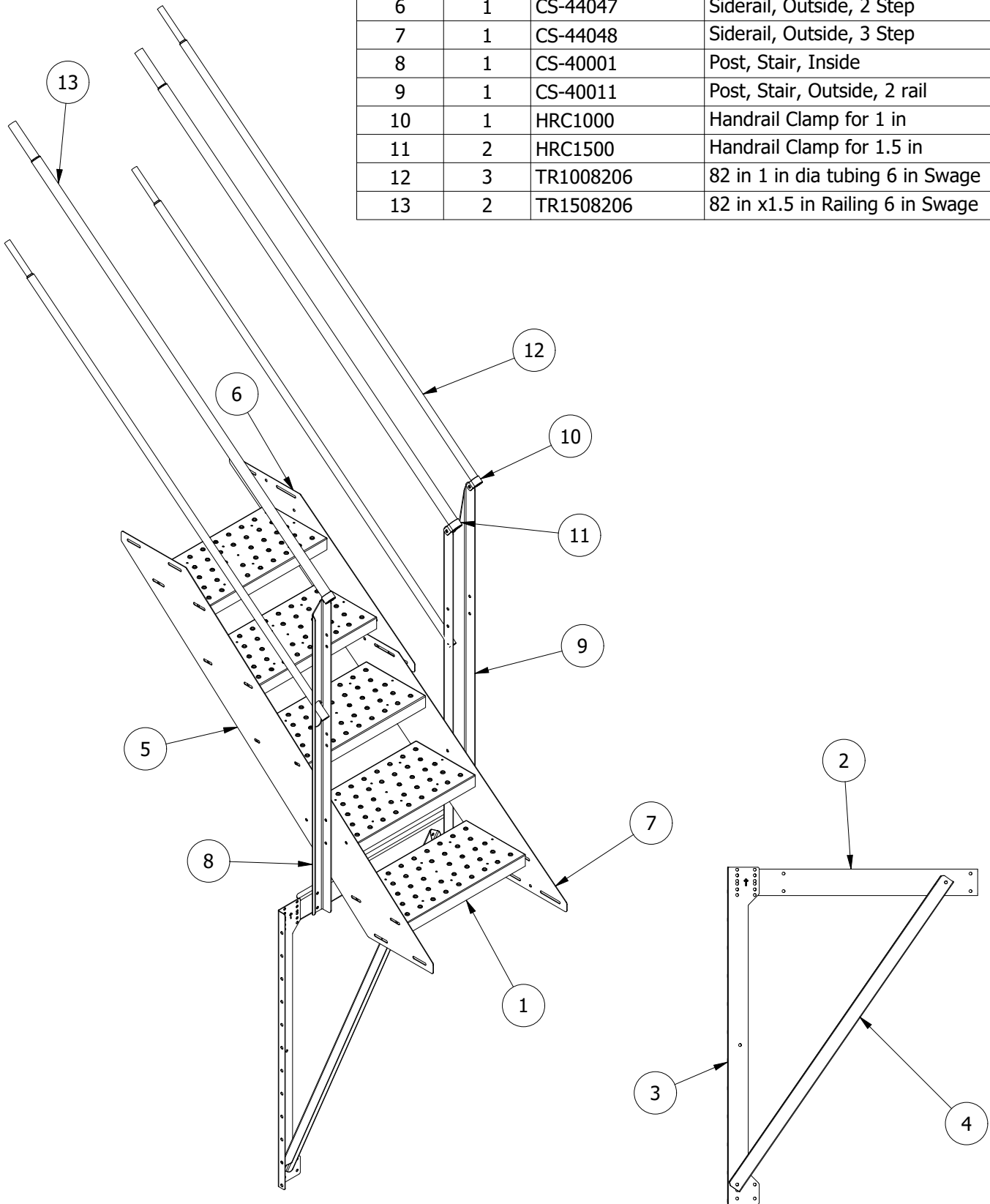


ART-0008

**Parts List, CC4400
C-Series Commercial 44"
5 Step Stair Section**

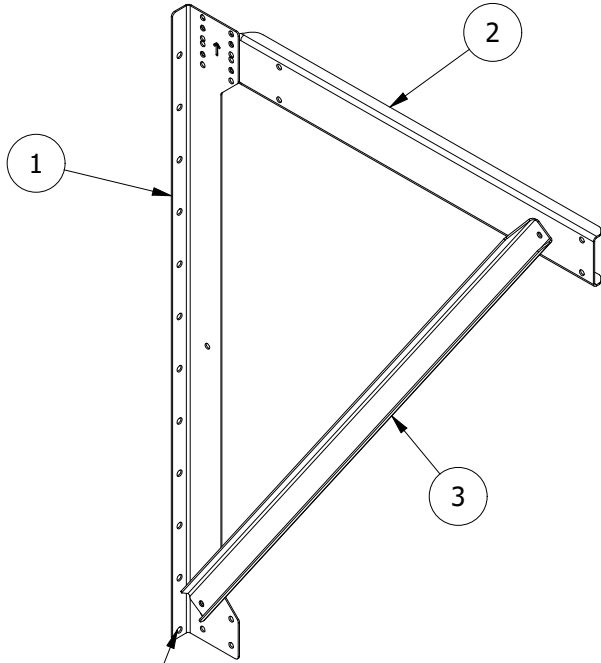
PARTS LIST

ITEM	QTY	PART NUMBER	DESCRIPTION
1	5	CS41224	Tread Step 24 x 12 Assemble
2	1	CS-40002	Channel, Crossbar
3	1	CS-44001	Bracket, Wall, 44" Ring
4	1	CS-44002	Channel, Brace
5	1	CS-44045	Siderail, Inside, 5 Step
6	1	CS-44047	Siderail, Outside, 2 Step
7	1	CS-44048	Siderail, Outside, 3 Step
8	1	CS-40001	Post, Stair, Inside
9	1	CS-40011	Post, Stair, Outside, 2 rail
10	1	HRC1000	Handrail Clamp for 1 in
11	2	HRC1500	Handrail Clamp for 1.5 in
12	3	TR1008206	82 in 1 in dia tubing 6 in Swage
13	2	TR1508206	82 in x1.5 in Railing 6 in Swage



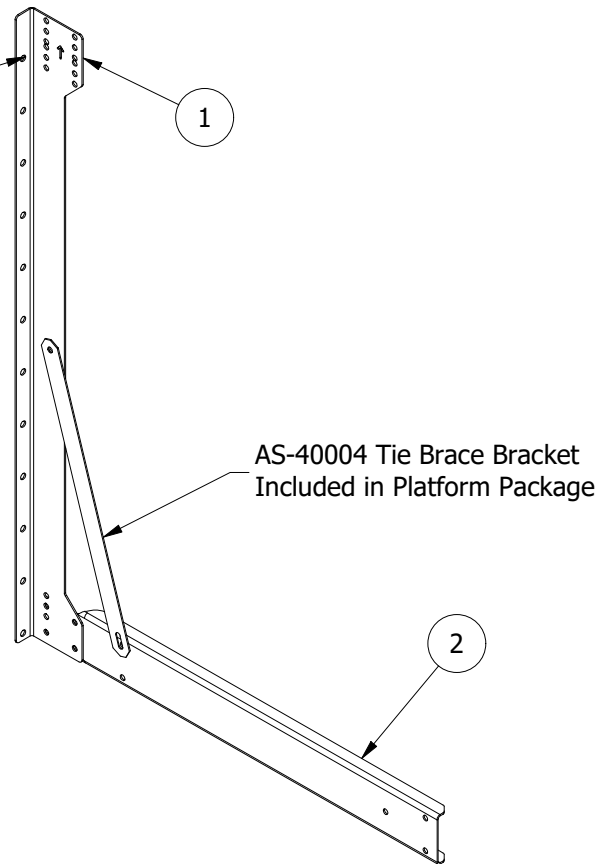
A-Frame Layouts

PARTS LIST			
ITEM	QTY	PART NUMBER	DESCRIPTION
1	1	CS-44001	Bracket, Wall, 44" Ring
2	1	CS-40002	Channel, Crossbar
3	1	CS-44002	Channel, Brace



Stair Run Section

Always include seal between bracket and bin sheet

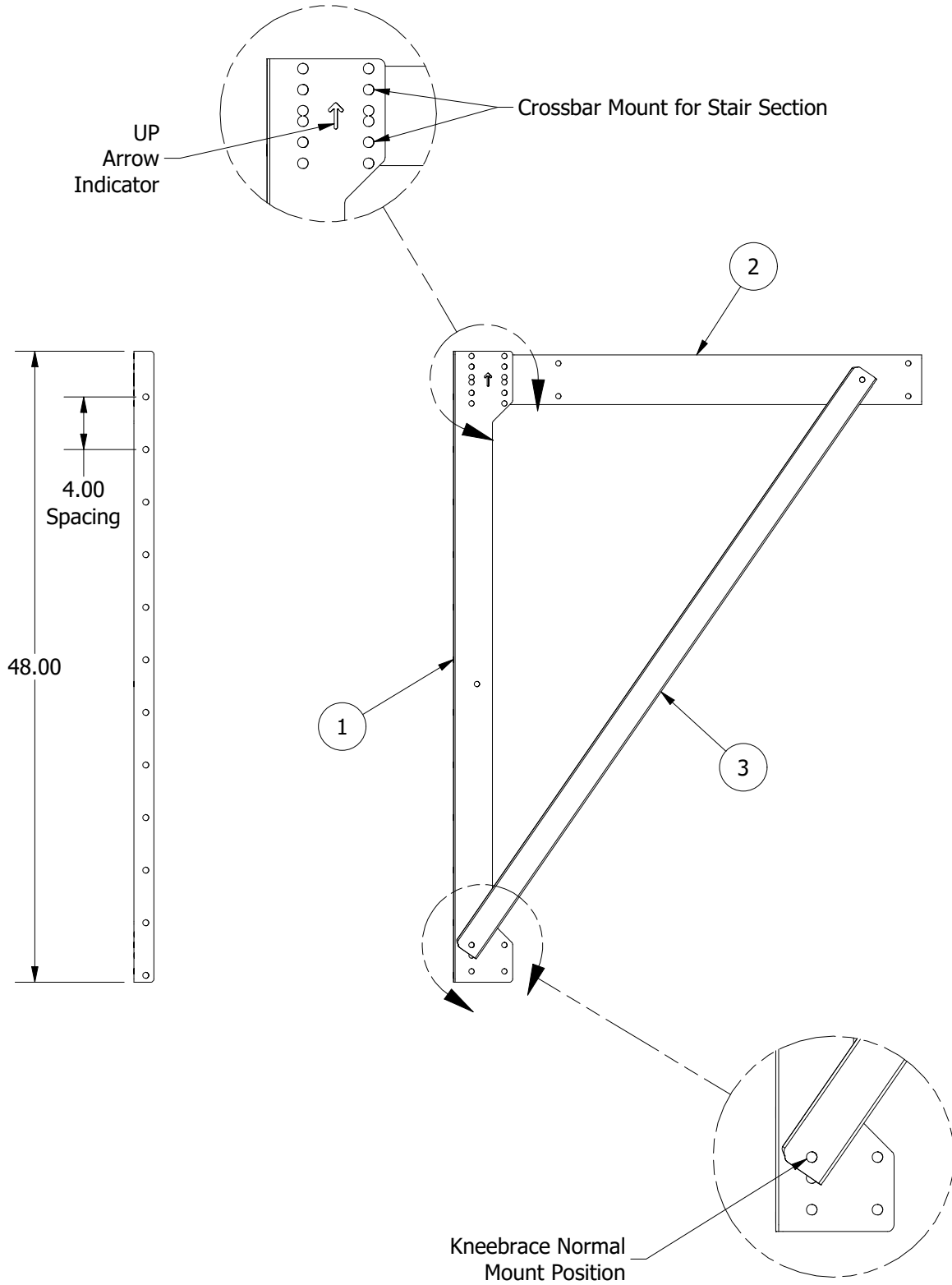


Bottom Stair Section

AS-40004 Tie Brace Bracket
Included in Platform Package

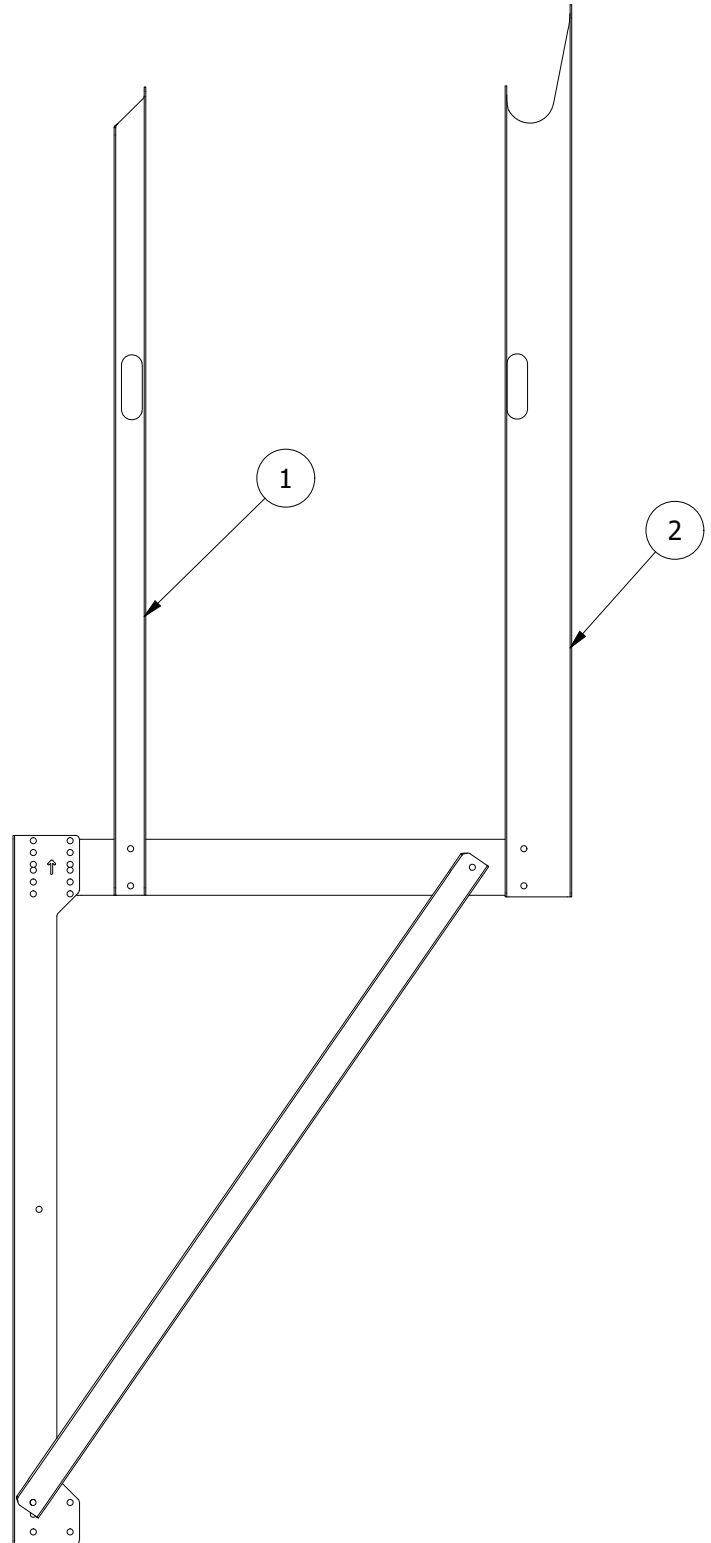
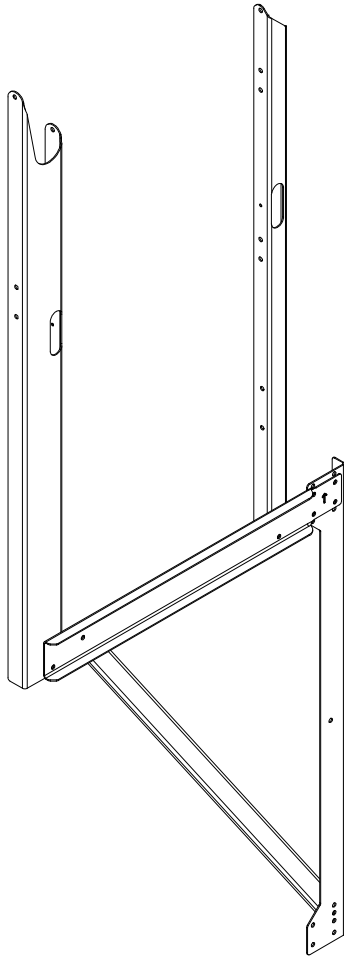
A-Frame Stair Run

PARTS LIST			
ITEM	QTY	PART NUMBER	DESCRIPTION
1	1	CS-44001	Bracket, Wall, 44" Ring
2	1	CS-40002	Channel, Crossbar
3	1	CS-44002	Channel, Brace



Attaching the Posts to the A-Frame

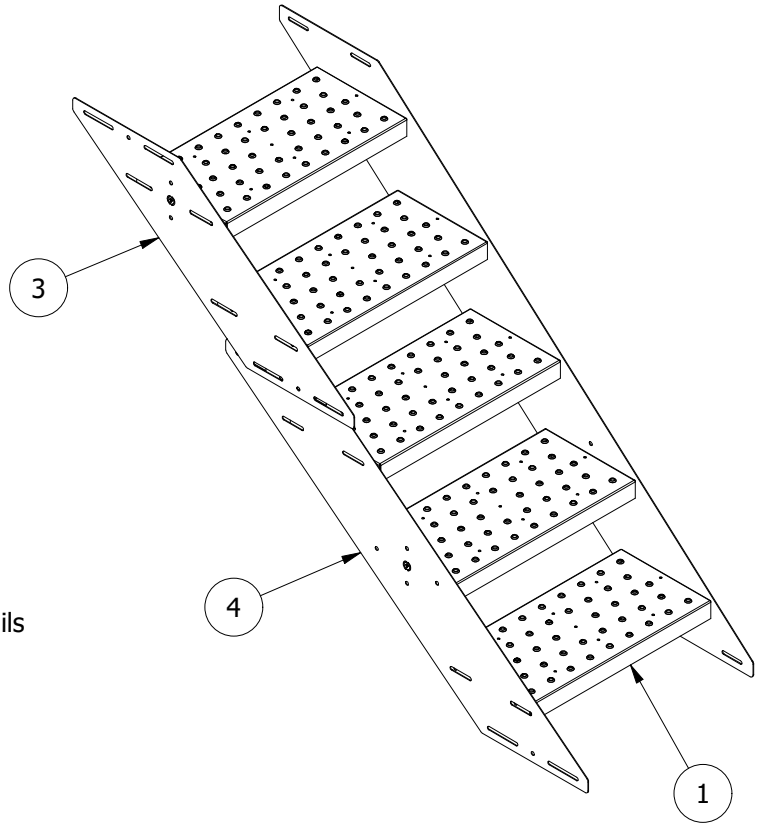
PARTS LIST			
ITEM	QTY	PART NUMBER	DESCRIPTION
1	1	CS-40001	Post, Inside Stair
2	1	CS-40011	Post, Stair Rail, Guard Rail Outside



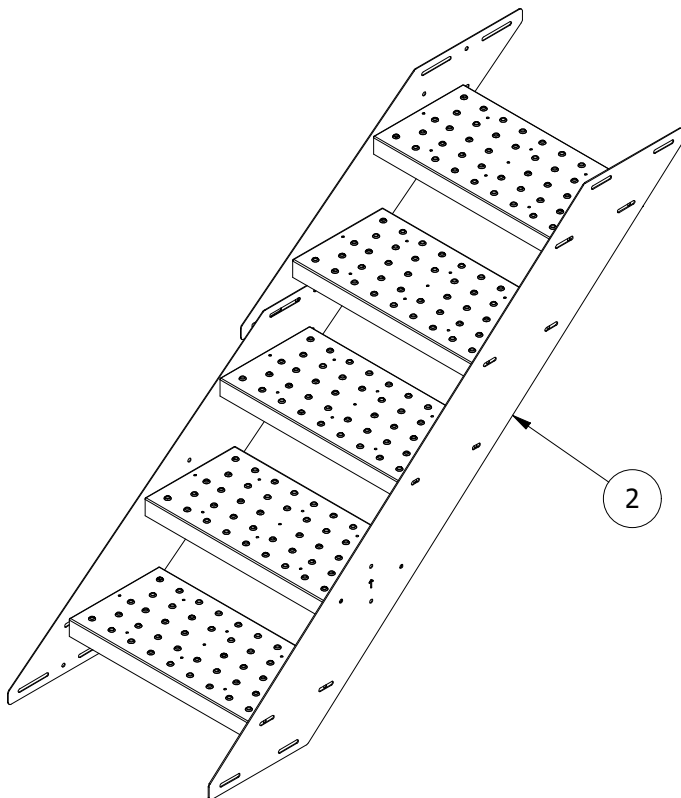
**CC4400 C-Series
Commercial 44"
5 Step Stair Section**

PARTS LIST			
ITEM	QTY	PART NUMBER	DESCRIPTION
1	5	CS41224	Tread Step 24 x 12 Assemble
2	1	CS-44045	Siderail, Inside, 5 Step
3	1	CS-44047	Siderail, Outside, 2 Step
4	1	CS-44048	Siderail, Outside, 3 Step

On the CC4400 stair section,
the inside siderail is a one piece 5-step,
the outside siderail is a two piece, 3-step and 2-step.



Arrow & Circle on Outside Siderails
Arrows Always Face UP



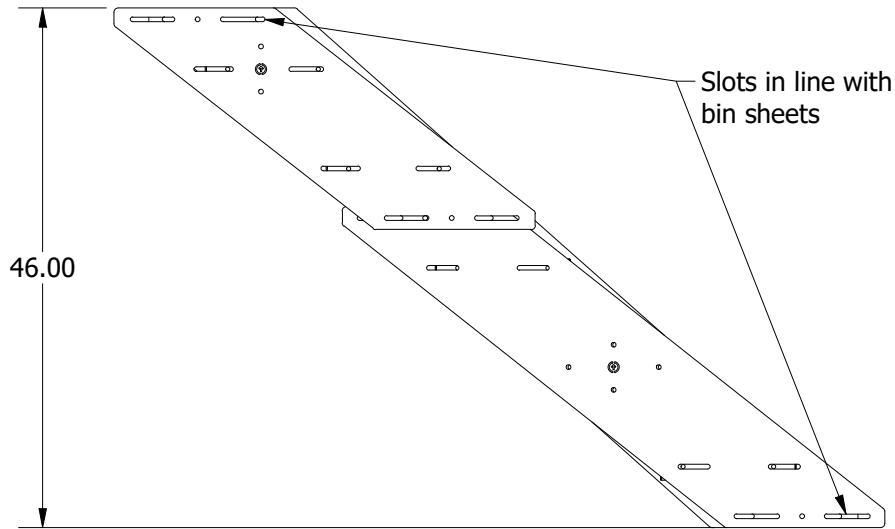
Arrow on Inside Siderails
Arrows Always Face UP

**CC4400 C-Series
Commercial 44"
5 Step Stair Section**

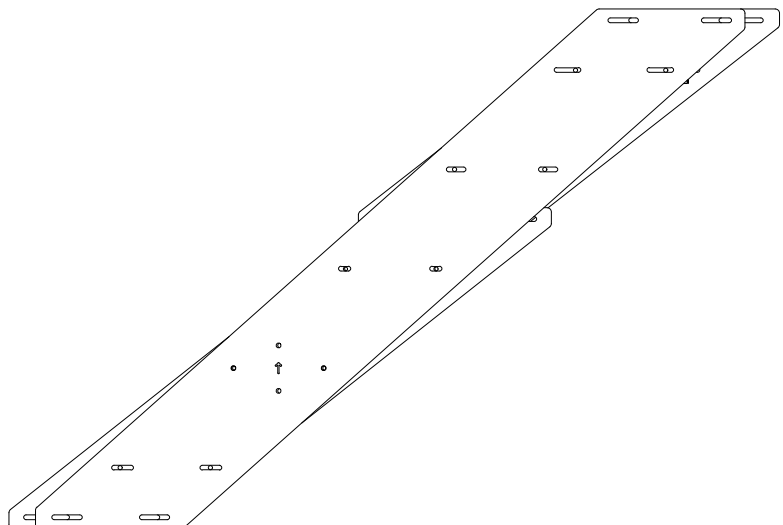
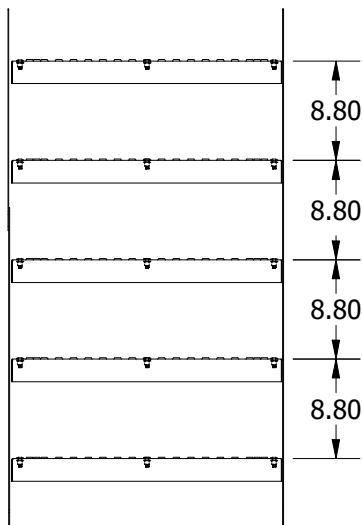
PARTS LIST			
ITEM	QTY	PART NUMBER	DESCRIPTION
1	5	CS41224	Tread Step 24 x 12 Assemble
2	1	CS-44045	Siderail, Inside, 5 Step
3	1	CS-44047	Siderail, Outside, 2 Step
4	1	CS-44048	Siderail, Outside, 3 Step

The step rise is 8.8".

The top and bottom slots of the siderails should stay inline with the seams of the 44" bin sheets.



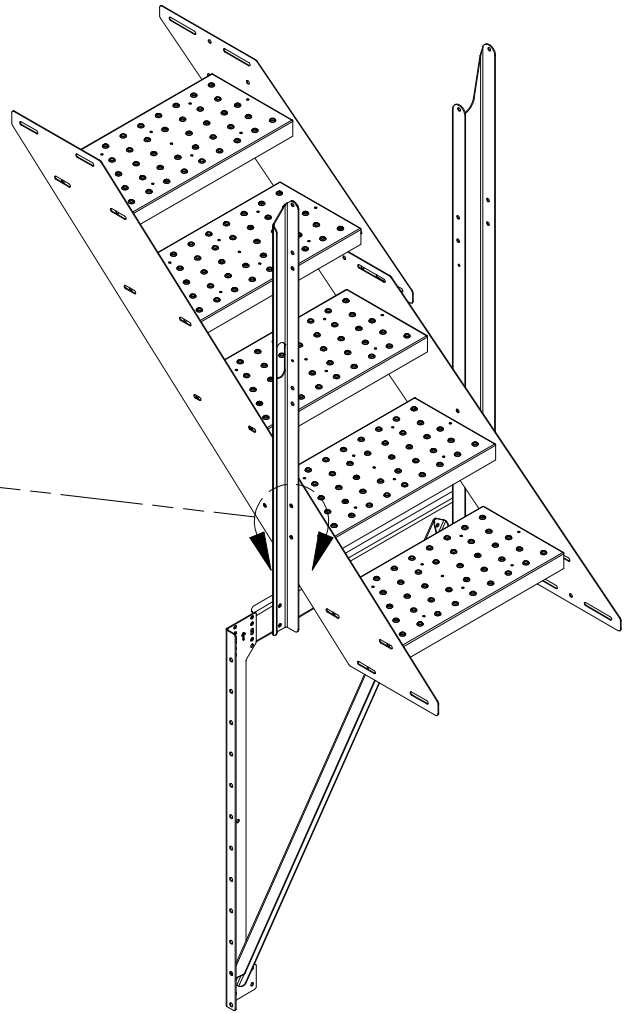
Outside View



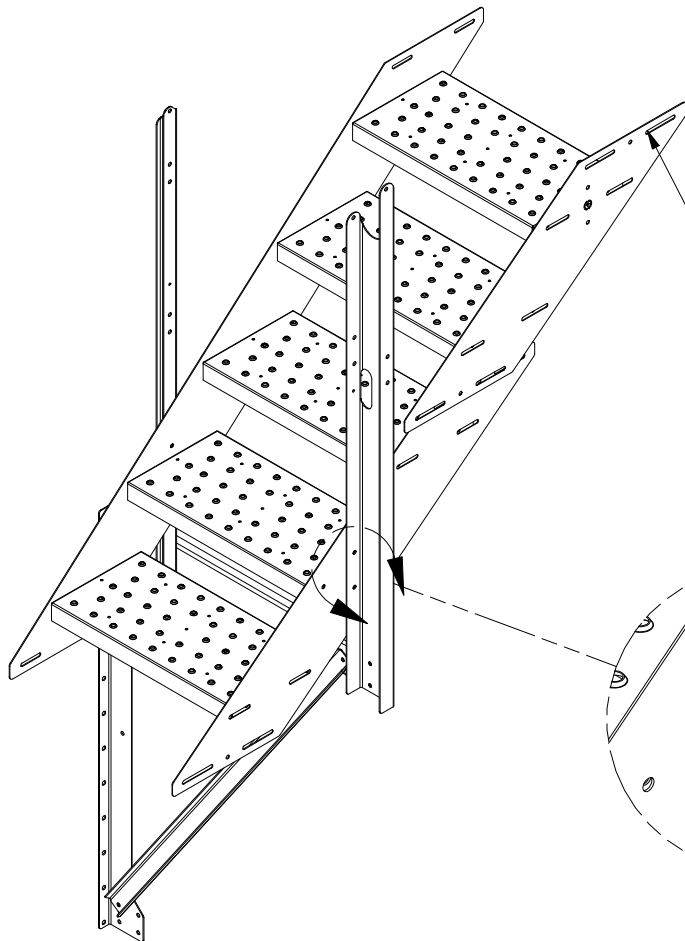
Inside View

Attaching the Stair Section to the A-Frame Assembly

Attach the inside and outside posts to the siderails at the 2nd step from the bottom. Bolt at the holes shown in detail views.



Inside View



Outside View

Bolt inside post to siderail here

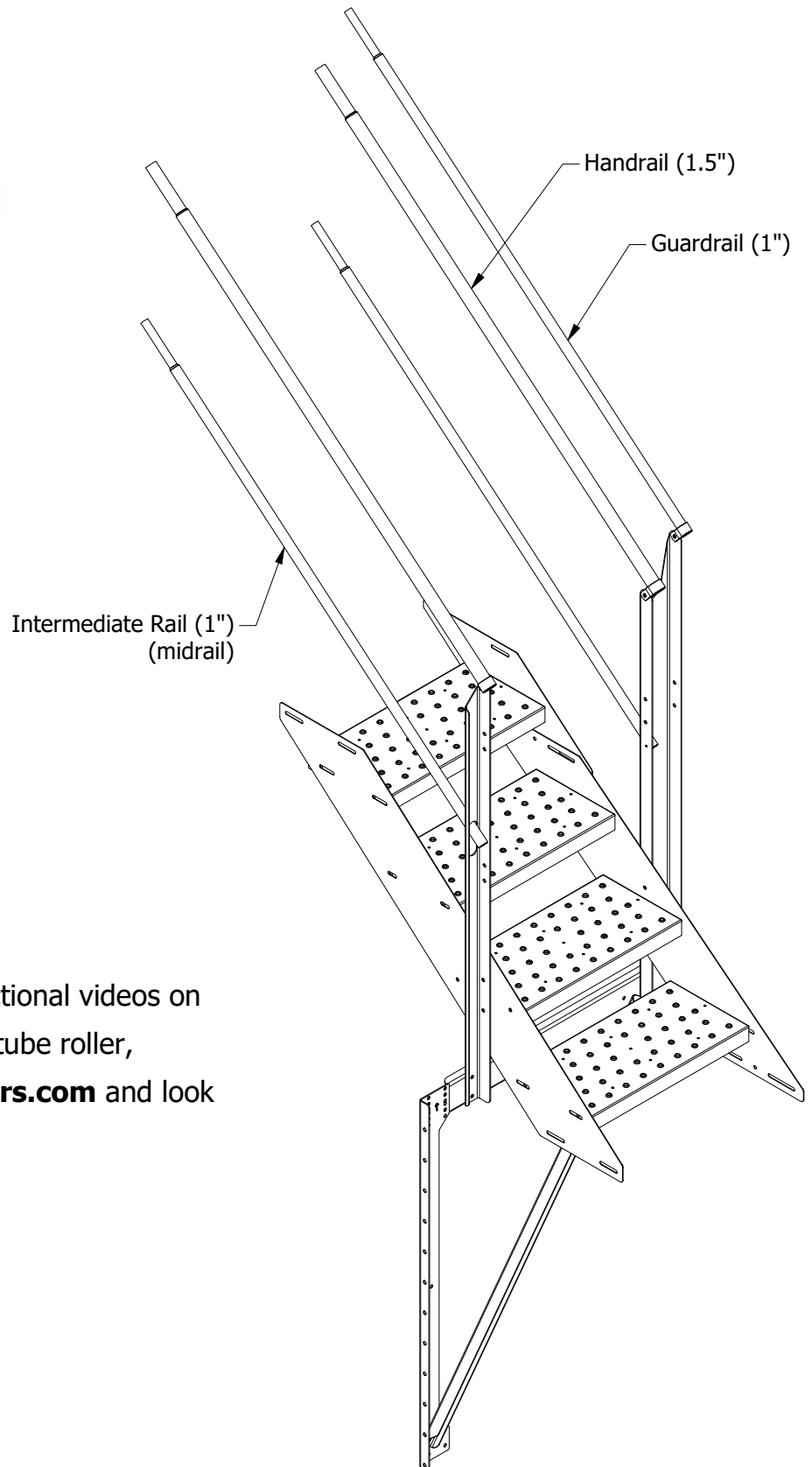
Connect upper siderail slots with previous stair section or platform


Bolt outside post to siderail here

Installing Handrails

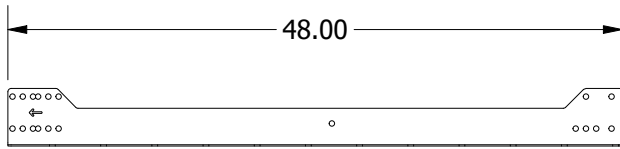
Using a Tube Roller Former as shown in the picture, curve all rails to fit the diameter of the bin.

The swaged ends of the rails should face up the stairs.

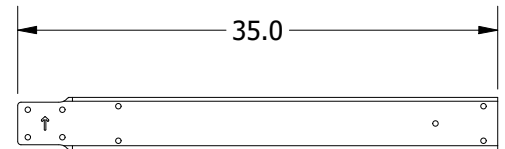


For more information and instructional videos on handrail installation and using a tube roller, go to our website at greenestairs.com and look for the  YouTube channel link.

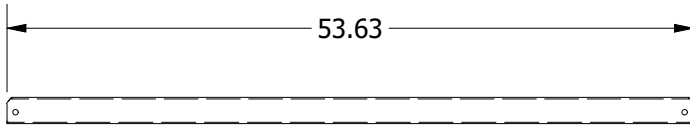
CC4400 Parts ID



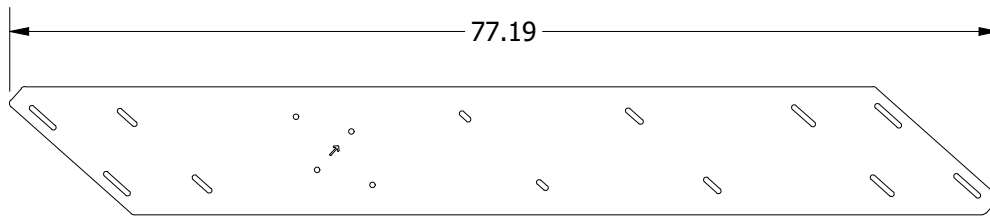
CS-44001



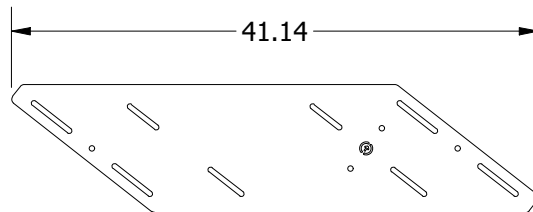
CS-40002



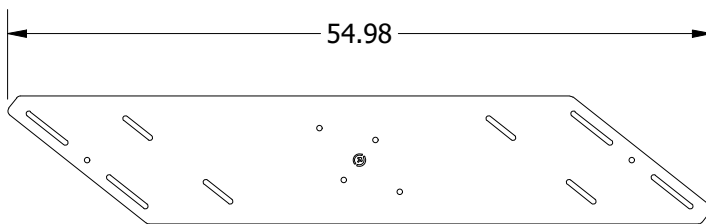
CS-44002



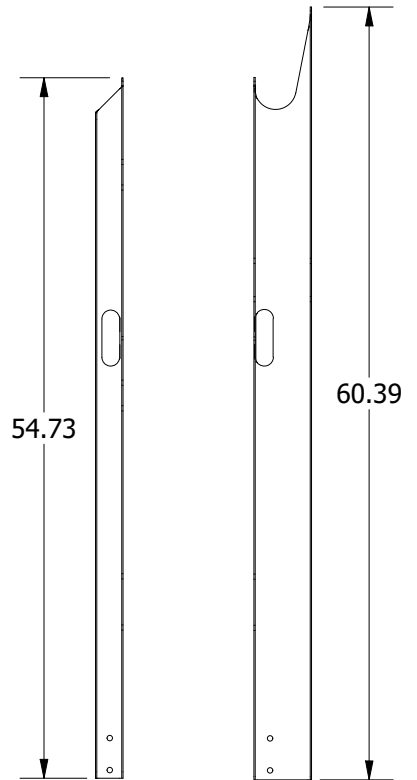
CS-44045



CS-44047

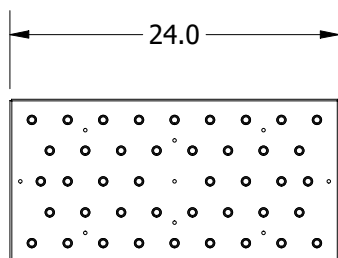


CS-44048

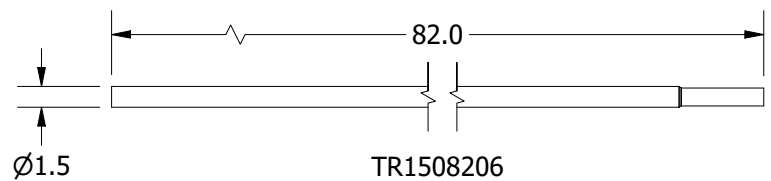


CS-40001

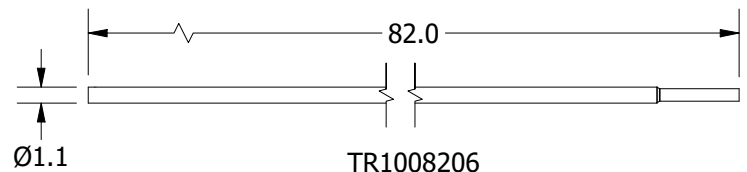
CS-40011



CS41224



TR1508206

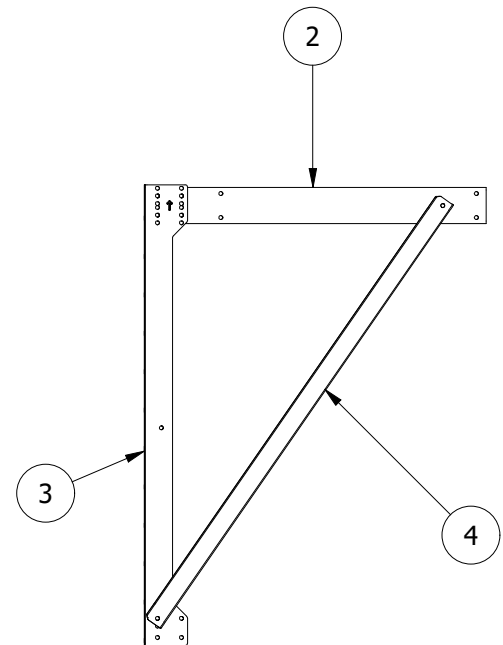
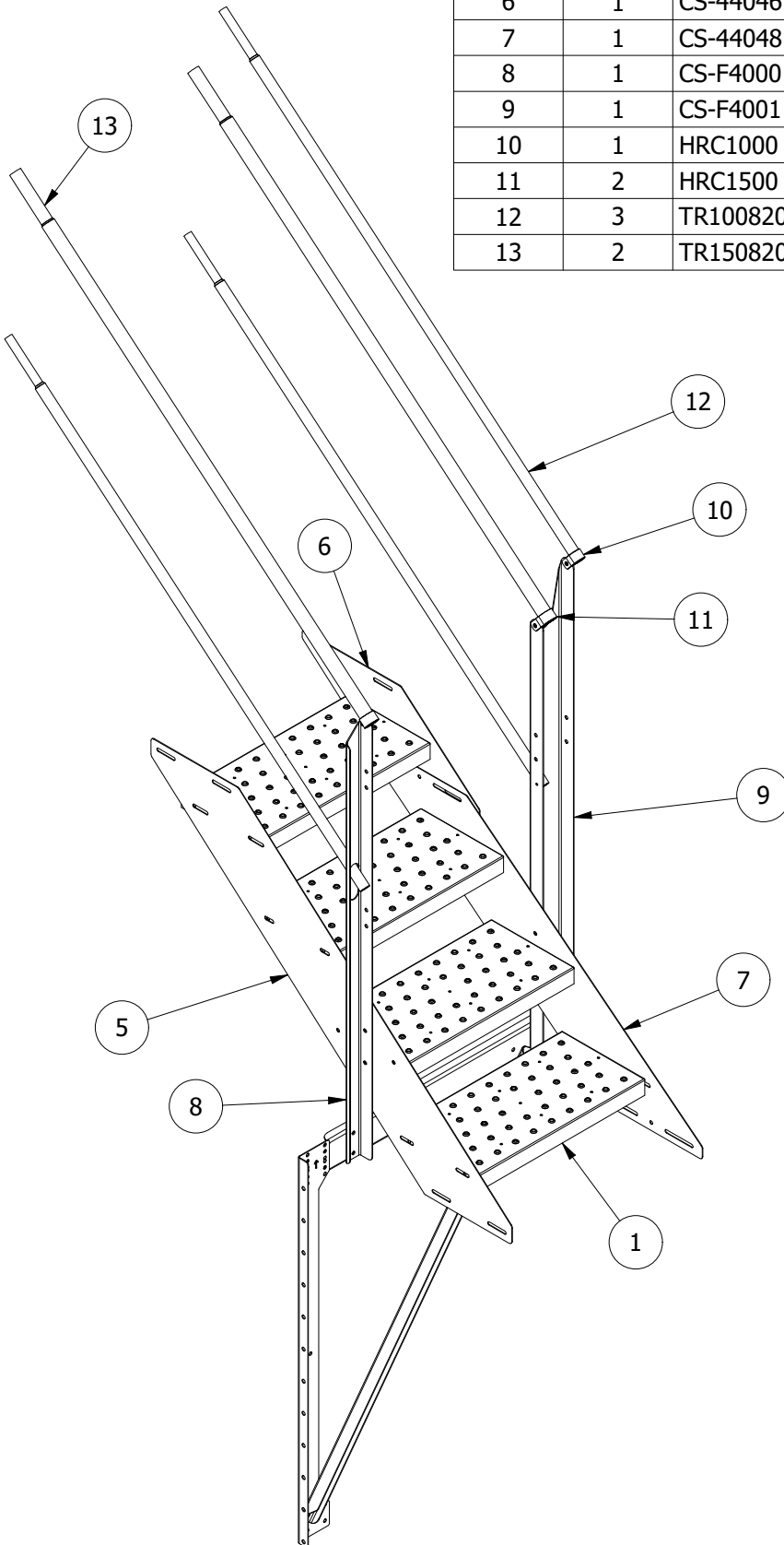


TR1008206

Parts List, CC4404
C-Series Commercial 44"
4 Step Stair Section

PARTS LIST

ITEM	QTY	PART NUMBER	DESCRIPTION
1	4	CS41224	Tread Step 24 x 12 Assemble
2	1	CS-40002	Channel, Crossbar
3	1	CS-44001	Bracket, Wall, 44" Ring
4	1	CS-44002	Channel, Brace
5	1	CS-44044	Siderail, Inside, 4 Step
6	1	CS-44046	Siderail, Outside, 1 Step
7	1	CS-44048	Siderail, Outside, 3 Step
8	1	CS-F40001	Post, Stair, Inside
9	1	CS-F40011	Post, Stair, Outside, 2 rail
10	1	HRC1000	Handrail Clamp for 1 in
11	2	HRC1500	Handrail Clamp for 1.5 in
12	3	TR1008206	82 in 1 in dia tubing 6 in Swage
13	2	TR1508206	82 in x1.5 in Railing 6 in Swage



**CC4404 C-Series
Commercial 44"
4 Step Stair Section**

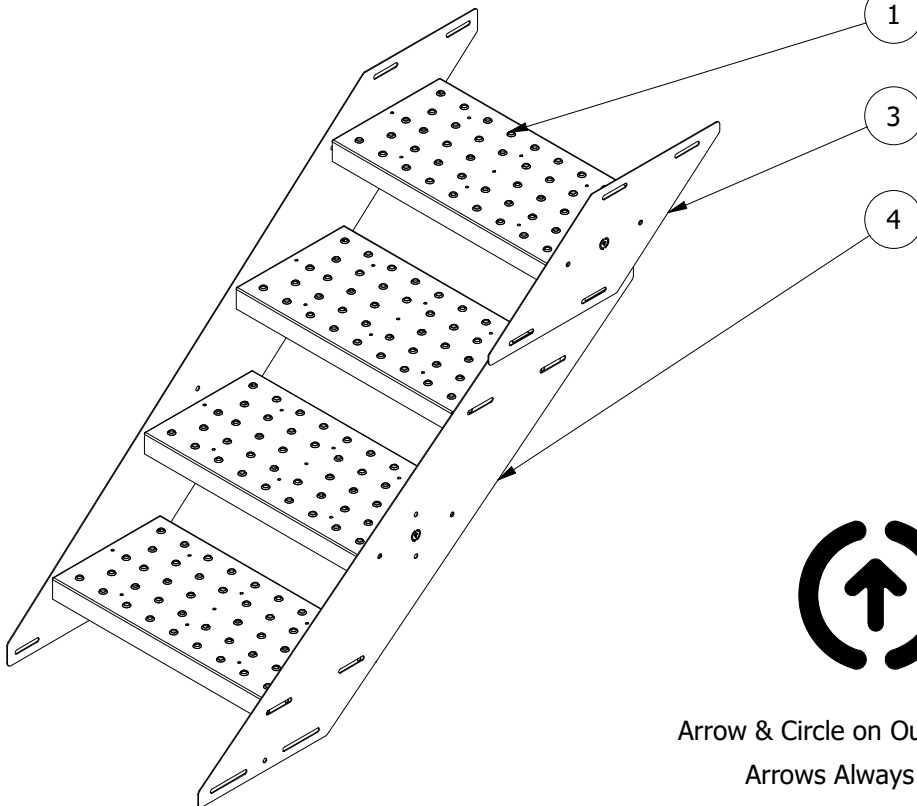
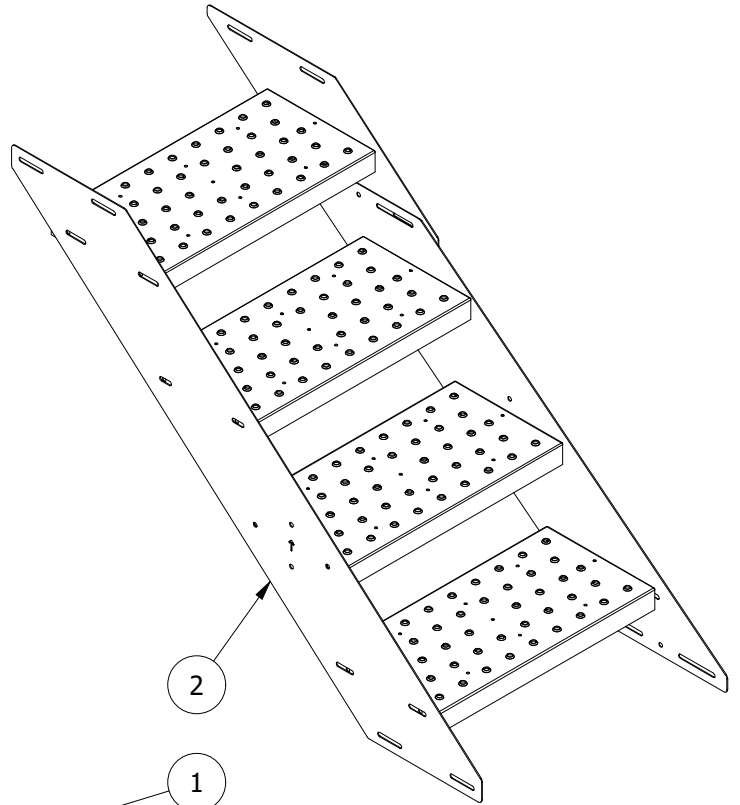
PARTS LIST			
ITEM	QTY	PART NUMBER	DESCRIPTION
1	4	CS41224	Tread Step 24 x 12 Assemble
2	1	CS-44044	Siderail, Inside, 4 Step
3	1	CS-44046	Siderail, Outside, 1 Step
4	1	CS-44048	Siderail, Outside, 3 Step

On the CC4404 stair section,
the inside siderail is a one piece 4-step,
the outside siderail is a two piece, 3-step and 1-step.

This section is used before each landing
platform

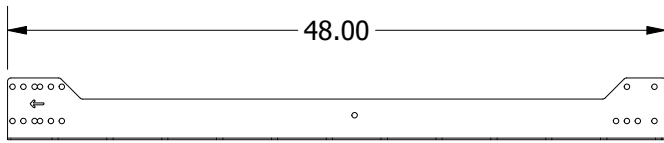


Arrow on Inside Siderails
Arrows Always Face UP

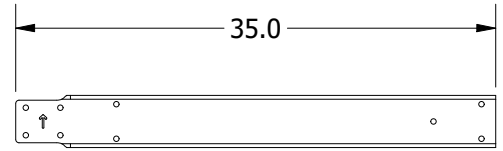


Arrow & Circle on Outside Siderails
Arrows Always Face UP

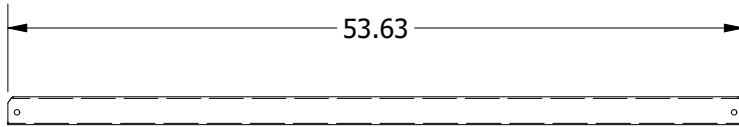
CC4404 Parts ID



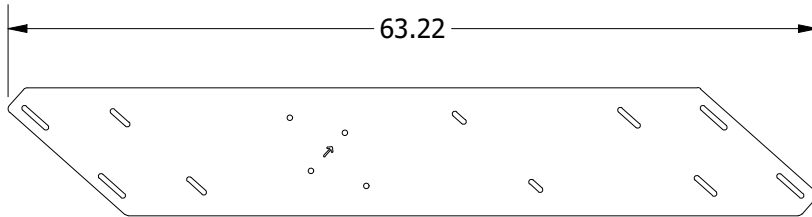
CS-44001



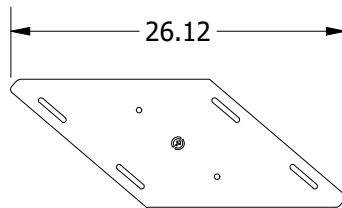
CS-40002



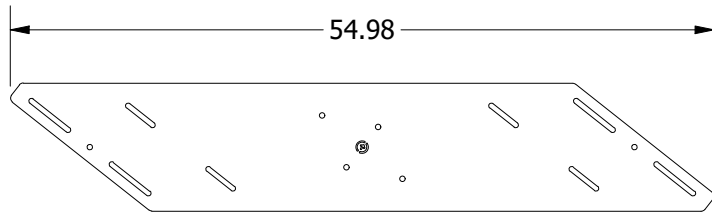
CS-44002



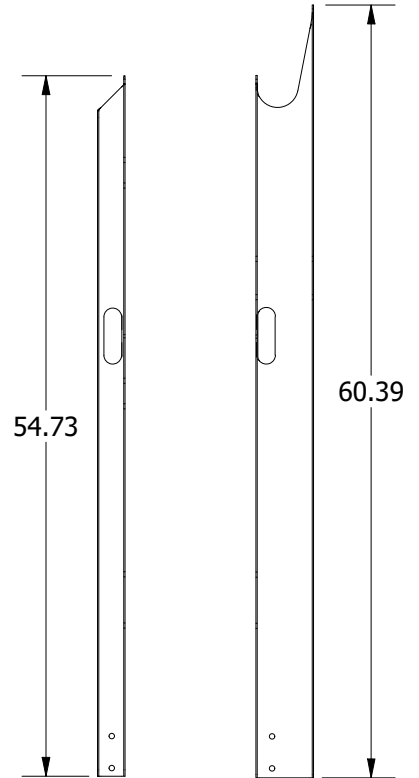
CS-44044



CS-44046

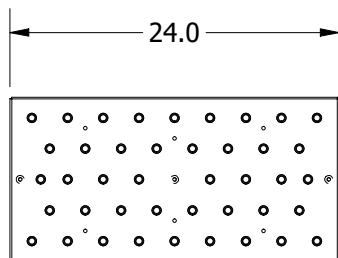


CS-44048

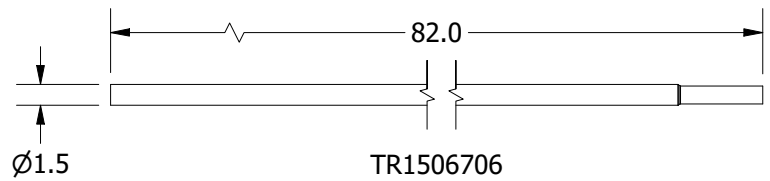


CS-40001

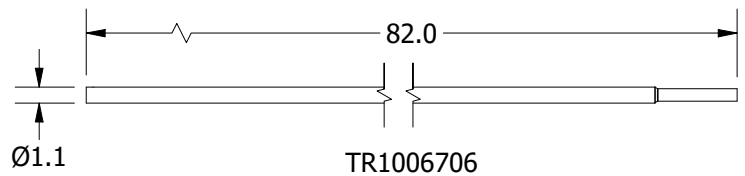
CS-40011



CS41224



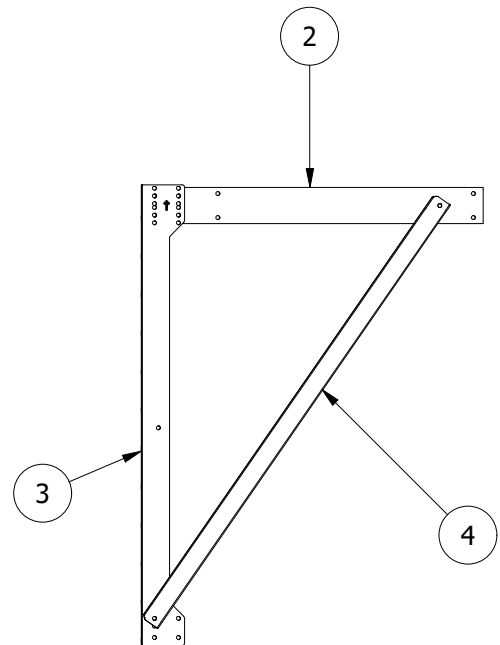
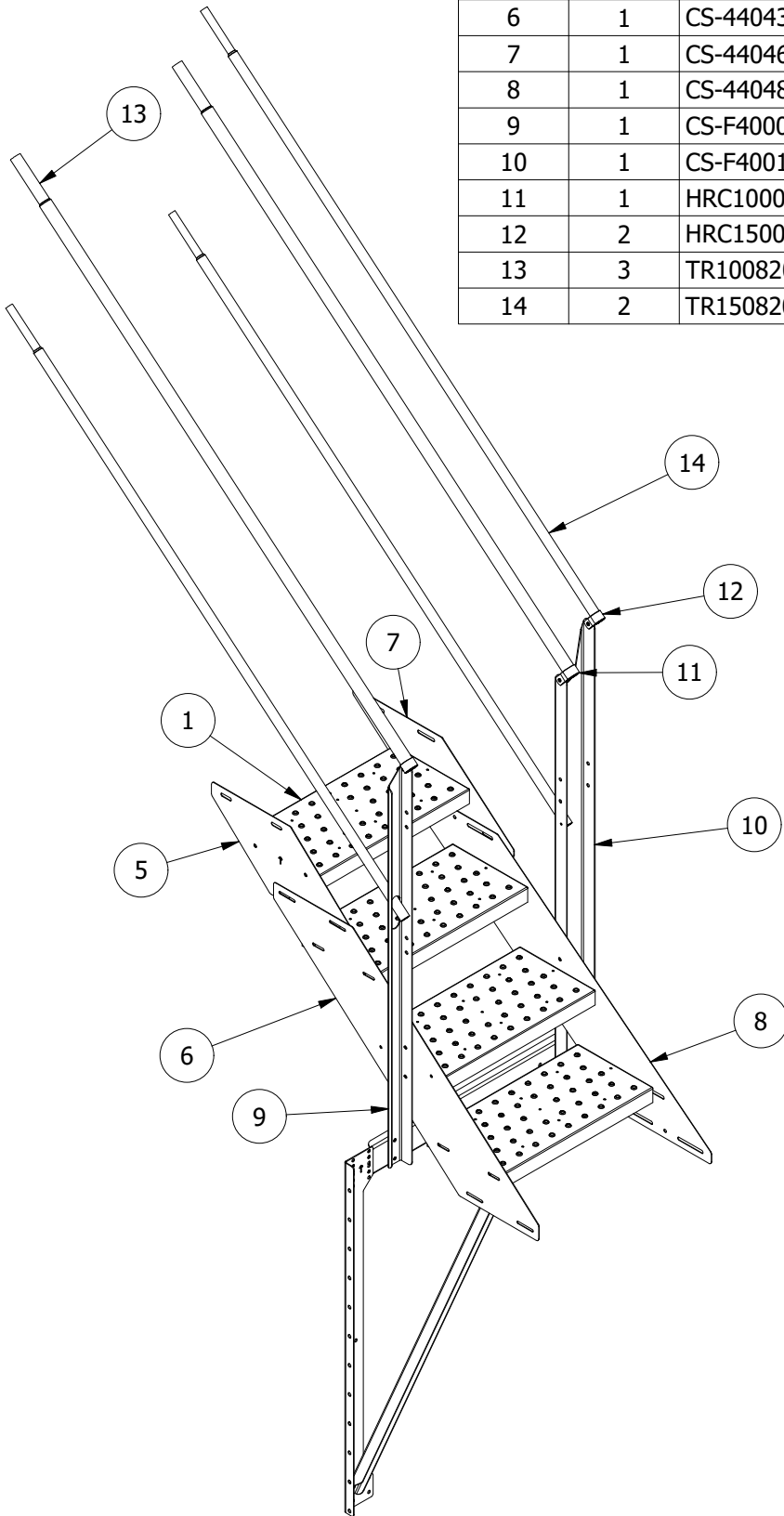
TR1506706



TR1006706

**Parts List, CC4404P
C-Series Commercial 44"
4 Step Stair Section**

PARTS LIST			
ITEM	QTY	PART NUMBER	DESCRIPTION
1	4	CS41224	Tread Step 24 x 12 Assemble
2	1	CS-40002	Channel, Crossbar
3	1	CS-44001	Bracket, Wall, 44" Ring
4	1	CS-44002	Channel, Brace
5	1	CS-44041	Siderail, Inside, 1 Step
6	1	CS-44043	Siderail, Inside, 3 Step
7	1	CS-44046	Siderail, Outside, 1 Step
8	1	CS-44048	Siderail, Outside, 3 Step
9	1	CS-F40001	Post, Stair, Inside
10	1	CS-F40011	Post, Stair, Outside, 2 rail
11	1	HRC1000	Handrail Clamp for 1 in
12	2	HRC1500	Handrail Clamp for 1.5 in
13	3	TR1008206	82 in 1 in dia tubing 6 in Swage
14	2	TR1508206	82 in x1.5 in Railing 6 in Swage



**CC4404P C-Series
Commercial 44"
4 Step Stair Section**

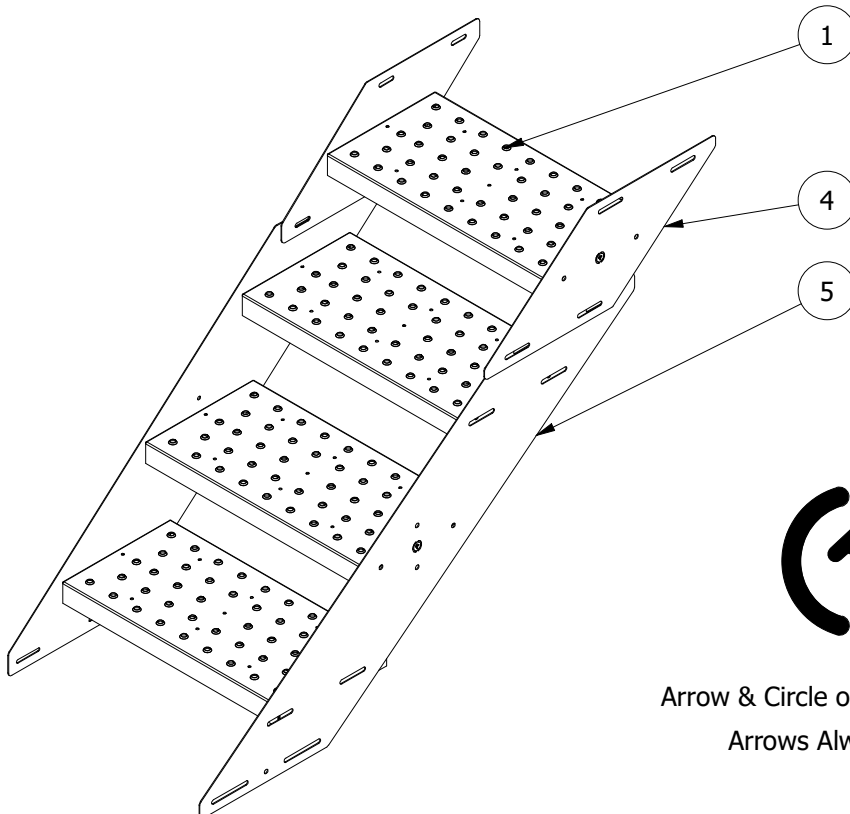
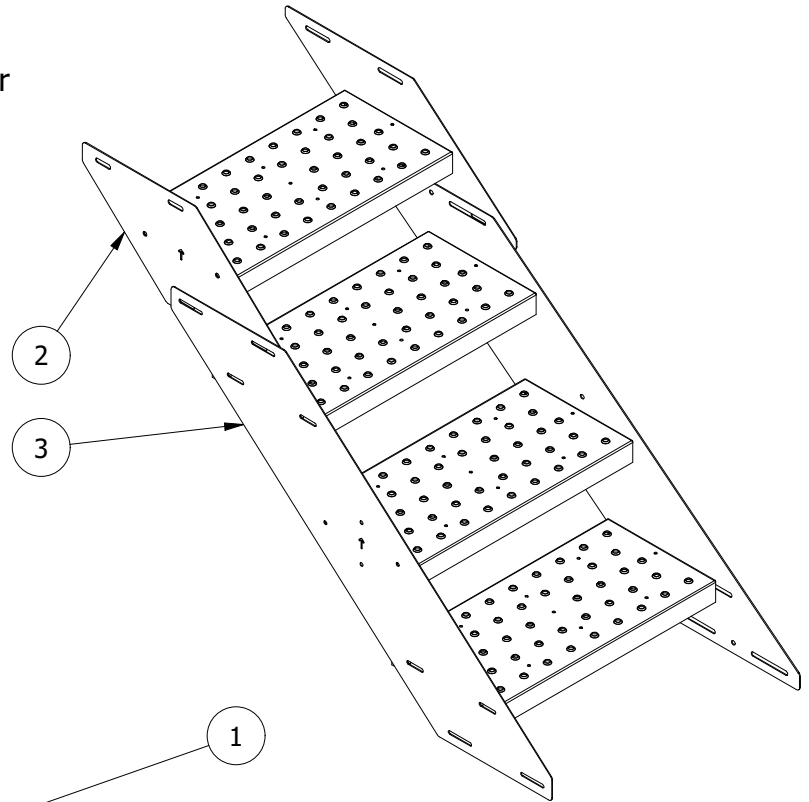
PARTS LIST			
ITEM	QTY	PART NUMBER	DESCRIPTION
1	4	CS41224	Tread Step 24 x 12 Assemble
2	1	CS-44041	Siderail, Inside, 1 Step
3	1	CS-44043	Siderail, Inside, 3 Step
4	1	CS-44046	Siderail, Outside, 1 Step
5	1	CS-44048	Siderail, Outside, 3 Step

On the CC4404P stair section,
the inside siderail is a two piece, 3-step and 1-step.
the outside siderail is a two piece, 3-step and 1-step.

This section is used to place a single step
between eave platforms and three steps after
the manhole platform



Arrow on Inside Siderails
Arrows Always Face UP



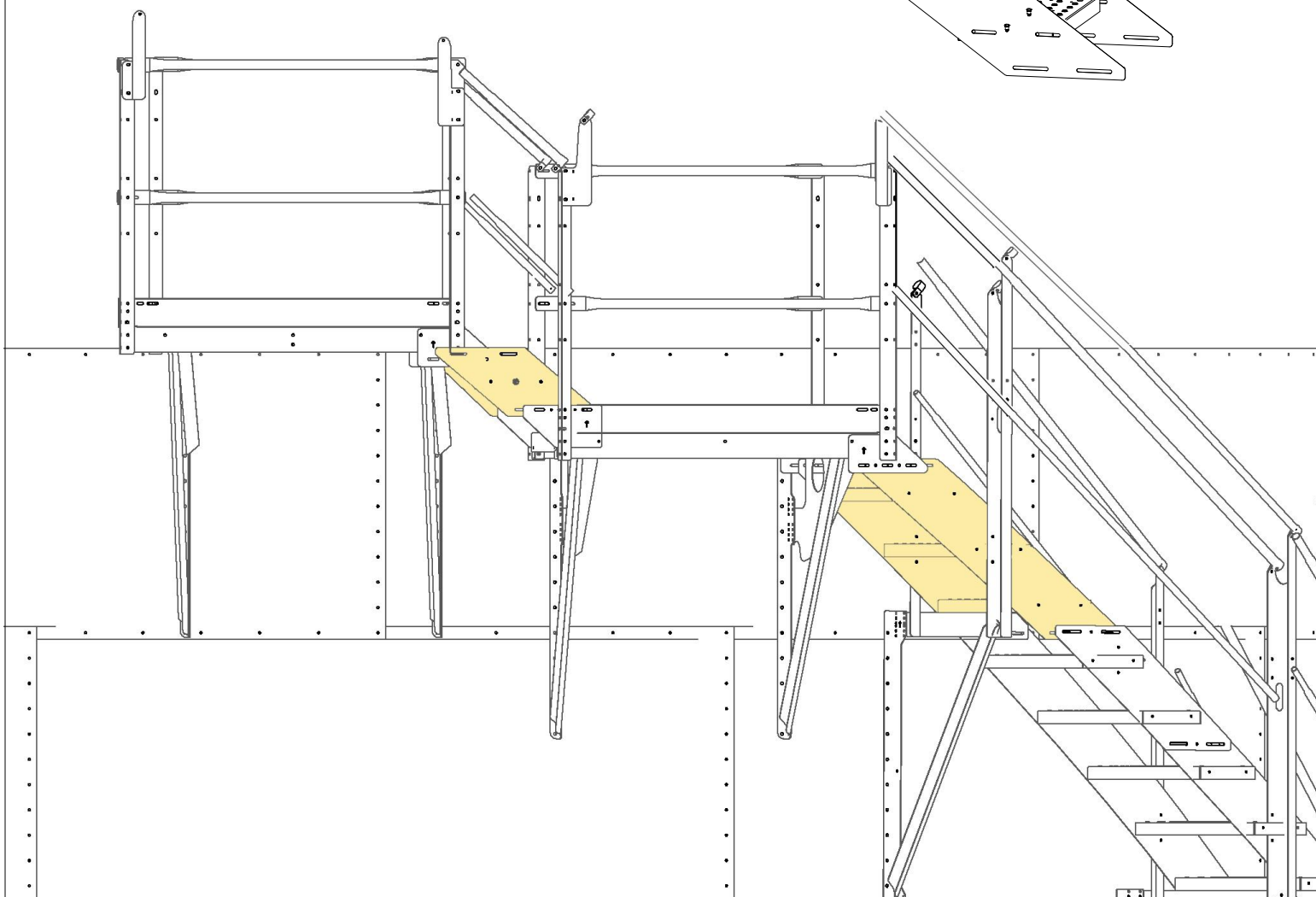
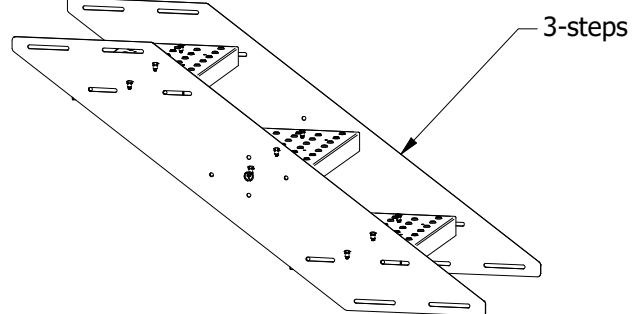
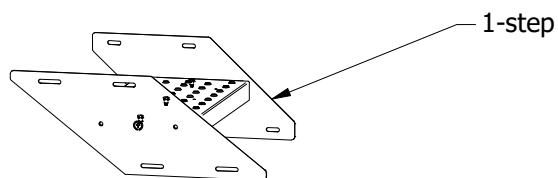
Arrow & Circle on Outside Siderails
Arrows Always Face UP

CC4400 C-Series 44" 4-step Split Platform Stair Section

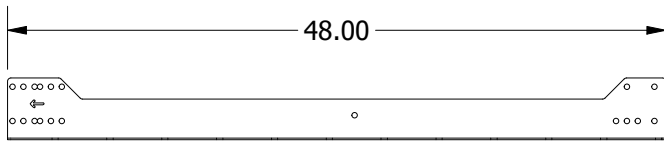
4404P visual reference

the 1-step stair section is used as a step between the platforms,

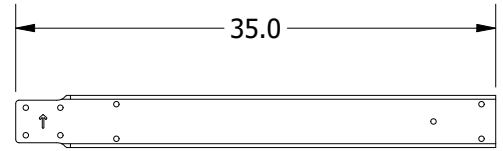
the 3-step stair section is used below the lower platform as a starter to connect the 5-step sections.



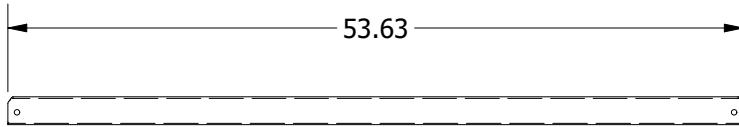
CC4404P Parts ID



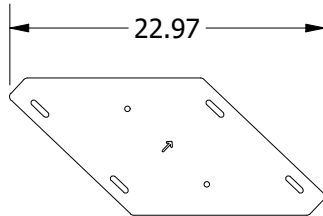
CS-44001



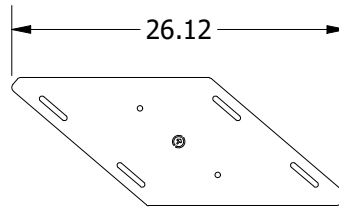
CS-40002



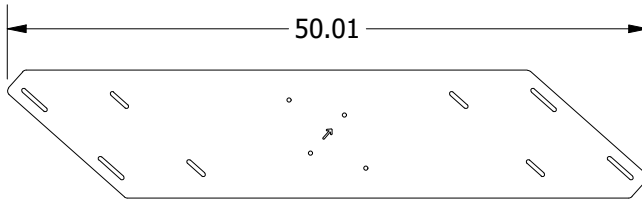
CS-44002



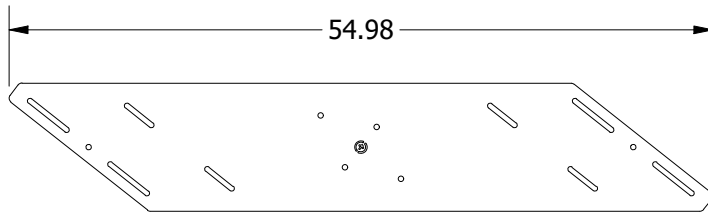
CS-44041



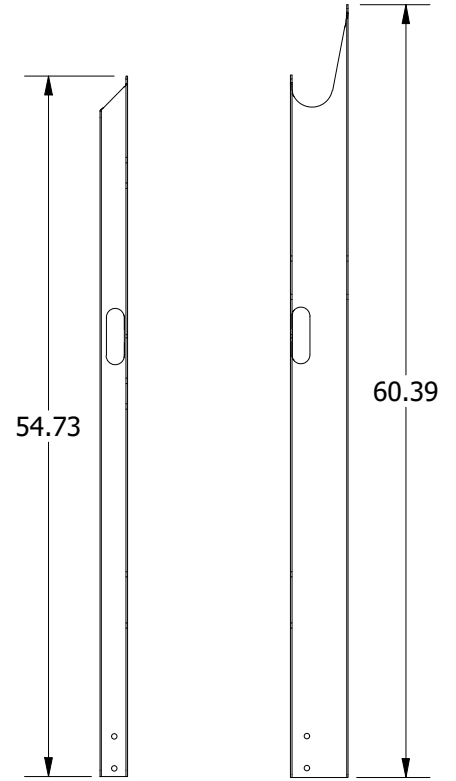
CS-44046



CS-44043



CS-44048

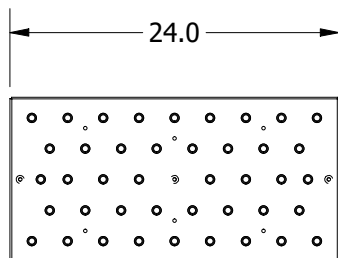


54.73

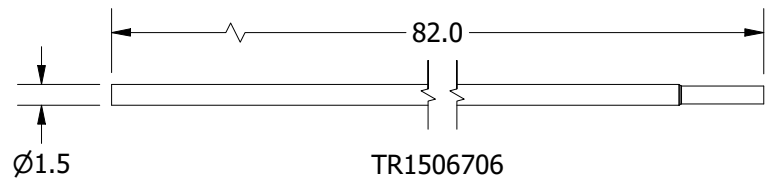
60.39

CS-40001

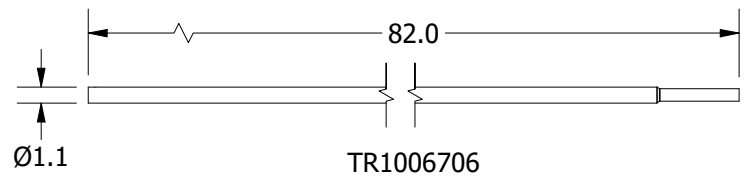
CS-40011



CS41224



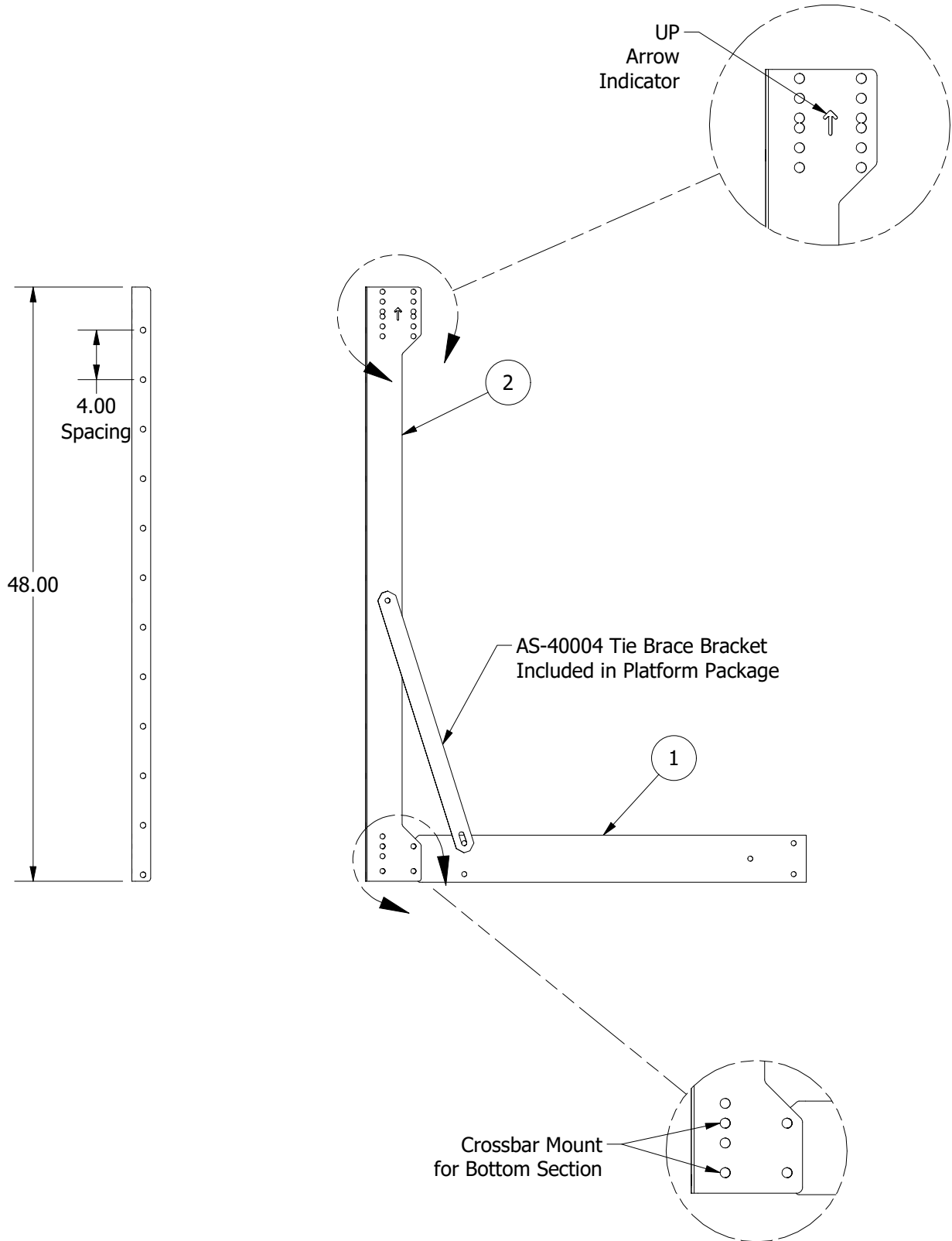
TR1506706



TR1006706

**A-Frame
Bottom Section**

PARTS LIST			
ITEM	QTY	PART NUMBER	DESCRIPTION
1	1	CS-40002	Channel, Crossbar
2	1	CS-44001	Bracket, Wall, 44" Ring



Bottom Stair Section Assembly

The AS-40004 tie brace and ART-2226 bottom end rail are included in the stair platform package.

Attach the tie brace to the inside post and field drill and bolt to the wall bracket as shown.

Install the bottom end rail into the stair handrail on both sides. Attach the flattened end to the stair post as shown.

