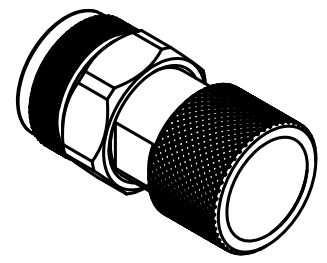
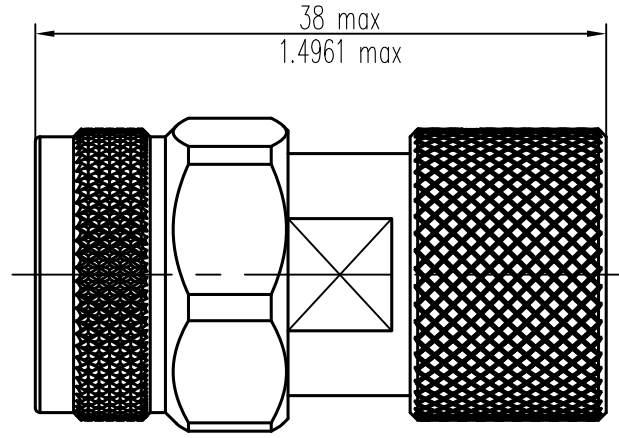


1	2	3	4	5	6
TECHNICAL SPECIFICATION		METERIAL		FINISH	
FREQUENCY RANGE	DC~18GHz	Inner conductor	Beryllium copper	Gold	
IMPEDANCE	≥5000MΩ	Insulator	PEI	—	
OPERATING TEMP	-55℃~+70℃	Body	Stainless steel 303	Passivated	
VSWR	≤1.25	Nut	Stainless steel 303	Passivated	




UNLESS OTHERWISE SPECIFIED
 1) ALL DIMENSIONS ARE AFTER PLATING.
 2) BREAK CORNERS & EDGES.005 R. MAX.
 3) CHAM. 1ST & LAST THREADS.
 4) SURFACE ROUGHNESS 63 √ MIL-STD-10.
 5) DIA S ON COMMON CENTERS TO BE CONCENTRIC WITHIN .004 T.I.R.
 6) REMOVE ALL BURRS

DRAWN:

CHECKED:

STANDARDIZATION:

APPROVED:



LANJIAN ELECTRONICS, INC

DWG.NO. N-M-OPEN	
TITLE:	SIZE 2:1
CAGE CODE:	SHEET 1/1

PROPRIETARY
 THE INFORMATION CONTAINED IN THIS DRAWING IS THE SOLE PROPERTY OF LANJIAN, INC. WITHOUT THE WRITTEN PERMISSION OF LANJIAN ELECTRONICS, INC IS PROHIBITED.

A

B

C

D

A

B

C