

Dual pole Transition Installation, Polarisation Adjustment for Antennas



Description

The Transition in conjunction with the feed assembly is designed to be mounted into the reflector of a TMW antenna.

Important

Transition to be fitted to feed assembly prior to any waveguide or feeder cable being attached to the antenna.

Notice

The installation, maintenance or removal of antenna systems requires qualified, experienced personnel. Commscope installation instructions have been written for such personnel. Antenna systems should be inspected once a year by qualified personnel to verify proper installation, maintenance, and condition of equipment. Commscope disclaims any liability or responsibility for the results of improper or unsafe installation practices.

Table 1, Parts list

Item	Description	Qty
1	O-Ring	1*
2	Transition	1
3	M8 Skt Hd Cs'K Screw	2*
4	WSHR,SPLT,M6 (3GHz & 4GHz only)	4*
5	HEX SOCK SCREW, M6 X 35mm (3GHz & 4GHz only)	4*
6	Silicon grease(tube)	1*

* Part of kit (7809275(3GHz), 7809276(4GHz), 7812492(6GHz), 7811040(7GHz), Others(7622201))

Table 2. Fastener Torque Specifications

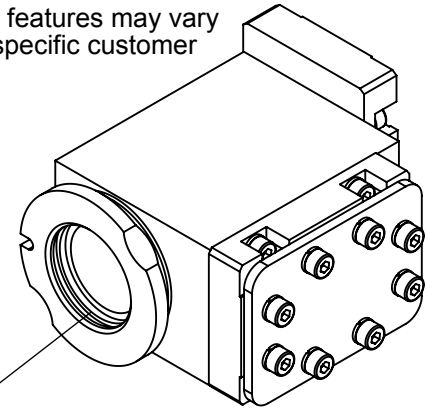
Fastener Torque value in NM (lb.ft) for each fastener size								
Size	M3	M4	M5	M6	M8	M10	M12	M16
Stainless Steel	1.0 (0.7)	2.2 (1.67)	4.5 (3.3)	7.7 (5.7)	18.7 (13.8)	39.2 (28.9)	65.1 (48.0)	161 (118.7)
Galvanised Steel	0.59 (0.44)	1.2 (0.9)	2.7 (2.0)	4.5 (3.3)	11.1 (8.1)	22.0 (16.2)	38.0 (28.0)	95.0 (70.1)

1

a

FOR 3GHz, 4GHz, 6GHz & 7GHz

External profile features may vary depending on specific customer transition



IMPORTANT NOTE

Assemble o-ring to transition and smear a small amount of silicon grease to o-ring prior to fitting transition to feed/antenna assembly

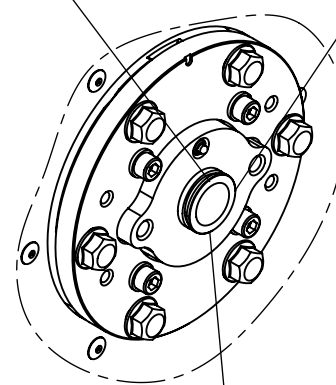
b

FOR 11GHz, 13GHz & 15GHz



Assemble o-ring in to groove in feed and smear a small amount of silicone grease to o-ring

Remove protective



Note: Method of securing feed assembly may vary, see separate feed Installation sheet

Andrew Solutions

Customer Service 24 hours

U.S.A., Canada, Mexico: 1-800-255-1479
or 1-888-235-5732
U.K.: 0800 250055
Other Europe: +44 592 782 612

www.commscope.com/andrew

Visit our Web site at www.commscope.com/andrew or contact your local Andrew Solutions representative for more information.

© 2008 Commscope, Inc. All rights reserved.

Andrew Solutions is a trademark of Commscope. All trademarks identified by ® or ™ are registered trademarks or trademarks, respectively, of Commscope. This document is for planning purposes only and is not intended to modify or supplement any specifications or warranties relating to Andrew Solutions products or services.

Notice: Andrew disclaims any liability or responsibility for the results of improper or unsafe installation, inspection, maintenance, or removal practices.

Aviso: Andrews no acepta ninguna obligacion ni responsabilidad como resultado de practicas incorrectas o peligrosas de instalacion, inspeccion, mantenimiento o retire.

Avis: Andrew decline toute responsabilite pour les consequences de procedures d'installation, d'inspection, d'entretien ou de retrait incorrectes ou dangereuses.

Hinweis: Andrew lehnt jede Haftung Oder Verantwortung fur Schaden ab, die aufgrund unsachgemäBer Installation, Überprüfung, Wartung Oder Demontage auftreten.

Atencao: A Andrew abdica do direito de toda responsabilidade pelos resultados de praticas inadequadas e sem seguranga de instalacao, inspecao, manutengao ou remocao.

Avvertenza: Andrew declina eventual! responsabilita dervanti dell'esecuzione di procedure di installazione, ispezione, manutenzione e smontaggio improprie o poco sicure.

注意: Andrew 公司申明對於不恰當或不安全的安裝、檢驗、維修或拆卸操作所導致的後果不負任何義務和責任



Dual pole Transition Installation,



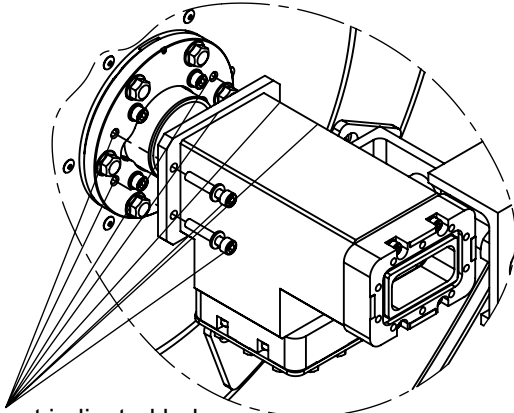
Polarisation Adjustment for Antennas

2

a

FOR 3GHz & 4GHz

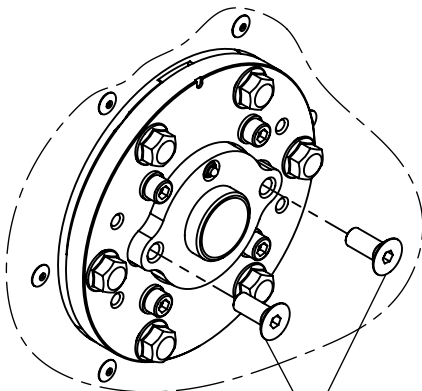
Fit Transition to antenna using 4-off M6 screws and M6 washer supplied. Then tightening to a torque of $7.7\text{Nm} \pm 5\%$.



Alignment indicated hole on adapter plate with indicated hole on transition

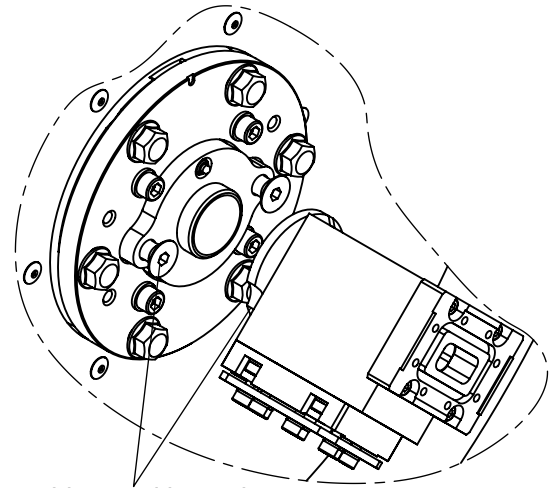
b

FOR 6GHz to 15GHz



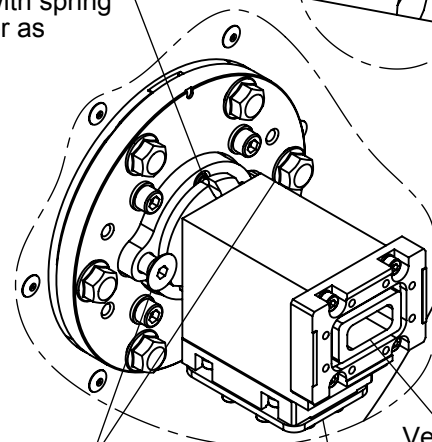
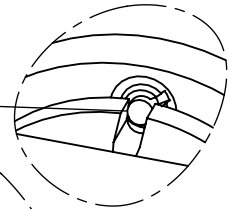
Pre-assemble 2-off M8 cs'k screws, head of screws to be flush with feed hub

3



To assemble transition, orientate cutouts to align with heads of M8 cs'k screws then twist transition counter clockwise to engage

Ensure the slot on transition align with spring plunger as shown



Tighten screws alternatively to ensure the feed hub is correctly seated inside the OMT then tighten to $10\text{Nm} \pm 5\%$

Vertical Polarization
Horizontal Polarization

Andrew Solutions

Customer Service 24 hours

U.S.A., Canada, Mexico: 1-800-255-1479
or 1-888-235-5732
U.K.: 0800 250055
Other Europe: +44 592 782 612

www.commscope.com/andrew

Visit our Web site at www.commscope.com/andrew or contact your local Andrew Solutions representative for more information.
© 2008 CommScope, Inc. All rights reserved.
Andrew Solutions is a trademark of CommScope. All trademarks identified by ® or ™ are registered trademarks or trademarks, respectively, of CommScope. This document is for planning purposes only and is not intended to modify or supplement any specifications or warranties relating to Andrew Solutions products or services.

Notice: Andrew disclaims any liability or responsibility for the results of improper or unsafe installation, inspection, maintenance, or removal practices.
Aviso: Andrews no acepta ninguna obligacion ni responsabilidad como resultado de practicas incorrectas o peligrosas de instalacion, inspeccion, mantenimiento o retire.
Avis: Andrew decline toute responsabilite pour les consequences de procedures d'installation, d'inspection, d'entretien ou de retrait incorrectes ou dangereuses.
Hinweis: Andrew lehnt jede Haftung Oder Verantwortung fur Schaden ab, die aufgrund unsachgeMaBer Installation, Uberprufung, Wartung Oder Demontage auftreten.
Atencao: A Andrew abdica do direito de toda responsabilidade pelos resultados de praticas inadequadas e sem seguranca de instalacao, inspecao, manutengao ou remocao.
Awertenza: Andrew declina eventual! responsabilita dervanti dell'esecuzione di procedure di installazione, ispezione, manutenzione e smontaggio improprie o poco sicure.

注意：Andrew 公司申明對於不恰當或不安全的安裝、檢驗、維修或拆卸操作所導致的後果不負任何義務和責任



Dual pole Transition Installation, Polarisation Adjustment for Antennas

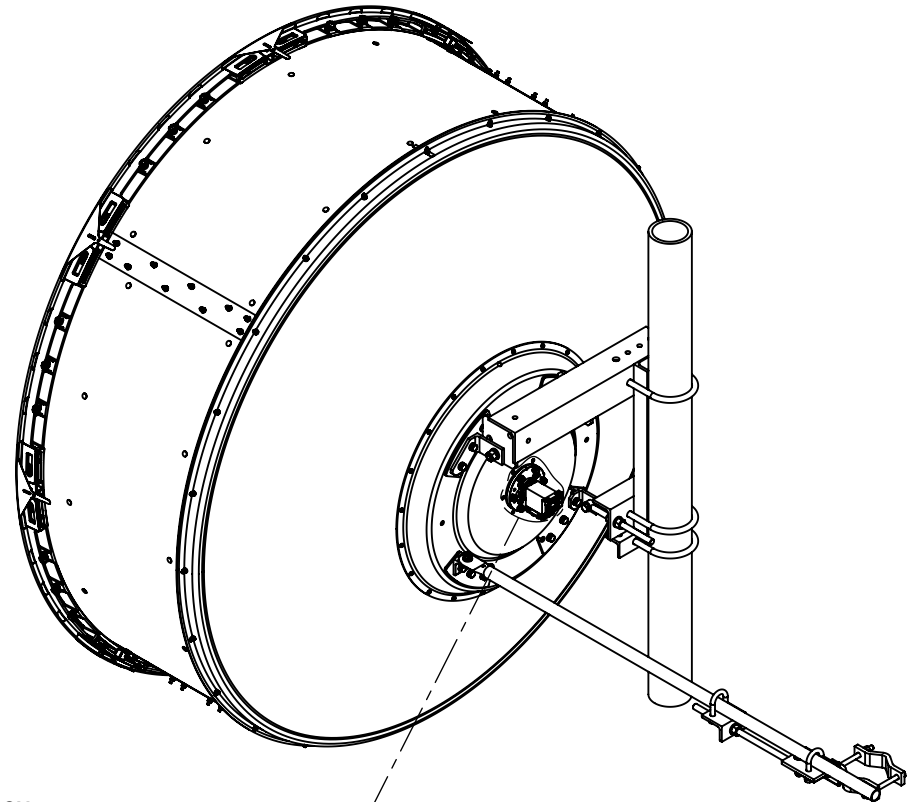


Bulletin 7813017 page 3 of 4

Version 01 Status RE Rev B

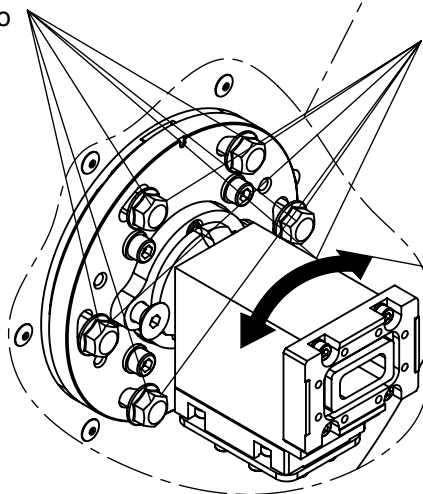
Model Version 02 Status RE Rev C

4



Loosen 6-off M8 Hex bolts 2 or 3 turns to allow rotate feed assembly

After rotated to required angle torque 6-off M8 bolts (6) to a torque of 18.7Nm \pm 5%



Rotate feed assembly \pm 5° for aligning finalization if required

Andrew Solutions

Customer Service 24 hours

U.S.A., Canada, Mexico: 1-800-255-1479
or 1-888-235-5732
U.K.: 0800 250055
Other Europe: +44 592 782 612

www.commscope.com/andrew

Visit our Web site at www.commscope.com/andrew or contact your local Andrew Solutions representative for more information.
© 2008 CommScope, Inc. All rights reserved.
Andrew Solutions is a trademark of CommScope. All trademarks identified by ® or ™ are registered trademarks or trademarks, respectively, of CommScope. This document is for planning purposes only and is not intended to modify or supplement any specifications or warranties relating to Andrew Solutions products or services.

Notice: Andrew disclaims any liability or responsibility for the results of improper or unsafe installation, inspection, maintenance, or removal practices.
Aviso: Andrews no acepta ninguna obligacion ni responsabilidad como resultado de practicas incorrectas o peligrosas de instalacion, inspeccion, mantenimiento o retire.
Avis: Andrew decline toute responsabilite pour les consequences de procedures d'installation, d'inspection, d'entretien ou de retrait incorrectes ou dangereuses.
Hinweis: Andrew lehnt jede Haftung Oder Verantwortung fur Schaden ab, die aufgrund unsachgemaBer Installation, Uberprufung, Wartung Oder Demontage auftreten.
Atencao: A Andrew abdica do direito de toda responsabilidade pelos resultados de praticas inadequadas e sem seguranca de instalacao, inspecao, manutengao ou remocao.
Awertenza: Andrew declina eventual! responsabilita dervanti dell'esecuzione di procedure di installazione, ispezione, manutenzione e smontaggio improprie o poco sicure.

注意：Andrew 公司申明對於不恰當或不安全的安裝、檢驗、維修或拆卸操作所導致的後果不負任何義務和責任



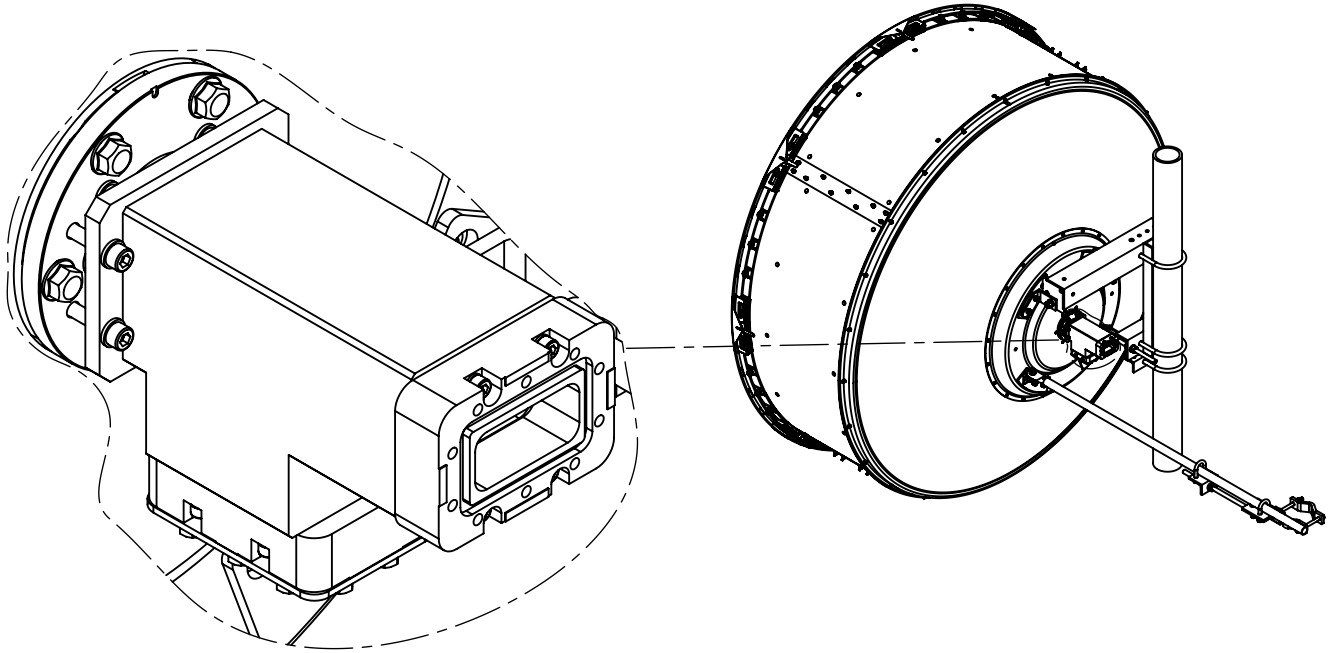
Dual pole Transition Installation, Polarisation Adjustment for Antennas



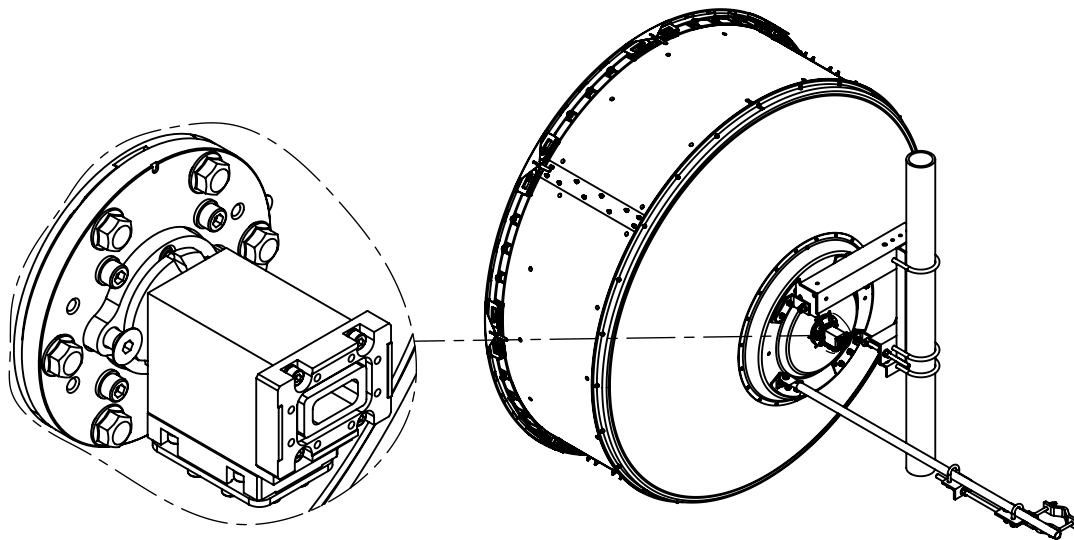
Bulletin 7813017 page 4 of 4

Version 01 Status RE Rev B

Model Version 02 Status RE Rev C



6ft 3GHz antenna assembly show for reference only



6ft 7GHz antenna assembly show for reference only

Andrew Solutions

Customer Service 24 hours

U.S.A., Canada, Mexico: 1-800-255-1479
or 1-888-235-5732
U.K.: 0800 250055
Other Europe: +44 592 782 612

www.commscope.com/andrew

Visit our Web site at www.commscope.com/andrew or contact your local Andrew Solutions representative for more information.

© 2008 CommScope, Inc. All rights reserved.

Andrew Solutions is a trademark of CommScope. All trademarks identified by ® or ™ are registered trademarks or trademarks, respectively, of CommScope. This document is for planning purposes only and is not intended to modify or supplement any specifications or warranties relating to Andrew Solutions products or services.

Notice: Andrew disclaims any liability or responsibility for the results of improper or unsafe installation, inspection, maintenance, or removal practices.

Aviso: Andrews no acepta ninguna obligación ni responsabilidad como resultado de prácticas incorrectas o peligrosas de instalación, inspección, mantenimiento o retiro.

Avis: Andrew decline toute responsabilité pour les conséquences de procédures d'installation, d'inspection, d'entretien ou de retrait incorrectes ou dangereuses.

Hinweis: Andrew lehnt jede Haftung Oder Verantwortung für Schaden ab, die aufgrund unsachgemäßer Installation, Überprüfung, Wartung Oder Demontage auftreten.

Atenção: A Andrew abdica do direito de toda responsabilidade pelos resultados de práticas inadequadas e sem segurança de instalação, inspeção, manutenção ou remoção.

Avvertenza: Andrew declina eventuale responsabilità davanti dell'esecuzione di procedure di installazione, ispezione, manutenzione e smontaggio improprie o poco sicure.

注意：Andrew 公司申明對於不恰當或不安全的安裝、檢驗、維修或拆卸操作所導致的後果不負任何義務和責任

