

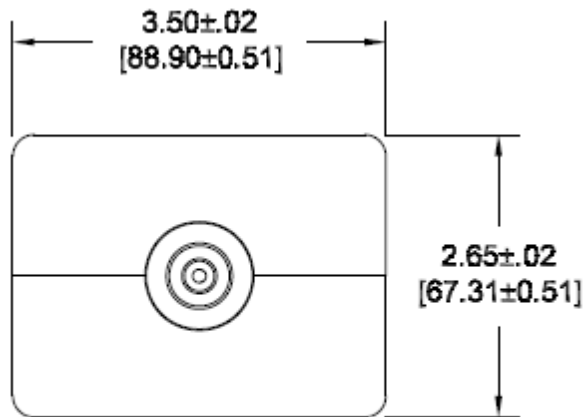
SPECIFICATIONS:

Impedance: 50 Ohm
 Frequency: DC-18 GHz
 Input Power: 50 Watts Avg. @ 25°C
 Peak Power: 500 Watts
 Operating temp. : -65°C – +125°C

Standard dB Values: 3, 6, 10, 20, 30, & 40 dB

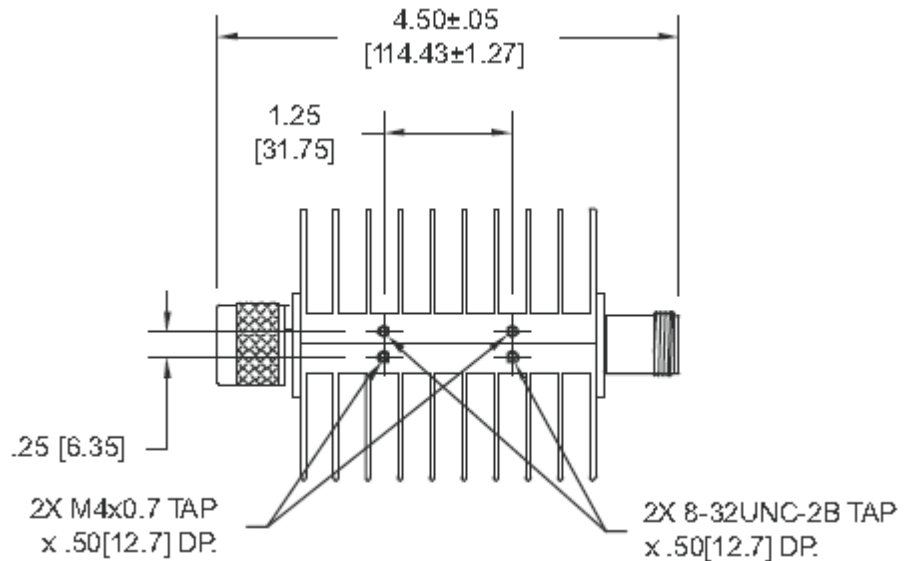
**** Units are unidirectional, therefore input connector must be specified, and will be indicated on unit. ****

Attenuation Accuracy:	DC-6 GHz	6-12.4 GHz	12.4-18 GHz
3&6 dB	±0.75 dB	±0.75 dB	±0.75 dB
10&20 dB	±0.75 dB	±0.75 dB	±1.00 dB
30 dB	±0.75 dB	±1.00 dB	±1.25 dB
40 dB	±1.00 dB	±1.25 dB	±1.50 dB



END VIEW
TYPICAL

Part	Material	Plating
Type N Connectors	Stainless Steel	Passivated
Center Contacts	Beryllium Copper	Gold
Housing	Aluminum	Anodized



Units must be mounted in such a way as to allow for free air flow around fins to insure performance.



Premier RF

17 Roslyn CT
 Patchogue, NY 11772

PH: 631-447-3804

Dimensions are for reference only, and are subject to change without notice.

PART NUMBER

PRF-AT25018-XX

DESCRIPTION

**TYPE N ATTENUATOR, M/F
 DC-18 GHz, 50 WATT**

8/23/2013

APPROVED

A. Ianacci