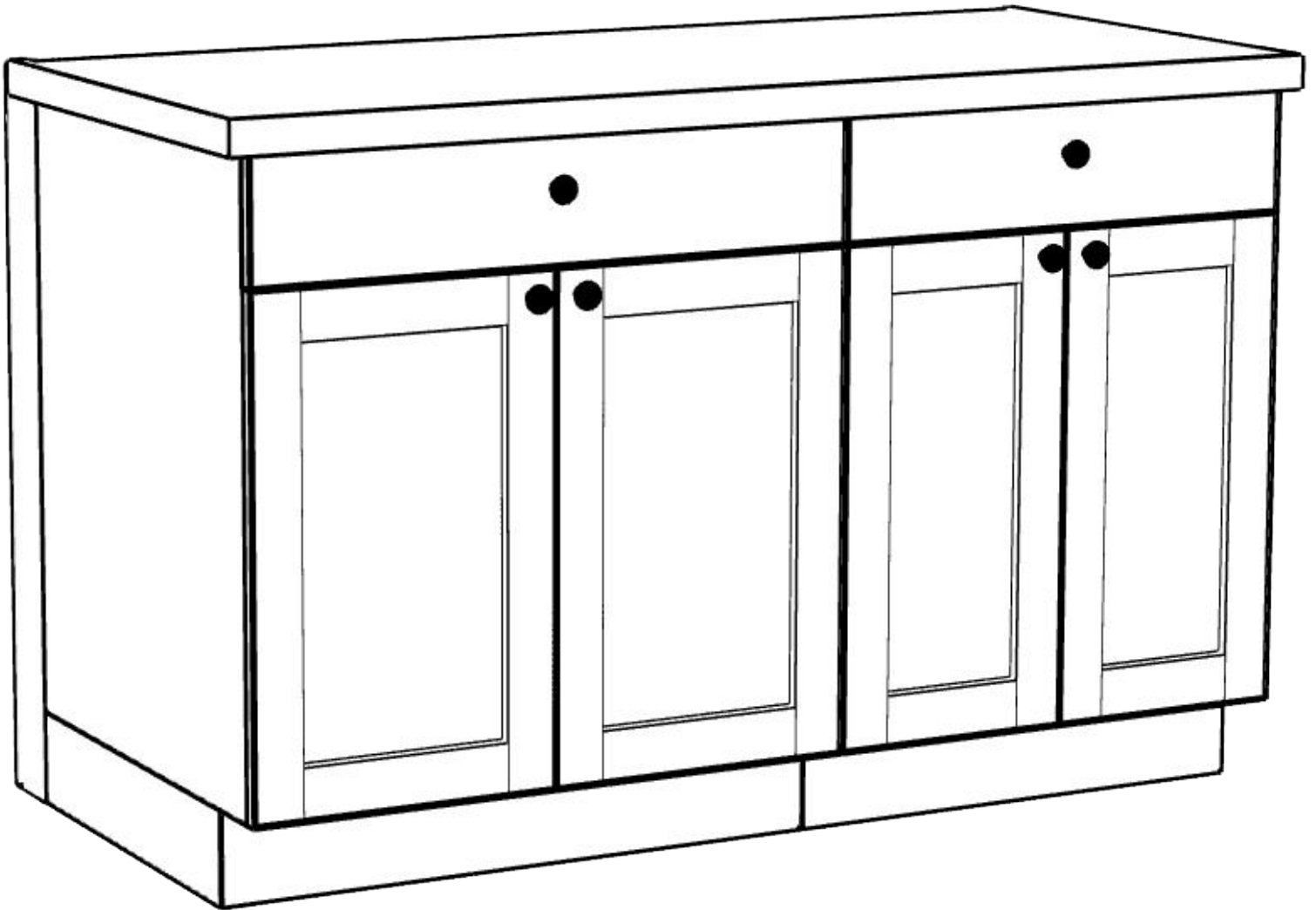
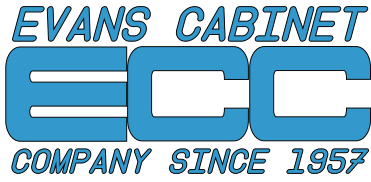


EVANS CABINET
ECC
COMPANY SINCE 1957

Delrose
The #1 Best Selling Cabinet



100% MADE IN USA
same unmatched quality
since 1957



Current Door Styles, Colors, & Species

Over 50 years ago, Clyde Evans constructed a single kitchen on his father's farm. Slowly, he built his business on the same principle he stacked his reputation and that first kitchen on, promise only what you can deliver and deliver what you promise. Evans cabinets soon became the specified favorite for multifamily dwellings, severe use HUD projects, U.S. military housing and residential dealers because of that reliability. Through the years, our manufacturing facilities have evolved to meet the ever-changing needs of our customers, the market, and our environment. One thing has remained constant, when you choose Evans Cabinet Corporation, we deliver quality you can count on for years to come.



Melrose- Shaker White



Ashley
Poplar 2511



Beadboard
Poplar 2511



Bella
Poplar 1212



Breckenridge
Poplar 2511



Lancaster
Rubberwood 3657



Plantation
Poplar 1989



Shaker
Maple 1212



Stratford
Maple 1212

other colors available on most doorstyles

1321 N Franklin Street Dublin GA 31021 | 478-272-2530 | EvansCabinet.com

EVANS CABINET
ECC
 COMPANY SINCE 1957



2572	Autum Brown	All	All
1212	Birchtone	All	All
2571	Boston	All	All
SW2850	Chelsa Gray	All	All
2226	Cherry	All	No Maple
1983	Chestnut	All	All
SW7605	Gale Force	All	All
1989	Toffee	All	All
1957	Espresso	All	Poplar
1958	Mahogany	All	Birch, Poplar, Rubberwood
1776	Natural	All	Maple & Oak
3657	Tuscany	All	All
648	Wheat	All	All
	White	All	All

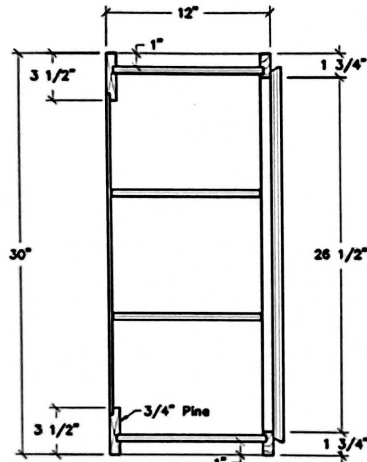
EVANS CABINET ECC COMPANY SINCE 1957

Severe Use

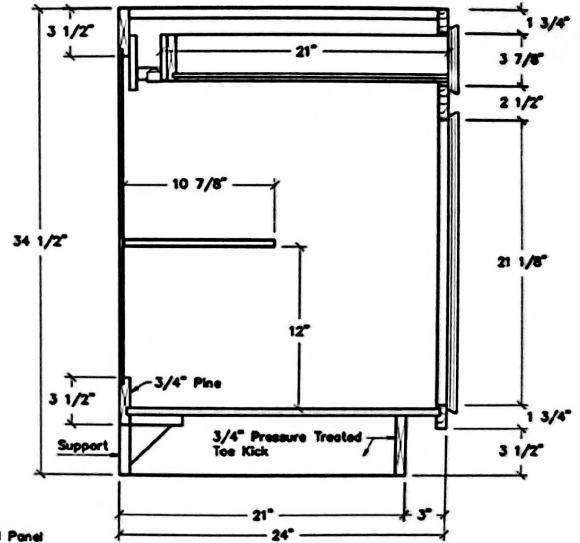
Severe Use

- Finished Ends: 1/2" Birch Ply *
- Unfinished Ends: 1/2" Birch Ply *
- Face Frames: 3/4" Poplar
- Doors: 3/4" Birch Ply * with reverse bevel
- Drawer Fronts: 3/4" Birch Ply * with reverse bevel
- Drawer Box: Dovetail
- Drawer Sides: 11/16" Pine
- Drawer Bottoms: 1/4" Birch Ply *
- Base Bottoms: 1/2" Birch Ply *
- Backs: 1/4" Birch Ply *
- Wall Tops/Bottoms: 1/2" Birch Ply *
- Base Shelves: 1/2" Birch Ply * - Fixed - EB
- Upper Shelves: 1/2" Birch Ply * - Fixed - EB
- Toe Kicks: 3/4" Pressure Treated Pine-Block
- Drawer Runners: 100 lb. epoxy
- Hinging: Wrap Around

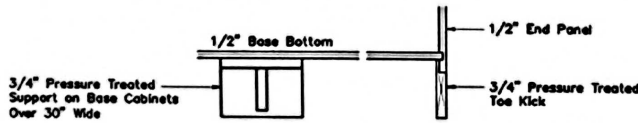
* - Exterior Grade Plywood



30" Upper Cabinet



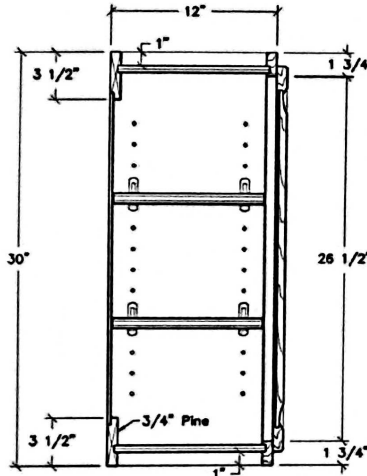
Base Cabinet



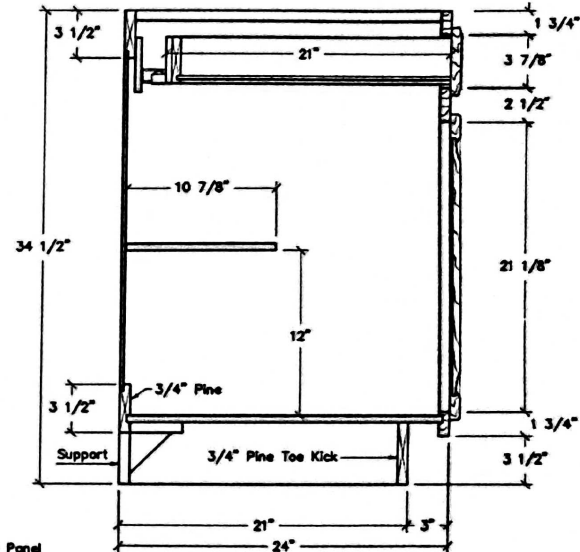
Standard All Wood

Standard All Wood

- Finished Ends: 1/2" Plywood
- Unfinished Ends: 1/2" Plywood
- Face Frames: 3/4" Poplar
3/4" Oak
3/4" Maple
- Doors & Drawers: All Door Styles
- Drawer Box: Dovetail
- Drawer Sides: 5/8" Pine
- Drawer Bottoms: 1/4" Birch Ply
- Base Bottoms: 1/2" Birch Ply
- Backs: 1/4" Birch Ply
- Wall Tops/Bottoms: 1/2" Birch Ply
- Base Shelves: 1/2" Plywood - Fixed - EB
- Upper Shelves: 1/2" Plywood - Fixed - EB
3/4" Plywood - Adjustable - EB
- Toe Kicks: 3/4" Pine
- Drawer Runners: 100 lb. epoxy
- Hinging: Concealed



30" Upper Cabinet



Base Cabinet

