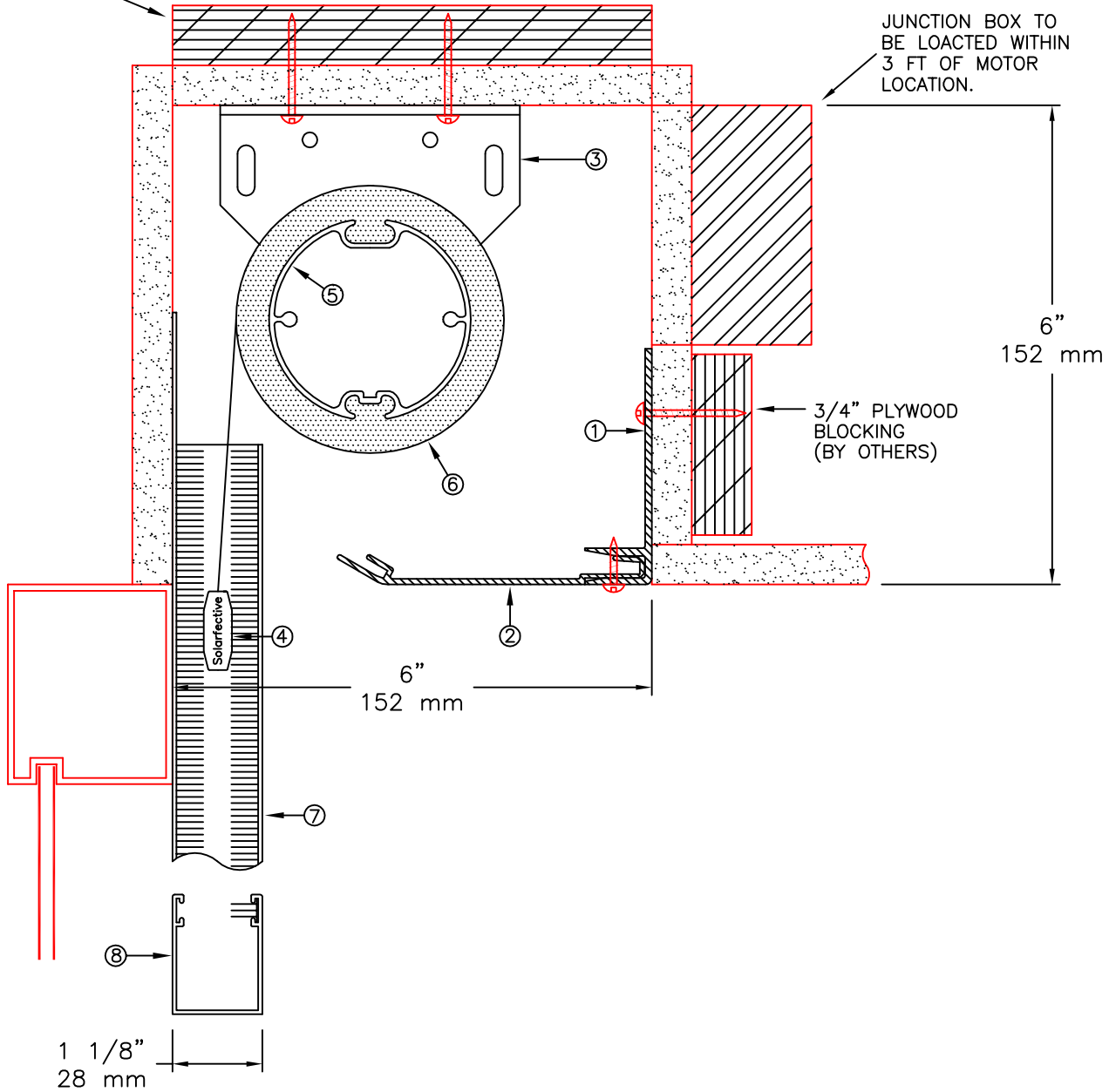


3/4" PLYWOOD  
BLOCKING  
(BY OTHERS)

DRYWALL POCKET  
(BY OTHERS)

JUNCTION BOX TO  
BE LOACED WITHIN  
3 FT OF MOTOR  
LOCATION.



**NOTES:**

1. EXTRUDED ALUMINUM HANGER
2. 4" EXTRUDED ALUMINUM CLOSURE
3. END BRACKET
4. EXTRUDED ALUMINUM EXTERIOR HEMBAR
5. 2 1/2" Ø EXTRUDED ALUMINUM TUBE
6. FABRIC: 1%, 3%, 5%, 10% OPENNESS OR BLACKOUT
7. MOTORIZED BLACKOUT SIDE CHANNELS
8. MANUAL BLACKOUT BOTTOM CHANNELS

**\*\* NOTE \*\***

JUNCTION BOX TO BE LOCATED WITHIN 3 FT OF MOTOR LOCATION. MOTOR LOCATION TO BE DETERMINED WITH SOLARFECTIVE REPRESENTATIVE.

**Solarfective**

55 Hymus Road, Scarborough  
Ontario, Canada. M1L 2C6

Tel. (416) 421-3800  
Fax. (416) 421-8424

Web Site: [www.solarfective.com](http://www.solarfective.com)  
Email: [shades@solarfective.com](mailto:shades@solarfective.com)

MOTORIZED SHADE IN POCKET  
SIDE AND BOTTOM CHANNELS  
CEILING MOUNT

PROJECT: -

DATE:  
JAN. 01, 2015

SCALE:  
N.T.S.

FILE No.  
-

DRAWN:  
ADIE

DWG. No.  
RD-8

REV  
0