

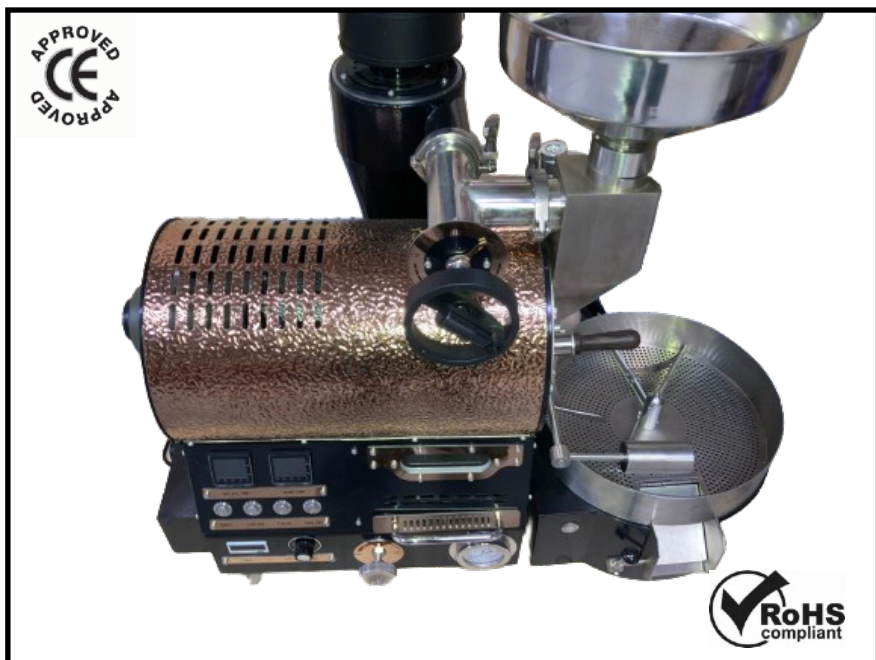
2025 BC-2 CLASSIC

BY BCROASTERS.COM

THE BEST IN CLASSIC SMALL SAMPLE & SHOP ROASTERS!

2025 MARKS SOME NOTABLE CHANGES FOR OUR SMALL BC-2 ROASTER.

THE BC-2 NOW COMES STANDARD WITH DOUBLE WALL DRUMS! WHILE YOU CAN STILL CUSTOM ORDER A SINGLE WALL MODEL WHICH WILL SAVE YOU A COUPLE HUNDRED DOLLARS WE WILL MAINLY STOCK THE DOUBLE WALL MODELS DUE TO POPULAR DEMAND. ALSO NEW FOR 2025 WE HAVE UPGRADED THE SIZE OF THE COOLING TRAY AND ADDED A HEAVY DUTY MIXING ARM SYSTEM!



BC-2 CLASSIC	GAS TYPE
Batch Size	4oz-2lb.
Roasting Time	9-14 minutes
Production	8-10lb.hr
Heat Source	NG/LPG
Voltage	220V
Wattage	160W
Drum Motor	25W
Chaff Fan Motor	45W
Cooling Fan Motor	50W
MIXING ARM	N/A
BTU	9600
NG PRESSURE	7WC
LPG PRESSURE	MAX. 16WC
Gas Consumption	0.1kg/hr .22lb HR
Roaster Dim.	810x486x710MM 32x20x30 In.
Roaster Weight	60kg./132lb.
Package Dimensions	37x26x31 (LxWxH)
Package weight	91Kg/200lb.

FEATURES

DRUM TYPE
DATA LOGGING
THERMOCOUPLES
CONTROL PANEL
MAG AIRFLOW
WARRANTY
PARTS AVAILABLE
110V CONVERTER

Single or Double wall 304SS Drum
Computer profiling via USB or BT
2 K Type for BT & ET
All information displayed on panel
Comes with MAG AIRFLOW GAUGE
1 YEAR PARTS & INSTRUCTION
10 Year Parts Available Guarantee
110V Voltage Converter included.

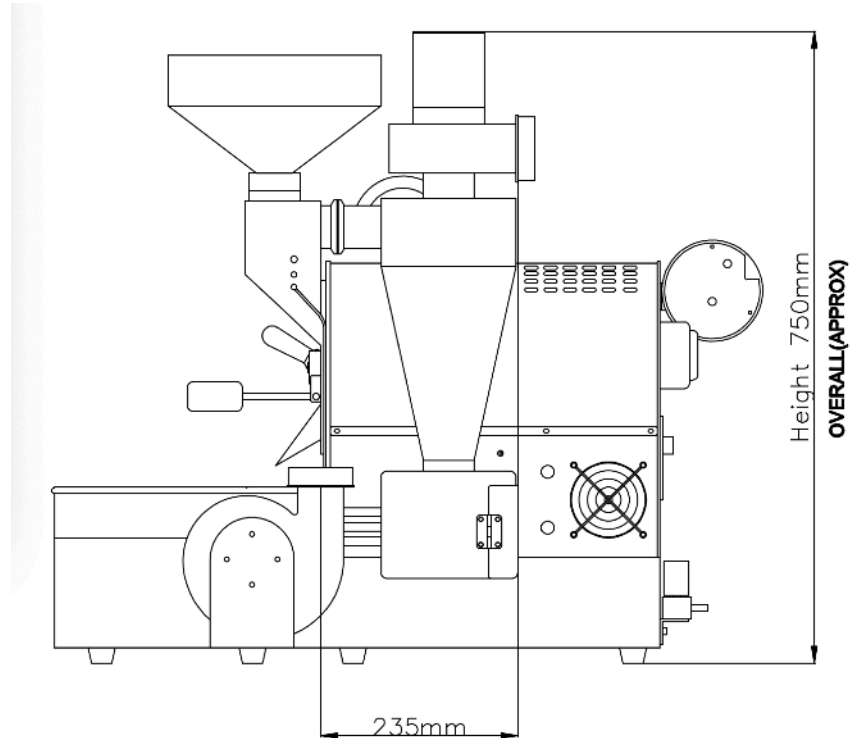
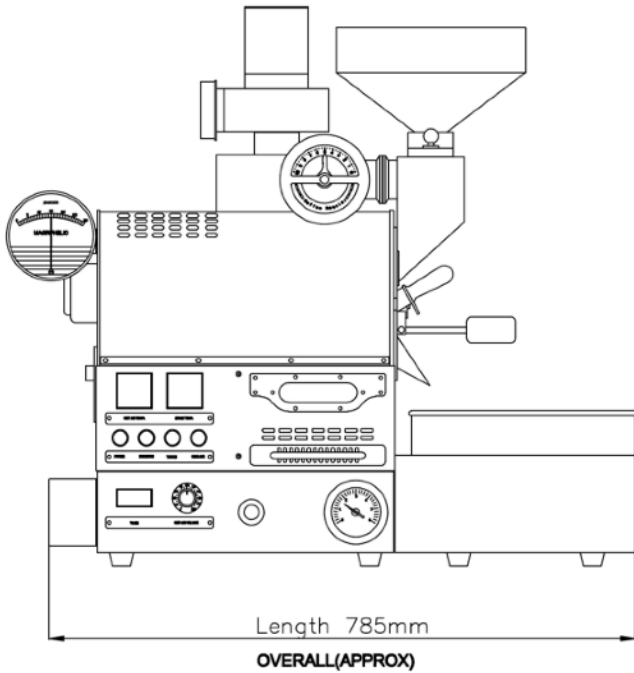
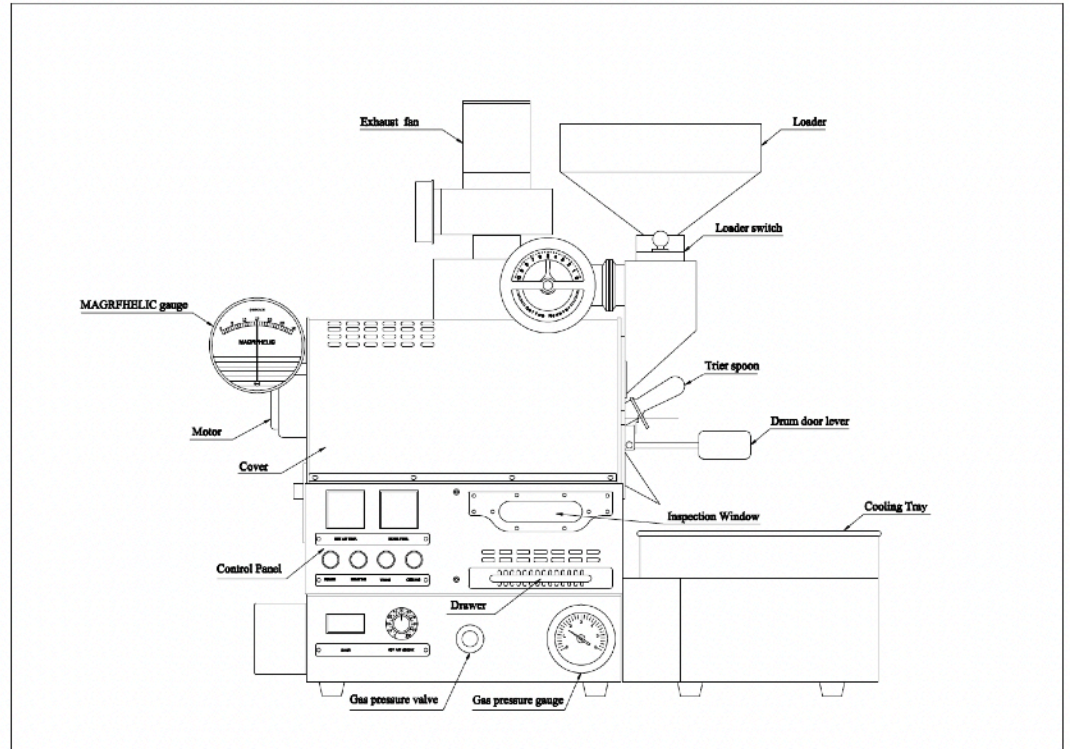
ALL COME STANDARD WITH MAG AIRFLOW GAUGE KIT

THE BC-2 IS A HEAVY DUTY ROASTER BUILT WITH A CARBON STEEL BODY & HIGH TEMPERATURE POWDER COAT BODY IN BLACK, PURPLE, WHITE OR RED . YOU CAN CHOOSE MANY HOUSING COLORS.

TWO EXHAUST PIPES COMES OFF THE BC-2 AT 3" EACH AS SHOWN BELOW AND MUST BE EXHAUSTED OUT OF BUILDING.

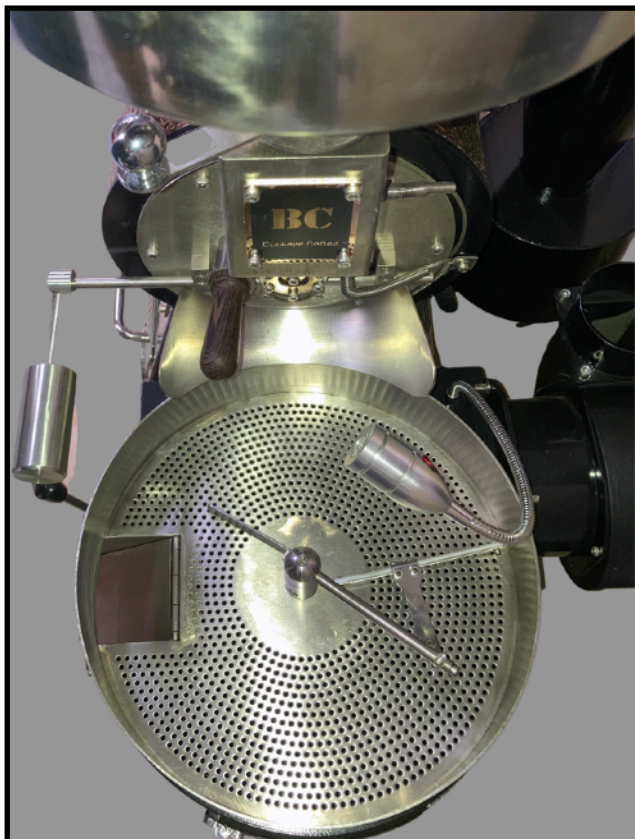
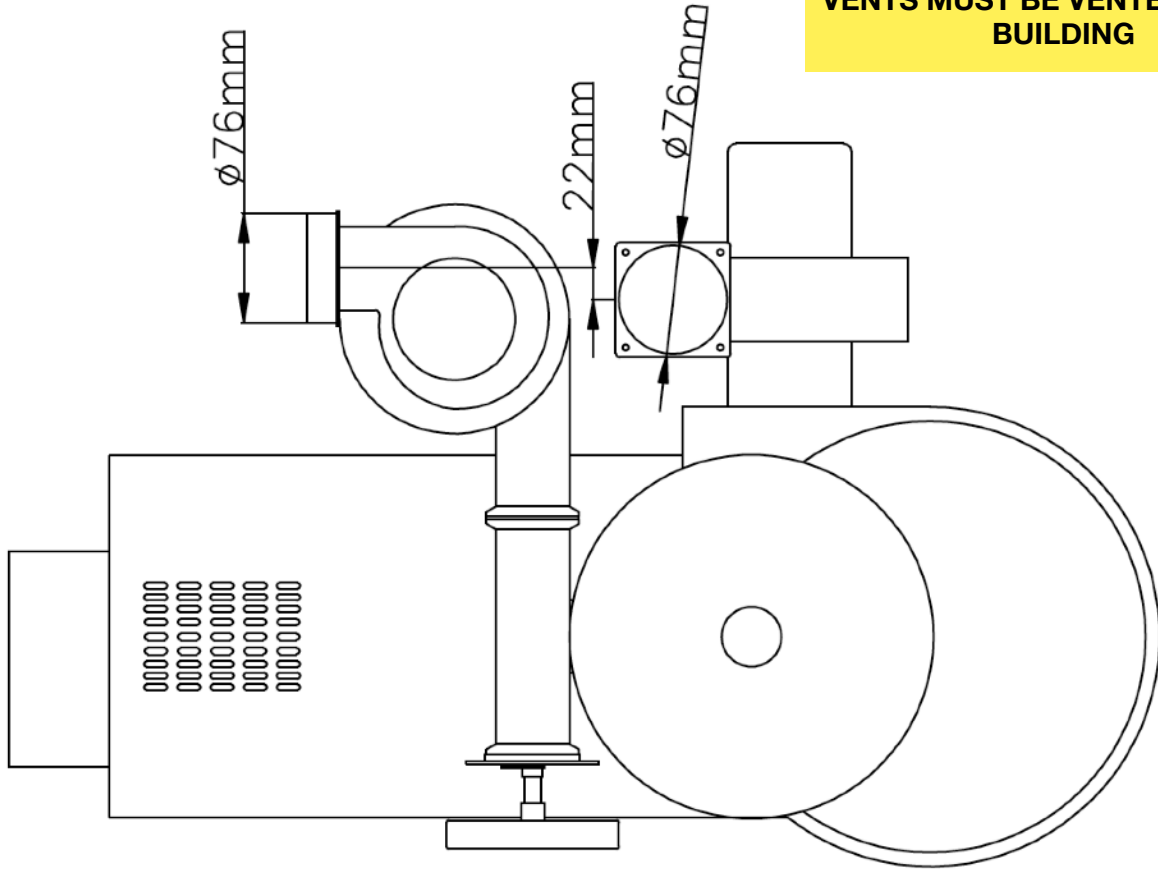
SIZE OF BC-2:

785x493x750mm
32x20x30in
(LxWxH)

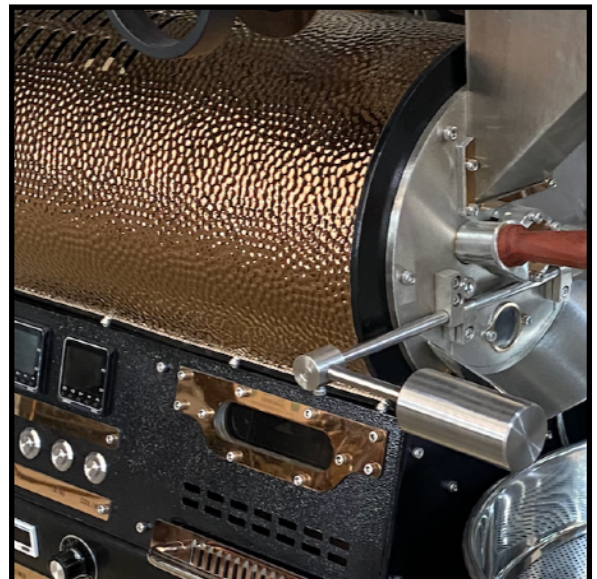


**CLEARANCE FROM ALL
COMBUSTABLE SURFACES:
12-24" SPACE ON ALL SIDES**

**TWO 3" EXHAUSTS
VENTS MUST BE VENTED OUT OF
BUILDING**



**THE 2025 MODEL ADDED FEATURES:
UPGRADED COOLING TRAY WITH
MIXING ARM SYSTEM
STANDARD WITH DOUBLE WALL STAINLESS
STEEL DRUM**



BC-2 COMMERCIAL COFFEE ROASTER

*TABLE TOP MODEL
*DIRECT CONNECT CHAFF UNIT FOR SMALLER
FOOTPRINT
*CHOICE GAS MODELS

SIZE (LxWxH)

32x19x28" (LxWxH) (INCLUDES DIRECT CONNECT
CHAFF UNIT IN MEASUREMENT)

WEIGHT

60kg./132lb.

MINIMUM CLEARANCE FROM COMBUSTABLE MATERIALS

12-24"

ROASTING CAPACITY

3 OZ UP TO 2LB.

ROAST TIME & ROASTS PER HOUR

9-14 MINUTES (4-5 ROASTS PER HOUR)

DRUM INFORMATION

SW DRUM: 3MM SUPERIOR 304SS CONTAINS 18%
CHROMIUM AND 8% NICKEL
DW DRUM: HAS TWO LAYERS OF 304SS THAT ARE
EACH 2MM WITH A 2MM AIR CUSHION BETWEEN BOTH
LAYERS. TOTAL THICKNESS 6MM

ELECTRIC STATS:

GAS MODEL: SINGLE PHASE 220V 50/60Hz 170W
REQUIRES STANDARD 15A BREAKER. A FREE 110
VOLTAGE CONVERTER IS PROVIDED WITH EACH
ROASTER TO RUN ON A TYPICAL 15A 110-120
BREAKER IN USA & CANADA

ELECTRICAL PLUG TYPE

GAS MODELS: 20A 250V 3 WIRE NEMA 6-20P

FUEL CHOICES ON GAS MODELS

LPG GAS STANDARD WITH MODELS. NATURAL GAS
CONVERSION KITS OFFERED FOR CUSTOMER
INSTALLATION ONLY.

BURNER INFORMATION ON GAS MODELS

3 HIGH EFFICIENCY BURNERS PROVIDE

BTU REQUIRMENTS

12,000-15,000 BTU MINIMUM REQUIRED FOR NG
LINE

GAS PRESSURE

LPG: 12-16WC (3-4KPA) MARSHALL 1912/197
REGULATOR RECOMMENDED
NG: 7-14WC

EXHAUST SETUP	
EXHAUST PIPE REQUIREMENTS	POSITIVE PRESSURE EXHAUST VENTING WITH MINIMUM CLEARANCE 12-24" FROM COMBUSTABLE MATERIALS
MAXIMUM VENTING LENGTHS	20' FROM CHAFF UNIT. DEDUCT 3-5' FOR 45-90 DEGREE PIPE ELBOWS. IF YOU MUST VENT AT LONGER LENGTHS CONSULT A LOCAL TECHNICIAN ON USE OF POSSIBLE BOOSTER FANS
MAXIMUM EXHAUST TEMPERATURES	425-475F
CHAFF UNIT HIGH TEMP.	300-350F
COOLING TRAY HIGH TEMP.	200F
DATA LOGGING VIA ARTISAN OR CROPSTER	BUILT IN DATA LOGGER ATTACHES TO COMPUTER (PC OR MAC) VIA USB OR BLUETOOTH
K TYPE THERMOCOUPLES	BT & ET WITH TWO ADDITIONAL PREDRILLED CAPPED THREADED HOLES TO ADD OR ADJUST LOCATION OF PROBES. 3MM THICK PROBES
MANUFACTURED IN CHINA FOR BC ROASTERS	CUSTOM BUILT FOR BC SPECS IN USA AND OVER 200 LANDS



FOR MORE INFORMATION SEE:

[BCROASTERS.COM](http://bcroasters.com)

[HTTP://WWW.BUCKEYECOFFEE.COM/BC-COFFEE-ROASTERS.HTML](http://www.buckeyecoffee.com/bc-coffee-roasters.html)

**BC ROASTERS
BUCKEYE, ARIZONA 85326
TONOPAH, ARIZONA 85354**

**TOLL FREE: 844.522.6333
INFO@BCROASTERS.COM**