

# A brief Study of Digital Signal Processing and its application of Speech Coder

Sandeep Kumar

Assistant Professor

Department of Electronics communication & Engineering (ECE), Manda Institute of Technology, Raisar, Bikaner, Rajasthan  
*sandeepverma0909@gmail.com*

Sudhir Kumar

Assistant Professor

Department of Electronics communication & Engineering (ECE), Manda Institute of Technology, Raisar, Bikaner, Rajasthan  
*sudhirpareek@gmail.com*

**Abstract**— The Digital Signal Processing (DSP) is the utilization of an digital computer to change a analog or digital signal. Commonly, the signal being handled is either temporal, spatial, or both. For instance, a audio signal is temporal, while an image is spatial. A film is both temporal and spatia [1]. Speech is an extremely extraordinary kind of signal for various reasons. The most fundamental of these is the way that speech is a non stationary signal. This gives the speech signal hard to break down and show. The second reason is that factors like clarity, soundness and other such attributes assume an imperative job in the examination of the speech signals.

**Keywords**-digital signal processing; computer; analog; signal;

\*\*\*\*\*

## I. INTRODUCTION

Anything that conveys data can be called as signal. It can likewise be characterized as a physical amount that fluctuates with time, temperature, weight or with any free factors, for example, speech signal or video signal.

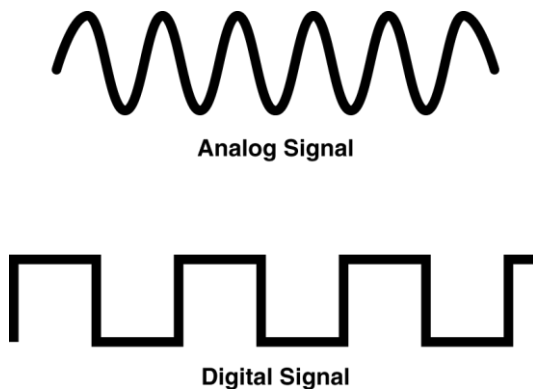


Figure 1: Analog and dital signal

The procedure of activity in which the qualities of a signal (Amplitude, shape, stage, frequency, and so on.) experiences a change is known as signal processing [2].

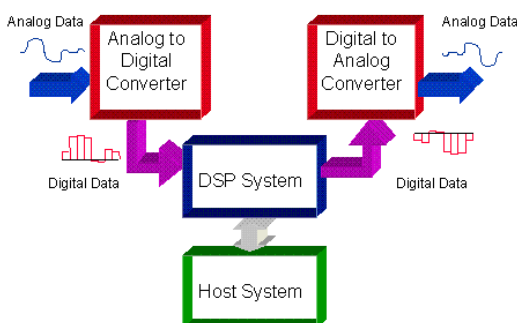


Figure 2: Basic DSP system

The DSP is a microprocessor chip with improved engineering to help handling of complex calculations at rapid in less time. DSP works on digital signal. Henceforth all this present reality signals and signals to be prepared are changed over to digital form with the assistance of ADC (Analog to Digital Converter) previously. One the preparing is finished the digital signal is changed over back to simple shape utilizing DAC (Digital to Analog Converter) according to necessities [4].

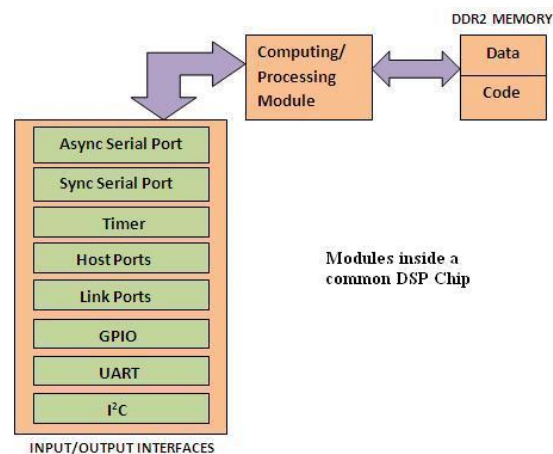


Figure 3: Module inside a common DSP chip

## II. LITERATURE REVIEW

Digital signal processing began to wind up a control around 20 years prior, despite the fact that its foundations go a lot further back. The start that produced the resulting extraordinary action was the acknowledgment that digital computer innovation was very nearly incredible jumps forward in both speed and scaling down. This made it conceivable to anticipate that analog processing devices, for example, filters and

spectrum analyzers would end up computerized and result in huge upgrades for some applications. Acoustic signals, for example, speech, seismic, and sonar signals were prime contender for computerized preparing as a result of their generally low transmission capacities. A concise history will be introduced of the advancement of this field, and its ensuing incorporation in electrical building educational module. Debate still exists on how this new section ought to be dealt with scholastically, and that subject will be talked about [5].

DSPs, digital signal processors, have made quantum jumps in execution since the 1980s, supporting the expanding information request of military and aviation applications, for example, radar, signal insight and electronic warfare. A brief review of the past is valuable in understanding where we are currently.

The early analog chips, for example, those conveyed to advertise by Texas Instruments during the 80s, worked superbly at executing settled point math activities. They were, nonetheless, hard to program, upheld just by lower-level languages.

Intel's i860, a diminished instruction set computing (RISC) gadget, took DSP to the following dimension. Utilizing C language, the i860 was simpler to program and fit for dealing with the fundamental DSP math by means of coasting point tasks. Accordingly, the i860 was broadly embraced for applications, for example, radar and signal intelligence.

Be that as it may, Intel left the defense arena temporarily because of its moderately little nearness in the digital signal processing market. What's more, Freescale - at that point Motorola Semiconductor - entered with Power Architectures and the vector motor idea, fit for performing huge measures of coasting point tasks with a solitary click of the chip clock. Marked as AltiVec, this innovation was received by numerous radar engineers for its amazing preparing power. It likewise got on for ISR, knowledge observation and reconnaissance.

At that point, because of financial aspects, Freescale exchanged concentration in the mid 2000s to media communications and different markets, and briefly quit concentrating on AltiVec. In the course of the most recent quite a long while, Intel has picked up market nearness in safeguard, while Freescale has returned with AltiVec and multicore chips.

Presently the eventual fate of DSPs seems to lie in multi-center processors, for example, Intel's Xeon. The Xeon Phi chip contains in excess of 60 processors - the likeness 15 workstations. Also, Intel's portable class processors highlight four centers with an inherent GPU, offering prime effectiveness in floating point operations per watt.

Another pattern is a mixing of customary lines of DSP innovation, to additionally quicken execution. Precedents incorporate installing field programmable door exhibits (FPGAs) into other chip designs and adding ARM centers to GPU processors and FPGAs, making the GPUs and FPGAs increasingly self-sufficient.

More memory additionally is coming locally available chips. Before, kilobytes and after that megabytes were put into store, and now gigabytes will seem ok on the chip pass on, massively diminishing inertness.

Technology continues on a course to expand execution in less space and with less power. Contact a Curtiss-Wright representative to enable you to pick up the most from these advances and execution per unit of power [6].

### III. COMPONENTS OF DIGITAL SIGNAL PROCESSOR

A DSP contains four key components which include;

- **Compute machine:** This plays out the numerical manipulations. It gets to an assignment or program from the Program memory and the information from Data memory.
- **Data Memory:** This where the data to be handled is put away. This part works couple with the program memory.
- **Program memory:** The program memory stores the projects or undertakings to be utilized by the DSP in processin, compressing or controlling information.
- **Input/Output:** I/O can be used for numerous things depending on where the DSP is being used. It can be used for timers, serial ports, external ports and for connection to the outside world.

### Analog-to-Digital Converter (ADC) and Digital-to-Analog Converter (DAC)

Electrical and electronic segments are utilized in numerous features of our day by day lives. ADCs and DACs are basic segments in a DSP in any fields. The two are essential for in the change of certifiable flags in order to enable computerized hardware to get analog signals and process them.

### IV. ADVANTAGE OF DIGITAL SIGNAL PROCESSING

- In DSP the digital system can be fell with no stacking issues.
- In this digital circuits can be duplicated effectively in huge amounts at relatively bring down expense.

- The digital circuits are less touchy to resistances of segment values
- These are effectively transported on the grounds that the digital signal can be handled disconnected.
- Digital signal processing activities can be changed by changing the program in computerized programmable framework.
- It has a superior control of exactness in digital systems contrasted with analog systems.
- Sophisticated signal processing algorithms can be actualized by DSP strategy.
- Digital signals are effectively put away on magnetic media, for example, attractive tape without loss of nature of multiplication of signal [3].

#### V. DRAWBACKS OR DISADVANTAGES OF DIGITAL SIGNAL PROCESSING

Following are the disadvantages of DSP:

- The utilization of DSP requires anti-aliasing filter before ADC and re-development filter after DAC. Additionally it requires ADC and DAC modules. Because of utilization of this additional segments complex of DSP based equipment increments.
- DSP processes signal at rapid and in addition it comprises of higher inside equipment assets. Because of this, DSP disperses higher power contrast with analog signal processing. Analog processing comprises of passive components (R, L and C) which disseminate bring down power.
- The equipment models and programming directions of each DSP are extraordinary. This requires preparing on the DSP so as to program for different applications. Consequently just profoundly gifted architects can just program the gadget.
- Most of the DSP chips are expensive and subsequently one needs to utilize the suitable IC according to necessities (hardware,software) [4].

#### VI. APPLICATION OF DIGITAL SIGNAL PROCESSING

Digital signal processing has a wide variety of applications, including:

- Audio and video compression (the quality depends on the sampling rate chosen - higher sampling rate = higher quality. The file size can be compressed by applying source coding, such as Huffman coding.)

- Audio signal processing (example: applying a low pass or bandpass filter to reduce external noise from an audio recording)
- Image processing (example: using FFT, filtering and inverse FFT in order to remove noise from an image)
- Medical applications (example: applying a histogram equalization to enhance an x-ray image) [7].

#### VII. SPEECH CODER

Speech is created by excitation of an acoustic cylinder, called the vocal tract. Our vocal tract begins from the glottis and is ended by our lips. Voiced sounds (for example "an" or "e") are delivered because of vibration of vocal lines, which creates semi-intermittent beats of wind stream that energize the vocal tract. This is the reason voiced sounds in human speech are occasional in nature. In spite of the fact that a voiced sound may at first take after an irregular commotion, an adequately little example will uncover its occasional nature. It is this example that vocoders attempt to concentrate and use to create the computerized portrayal of discourse. The frequency of this example is normally referred to as the pitch of speech.

Unvoiced sounds (for example "s" or "f") are created by choking the vocal tract and driving air through the tightened territory. Air going through the choked zone makes disturbance and produces a noise like excitation. This is the reason unvoiced sound waveforms are particularly similar to irregular noise. Truth be told irregular commotion generators can be utilized to repeat unvoiced sounds.

These sources give a wide-band excitation to the vocal tract. The vocal tract can be displayed as a gradually time-changing channel that forces its frequency transmission properties upon the range of the excitation. On account of a digital filter, the coefficients of the filter would attempt to demonstrate the vocal tract parameters as intently as could reasonably be expected.

Speech coders are named vocoders (voice coders). Vocoders outline signals onto a scientific model of the human vocal tract. Rather than transmitting effectively quantized Speech samples, voice encoders transmit display parameters. The decoder applies the got parameters to an indistinguishable numerical model and produces an impersonation of the first speech. The way toward deciding model parameters is called investigation and the way toward creating speech from the picked parameters is called synthesis.

Vocoder sound quality fluctuates enormously with the information signal since vocoders depend on a vocal tract demonstrate. signal from sources that don't fit the model might be coded inadequately, bringing about lower-quality signal reproduction after decompression.

Vocoders accept that the excitation sources and the vocal tract shape are moderately free. The time-varying filter models

the vocal tract. In any case, the vocal tract changes shape rather gradually, so it is sensible to accept that the filter is time-invariant for brief timeframes (for example 12mS). Voiced sounds are created by an intermittent excitation whereupon the spectra attributes of the vocal tract modeler are forced. Unvoiced sounds utilize an arbitrary clamor generator as the wellspring of the excitation, however the ghastrly attributes of the vocal tract modeler are as yet forced on them. Each time, the vocal tract modeler (the filter) may force different spectral attributes on the wellspring of the excitation [8].

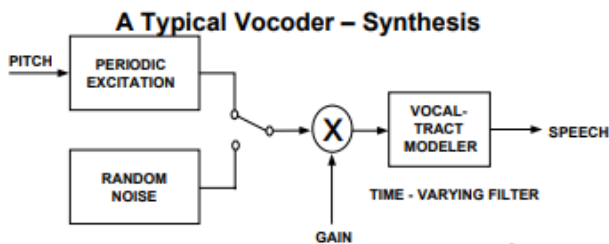


Figure 4: Vocoder

### VIII. CONCLUSION

Electrical signals are all over, since they are utilized in communications, in diversion gadgets, in estimating instruments, in imaging gadgets, in control frameworks, and in PCs. Such signals are of two kinds: analog, where the signs are conveyed by constantly fluctuating amounts, and digital, where the signs are limited to a limited arrangement of discrete qualities (regularly only two, symbolized by 0 and 1) [9]. Beginning during the 1960s, digital signal processing (DSP), accepted a focal job in speech studies, and today DSP is the

way to understanding the products of the information that has been increased through many years of research [10]. In this paper we have studied about basic overview of digital signal processing and its application in speech coder.

### IX. REFERENCES

- [1] Prof. Dan Cobb, "ECE 431 Digital Signal Processing Lecture Notes", page no. 2..
- [2] [https://www.tutorialspoint.com/digital\\_signal\\_processing/dsp\\_signals\\_definition.htm](https://www.tutorialspoint.com/digital_signal_processing/dsp_signals_definition.htm).
- [3] Technical Editor, Electronics Articles , "Advantages and disadvantages of digital signal processor (DSP)", 26 Apr 17.
- [4] <http://www.rfwireless-world.com/Terminology/Advantages-and-Disadvantages-of-DSP.html>.
- [5] Bernard Gold,"History and some applications of digital signal processing",The Journal of the Acoustical Society of America 73, S51 (1983); <https://doi.org/10.1121/1.2020431>,12 August 2005.
- [6] MARC COUTURE, "History and Future of Digital Signal Processors", OCTOBER 27, 2014.
- [7] Cindy Lau, new grad, studied EE, "What are the applications of digital signal processing?", Nov 4, 2015.
- [8] <http://yildiz.edu.tr/~kunal/DSP2.pdf>.
- [9] [https://ethw.org/Digital\\_Signal\\_Processing](https://ethw.org/Digital_Signal_Processing).
- [10] Lawrence R. Rabiner, Ronald W. Schafer, "Introduction to Digital Speech Processing", Volume 1 Issue 1–2, 2007.