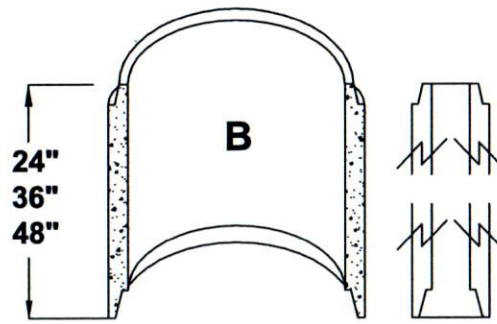
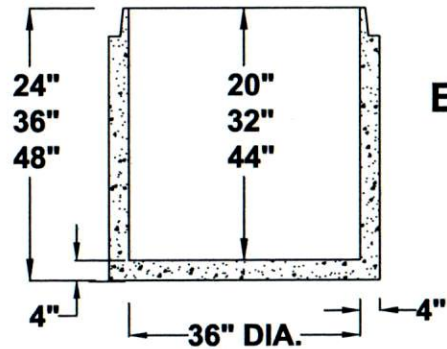
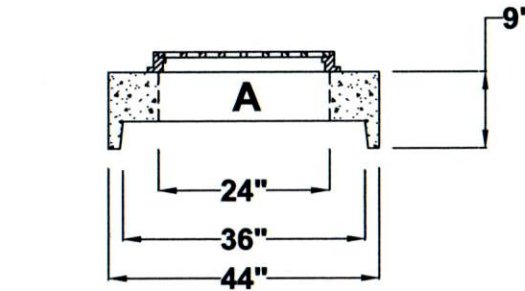
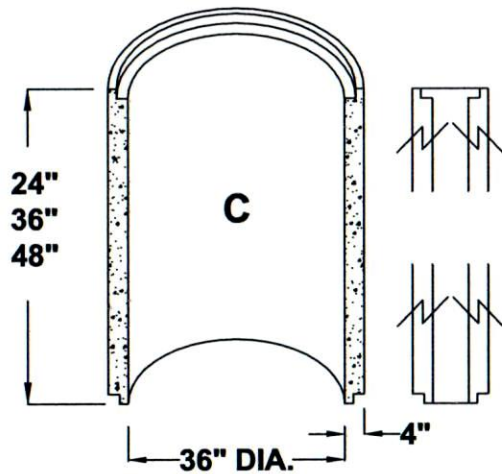


FRAME GROOVE TOP



TONGUE & GROOVE SECTION



GROVE CONCRETE & SUPPLY, INC.
 18426 DURAND AVENUE P.O. BOX 363
 UNION GROVE, WISCONSIN 53182
 (262) 878-2030 FAX (262) 878-4222
 GroveConcrete.com

NOTES:

1. REINFORCED CONCRETE 4,000 PSI MIN.
2. 6 X 6 X 10 MESH TIED.
3. CORING AVAILABLE.

36" CATCH BASIN

FOR ANY MODIFICATIONS CALL GROVE CONCRETE

DRAWN BY:
RAY

DATE:
12/20/13

SCALE:
NTS

VERSION:
00001

DWG. #
36-CATCH

THIS DRAWING AND THE INFORMATION CONTAINED HEREON IS THE EXCLUSIVE PROPERTY OF GROVE CONCRETE & SUPPLY, INC., AND SHALL NOT BE REPRODUCED, USED, OR DISCLOSED TO OTHERS EXCEPT AS AUTHORIZED THROUGH WRITTEN CONCENT FROM GROVE CONCRETE & SUPPLY, INC.