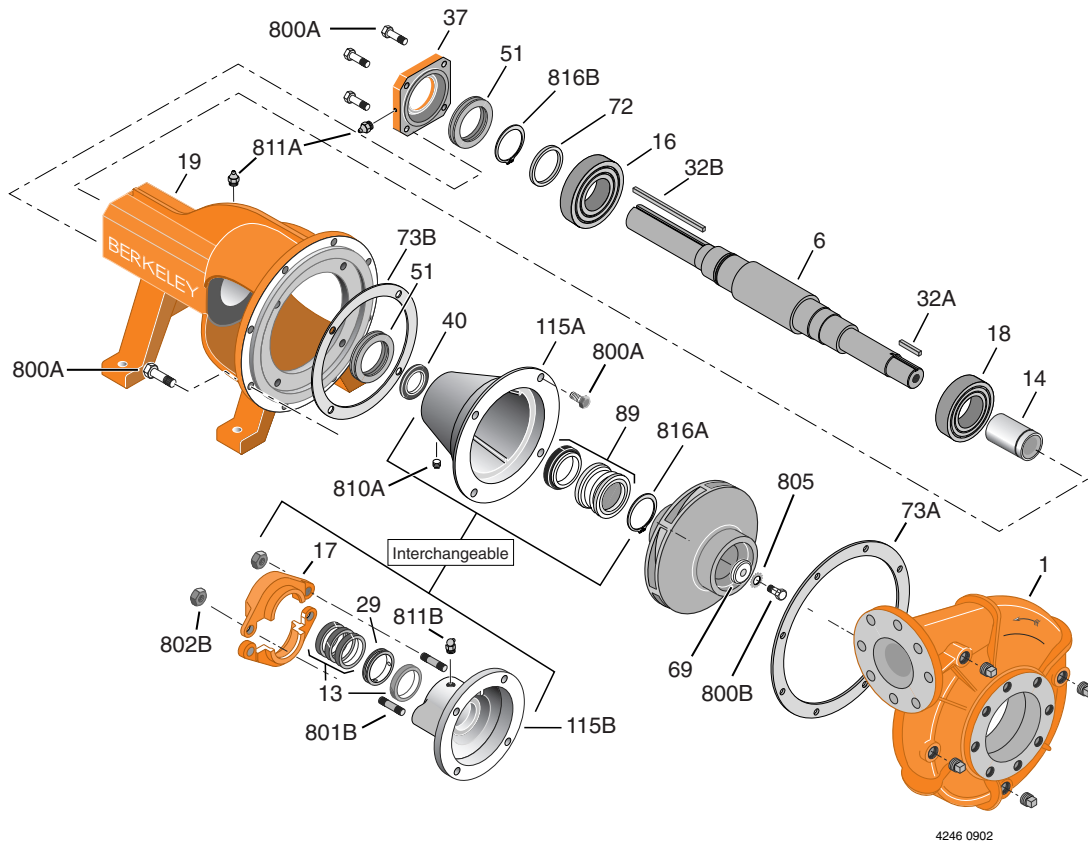




TYPE "B" SINGLE STAGE CENTRIFUGAL PUMP Bearing Frame Mount

| | |
|-------------------|-----------------|
| Section | FM |
| Page | 130.8 |
| Date | January 1, 2004 |
| Supersedes 7/1/02 | |

B3ZRM(S)



B3ZR Common Parts Groups Repair Parts List

| Item No. | Part Description | Part Number |
|----------|---|-------------|
| 6 | Shaft | M12338 |
| 14 | 1-3/8 ID x 1-3/4 OD Shaft Sleeve | M12422 |
| 16 | Single Row Ball Bearing | S13395 |
| 18 | Ball Bearing | S13397 |
| 19 | Bracket | M12332 |
| 32A | Shaft Key, 1/4" Sq. x 2-1/4" Lg. - Impeller | S23677 |
| 32B | Shaft Key, 3/8" Sq. x 2-1/4" Lg. | S23941 |
| 37 | Bearing Cap | M12335 |
| 40 | Water Slinger | S10964 |
| 51 | Grease Seal (2 Req.) | M12337 |
| 69 | Lock Washer | S06319 |
| 72 | Thrust Ring | S06519 |
| 73A | Volute Gasket | S05126 |
| 73B | Balance Ring Gasket | S09943 |
| 800A | 3/8-16 x 1" Lg. Hex Hd Capscrew (16 Req.) | S26826 |
| 800B | 1/2-13 X 1" Lg Hex Hd. Capscrew | S23619 |
| 805 | Lock Washer | S23038 |
| 811A | Grease Fitting (2 Req.) | S23700 |
| 816B | External Retaining Ring | S23016 |

Packing Components

| Item No. | Part Description | Part Number |
|----------|------------------------------------|-------------|
| 13 | Packing Ring Set | S13435 |
| 17 | Split Packing Gland Set | B82470 |
| 29 | Lantern Ring | S19200 |
| 115B | Packing Housing | M12334 |
| 801B | 3/8-16NC x 2-1/2" Lg Stud (2 Req.) | S04438 |
| 802B | 3/8-16 Hex Nut (2 Req.) | S23343 |
| 811B | 1/8 MPT x 90° Grease Fitting | S23702 |

Seal Components

| Item No. | Part Description | Part Number |
|----------|------------------------------|-------------|
| 89 | 1-3/4" Mechanical Shaft Seal | S32015 |
| 115A | Mechanical Seal Housing | M12333 |
| 810A | 1/8" NPT Sq. Hd. Pipe Plug | S23714 |
| 816A | External Retaining Ring | S16767 |

Refer to following page for model specific repair parts listing.



TYPE "B" SINGLE STAGE CENTRIFUGAL PUMP Bearing Frame Mount

| | |
|-------------------|-----------------|
| Section | FM |
| Page | 130.9 |
| Date | January 1, 2004 |
| Supersedes 7/1/02 | |

B3ZRM(S)

B3ZRM(S) Series

| Pump Series | Catalog Number | Rotation | Style | Volute | Pipe Plugs | Impeller | Impeller Material | Replacement Shaft | | |
|---|----------------|----------|--|--------------------------------------|----------------------|----------|-------------------|-------------------|-----------|--------|
| B3ZRM Packing Construction | B80302 | CW | 4" NPT Suction 3" NPT Discharge | H00689 | 4-S23715 1-S23717 | M02911 | Cast Iron | B81663 | | |
| | B80307 | CW | | H00698 | | H05479 | Bronze | B81663 | | |
| | B80303 | CCW | | | | M12462 | Cast Iron | B81663 | | |
| | B80301 | CW | Suction Flange 4x9" B74303 Discharge Flange 3x7-1/2" B60129 | H00689 | 4-S23715 1-S23717 | M02911 | Cast Iron | B81663 | | |
| | B80306 | CW | | | | H05479 | Bronze | B81663 | | |
| | B80304 | CW | | 4" NPT Victaulic 3" NPT Victaulic | | H04040 | 3-S23715 | M02911 | Cast Iron | B81663 |
| | B80305 | CCW | | | | H04041 | | M12462 | Cast Iron | B81663 |
| | B80308 | CW | H04040 | | H05479 | Bronze | | B81663 | | |
| B3ZRMS Mechanical Seal | B80310 | CW | 4" NPT Suction 3" NPT Discharge | H00689 | 4-S23715 1-S23717 | M02911 | Cast Iron | B81663 | | |
| | B80315 | CW | | H00698 | | H05479 | Bronze | B81663 | | |
| | B80311 | CCW | | | | M12462 | Cast Iron | B81663 | | |
| | B80309 | CW | Suction Flange 4x9" B74303 Discharge Flange 3x7-1/2" B60129 | H00689 | 4-S23715 1-S23717 | M02911 | Cast Iron | B81663 | | |
| | B80314 | CW | | | | H05479 | Bronze | B81663 | | |
| | B80312 | CW | | 4" NPT Victaulic 3" NPT Victaulic | | H04040 | 3-S23715 | M02911 | Cast Iron | B81663 |
| | B80313 | CCW | | | | H04041 | | M12462 | Cast Iron | B81663 |
| | B80316 | CW | H04040 | | H05479 | Bronze | | B81663 | | |