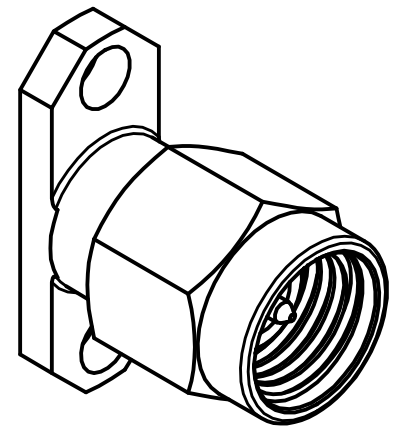
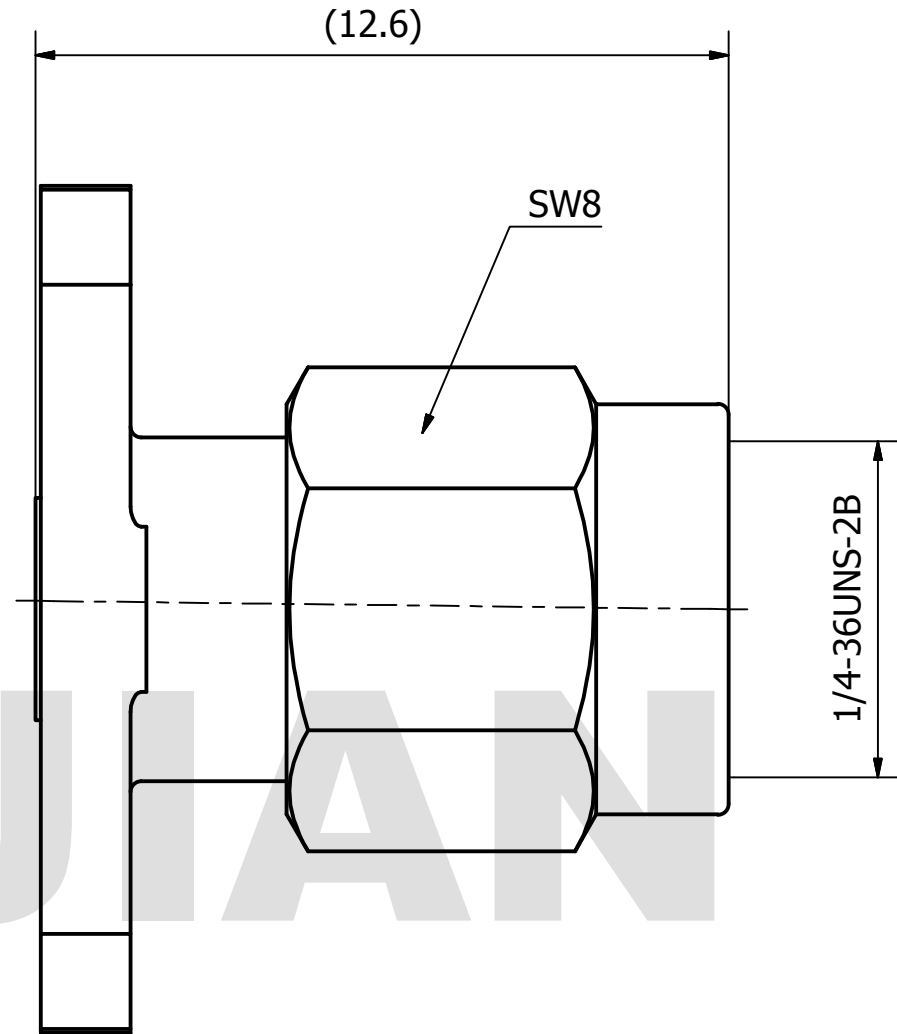
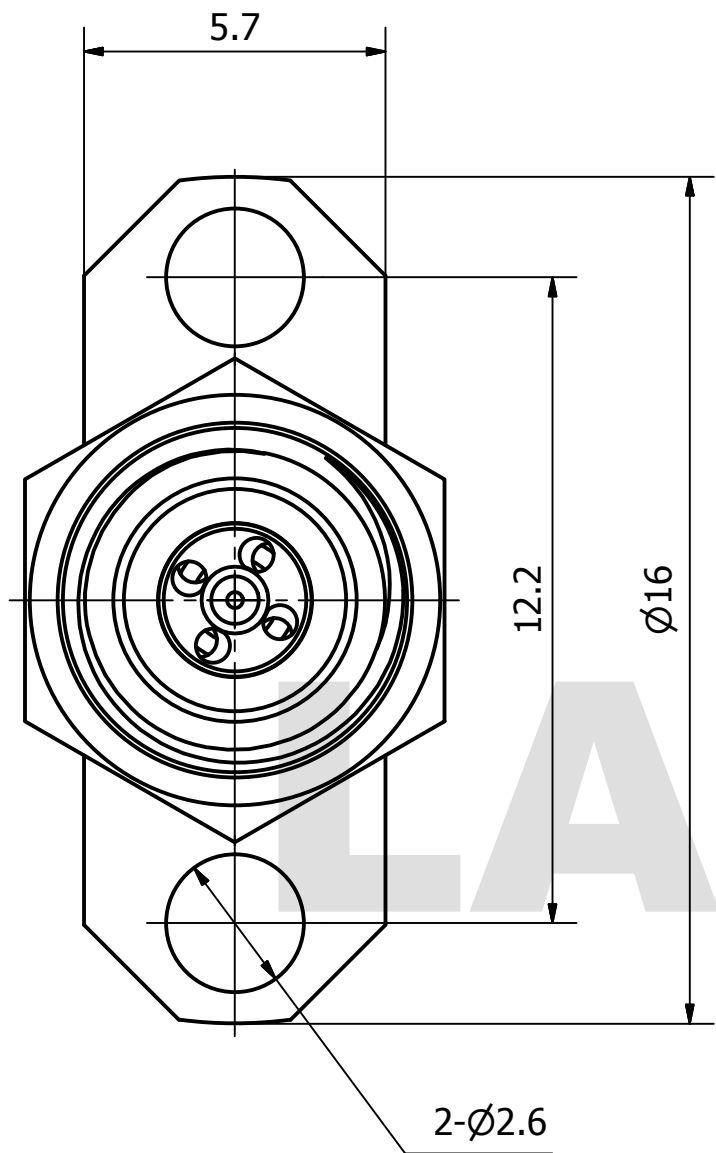


# PRODUCT DATA SHEET



**MATERIAL:**

BODY: STAINLESS STEEL PER AMS-5640,  
ALLOY UNS S30300  
PIN: PHOSPHOR BRONZE,  
ALLOY NO. UNS C51900  
INSULATOR: PEEK

**PERFORMANCE:**

IMPEDANCE: 50 OHMS  
FREQUENCY: DC TO 40 GHz  
VSWR: ≤1.30

THIS DOCUMENT CONTAINS CONFIDENTIAL AND PROPRIETARY INFORMATION THAT CANNOT BE REPRODUCED OR DIVULGED, IN WHOLE OR IN PART, WITHOUT WRITTEN AUTHORIZATION FROM "LANJIAN ELECTRONICS"	MATERIAL :			<p style="font-size: 8px;">38 Hengtong Road, Xinqu Dingmao Zhenjiang, 212009, Jiangsu, P. R. China</p>
	UNLESS OTHERWISE SPECIFIED: DIMENSIONS IN MM			
	TOLERANCES :			
	X.X ±0.20	ANGULAR : ±1°	DEBURR AND	TITLE
	X.XX ±0.10	FILLETS R/C : ±0.10	BREAK SHARP	
	X.XXX ±0.01	SURFACE FINISH : Ra 1.6	EDGES	
	DRAWN	NAME	DATE	SIGNATURE
	CHK'D			
	APPV'D			
	MFG			
PROJECTION	SIZE	SCALE		
	A3	7 : 1		
DO NOT SCALE THE DRAWING			PAGE 1 / 1	

**LANJIAN ELECTRONICS**

38 Hengtong Road, Xinqu Dingmao  
Zhenjiang, 212009, Jiangsu, P. R. China

TITLE

2.9201087/2145  
straight pin microstrip connector

DWG No. GCPZ3.650.C.007      REV.

DO NOT SCALE THE DRAWING      PAGE 1 / 1