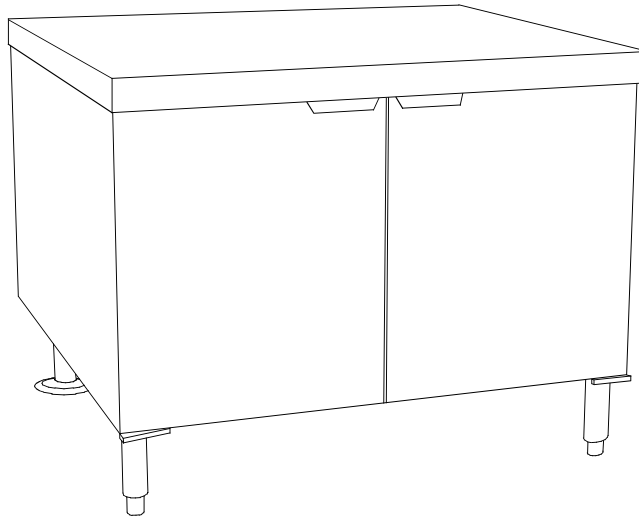


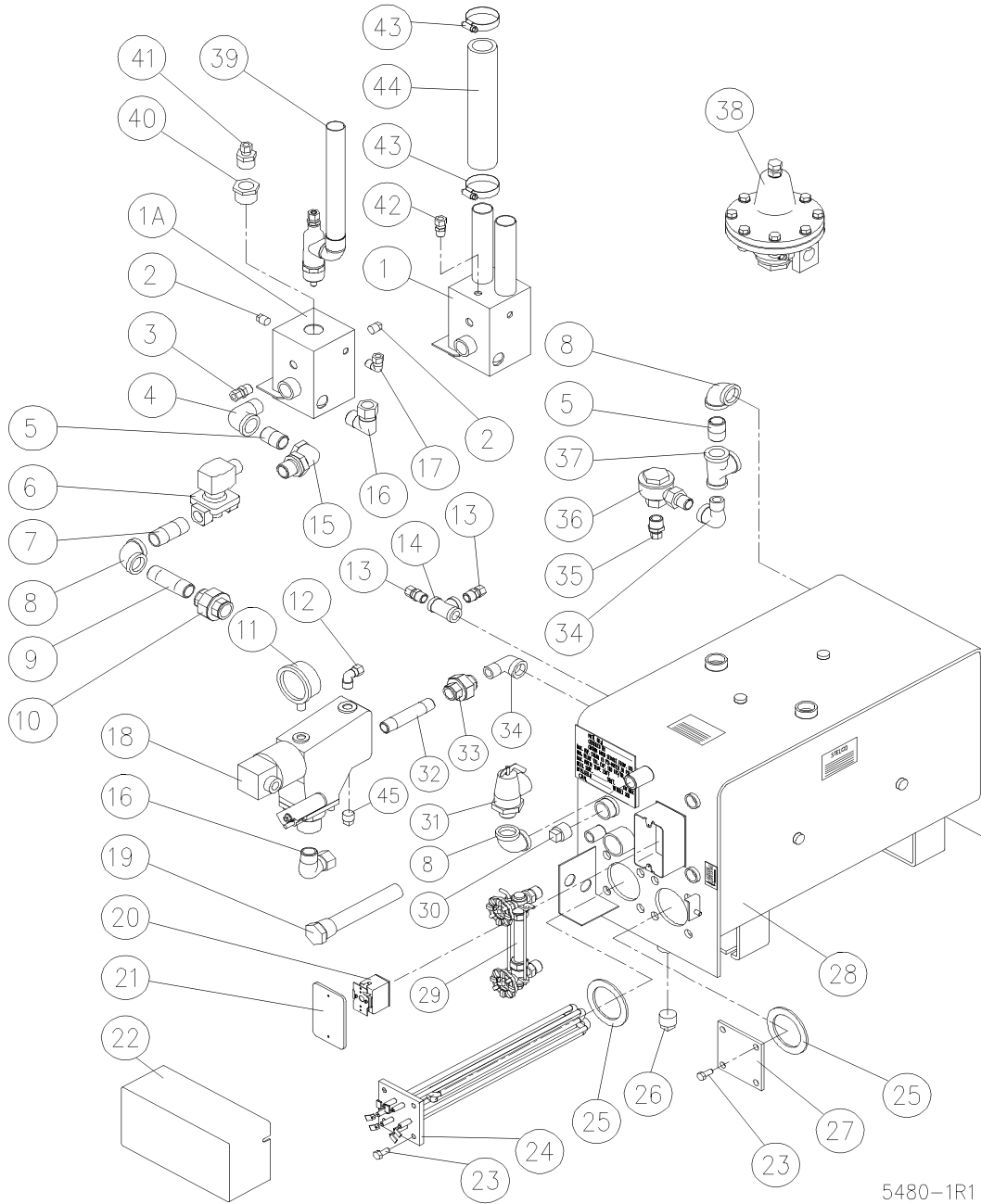
**PARTS LIST**  
**ELECTRIC BOILERS**  
**MODELS: CE24**  
**CE36**  
**CE42**  
**CE48**  
**CE324**  
**CE336**  
**CE342**  
**CE348**



**CROWN FOOD SERVICE EQUIPMENT LTD.**  
70 OAKDALE ROAD, DOWNSVIEW, (TORONTO), ONTARIO, CANADA, M3N 1V9  
TELEPHONE: (416) 746-2358, FAX: (416) 746-8324  
PRINTED IN CANADA

PARTS LIST, ELECTRIC BOILERS,  
 MODELS CE24, CE36, CE42, CE48, CE324, CE336, CE342, CE348

**FIGURE 1**



5480-1R1

PARTS LIST, ELECTRIC BOILERS,  
 MODELS CE24, CE36, CE42, CE48, CE324, CE336, CE342, CE348

**FIGURE 1**

<u>ITEM</u>	<u>PART NO.</u>	<u>DESCRIPTION</u>	<u>QUANTITY</u>	
**	1.	6474-1	Appliance Drain (Pressureless Cooker)	1
	1A.	6475-1	Appliance Drain	1
	2.	9035-2	Square Plug 1/4 NPT	1
	3.	3-686C	Connector, 3/8C x 3/8 NPT	1
	4.	9012-4	Street Elbow, 3/4 NPT 150 #	1
	5.	9090-000	Close Nipple, 3/4"	2
* **	6.	3-BVEO	Ball Valve	1
		3-S567	Blowdown Solenoid (Optional)	1
	7.	9090-024	Nipple, 3/4 x 2-1/2"	1
	8.	9011-4	Elbow, 3/4", 150 #	3
	9.	9090-030	Nipple, 3/4 x 3"	1
	10.	9015-4	Ground Joint Union 3/4", 150 #	1
	11.	3-PG30	Pressure Gauge, 30 PSI	1
	12.	3-696C	Elbow, 3/8C x 3/8 NPT	1
	13.	3-686C	Connector, 3/8C x 3/8 NPT	2
	14.	9013-2	Tee 3/8", 150 #	1
	15.	3-U6BE	Union Elbow, 3/4"	1
	16.	3-6912E	Elbow, 3/4C x 3/4 NPT	1
	17.	3-696B	Elbow, 3/8C x 1/4 NPT	1
	18.	4-WC67	Water Level Control	1
	*	8-6023	Float	1
	*	8-6022	Switch	1
	*	8-6020	Round Gasket	1

PARTS LIST, ELECTRIC BOILERS,  
MODELS CE24, CE36, CE42, CE48, CE324, CE336, CE342, CE348

<u>ITEM</u>	<u>PART NO.</u>	<u>DESCRIPTION</u>	<u>QUANTITY</u>
*	18. 8-6021	Square Gasket	1
*	8-6026	Blowdown Valve	1
**	19. 9-3441	Anode-Screw Type	1
*	8-6011E	Anode	1
	20. 9128-1	High Limit Thermostat	1
*	M19C632-14	Screw, 6 - 32 x 1/4	2
	21. 9-2001	High Limit Box Cover	1
	22. 2830-1	Element Cover	1
	23. 1-66S6	Hex Bolt, 5/16 - 18 x 3/4	4 Per Element
**	24. 7-5031	Element, 24 kW, 208V	1
	7-5032	Element, 24 kW, 240V	1
	7-5033	Element, 24 kW, 480V	1
	7-5037	Element, 24 kW, 220/380V	1
	9-3299	Element, 24 kW, 347V, (600V),	1
UNITS RATED AT THE FOLLOWING kW REQUIRE TWO ELEMENT ASSEMBLY AS LISTED BELOW:			
	7-5027	Element, (18 kW), 36 kW, 208V	2
	7-5028	Element, (18 kW), 36 kW, 220/380V	2
	7-5029	Element, (18 kW), 36 kW, 240V	2
	7-5030	Element, (18 kW), 36 kW, 480V	2
	9-3298	Element, (18 kW), 36 kW, 347V, (600V)	2
	7-5027	Element, (18 kW), 42 kW, 208V	1
	7-5031	Element, (24 kW), 42 kW, 208V	1

PARTS LIST, ELECTRIC BOILERS,  
MODELS CE24, CE36, CE42, CE48, CE324, CE336, CE342, CE348

<u>ITEM</u>	<u>PART NO.</u>	<u>DESCRIPTION</u>	<u>QUANTITY</u>	
**	24.	7-5028	Element, (18 kW), 42 kW, 220/380V	1
		7-5037	Element, (24 kW), 42 kW, 220/380V	1
		7-5029	Element, (18 kW), 42 kW, 240V	1
		7-5032	Element, (24 kW), 42 kW, 240V	1
		7-5030	Element, (18 kW), 42 kW, 480V	1
		7-5033	Element, (24 kW), 42 kW, 480V	1
		9-3298	Element, (18 kW), 42 kW, 347V (600V)	1
		9-3299	Element, (24 kW), 42 kW, 347V (600V)	1
		7-5032	Element, (24 kW), 48 kW, 240, 415, 240/415V	2
		7-5037	Element, (24 kW), 48 kW, 220/380, 380V	2
		7-5033	Element, (24 kW), 48 kW, 480V	2
		9-3299	Element, (24 kW), 48 kW, 347V (600V)	2
	25.	8-3147	Element Gasket	2
	26.	9035-5	Square Plug 3/4"	1
**	27.	9-3356	Blank Plate	1
	*	9-3370	Mounting Plate complete with Anode (8-6011E)	1
	28.	8-1600	Boiler Shell	1
	29.	3-WG20	Water Gauge Assembly	1
	*	9108-2	Water Gauge Glass - 4-3/4"	1
	*	8-6016	Rods	2
	*	8-6018	Rubber Washers	2
	*	8-6019	Brass Washers	2

PARTS LIST, ELECTRIC BOILERS,  
 MODELS CE24, CE36, CE42, CE48, CE324, CE336, CE342, CE348

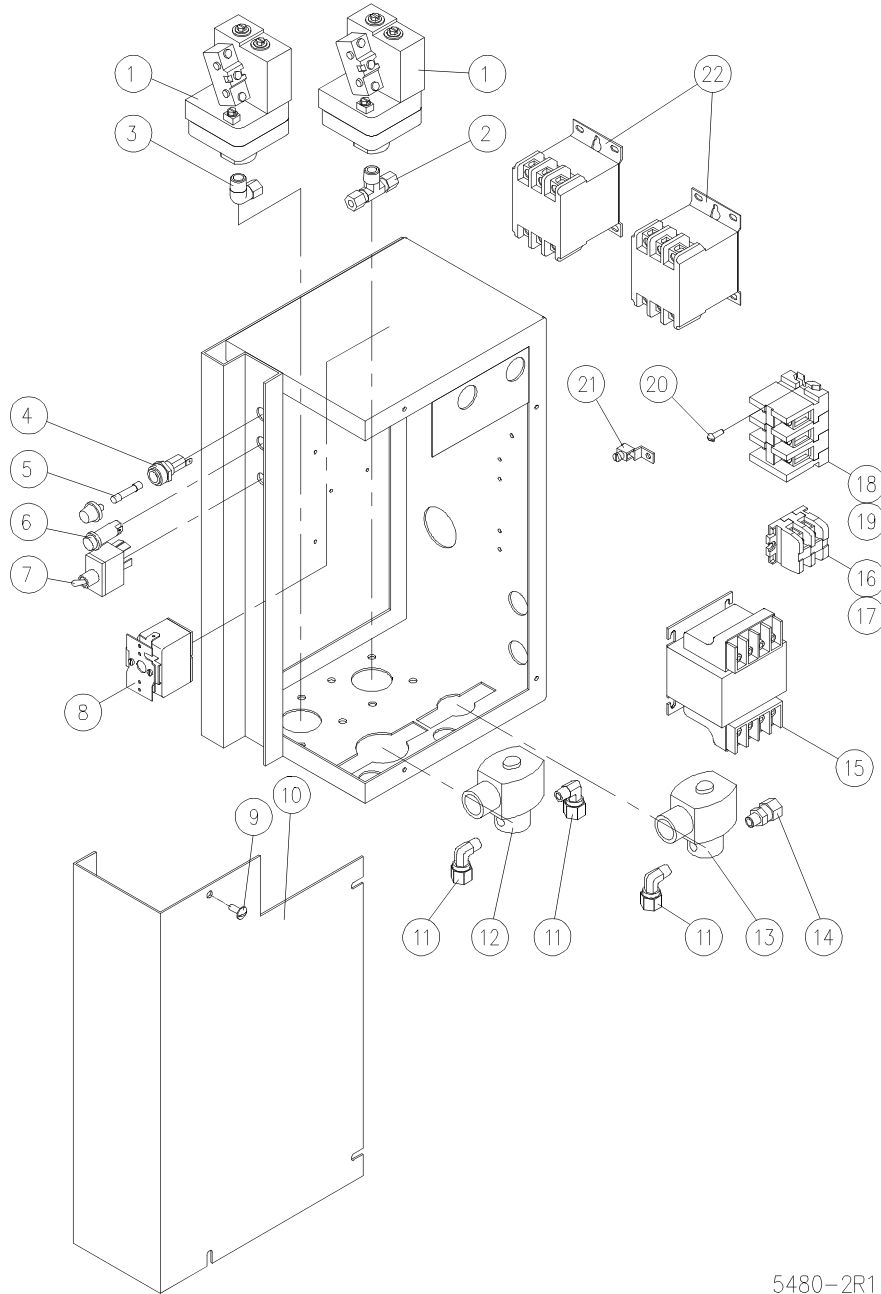
<u>ITEM</u>	<u>PART NO.</u>	<u>DESCRIPTION</u>	<u>QUANTITY</u>	
30.	9035-5	Square Head Plug, 3/4 NPT	1	
31.	3-SRV3	Relief Valve, 15 PSI	1	
32.	9072-040	Nipple, 1/2 x 4" Brass	1	
33.	9015-3	Ground Joint Union 1/2", 150 #	1	
34.	9012-3	Street Elbow, 1/2", 150#	2	
35.	3-686D	Connector, 3/8C x 1/2 NPT	1	
36.	3-TST4	Steam Trap, 1/2"	1	
37.	9013-12	Tee, 3/4 x 1/2 x 3/4, 150#	1	
38.	3-PR52	Pressure Regulator, 3-15 PSI (Pressure Cooker)	1	
**	39.	5388-1	Drain Assembly (Pressure Cooker)	1
	40.	9033-1	Reducer Bushing 1 x 3/4 NPT	1
	41.	3-686C	Connector, 3/8C x 3/8 NPT	1
	42.	3-686B	Connector, 3/8C x 1/4 NPT	1
**	43.	9017-5	Gear Clamp	4
**	44.	9-3296	Drain Hose (Pressureless Cooker)	2
	45.	9035-3	Square Head Plug, 3/8 NPT	1

\* NOT SHOWN.

\*\* SELECT AS REQUIRED.

PARTS LIST, ELECTRIC BOILERS,  
MODELS CE24, CE36, CE42, CE48, CE324, CE336, CE342, CE348

**STANDARD CONTROLS**



5480-2R1

PARTS LIST, ELECTRIC BOILERS,  
MODELS CE24, CE36, CE42, CE48, CE324, CE336, CE342, CE348

<u>ITEM</u>	<u>PART NO.</u>	<u>DESCRIPTION</u>	<u>QUANTITY</u>
1.	4624-1	Pressure Switch complete with Transducer	2
2.	3-724B	Tee, 1/4C x 1/4 NPT	1
3.	3-696B	Elbow, 1/4 C x 1/4 NPT	1
4.	9093-1	Fuse Holder	1
** 5.	9093-2	Fuse, 2 Amp., 250V	1
6.	4-PL04	Pilot Light - Green	1
7.	9110-1	ON/OFF Switch	1
8.	4-TH04	Condensate Thermostat	1
9.	M19C1032-14	Screw, 10 - 32 x 1/4	4
10.	8-1244-1	Control Box Cover	1
11.	3-696A	Elbow, 3/8C x 1/8 NPT	3
12.	3-S162	Water Fill Valve	1
13.	3-S161	Condensate Valve	1
14.	3-686A	Connector, 3/8C x 1/8 NPT	1
** 15.	4-T256	Transformer, 208/120, 60 Hz, 200VA	1
	4-T253	Transformer, 220/110, 50/60 Hz, 200VA	1
	4-T253	Transformer, 240/120, 50/60 Hz, 200VA	1
	4-T254	Transformer, 380/120, 50/60 Hz, 200VA	1
	4-T254	Transformer, 415/120, 50/60 Hz, 200VA	1
	4-T253	Transformer, 480/120, 50/60 Hz, 200VA	1
	4694-200	Transformer, 600/120, 60 Hz, 200VA	1
16.	4-22TB	Terminal Block Section	2
17.	4-22ES	End Section	1
18.	4-33TB	Terminal Block Section	3



PARTS LIST, ELECTRIC BOILERS,  
 MODELS CE24, CE36, CE42, CE48, CE324, CE336, CE342, CE348

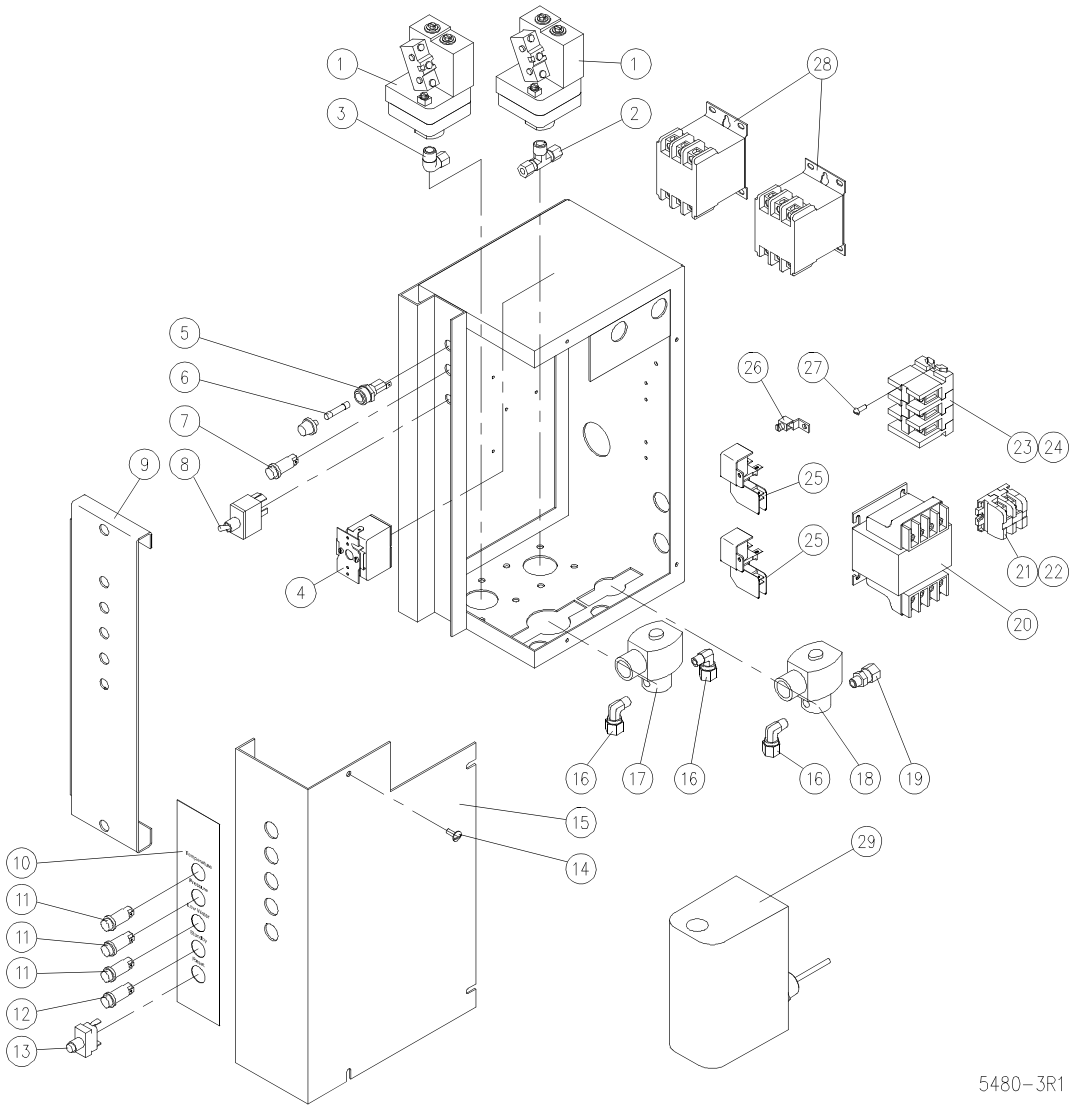
<u>ITEM</u>	<u>PART NO.</u>	<u>DESCRIPTION</u>	<u>QUANTITY</u>
19.	4-33ES	End Section	1
20.	M19C832-14	Screw, 8-32 x 1/4	2
21.	4-70EU	Ground Lug	1
*	9-3104	Earth I.D. Tag	1
**	22. 4-CF42	Contact, 24 kW, 208, 220, 240V	2
	4-CF42	Contact, 24 kW, 380, 415, 600, 220/380, 240/415V	1
	4-DF42	Contact, 36 kW, 208V	2
	4-CF42	Contact, 36 kW, 220, 240V	2
	4-DF42	Contact, 36 kW, 380, 415, 220/380, 240/415V	1
	4-CF42	Contact, 36 kW, 480, 600V	1
	4-DF42	Contact, 42 kW, 208, 220, 240V	2
	4-EF42	Contact, 42 kW, 380, 22/380V	1
	4-DF42	Contact, 42 kW, 415, 480, 240/415V	1
	4-CF42	Contact, 42 kW, 600V	1
	4-DF42	Contact, 48 kW, 240V	2
	4-EF42	Contact, 48 kW, 380, 415, 220/380, 240/415V	1
	4-DF42	Contact, 48 kW, 480V	1
	4-CF42	Contact, 48 kW, 600V	1
*	23. 9068-1	Fuse Holder, 208 - 240V Units	2
	9002-1	Fuse Holder, 600V, 380 - 600V Units	2
*	24. 9092-2	Fuse, 250V, 2A, 208 - 240V Units	2

PARTS LIST, ELECTRIC BOILERS,  
MODELS CE24, CE36, CE42, CE48, CE324, CE336, CE342, CE348

<u>ITEM</u>	<u>PART NO.</u>	<u>DESCRIPTION</u>	<u>QUANTITY</u>
* 24.	9001-3	Fuse, 600V, 1A, 380 - 600V Units	2
* NOT SHOWN.			
** SELECT AS REQUIRED.			

PARTS LIST, ELECTRIC BOILERS,  
MODELS CE24, CE36, CE42, CE48, CE324, CE336, CE342, CE348

**CSD-1 CONTROL BOX**



5480-3R1

PARTS LIST, ELECTRIC BOILERS,  
MODELS CE24, CE36, CE42, CE48, CE324, CE336, CE342, CE348

**CSD-1 CONTROL BOX**

**FIGURE 3**

<b><u>ITEM</u></b>	<b><u>PART NO.</u></b>	<b><u>DESCRIPTION</u></b>	<b><u>QUANTITY</u></b>
1.	4624-1	Pressure Switch complete with Transducer	2
2.	3-724B	Tee, 1/4C x 1/4 NPT	1
3.	3-694B	Elbow, 1/4C x 1/4 NPT	1
4.	4-TH04	Condensate Thermostat	1
5.	9093-1	Fuse Holder	1
** 6.	9092-2	Fuse, 2 Amp., 250V	1
7.	4-PL04	Pilot Light, Green	1
8.	9110-1	ON/OFF Switch	1
9.	6558-1	Control Panel	1
10.	6590-1	Control Decal	1
11.	4-PL07	Pilot Light, Red	3
12.	4-PL06	Pilot Light, Amber	1
13.	8-6012	Reset Switch	1
14.	M19C-1032-14	Screw 10-32 x 1/4	4
15.	4611-1	Control Box Cover	1
16.	3-696A	Elbow, 3/8C x 1/8 NPT	3
17.	3-S162	Water Fill Valve	1
18.	3-S161	Condensate Valve	1
19.	3-686A	Connector, 3/8C x 1/8 NPT	1
** 20.	4-T256	Transformer, 208/120, 60 Hz, 200VA	1
	4-T253	Transformer, 220/110, 50/60 Hz, 200VA	1
** 20.	4-T253	Transformer, 240/120, 50/60 Hz, 200VA	1

PARTS LIST, ELECTRIC BOILERS,  
MODELS CE24, CE36, CE42, CE48, CE324, CE336, CE342, CE348

<u>ITEM</u>	<u>PART NO.</u>	<u>DESCRIPTION</u>	<u>QUANTITY</u>
** 20.	4-T254	Transformer, 380/120, 50/60 Hz, 200VA	1
	4-T254	Transformer, 415/120, 50/60 Hz, 200VA	1
	4-T253	Transformer, 480/120, 50/60 Hz, 200VA	1
	4694-200	Transformer, 600/120, 60 Hz, 200VA	1
21.	4-22TB	Terminal Block Section	2
22.	4-22ES	End Section	1
23.	4-33TB	Terminal Block Section	3
24.	4-33ES	End Section	1
25.	9-3175-1	Relay Single Pole, 120V	2
26.	4-70EU	Ground Lug	1
*	9-3104	Earth I.D. Tag	1
27.	M19C832-14	Screw 8-32 x 14	2
** 28.	4-CF42	Contactator, 24 kW, 208, 220, 240V	2
	4-CF42	Contactator, 24 kW, 380, 415, 600, 220/380, 240/415V	1
	4-DF42	Contactator, 36 kW, 208V	2
	4-CF42	Contactator, 36 kW, 220, 240V	2
	4-DF42	Contactator, 36 kW, 380, 415, 220/380, 240/415V	1
	4-CF42	Contactator, 36 kW, 480, 600V	1
	4-DF42	Contactator, 42 kW, 208, 220, 240V	2
	4-EF42	Contactator, 42 kW, 380, 22/380V	1
	4-DF42	Contactator, 42 kW, 415, 480, 240/415V	1

PARTS LIST, ELECTRIC BOILERS,  
 MODELS CE24, CE36, CE42, CE48, CE324, CE336, CE342, CE348

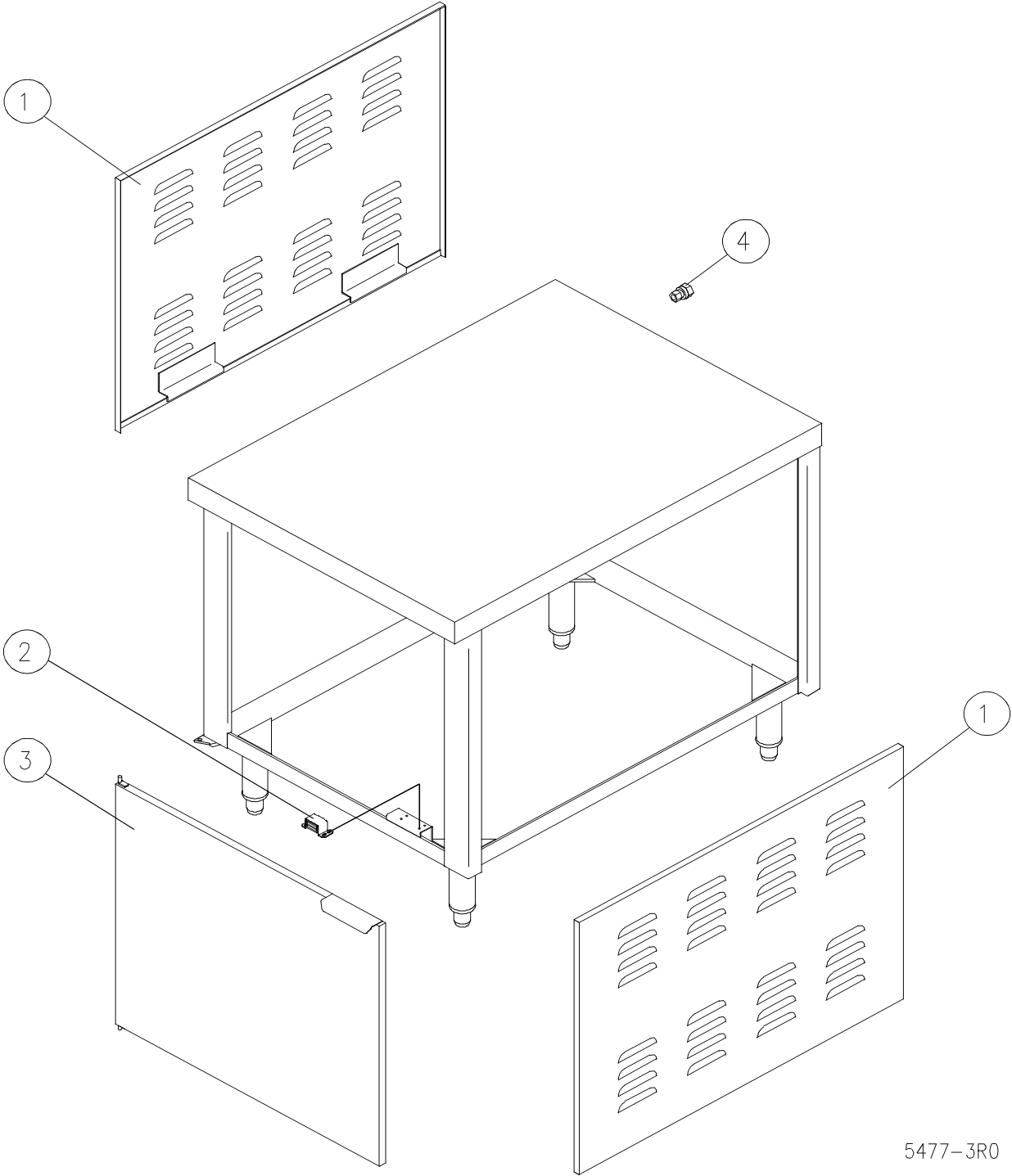
<u>ITEM</u>	<u>PART NO.</u>	<u>DESCRIPTION</u>	<u>QUANTITY</u>
** 28.	4-CF42	Contactora, 42 kW, 600V	1
	4-DF42	Contactora, 48 kW, 240V	2
	4-EF42	Contactora, 48 kW, 380, 415, 220/380, 240/415V	1
	4-DF42	Contactora, 48 kW, 480V	1
	4-CF42	Contactora, 48 kW, 600V	1
29.	4-WC80	Secondary Low Water Cut Off	1
*	4-WP80	Probe	1
* 30.	9068-1	Fuse Holder, 208 - 240V Units	2
	9002-1	Fuse Holder, 600V, 380 - 600V Units	2
* 31.	9092-2	Fuse, 250V, 2A, 208 - 240V Units	2
	9001-3	Fuse, 600V, 1A, 380 - 600V Units	2

\* NOT SHOWN.

\*\* SELECT AS REQUIRED.

PARTS LIST, ELECTRIC BOILERS,  
MODELS CE24, CE36, CE42, CE48, CE324, CE336, CE342, CE348

**FIGURE 4**



5477-3R0

PARTS LIST, ELECTRIC BOILERS,  
 MODELS CE24, CE36, CE42, CE48, CE324, CE336, CE342, CE348

**FIGURE 4**

**CABINET 28" HEIGHT**

<u>ITEM</u>	<u>PART NUMBER</u>	<u>DESCRIPTION</u>	<u>WIDTH</u>		
			<u>24"</u>	<u>36"</u>	<u>48"</u>
1.	3563-1	Side Panel	2	2	2
2.	5-MC02	Magnet Catch	1	2	2
	1-11C2	Catch Screw	4	8	8
3.	3373-1	Cabinet Door	1		
*	8-1303	Right Hand Door		1	
*	8-1304	Left Hand Door		1	
*	9-3368-1	Right Hand Door			1
*	9-3369-1	Left Hand Door			1
4.	3-666D	Water Connection	1	1	1



PARTS LIST, ELECTRIC BOILERS,  
MODELS CE24, CE36, CE42, CE48, CE324, CE336, CE342, CE348

**CABINET 32" HEIGHT**

**FIGURE 4**

<u>ITEM</u>	<u>PART NO.</u>	<u>DESCRIPTION</u>	<u>WIDTH</u>					
			<u>24"</u>	<u>36"</u>	<u>42"</u>	<u>44"</u>	<u>48"</u>	<u>60"</u>
1.	8-1305-1	Side Panel	2	2	2	2	2	2
2.	5-MC02	Magnetic Catch	1	2	2	2	2	3
	1-11C2	Catch Screws	4	8	8	8	8	12
3.	8-1932-1	Door	1					
*	8-1303-1	Right Hand Door		1				
*	8-1304-1	Left Hand Door		1				
*	9-3368-6	Right Hand Door			1			
*	9-3369-5	Left Hand Door			1			
*	9-3368	Right Hand Door				1		
*	9-3369	Left Hand Door				1		
*	9-3368-5	Right Hand Door					1	
*	9-3369-4	Left Hand Door					1	
*	9-3368-3	Right Hand Door						1
*	9-3369-3	Left Hand Door						1
*	9-3368-4	Centre Door						1
4.	3-666D	Water Connection		1	1	1	1	1

\* NOT SHOWN.