

Richwood Village Council Meeting - Agenda 04/09/2018

1. Pledge of Allegiance 7:00 pm

2. Call to order and Roll Call

Von Beal _____, Jack Moore _____, George Showalter _____, Donald Ridgeway _____, Reddy Brown _____
Pat Morse _____

3. Meeting Minutes

Motion _____ Second _____ Vote: JM _____, GS _____, VB _____, RB _____, DR _____, PM _____

4. Warrants

Motion _____ Second _____ Vote: JM _____, GS _____, VB _____, RB _____, DR _____, PM _____

5. Introduction of Visitors

6. Legislation –

7. Mayor's Report

8. Administration Report

- Street/Utility
- Police
- Finance

9. Old Business:

10. New Business

11. Adjourn: motion _____ Second _____

Vote: JM _____, GS _____, VB _____, RB _____, DR _____, PM _____ Time: _____

Next Council meeting 04/23/2018 @ 7:00 PM

MARCH 26, 2018
RICHWOOD VILLAGE COUNCIL

Following the Pledge of Allegiance, the regular meeting of the Richwood Village Council was called to order by Council President Jack Moore, March 26 2018 at 7:00 p.m. Moore called for attendance, Council members present: George Showalter, Pat Morse, Donald Ridgeway, Von Beal, and Reddy Brown. Police Chief Monte Asher, Fiscal Officer Timothy Goodwin, and other residents were present.

Pat Morse moved and Reddy Brown seconded a motion to approve the meeting minutes from 03/12/2018. The minutes were approved unanimously.

Von Beal moved and George Showalter seconded a motion to approve the warrants as presented. The motion passed unanimously.

Andrew Coutts from the Treasurer of Ohio discussed OhioCheckbook.com program.

Craig Mescher of Access Engineering discussed the Franklin Street Beautification Project with Council. He left drawings for their review. The park project was also reviewed.

Dennis Baker of the North Central Ohio Solid Waste District discussed the potential for a centralized refuse hauler contract for the Village. He discussed several options such as pay as you throw.

George Showalter moved and Von Beal seconded a motion to accept the Third and final Reading of Ordinance 02012018 for spending appropriations for 2018. The motion passed unanimously.

George Showalter moved and Von Beal seconded a motion to accept the Third and final Reading of Ordinance 02022018 for Employee compensation for 2018. The motion passed unanimously

The Administration Report was presented to Council.

Alison Boggs discussed the title work on the Opera House. We are waiting on a report from Evans Law. She is preparing to attend a conference on Skill Games.

Pat Morse stated that he would like to discuss the Opera House at the next Council meeting.

Kelly Jerew discussed items of concern that have been posted to 43344 watch on Facebook.

Von Beal moved and George Showalter seconded a motion to adjourn and Council approved the motion unanimously. Jack Moore adjourned the meeting at 8:35 PM.

Mayor

Fiscal Officer

WARRANTS 04/09/2018

WARRANT	VENDOR	AMOUNT	MEMO
23856	ACCESS ENGINEERING SOLUTIONS	\$78,750.00	PROJECT MANAGEMENT AND DESIGN \$55,000 LAKE PROJECT, \$23,750 I & I STUDY
23857	AMANDA HUTCHINSON	\$157.40	REFUND FOR OVERPAYMENT OF WATER BILL
23858	BACKGROUND SOLUTIONS, LLC	\$195.00	BACKGROUND CHECK SOFTWARE
23859	BROWN SUPPLY	\$269.60	JANITORIAL SUPPLIES
23860	CHAMPOIN FEED	\$49.99	DOG FOOD
23861	COLUMBIA GAS	\$2,412.21	NATURAL GAS
23862	COMPANION LIFE	\$16.40	EMPLOYEE LIFE INSURANCE
23863	COMP MANAGEMENT	\$440.00	BWC GROUP RATING SAVINGS OF \$2,659
23864	CORE AND MAIN	\$108.00	CURB BOX LIDS
23865	EDGE TECHNOLOGY	\$50.00	IT SERVICES
23866	FRONTIER	\$344.53	LAND LINES
23867	GALLS	\$205.45	POLICE UIFORMS
23868	GOLDEN RULE CREATIONS	\$289.78	POLICE UNIFORM PATCHES
23869	MARYSVILLE JOURNAL TRIBUNE	\$14.10	ADVERTISING
23870	MASI	\$1,060.55	WATER TESTING
23871	OHIO EDISON	\$194.29	ELECTRICITY
23872	OHIO UTILITY PROTECTION SERVICES	\$16.00	OUPS FEES
23873	PARROTT IMPLEMENT	\$597.63	ROAD SAW CART
23874	PAT'S PRINT SHOP	\$9.50	UNIFORM SHIRT
23875	PERRY PROTECH	\$52.70	COPIER SERVICE
23876	PLOTNER HARDWARE	\$147.79	HARDWARE AND REPAIR PARTS
23877	REGAL PLUMBING AND HEATING COMPANY	\$624.38	REPAIR OF UNIT HEATER AT WATER PLANT
23878	RICHWOOD AUTO AND TRUCK, LLC	\$280.41	AUTO REPAIR PARTS
23879	RICHWOOD TIRE CENTER	\$115.25	AUTO REPAIRS
23880	SHELLY MATERIALS	\$182.41	STONE FOR LINE REPAIRS
23881	THE WINDOW WASHER CO.	\$214.00	WASHING WINDOWS AT MUNICIPAL BUILDING
23882	TOM ROSS AUTOMOTIVE	\$134.90	AUTO REPAIRS
23883	TIDY TIM'S INC.	\$510.00	PORTABLE OUTHOUSE RENTAL FOR PARK, SECOND QUARTER 2018
23884	UNION COUNTY ENGINEER	\$1,076.17	SALT FOR STREETS
23885	UNIQUE PAVING MATERIALS	\$825.30	COLD MIX PAVEMENT PATCH
23886	VISA	\$1,395.54	POSTAGE AND REPAIRS
23887	VERIZON	\$200.91	AIR CARDS FOR POLICE
23888	MARYSVILLE MUNICIPAL COURT	\$324.72	PAYROLL GARNISHMENT
23889	POSTMASTER, RICHWOOD OHIO	\$1,000.00	POSTAGE
23890	GUN ENVY	\$1,800.00	2 NEW AR -15 RIFLES FOR POLICE USE
	TOTAL	\$ 94,064.91	

Administration Report 04/09/2018

Village Services

- 1) Patching potholes as needed.
- 2) Working on property cleanups. Weeds, Trash, etc. (Marion Bump working on several)
- 3) Area electric made aviation light work on water tower, but waiting for equipment to make lights flash. Terry is scheduling this.
- 4) Bomford Street Project in progress. Road will be closed until end of construction
- 5) Park Project started and in progress. Access looking at elevation over near the monument to change incline.
- 6) Preparing to have water well pumps repaired (pumping at low capacity) **Next on contractor's schedule**
- 7) Getting pricing on new roller.
- 8) Nick McDonald and Tim Monroe to attend testing for pesticide application.
- 9) **Boil Alert is lifted.**

Police

- 1) Attended COP in the line of Duty Deaths 1/29-1/31. *Working on new packets.*
- 2) Active Shooter scheduled for March 27. **Went well, working on the County Wide Program**
- 3) Speed machine needs work.
- 4) **Getting quotes for body cameras. Getting ready for a trial period.**
- 5) Investigation training upcoming.
- 6) Eric Nicholson to go to ALICE training as instructor.
- 7) Drug takeback 04/28
- 8) New Rifles being made ready to put in service.
- 9) Master of Ceremonies at UC Law Enforcement Memorial - May 10 NU New age to sing National Anthem, All officers to attend.

Finance

- 1) Payroll (4/16 Biweekly and Admin, 4/30 Biweekly)
- 2) OPERS, OP&F due 04/30/2018
- 3) State and local taxes due 04/15/2018
- 4) **Preparing Quarterly reports 941, ODJFS Due 04/30/2018**
- 5) Evans and Evans is working on title work on Easement for park and Opera House.
- 6) Preparing for Audit FY 2016-2017
- 7) **Preparing quotes for Council's consideration for 2 new trucks and vibratory roller**



NJPA DETAILED EQUIPMENT QUOTE

APRIL 5, 2018

SALESPERSON: Jordan Carnes
 CUSTOMER CONTACT:
 NJPA CONTRACT #

QUOTE PREPARED FOR:

SELLING BRANCH:

QUOTE INFORMATION:

VILLAGE OF RICHWOOD
 153 N FRANKLIN ST
 PO BOX 189
 RICHWOOD, OH 43344
 P: 740-943-3315

6390 Shier-Rings Rd., Dublin, OH 43016
 Branch: (614) 889-1073
 Mobile: +1 6147381288
 Email: jcarnes@southeasternequip.com

Estimated Close Date: 07/19/2018
 Account Number: 477358

Eq #/ Item #	Product Description	Hours	Product Notes	List Price	Discount %	NJPA Total Price
	2018 BOMAG BW900-50			\$19,755.00	28.5%	\$14,124.83
	ROPS, HINGED			\$0.00	28.5%	\$0.00
	ROTARY BEACON			\$265.00	28.5%	\$189.48
Total NJPA Price						\$14,314.31

NOTES:

EQUIPMENT WARRANTY AND DELIVERY INFORMATION:

Warranty Type:
 Warranty Detail:

Delivery Method:
 Delivery Date:
 Delivery Info:

*All information and prices are subject to change prior to signed sales order. Description, specifications, hour meters and other information may differ from actuals. Any finance information presented on this quote is not a promise to finance or a guarantee of rates.



TRADE-IN EQUIPMENT:

Year	Serial #	Manufacturer	Model	Trade-In Allowance
Total Trade-In Estimate				0

QUOTE TOTALS*	
Total Equipment Price	\$14,314.30
Estimated Trade-In Allowance	\$0.00
Trade-In Difference	\$14,314.30
Applied Rent	
Carrying Charge	
Fuel, DEF & Other	
Freight/Trucking	\$800.00
Title and License Fees	
Total Trade Payoff	\$0.00
Total Price Before Tax	\$15,114.30
Sales Tax	
FET Tax	
Total Amount Due	\$15,114.30
Down Payment	
Estimated Balance Due	\$15,114.30

Finance Rate Options (Estimate Only)			
	Months	Rate	Estimated Cost
Term 1		%	
Term 2		%	
Term 3		%	
Term 4		%	
Term 5		%	

D-L, June

*All information and prices are subject to change prior to signed sales order. Description, specifications, hour meters and other information may differ from actuals. Any finance information presented on this quote is not a promise to finance or a guarantee of rates.

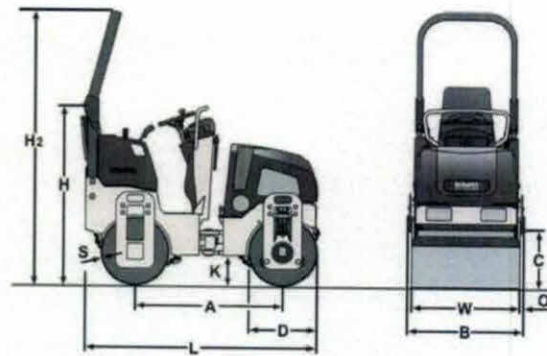


TECHNICAL DATA

TANDEM ROLLERS

BW 900-50





Dimensions in in

	A	B	C	D	H	H2	K	L	O	S	W
BW 900-50	48.1	37.8	17.7	22.0	68.0	90.2	9.8	77.4	1.2	0.3	35.4

Shipping dimensions in cub.yd

BW 900-50

without ROPS

4.263

with ROPS

6.408

Machine type	Compaction output (cub.yd/h) at recommended soil layer thicknesses		
	Gravel, sand	Mixed soil	Silt, clay
BW 900-50	65.4-130.8	45.8-91.6	39.2-71.9

Machine type	Compaction output (t/h) at different asphalt layer thicknesses		
	0.8-1.6 in	2.4-3.1 in	3.9-5.5 in
BW 900-50	10-25	20-40	30-60

Technical Data**HONDA
BW 900-50****Weights**

Operating weight CECE	lb	2,646
Average axle load CECE	lb	1,321
Average static linear load CECE	lb/in	37.3

Dimensions

Working width	in	35.4
Track radius, inner	in	64.8

Driving Characteristics

Working speed with vibration	mph	0- 2.5
Max. travel speed	mph	0- 5.4
Max. gradeability without/with vibr.	%	40/30

Drive

Engine manufacturer		Honda
Type		GX 630
Cooling		air
Number of cylinders		2
Performance SAE J 1349	hp	20.0
Speed	min-1	3,300
Electric equipment	V	12
Drive system		hydrost.
Driven drum		2

Brakes

Service brake		hydrost.
Parking brake		mech.

Steering

Steering system		oscil.artic.
Steering method		hydrost.
Steering angle +/-	deg	33
Oscillating angle +/-	deg	6.0

Exciter system

Vibrating drum		front
Drive system		hydrost.
Frequency	vpm	4,200
Amplitude	in	0.020
Centrifugal force	lb	3,372

Sprinkler System

Type of sprinkling		pressure
--------------------------	--	----------

Capacities

Fuel	gal	7.1
Water	gal	36.2

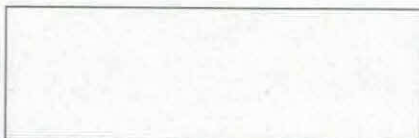
Technical modifications reserved. Machines may be shown with options.

Standard Equipment

- Hydrostatic travel and vibration drive
- Front drum vibration
- Travel drive in series
- Oscillating artic. center joint
- Hydrostatic articulated steering
- Mechanical parking brake
- Vibration control in travel lever
- 2 scrapers per drum
- Plastic water tank
- Pressure sprinkler system
- Hour meter
- Low fuel level indicator
- Control and warning indicator lights
- Automatic shutdown at low oil level
- Lockable anti vandal dashboard protection
- Single point lifting device
- Lockable engine cover
- Transport lashing and lifting points
front/rear
- Emergency engine shut down
- Corrosion and weather protected ignition
switch
- Seat belt
- Back-up alarm

Optional Equipment

- ROPS
- Foldable ROPS
- Working lights front and rear



PRUS 834 07 010

190916 Sa

BOMAG Americas, Inc.
125 Blue Granite Parkway
Ridgeway, SC 29130
USA
Tel. +1 803 3370700
Fax +1 803 3370800
www.bomag.com/us



CB14B VIBRATORY ASPHALT COMPACTOR
MINNEAPOLIS, MN, USA (SAP)

Ship Weight
lbs

LIST PRICE
AT DEALER

Standard Equipment:

POWERTRAIN

Kohler KDW1003 3 cylinder diesel engine
16.38 kw/22.5 hp
Hydrostatic transmission
Service and parking brakes
Drum drive motors in series
Muffler
Hydraulic oil, standard

Quick connect hydraulic pressure ports
O-ring face seal couplings
Tow hook
Auxiliary battery positive terminal

ELECTRICAL

Engine start switch with auto preheat
Warning horn
40 amp alternator
12-volt electrical system
Maintenance free 48 AH battery, 650 CCA
Beacon ready
Battery disconnect switch

OPERATOR ENVIRONMENT

Gauge: Hourmeter
Operator warning system indicators:
-Parking brake engaged
-High engine coolant temperature
-Low electrical system voltage
-Low fuel level
-Air filter restriction
-Engine preheat
-Vibration on
Lockable instrument panel vandalism
guard
Manual control lever
Seat with:
-Fore and aft adjustment
-Retractable seat belt - 51 mm (2 inch)
Platform handrails and guardrails
Steering wheel spinner
12-volt power point

DRUMS

Tow smooth drums:
-900mm/35.4 inch wide x 560 mm/22 inch
diameter
-1000mm/39 inch wide x 560 mm/22 inch
diameter
Pressurized drum watering system with
100L/26.4 gal tank - 8 flow setting
2 retractable, spring-loaded self-
adjusting scrapers per drum
Water spray, pressurized

OTHER STANDARD EQUIPMENT

Locking engine enclosure
Sight gauge for hydraulic tank level
23 L (6.1 gal) fuel capacity
2 transport tie-down and 4 lift points

CB14B VIBRATORY ASPHALT COMPACTOR
MINNEAPOLIS, MN, USA (SAP)

Ship Weight
lbs

LIST PRICE
AT DEALER

ORDERING INSTRUCTIONS

For an explanation of Lane Strategy and ordering instructions please refer to the sales model "General" posted in the web price list.

You must order your machine from Lane 1, Lane 2, or Lane 3. The lane you order from will determine capability to order additional attachments and service level you will receive.

LANE 1 DISTRIBUTION CENTER ARRANGEMENTS

If no reference number is listed, a Lane 1 configuration is not available.

Distribution Center Arrangement (DCA) reference numbers for this model may not be used to order machine from the factory, they are only valid to order machines from a Product Distribution Center (PDC).

472-8116	CB14B UTILITY COMPACTOR DCA1 3,166 Available to ADSD-N from MPLS PDC INCLUDES: 389-3800 CB14B UTILITY COMPACTOR 472-8114 DRUM, SMOOTH, 900mm/35.4 inch 472-8109 ENGINE 392-9219 ALARM BACK UP 393-9300 CAP, FUEL 392-9177 LIGHTS, WORKING 392-9183 SEAT, SUSPENSION, SAFETY SWITCH 395-1848 INSTRUCTIONS, NORTH AMERICAN	\$31,910
472-8117	CB14B UTILITY COMPACTOR DCA2 3,056 Available to ADSD-N from MPLS PDC INCLUDES: 389-3800 CB14B UTILITY COMPACTOR 472-8115 DRUM, SMOOTH, 1000mm/39.3 inch 472-8109 ENGINE 392-9219 ALARM BACK UP 393-9300 CAP, FUEL 392-9177 LIGHTS, WORKING 392-9183 SEAT, SUSPENSION, SAFETY SWITCH 395-1848 INSTRUCTIONS, NORTH AMERICAN	\$35,150

To be complete your Lane 1 machine order must at least contain:
 Distribution Center Arrangement (DCA)
 0P9001 Lane selection
 Lane 1 mandatory attachments if applicable
 Operation and Maintenance Manuals (except from MPLS PDC)
 Associated 0P/0G numbers

CB14B VIBRATORY ASPHALT COMPACTOR
MINNEAPOLIS, MN, USA (SAP)

Ship Weight
lbs

LIST PRICE
AT DEALER

LANE 2/LANE 3 FACTORY ARRANGEMENTS

If no reference number is listed, a Lane 2/Lane 3 configuration is not available.

USE	REF NO.	LANE 1	Ship Weight lbs	LIST PRICE AT DEALER
-----	---------	---------------	-----------------	----------------------

LANE 1 AM-NORTH MANDATORY ATTACHMENTS

(MUST CHOOSE ONE FROM EACH CATEGORY)

LANE SELECTION

YOU MUST SELECT THIS REFERENCE WHEN ORDERING FROM THE PDC

0P-9001	LANE 1 ORDER	0	NC
---------	--------------------	---	----

OPERATION ENVIRONMENT

P	459-2300	DUAL FOLDING ROPS	110	\$1,590
P	395-1819	ROPS, FIXED	110	\$1,140

PACKING

0P-0210	PACK, DOMESTIC TRUCK	0	NC
---------	----------------------------	---	----

USE	REF NO.	LANE 1	Ship Weight lbs	LIST PRICE AT DEALER
-----	---------	--------	-----------------	----------------------

LANE 1 AM-NORTH OPTIONAL ATTACHMENTS

May select additional options (not required).

SERVICE INSTRUCTIONS

L	395-1849	INSTRUCTIONS, STANDARD	0	NC
		Includes picto decals only without "WARNING" as required for ISO. Required for Canadian Dealer (Quebec)		

OTHER ATTACHMENTS

P	395-1818	LIFTING BAR	13	\$81
---	----------	-----------------------	----	------