



## **EXTARO 300 from ZEISS**

Visualize Beyond



# Perfecting your art.

ZEISS EXTARO 300



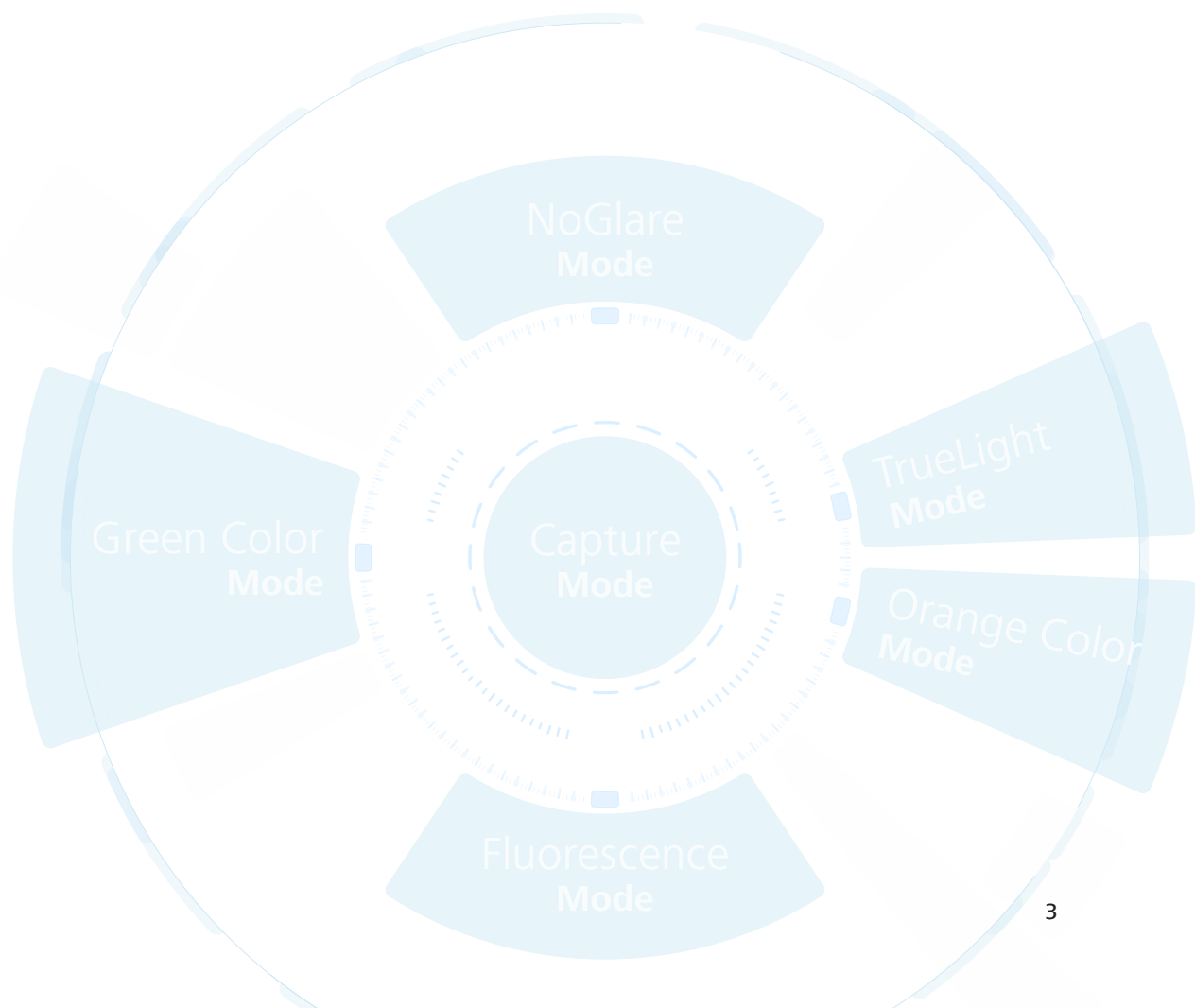
// INNOVATION  
MADE BY ZEISS

# ZEISS EXTARO 300

## Visualize Beyond

Are you constantly looking for ways to elevate and differentiate your practice from mainstream dental providers? At ZEISS we know the challenges you face when you are aiming for the highest levels of performance and results – both functionally and aesthetically.

EXTARO® 300 from ZEISS provides breakthrough visualization modes that introduce new applications to microdentistry. From more efficient caries detection to a simpler tooth restoration workflow, ZEISS EXTARO 300 is poised to revolutionize and differentiate your practice.



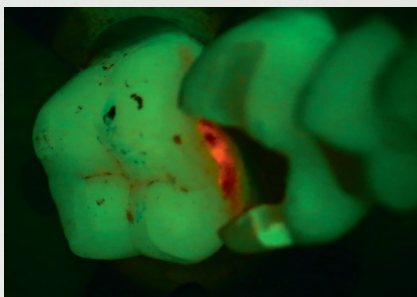


# See to Preserve

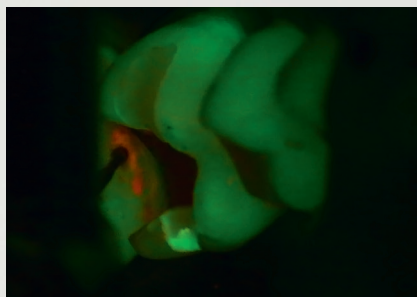
## Repair caries-infected fillings efficiently.

The **Fluorescence Mode** in ZEISS EXTARO 300 aids you in the detection of dental caries. As the first device combining caries detection technology<sup>1</sup> with optical magnification, the Fluorescence Mode in ZEISS EXTARO 300 helps you to preserve healthy tooth substance.

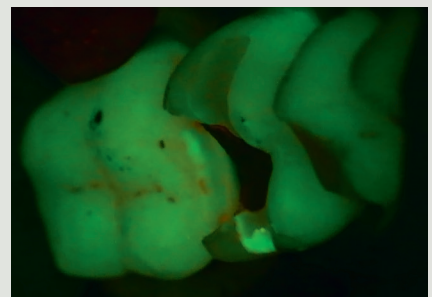
Identification of carious tissue under microscope visualization saves precious time as there is no need to interrupt the workflow for visual support.



*Fluorescence Mode*



*Treatment using the Fluorescence Mode*



*Result after treatment using the Fluorescence Mode*

*Images courtesy of Dr. Tomas Lang, Essen, Germany*

<sup>1</sup> *Jahrbuch der Endodontie 2017, Marktübersicht Mikroskope, OEMUS Verlag*

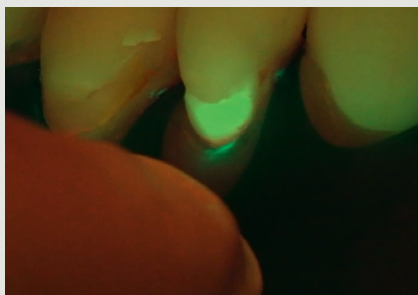


*The Mode Control allows activation of all visual modes on one interface.*

# See the Difference

## Identify the border between natural and artificial tooth material.

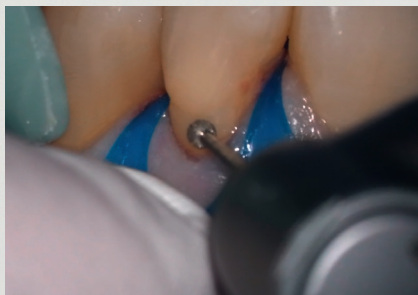
The **Fluorescence Mode** in ZEISS EXTARO 300 also supports you in distinguishing natural hard tooth tissue from the most widely used dental composite resin<sup>2</sup>. Using this clear visual differentiation will help you to target the affected area quickly, saving you valuable chair time.



*Fluorescence Mode*



*Treatment using the Fluorescence Mode*



*Magnified view*

*Images courtesy of Dr. Tom Schloss,  
Nuremberg, Germany*

<sup>2</sup> For specifications see user manual

# See in True Light

## **Analyze and restore teeth without distracting reflections.**

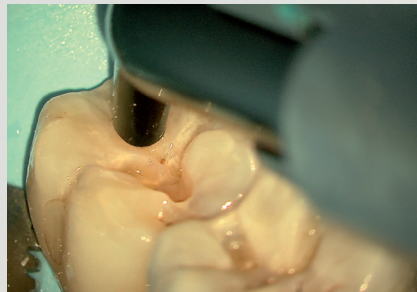
As the first device to combine polarized illumination with magnification, the **NoGlare Mode** in ZEISS EXTARO 300 allows you to precisely analyze the color shades of a tooth. The cross-polarization capability visualizes fine, but relevant details such as color nuances. It effectively suppresses obtrusive light reflections from the tooth surface.

## **Prevent premature composite curing while working in a natural light environment.**

Similar to the existing Orange Color Mode, the **TrueLight Mode** in ZEISS EXTARO 300 does not cause premature polymerization of widely-used, contemporary light-curing composites under the microscope, giving you more time to finish complex modeling tasks. The new optimized color balance of the TrueLight Mode now allows you to identify relevant dental tissues in a natural, white-light setting.



*Magnified view*



*Filling composite using the TrueLight Mode*



*Modeling of composite using the TrueLight Mode*

*Images courtesy of Oscar Freiherr von Stetten,  
Stuttgart, Germany*





# The Power of Digital Interaction

## **Benefit from a digital workflow.**

The integrated HD camera of ZEISS EXTARO 300 records wirelessly to the [ZEISS Connect App](#), from where images and videos can be directly transferred to your local network.

## **Easily educate your patients and show them the value of your work.**

ZEISS EXTARO 300 innovates patient interaction. With the ZEISS Connect App, you can show images of past and current patient conditions and highlight areas requiring treatment, enabling your patients to make informed decisions.



# Experience Single-Handed Operation

## A dental microscope for an uninterrupted workflow.

With only one finger you can reach the multifunctional [Mode Control](#) to activate all visualization and capture modes, as well as the light settings. From the same hand position, you can adjust the focus without leaving your preferred ergonomic working position.



*Activating the Visualization and Capture Modes and light settings*

### One finger suffices

Activate all the [Visualization Modes](#) to augment your vision and introduce new applications to microdentistry.

Use the [Capture Mode](#) to record videos and images for documentation purposes and to educate your patients. This helps them make an informed decision and value your expertise.

Control all light settings — the brightness as well as [SpotLight](#) — for a focused treatment. Your patient and assistant will not be irritated by intensive light while using a long working distance.



*Operating the Varioskop 230*

Use the [Varioskop® 230](#) to adjust the focal length to focus on the whole oral cavity and on minute details in the vertical axis.



*Varioskop 230  
operation*

*Variable working  
distance of  
200 – 430 mm*

# Technical Data

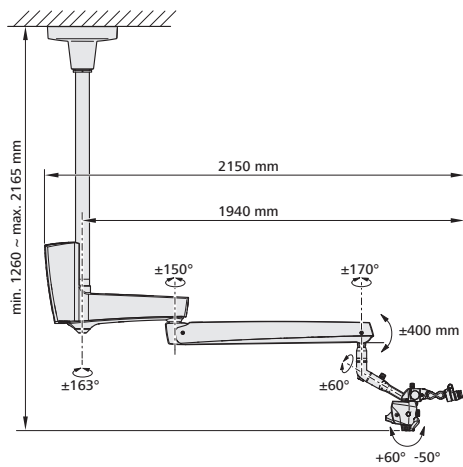
## EXTARO 300 from ZEISS

		Packages			
		Classic Plus	Fluorescence	Premium Dental	
<b>Magnification System</b>	Manual 5-step apochromatic magnification changer	●	●	●	
<b>Eyepieces</b>	12.5x widefield eyepieces	without reticle	●	●	
		with reticle	□	□	
	10x widefield eyepieces	without reticle	□	□	
		with reticle	□	□	
<b>Tube</b>	180° tiltable tube	●	●	●	
<b>Focus</b>	Varioskop 230, working distance 200–430 mm	●	●	●	
<b>Illumination System</b>	TriLED, 5500 K	●	●	●	
	Orange Color Mode	●	●	●	
	Green Color Mode	●	●	●	
<b>User Interface</b>	Ergonomic handgrip	●	●	●	
	Mode Control	●	●	●	
	Single finger adjustable illumination, focus and SpotLight (motorized aperture control)	●	●	●	
<b>Augmented Visualization</b>	Upgradable kit	●	●	●	
	Fluorescence Mode	○	●	○	
	TrueLight Mode	○	○	○	
	NoGlare Mode	○	○	○	
<b>Communication</b>	<b>Essential:</b> Integrated HD camera with recording on USB	□	●	○	
	<b>Complete:</b> Integrated HD camera with recording on USB or wireless recording to the ZEISS Connect App; network integration available for archiving purposes	□	□	●	
	DICOM	□	□	○	
	Adapter for digital cameras (Full-frame or APS-C)	○	□	□	
<b>Ergonomics</b>	Foldable Tube f170/f260 including the PROMAG function boosts to 150% magnification for a detailed view	□	□	□	
	MORA Interface – remain in an upright position regardless of the angle of view:	with documentation port	●	□	□
		without documentation port	□	□	●
Straight coupling (compatible with all suspension systems)	□	□	□		
<b>Illumination System</b>	LightBoost – Xenon equivalent light intensities	●	○	●	
<b>Asepsis</b>	Starter Kit Asepsis with high quality splash protection for the objective lens and resterilizable covers for Varioskop, Mode Control, magnification changer and PD adjustment	□	□	□	
	Starter Kit VisionGuard® drapes	□	□	□	

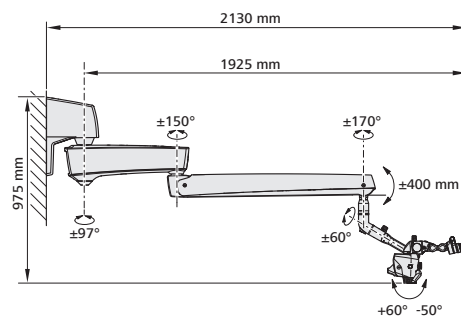
● Basic configuration   ○ Package options   □ Add-ons

## Suspension System Options

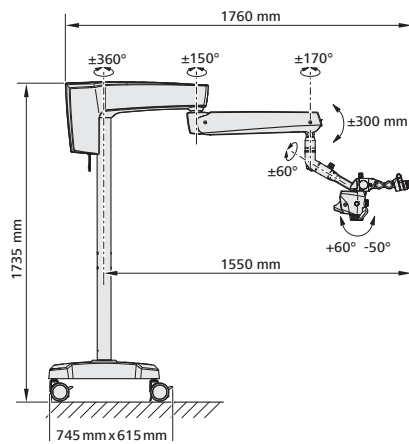
### Ceiling mount



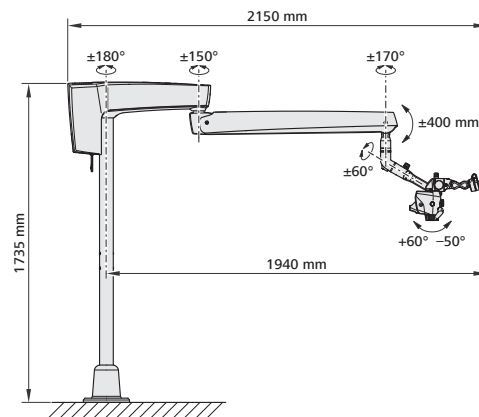
### Wall mount



### Floor stand



### Floor mount





**Carl Zeiss Suzhou Co., Ltd**  
Modern Industrial Square 3-B,  
No.333 Xingpu Road  
Suzhou Industrial Park, Suzhou  
China 215126  
Phone: +86 512 6287 1388  
Fax: +86 512 6287 1366



**Carl Zeiss Meditec AG**  
Goeschwitzer Strasse 51–52  
07745 Jena, Germany  
Phone: +49 36 41 22 03 33  
Fax: +49 36 41 22 01 12  
[www.zeiss.com/med/contacts](http://www.zeiss.com/med/contacts)  
[www.zeiss.com/dentistry/extaro-300](http://www.zeiss.com/dentistry/extaro-300)



**Carl Zeiss Meditec, Inc.**  
5160 Hacienda Drive  
Dublin, CA 94568  
USA  
[www.zeiss.com/med](http://www.zeiss.com/med)

**SUR.8607 Rev C** Printed in United States. CZ-VI/2018 United States edition. Only for sale in selected countries.  
The contents of the brochure may differ from the current status of approval of the product or service offering in your country. Please contact our regional representatives for more information. Subject to changes in design and scope of delivery and due to ongoing technical development. EXTARO, Varioskop and VisionGuard are either trademarks or registered trademarks of Carl Zeiss Meditec AG or other companies of the ZEISS Group in Germany and other countries.  
© Carl Zeiss Meditec Inc. 2018. All rights reserved.