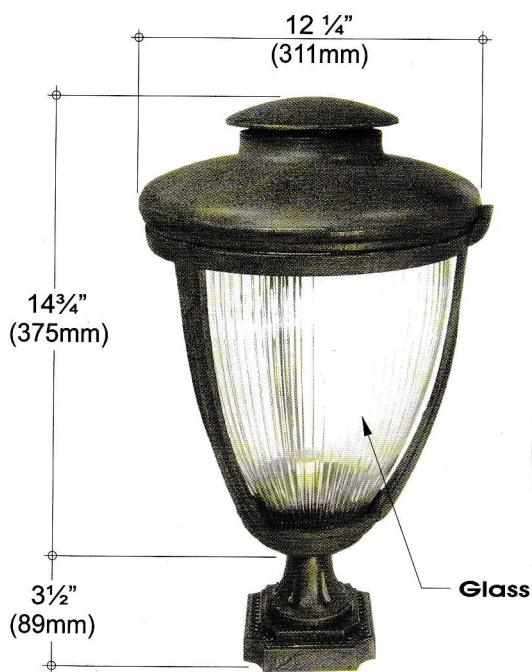


AMCO ANTIQUE LAMP POST WITH CASTLE LANTERN AND ACCESSORIES

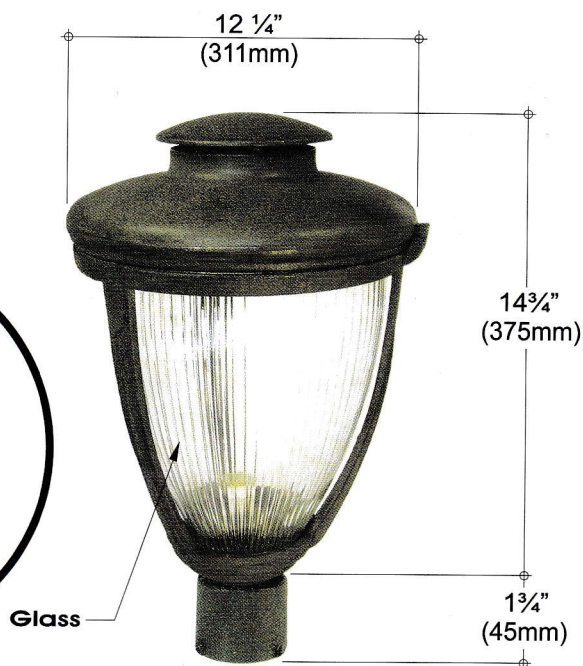


BASE TYPE

MAX. 250W

MODEL NO.

AP - C - 14



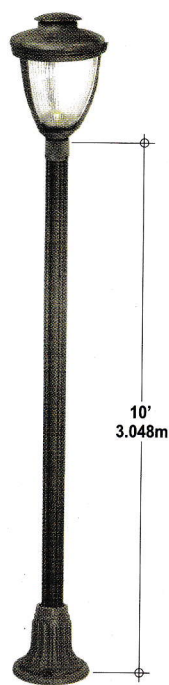
COUPLING TYPE 2"

MAX. 250W

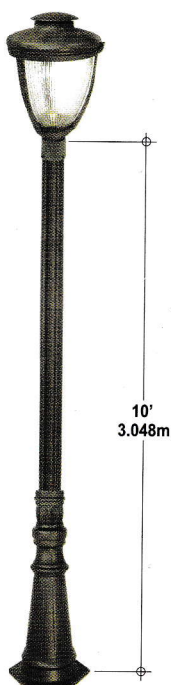
MODEL NO.

AP - C - 14 - C

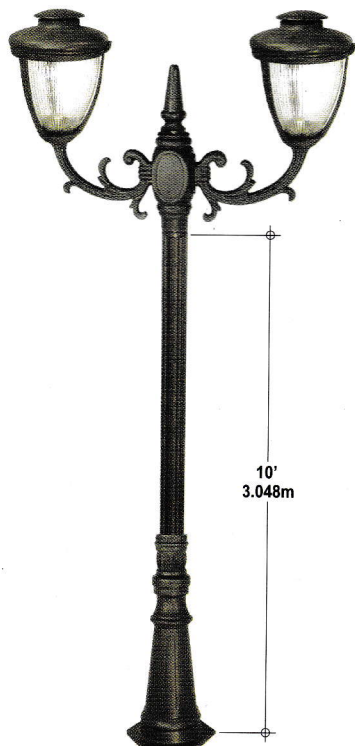
CASTLE LANTERN WITH DECORATIVE POST AND BASE STAND



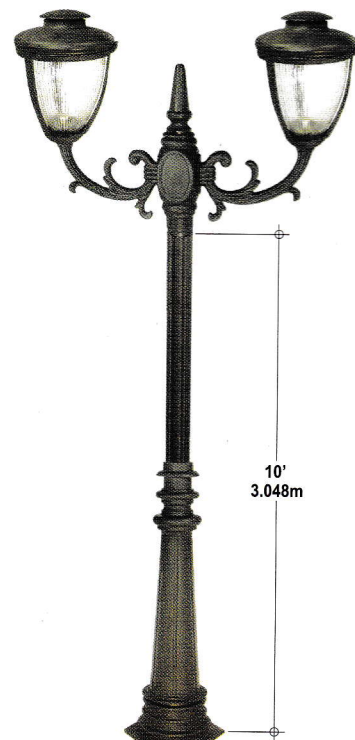
MODEL NO.
AP-C-14-1P



MODEL NO.
AP-C-14-1PM



MODEL NO.
AP-C-14-2PM



MODEL NO.
AP-C-14-2PB