

**LEGENDS/SYMBOLS**

FINISHED WOOD	PLYWOOD
DIMENSION LUMBER	BATT INSULATION
FACE BRICK	GROUT
RIGID INSULATION	GLAZED TILE
CUT STONE	MARBLE
CONCRETE	ACOUSTICAL CEILING
CONCRETE BLOCK	SHIM PACK
STEEL IN SECTION	ALUMINUM
DENOTES BLOCKING OR SHIM, NOT CONTINUOUS, NOT NECESSARILY ONE PIECE-NOT BY SPRINGFIELD GLS.	
DENOTES BACKER ROD OR CAULK ROPE	
WIND LOAD ANCHOR LOCATION	
DEAD LOAD ANCHOR LOCATION	
FASTENER LOCATION	
DIMENSIONAL REFERENCE / ELEVATION	
GLAZING INDICATION NUMBER	
2 ← DETAIL NUMBER	
3.01 ← SHEET NUMBER	
1 ← DETAIL NUMBER	
3.01 ← SHEET NUMBER	
RE: 1C/A7.02 ← ARCHITECTURAL REFERENCE	
A ← WINDOW REFERENCE	
WINDOW MARK	
REVISION NO. (SMALL TRIANGLE)	
DOOR NUMBERS	
ELEVATION LOCATION-VIEW POINT	
ELEVATION MARK/TITLE	
ELEVATION SHEET NUMBER	
DENOTES NORTH DIRECTION	

# CONVOY OF HOPE

## GLOBAL HEADQUARTERS AND TRAINING CENTER

7200 W. CARNAHAN STREET  
SPRINGFIELD, MO 65802

**ARCHITECT:**  
**BUXTON KUBIK DODD DESIGN COLLECTIVE**  
 3100 S. NATIONAL AVENUE  
 SUITE 300  
 SPRINGFIELD, MO 65807  
 P: 417.890.5543  
 F: 417.890.5563

**ERECTOR**  
**SPRINGFIELD GLASS CO.**  
 2503 NORTH OAK GROVE AVENUE  
 SPRINGFIELD, MO 65803  
 P: 417.883.6555

THE FOLLOWING DOCUMENTS WERE USED TO PRODUCE SHOP DRAWINGS

ARCHITECTURAL DRAWINGS DATED 04.21.2022

CUSTOMER TAKEOFF: YES

SPECIFICATIONS: YES

ADDENDUM: NA

OTHER: NA

**INDEX**

SHEET NUMBER	DESCRIPTION
.01	COVER SHEET
.02	GLASS/DOOR SCHEDULE & HARDWARE INFORMATION
1.01-1.06	FLOOR PLANS
2.01-2.48	ELEVATIONS
3.01-3.49	DETAILS

**ABBREVIATIONS**

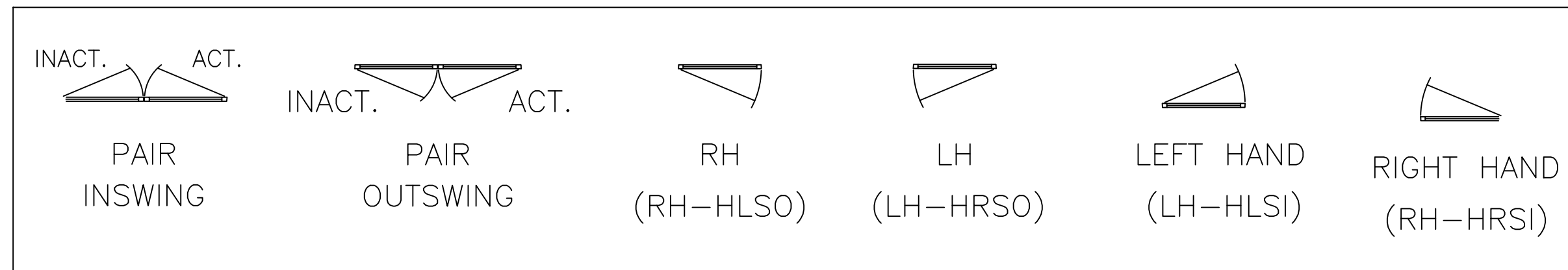
A/C = ACCESS CONTROLLED	N.I.C. = NOT IN CONTRACT
A.F.F. = ABOVE FINISHED FLOOR	N.T.S. = NOT TO SCALE
B.O. = BY OTHERS	O.D. = OPENING DIMENSION
B.O.H. = BOTTOM OF HORIZONTAL	O.F.D. = OVERALL FRAME DIMENSION
C.L. = CENTER LINE	REF. = REFERENCE
DIM. = DIMENSION	R.O. = ROUGH OPENING
D.L.O. = DAYLIGHT OPENING	T.O.F.F. = TOP OF FINISHED FLOOR
D.L. = DEAD LOAD (ANCHOR)	T.O.H. = TOP OF HORIZONTAL
D.O. = DOOR OPENING	B.O.M.R. = BOTTOM OF MID RAIL
EL. = ELEVATION	T.O.S. = TOP OF SLAB
F.F. = FINISH FLOOR	T.O.STL. = TOP OF STEEL
F.S. = FRAME SIZE	U.N.O. = UNLESS NOTED OTHERWISE
G.C. = GENERAL CONTRACTOR	W.C. = WEB CENTER
M.O. = MASONRY OPENING	W.D. = WINDOW DIMENSION
M.L. = MULLION LENGTH	W.L. = WIND LOAD (ANCHOR)
N.B.S.G.= NOT BY SPRINGFIELD GLASS	W.P. = WORKING POINT



	7.20.22	DATE
1ST SUBMISSION	8.3.22	DATE
1ST REVISION		DESCRIPTION
NO		DRAWING SUBMISSION
<b>PROJECT:</b> CONVOY OF HOPE GLOBAL HEADQUARTERS AND TRAINING CENTER		
<b>LOCATION:</b> 7200 W. CARNAHAN STREET SPRINGFIELD, MO 65802		
<b>SPRINGFIELD GLASS COMPANY</b> 2503 NORTH OAK GROVE AVE. SPRINGFIELD, MO 65803 P: 417.883.6555		
DRAWN BY: DJ	DATE: 7.20.22	
CHECKED BY: RD	DATE: 7.20.22	
<b>0.01</b>		

## DOOR SCHEDULE

DOOR	SIZE	HAND	DOOR TYPE	FRAME	FRAMING	HARDWARE	LOCATION
100	6'-0" X 8'-0"	PRSO	ALUM/GLASS	SF1	451	1	VESTIBULE 100
100A	6'-0" X 8'-0"	PRSO	ALUM/GLASS	SF1	451	1	VESTIBULE 100
100B	6'-0" X 8'-0"	PRSO	ALUM/GLASS	SF1	451	1	VESTIBULE 100
120	6'-0" X 8'-0"	PRSO	ALUM/GLASS	SF5	451	1	VESTIBULE 120
125	3'-0" X 8'-0"	RH-HLSO	ALUM/GLASS	SF6	451	2	CORRIDOR 125
139	6'-0" X 8'-0"	PRSO	ALUM/GLASS	SF10	451	1	VESTIBULE 139
139A	6'-0" X 8'-0"	PRSO	ALUM/GLASS	SF10	451	1	VESTIBULE 139
139B	6'-0" X 8'-0"	PRSO	ALUM/GLASS	SF10	451	1	VESTIBULE 139
161	6'-0" X 8'-0"	PRSO	ALUM/GLASS	SF13	451	1	STAIR #3 161
302	6'-0" X 8'-0"	PRSO	ALUM/GLASS	SF32	451	3	OUTDOOR PATIO 335
325A	3'-0" X 8'-0"	RH-HLSO	ALUM/GLASS	SF33	451	3	OUTDOOR PATIO 335



### DOOR INFORMATION & HARDWARE NOTES:

- EXTERIOR STOREFRONT DOORS ARE KAWNEER STANDARD 500 WIDE STILE WITH A 10" BOTTOM RAIL TO ACCEPT 1" GLAZING.
- HARDWARE FOR STOREFRONT DOORS IS TO BE SUPPLIED AND INSTALLED BY SPRINGFIELD GLASS.

#### DOOR HARDWARE #1:

- VD99-EO-26D PANICS
- 1100MD-NL-26D NIGHT LATCH
- KR 4954-SP28 REMOVABLE MULLION
- LCN CLOSER
- RW BF159-32D PULLS
- STANDARD WEATHER STRIPPING
- STANDARD THRESHOLD
- HES 9600-360 ELECTRIC STRIKE

#### DOOR HARDWARE #2:

- VD99-EO-26D PANICS
- 1100MD-NL-26D NIGHT LATCH
- LCN CLOSER
- RW BF159-32D PULLS
- STANDARD WEATHER STRIPPING
- STANDARD THRESHOLD

#### DOOR HARDWARE #3:

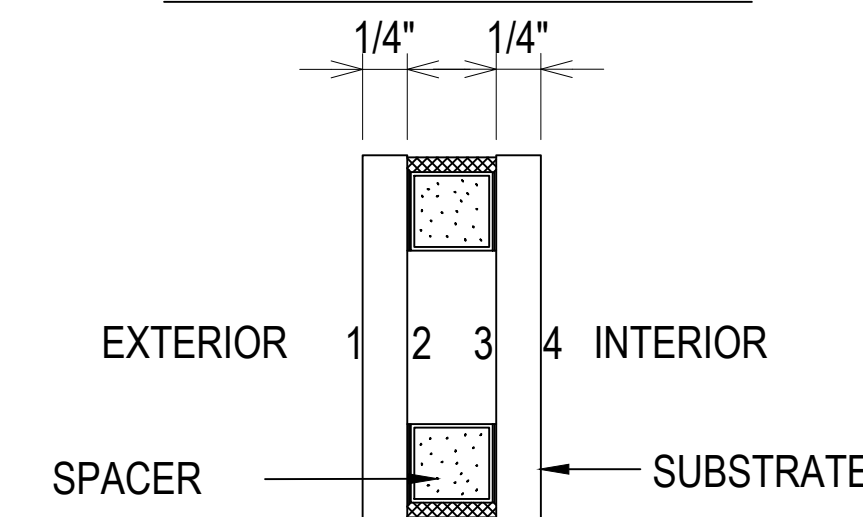
- MS LOCK
- LCN CLOSER
- RW BF15847CT3-32D PUSH/PULL
- STANDARD WEATHER STRIPPING
- STANDARD THRESHOLD

## GLASS SCHEDULE

GLAZING TYPE	DESCRIPTION
GL3	1" INSULATED VISION - TEMPERED - 1/4" CLEAR TEMPERED W/ R100 ON #2 - 1/2" SPACER - 1/4" CLEAR TEMPERED
GL4	1" INSULATED VISION - 1/4" CLEAR HEAT STRENGTHENED W/ R100 ON #2 - 1/2" SPACER - 1/4" CLEAR HEAT STRENGTHENED
GL4A	1" INSULATED VISION - 1/4" CLEAR HEAT STRENGTHENED W/ R100 ON #2 - 1/2" SPACER - 1/4" CLEAR ANNEALED
GL5	1" INSULATED SPANDREL - 1/4" CLEAR HEAT STRENGTHENED W/ R100 ON #2 - 1/2" SPACER - 1/4" CLEAR HEAT STRENGTHENED W/ COLOR 933 WARM GRAY FRIT ON #4

ARCH/GC GLASS NOTES:  
ALL GLAZING TYPES LISTED HERE ARE BASIC DESCRIPTIONS.  
REFERENCE SPRINGFIELD GLASS CO. SEPARATE SUBMITTALS FOR A COMPLETE GLASS SCHEDULE.

### GLASS SURFACE ILLUSTRATION:



### WINDOW SYSTEMS:

EXTERIOR CURTAIN WALL:  
KAWNEER 1620 - 2" X 7 1/2"  
TO ACCEPT 1" GLASS.

KAWNEER 1620 SSG - 2" X 7 1/2"  
TO ACCEPT 1" GLASS.

EXTERIOR STOREFRONT:  
KAWNEER TRIFAB VG 451T - 2" X 4 1/2" THERMALLY BROKEN  
FRONT SET TO ACCEPT 1" GLASS.

KAWNEER TRIFAB VG 451T STICK FAB SSG - 2" X 4 1/2" THERMALLY BROKEN  
FRONT SET TO ACCEPT 1" GLASS.

FINISH:  
CLEAR ANODIZED

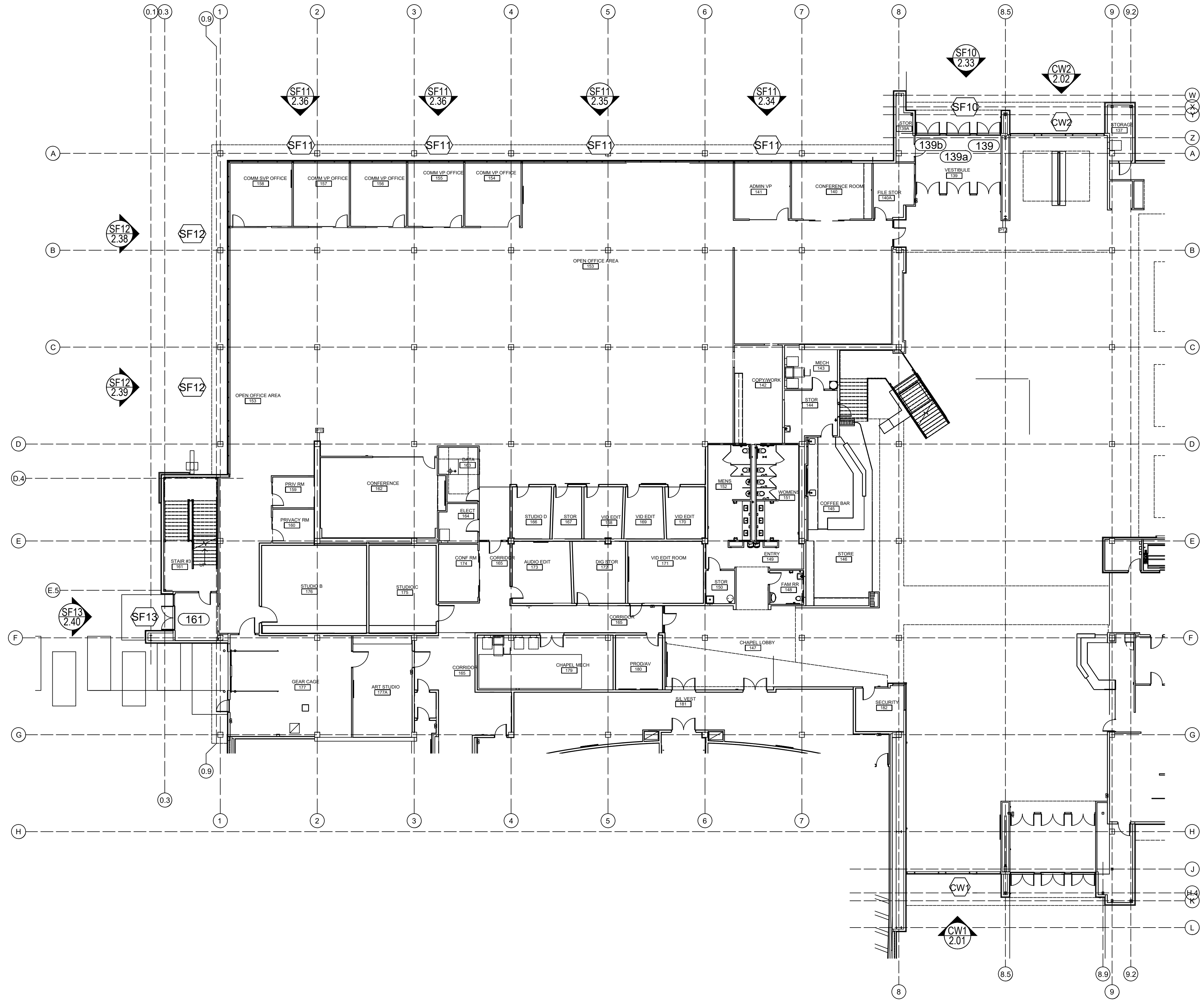
1ST SUBMISSION	7.20.22	1ST REVISION	8.3.22	DATE
SPRINGFIELD GLASS COMPANY 2503 NORTH OAK GROVE AVE. SPRINGFIELD, MO 65803 P: 417.883.6555				
PROJECT: CONVOY OF HOPE GLOBAL HEADQUARTERS AND TRAINING CENTER LOCATION: 7200 W. CARNAHAN STREET SPRINGFIELD, MO 65802				
DRAWN BY: DJ	DATE: 7.20.22	CHECKED BY: RD	DATE: 7.20.22	DRAWING SUBMISSION
0.02				

1ST SUBMISSION	7.20.22
1ST REVISION	8.3.22
	DATE
DRAWING SUBMISSION	

**SPRINGFIELD GLASS COMPANY**  
**2503 NORTH OAK GROVE AVE.**  
**SPRINGFIELD, MO 65803**  
**P: 417.883.6555**

**PROJECT:** CONVOY OF HOPE  
**GLOBAL HEADQUARTERS**  
**AND TRAINING CENTER**  
**LOCATION:** 7200 W. CARNAHAN STREET  
**SPRINGFIELD, MO 65802**

DRAWN BY:	DATE:
DJ	7.20.22
CHECKED BY:	DATE:
RD	7.20.22



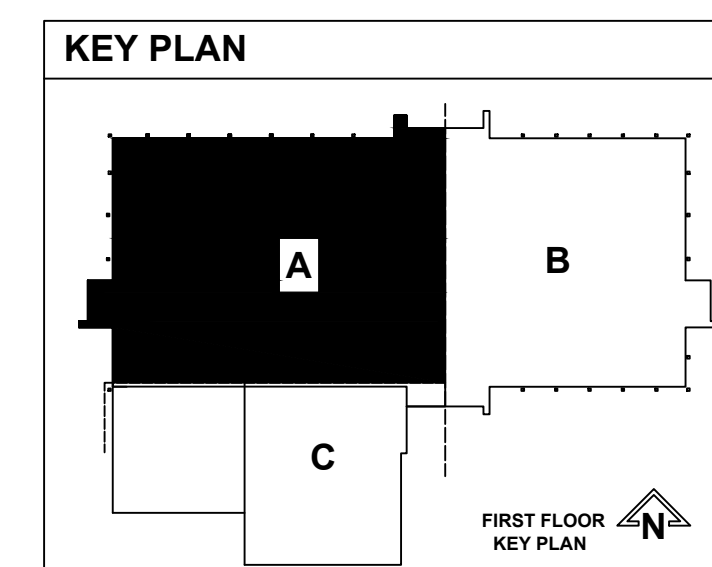
**ARCH / G.C. NOTE:**

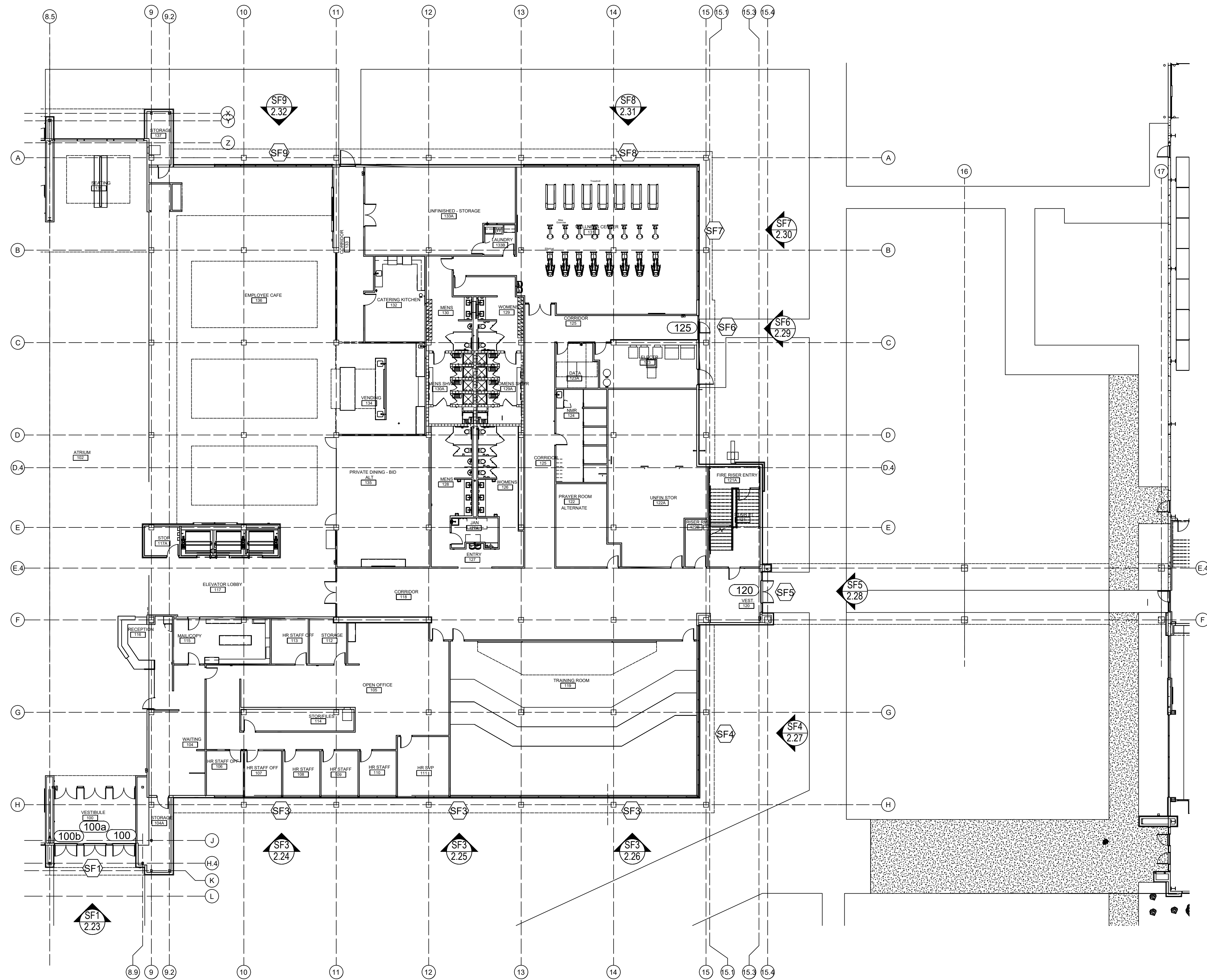
FLOOR PLANS ARE PROVIDED FOR OPENING TYPE LOCATION ONLY. REFER TO SPECIFIC MARK ELEVATIONS FOR SIZE REFERENCE DIMENSIONING, MULLION SPACING, ETC.

**FIRST FLOOR PLAN - AREA A**

NTS

ARCH. REF.: A1-1





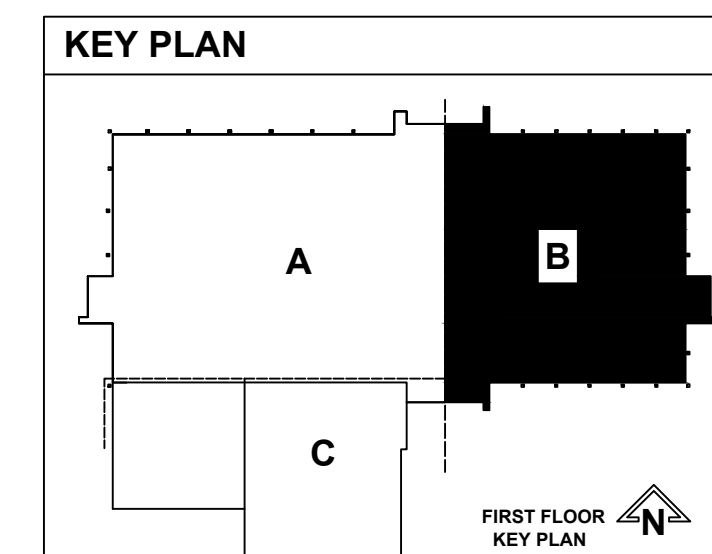
**ARCH / G.C. NOTE:**

FLOOR PLANS ARE PROVIDED FOR OPENING TYPE LOCATION ONLY. REFER TO SPECIFIC MARK ELEVATIONS FOR SIZE REFERENCE DIMENSIONING, MULLION SPACING, ETC.

**FIRST FLOOR PLAN - AREA B**

NTS

ARCH. REF.: A1-2



7.20.22	1ST SUBMISSION
8.3.22	1ST REVISION
	DATE
	DRAWING SUBMISSION

PROJECT: CONVOY OF HOPE  
 GLOBAL HEADQUARTERS  
 AND TRAINING CENTER  
 LOCATION: 7200 W. CARNAHAN STREET  
 SPRINGFIELD, MO 65802

CLIENT: SPRINGFIELD GLASS COMPANY  
 2503 NORTH OAK GROVE AVE.  
 SPRINGFIELD, MO 65803  
 P: 417.883.6555

DATE:	7.20.22
CHECKED BY:	RD
DATE:	7.20.22

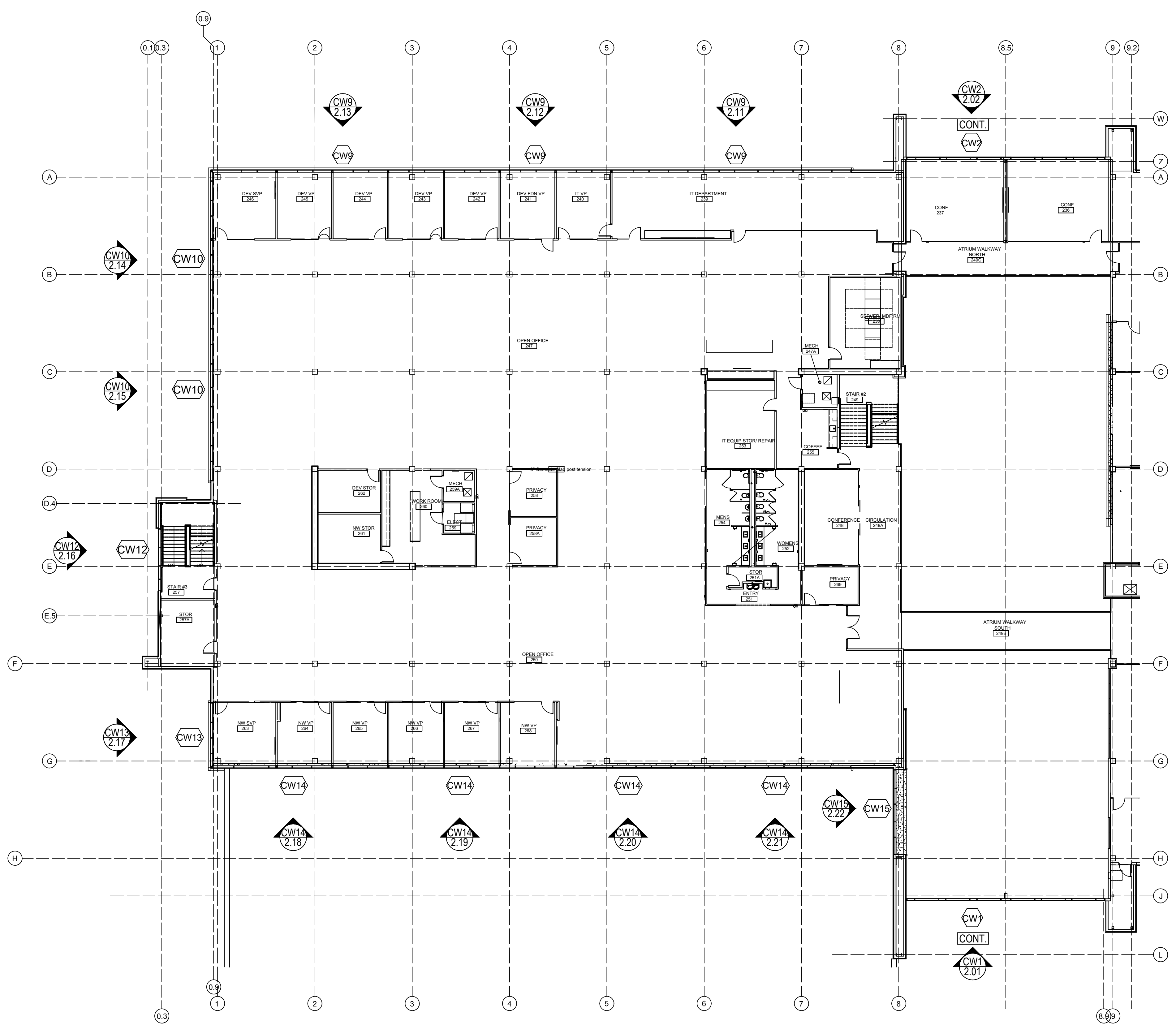
**1.02**

7.20.22	1ST SUBMISSION
8.3.22	1ST REVISION
	DATE

**SPRINGFIELD GLASS COMPANY**  
 2503 NORTH OAK GROVE AVE.  
 SPRINGFIELD, MO 65803  
 P: 417.883.6555

PROJECT: CONVOY OF HOPE  
 GLOBAL HEADQUARTERS  
 AND TRAINING CENTER  
 LOCATION: 7200 W. CARNAHAN STREET  
 SPRINGFIELD, MO 65802

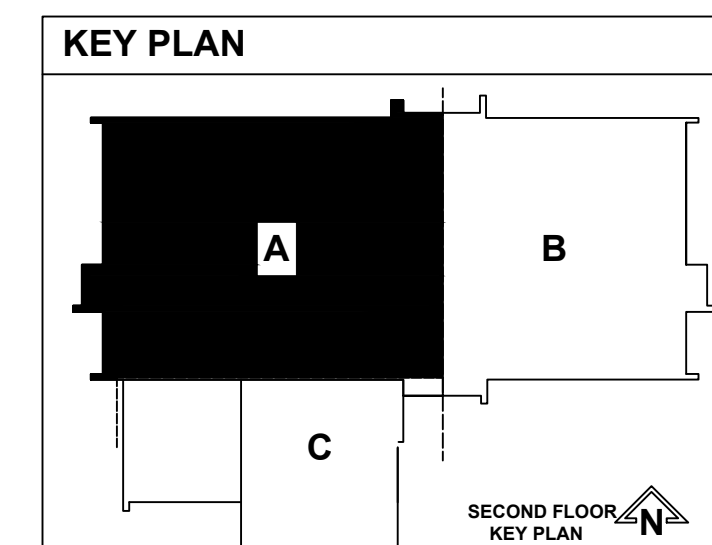
DRAWN BY: DJ	DATE: 7.20.22
CHECKED BY: RD	DATE: 7.20.22

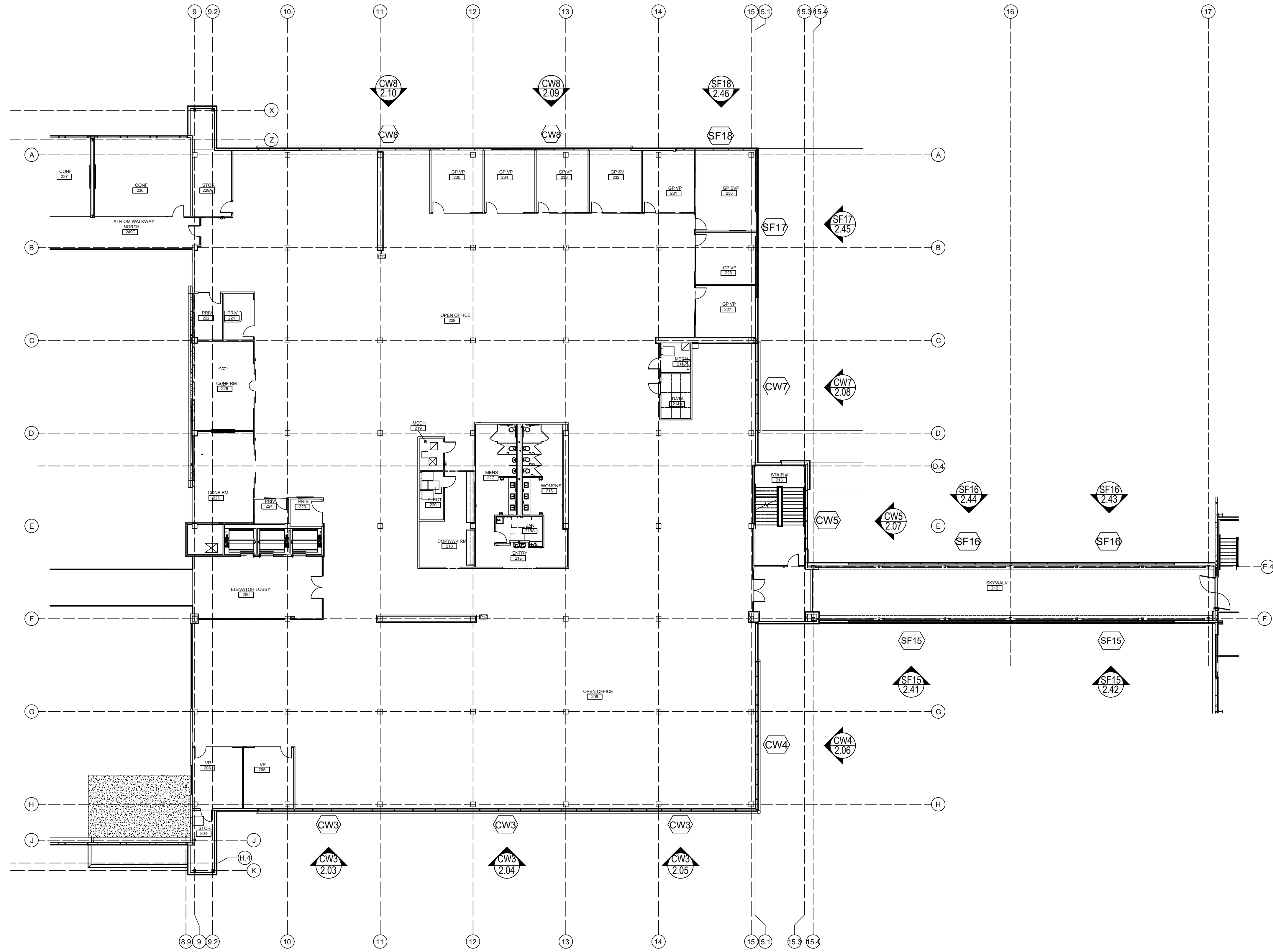


**SECOND FLOOR PLAN - AREA A**  
 NTS ARCH. REF.: A1-4

**ARCH / G.C. NOTE:**

FLOOR PLANS ARE PROVIDED FOR OPENING TYPE LOCATION ONLY. REFER TO SPECIFIC MARK  
 ELEVATIONS FOR SIZE REFERENCE DIMENSIONING, MULLION SPACING, ETC.





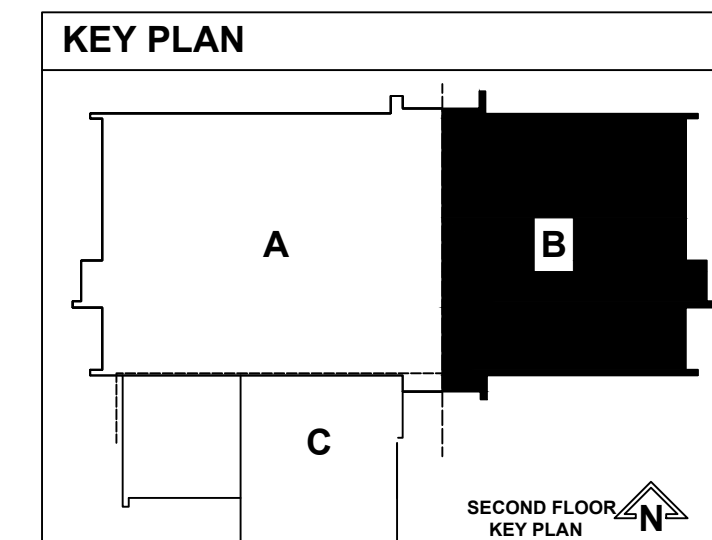
**ARCH / G.C. NOTE:**

FLOOR PLANS ARE PROVIDED FOR OPENING TYPE LOCATION ONLY. REFER TO SPECIFIC MARK ELEVATIONS FOR SIZE REFERENCE DIMENSIONING, MULLION SPACING, ETC.

**SECOND FLOOR PLAN - AREA B**

NTS

ARCH. REF.: A1-5



7.20.22	1ST SUBMISSION
8.3.22	1ST REVISION
	DATE
	DRAWING SUBMISSION

SPRINGFIELD GLASS COMPANY  
 2503 NORTH OAK GROVE AVE.  
 SPRINGFIELD, MO 65803  
 P: 417.883.6555

PROJECT: CONVOY OF HOPE  
 GLOBAL HEADQUARTERS  
 AND TRAINING CENTER  
 LOCATION: 7200 W. CARNAHAN STREET  
 SPRINGFIELD, MO 65802

DRAWN BY: DJ	DATE: 7.20.22
CHECKED BY: RD	DATE: 7.20.22

7.20.22	1ST SUBMISSION
8.3.22	1ST REVISION
	DATE
	DRAWING SUBMISSION

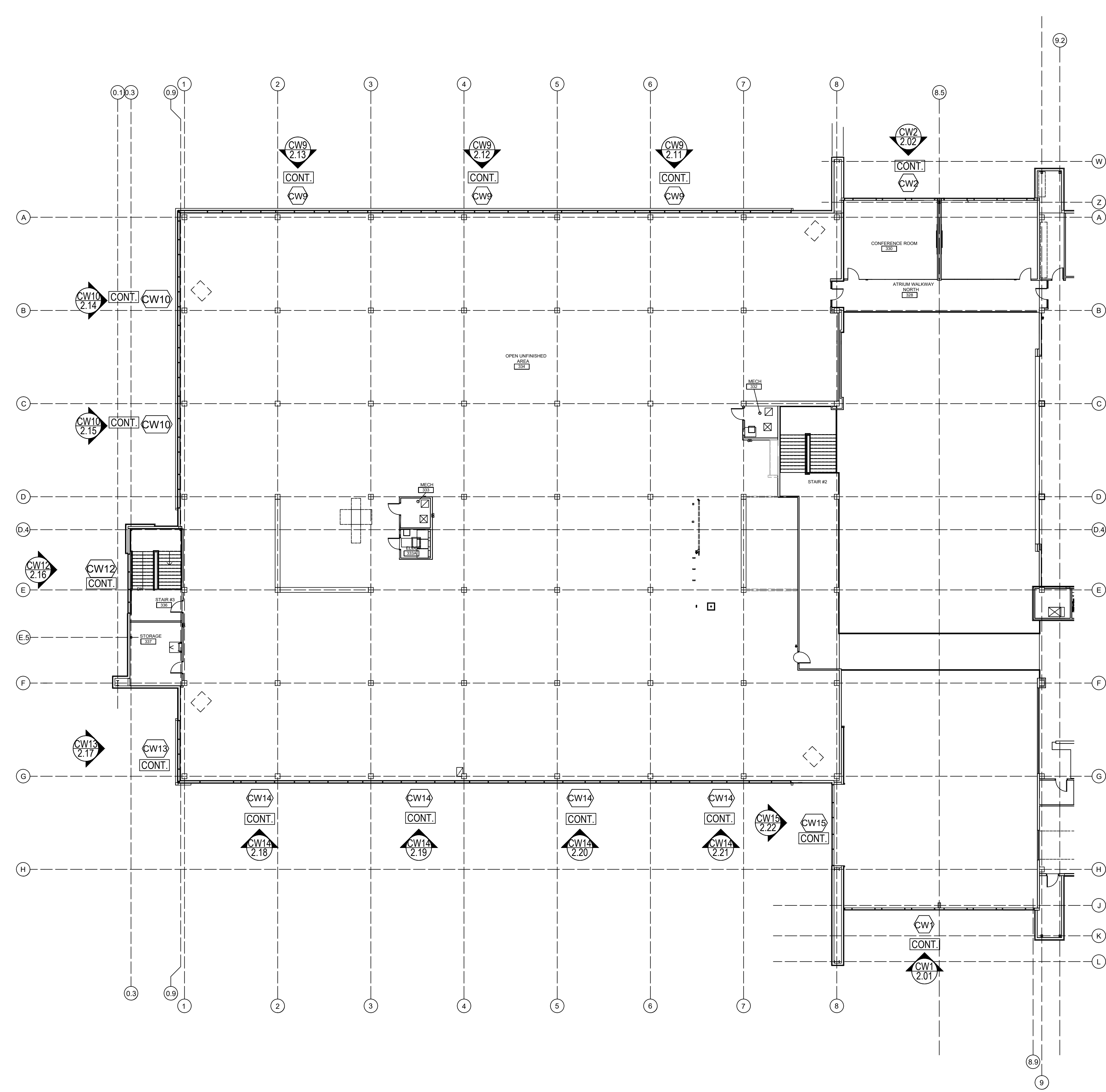
SPRINGFIELD GLASS COMPANY  
 2503 NORTH OAK GROVE AVE.  
 SPRINGFIELD, MO 65803  
 P: 417.883.6555

PROJECT: CONVOY OF HOPE  
 GLOBAL HEADQUARTERS  
 AND TRAINING CENTER

LOCATION: 7200 W. CARNAHAN STREET  
 SPRINGFIELD, MO 65802

DRAWN BY: DJ	DATE: 7.20.22
CHECKED BY: RD	DATE: 7.20.22

**1.05**

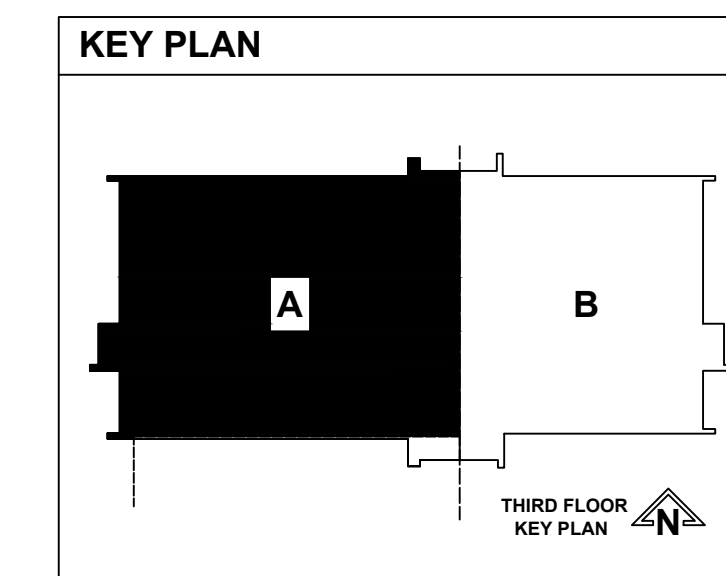


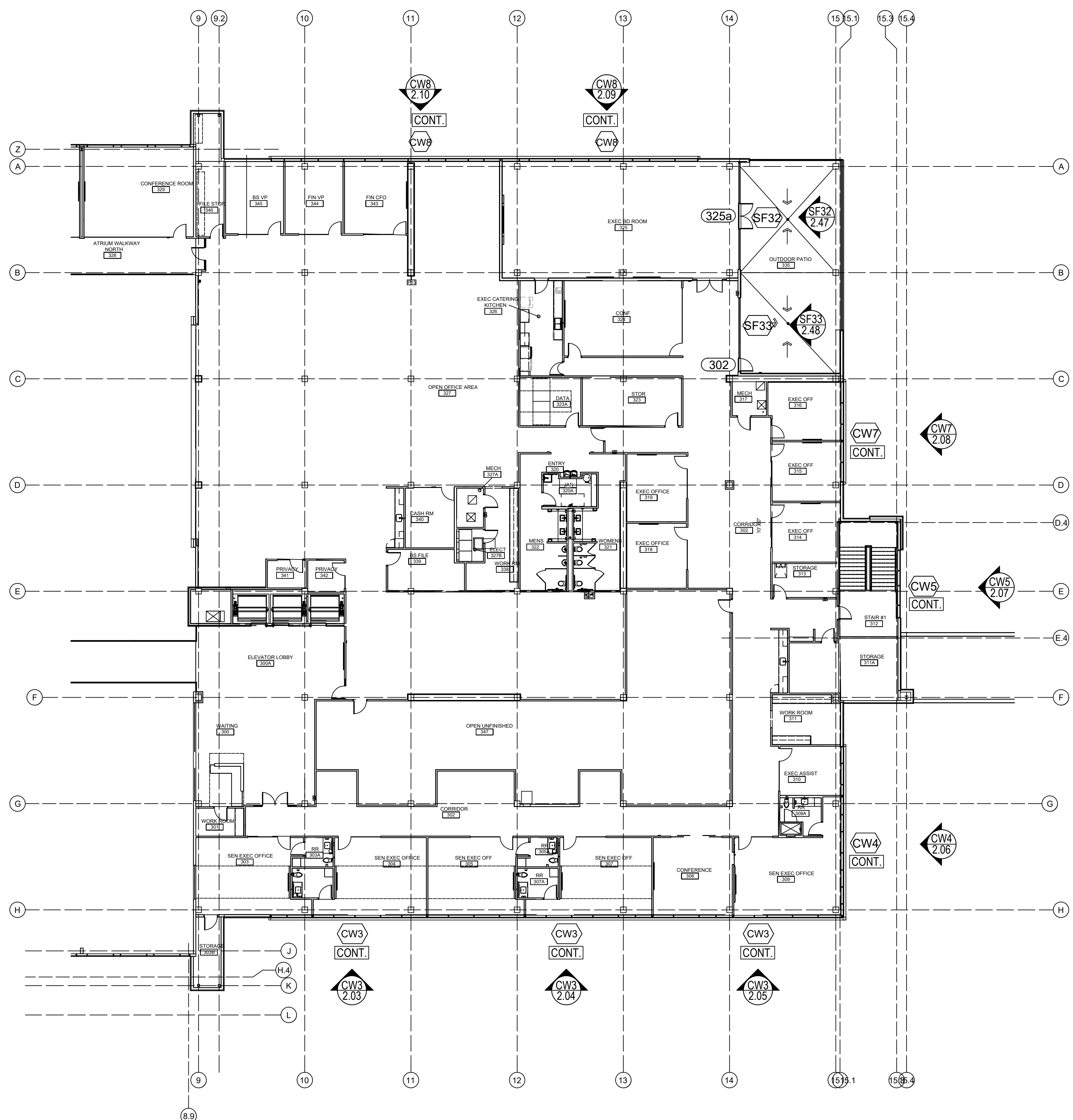
**ARCH / G.C. NOTE:**

FLOOR PLANS ARE PROVIDED FOR OPENING TYPE LOCATION ONLY. REFER TO SPECIFIC MARK ELEVATIONS FOR SIZE REFERENCE DIMENSIONING, MULLION SPACING, ETC.

**THIRD FLOOR PLAN - AREA A**

NTS ARCH. REF.: A1-6





**ARCH / G.C. NOTE:**

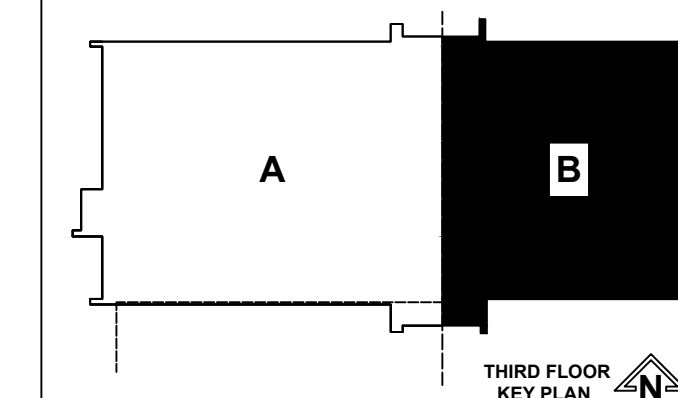
FLOOR PLANS ARE PROVIDED FOR OPENING TYPE LOCATION ONLY. REFER TO SPECIFIC MARK ELEVATIONS FOR SIZE REFERENCE DIMENSIONING, MULLION SPACING, ETC.

**THIRD FLOOR PLAN - AREA B**

NTS

ARCH. REF.: A1-7

**KEY PLAN**



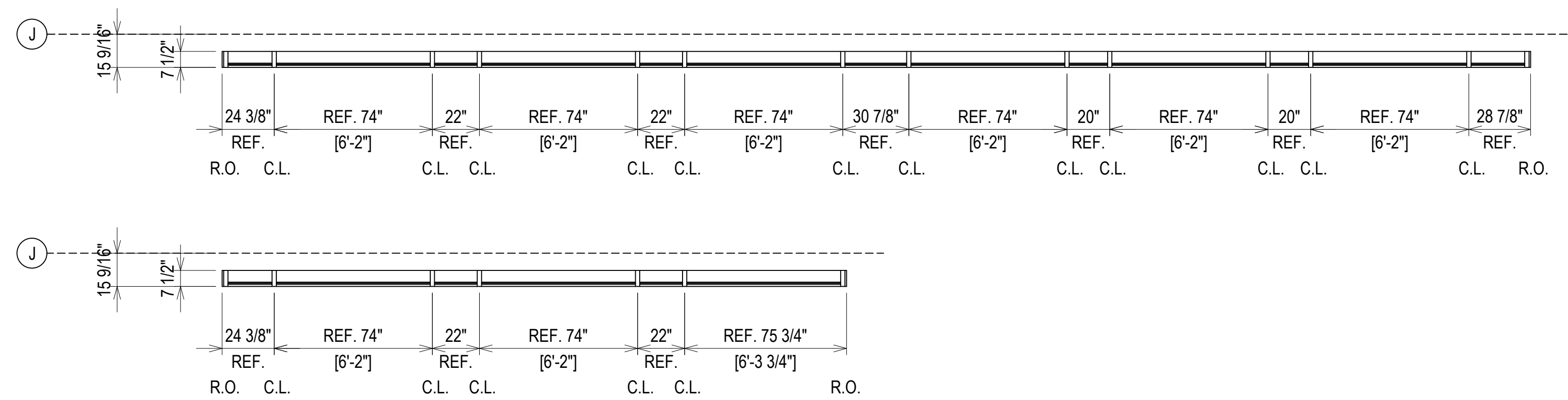
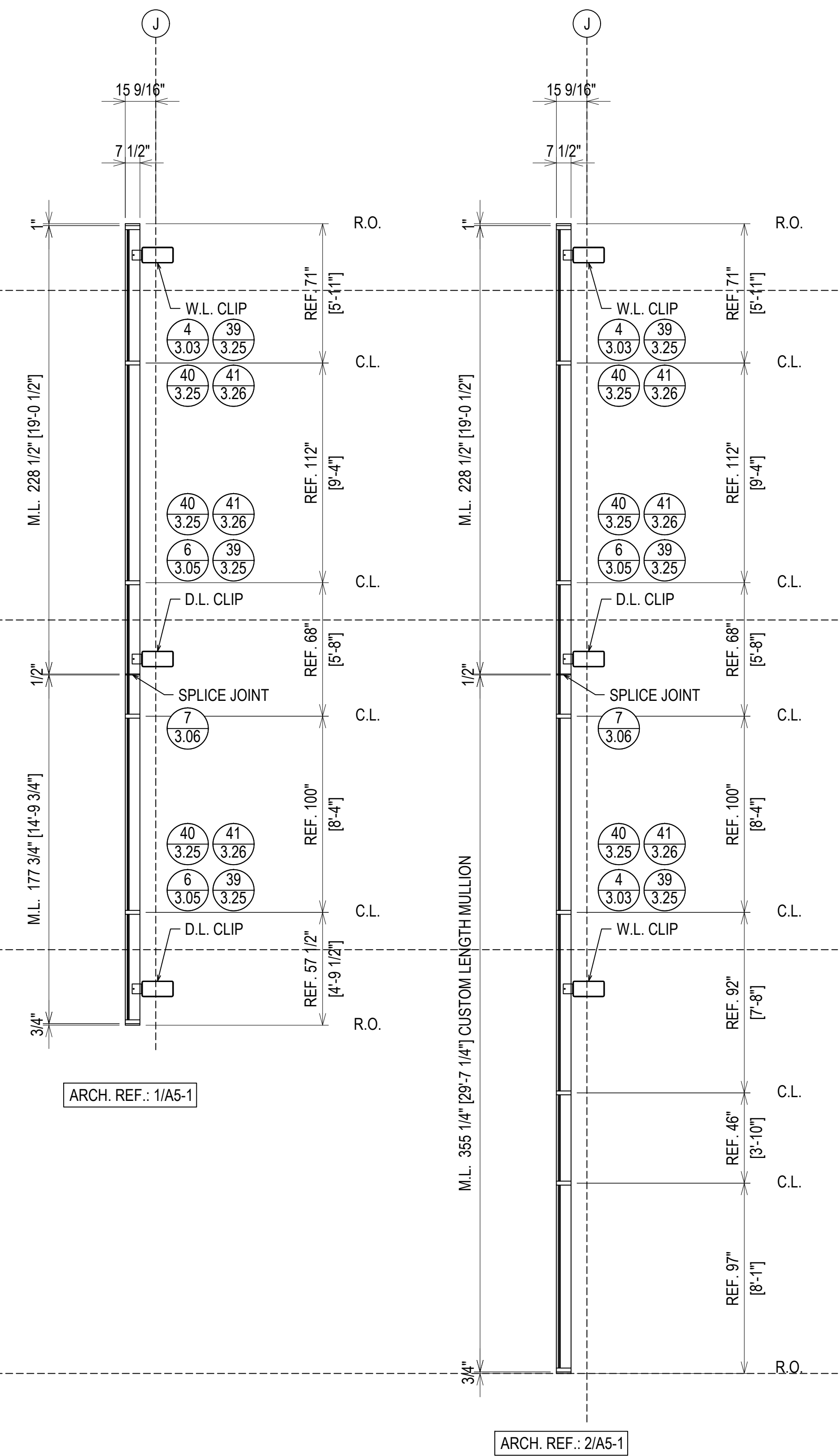
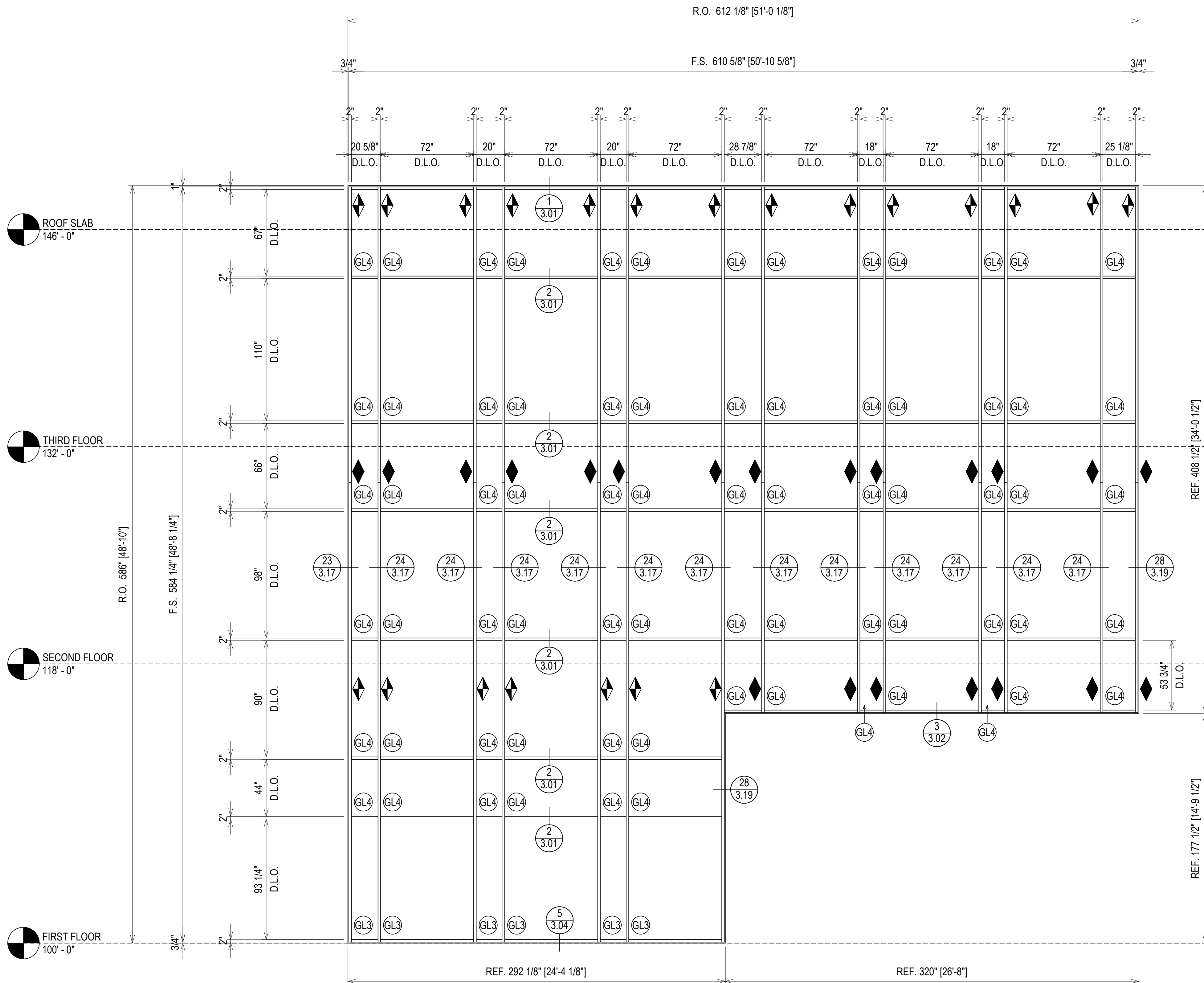
7.20.22	1ST SUBMISSION
8.3.22	1ST REVISION
	DATE
	DRAWING SUBMISSION

PROJECT: CONVOY OF HOPE  
 GLOBAL HEADQUARTERS  
 AND TRAINING CENTER  
 LOCATION: 7200 W. CARNAHAN STREET  
 SPRINGFIELD, MO 65802

CLIENT: SPRINGFIELD GLASS COMPANY  
 2503 NORTH OAK GROVE AVE.  
 SPRINGFIELD, MO 65803  
 P: 417.883.6555

DRAWN BY: DJ	DATE: 7.20.22
CHECKED BY: RD	DATE: 7.20.22

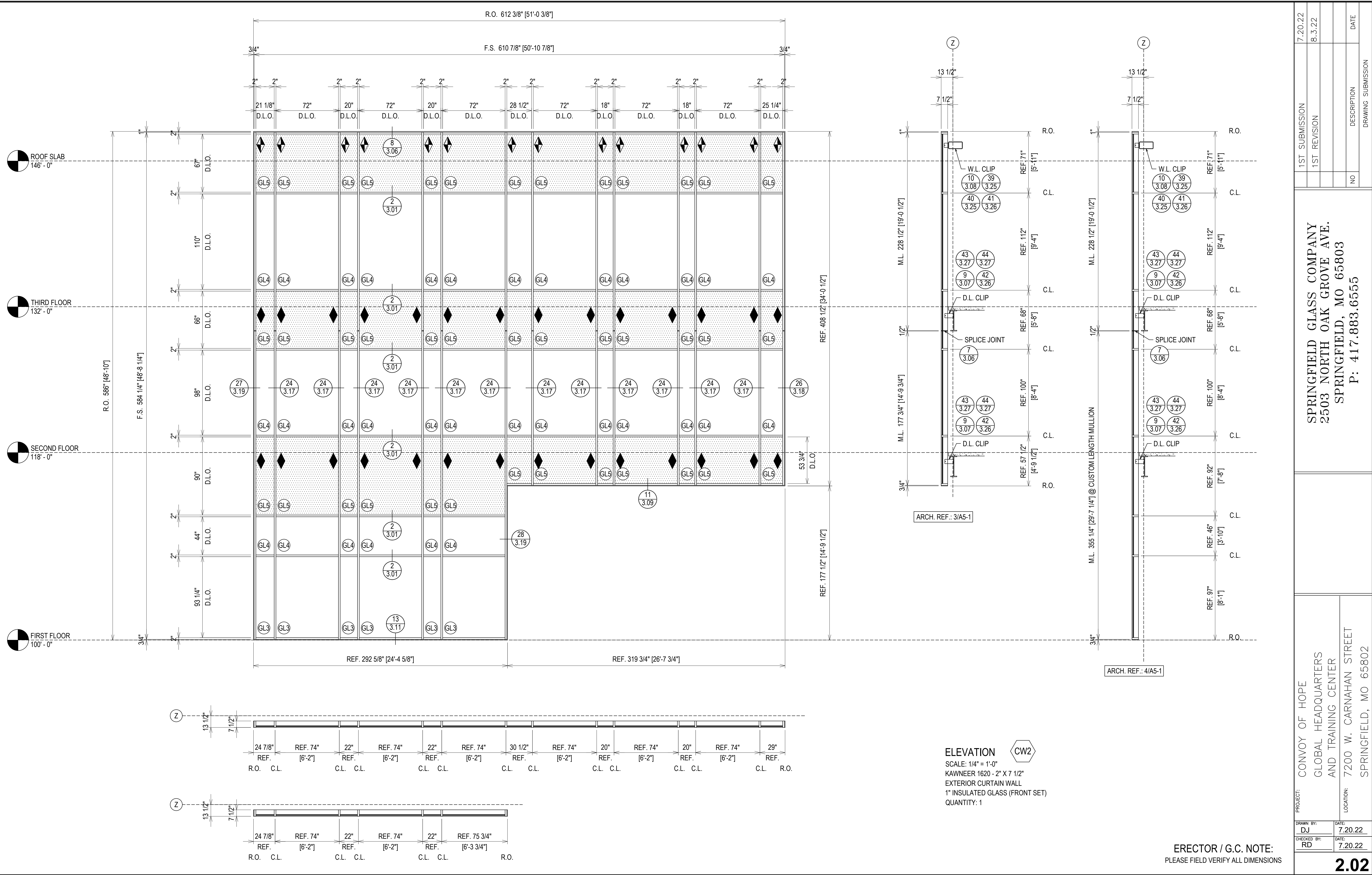




**ELEVATION** CW1  
 SCALE: 1/4" = 1'-0"  
 KAWNEER 1620 - 2" X 7 1/2"  
 EXTERIOR CURTAIN WALL  
 1" INSULATED GLASS (FRONT SET)  
 QUANTITY: 1

**ERECTOR / G.C. NOTE:**  
 PLEASE FIELD VERIFY ALL DIMENSIONS

PROJECT:	CONVOY OF HOPE GLOBAL HEADQUARTERS AND TRAINING CENTER	LOCATION:	7200 W. CARNAHAN STREET SPRINGFIELD, MO 65802
DRAWN BY:	DJ	DATE:	7.20.22
CHECKED BY:	RD	DATE:	7.20.22
1ST SUBMISSION	7.20.22	DESCRIPTION	DRAWING SUBMISSION
1ST REVISION	8.3.22	NO	
<b>SPRINGFIELD GLASS COMPANY</b> 2503 NORTH OAK GROVE AVE. SPRINGFIELD, MO 65803 P: 417.883.6555			
2.01			



1ST SUBMISSION	7.20.22
1ST REVISION	8.3.22
NO	
DESCRIPTION	DATE
DRAWING SUBMISSION	

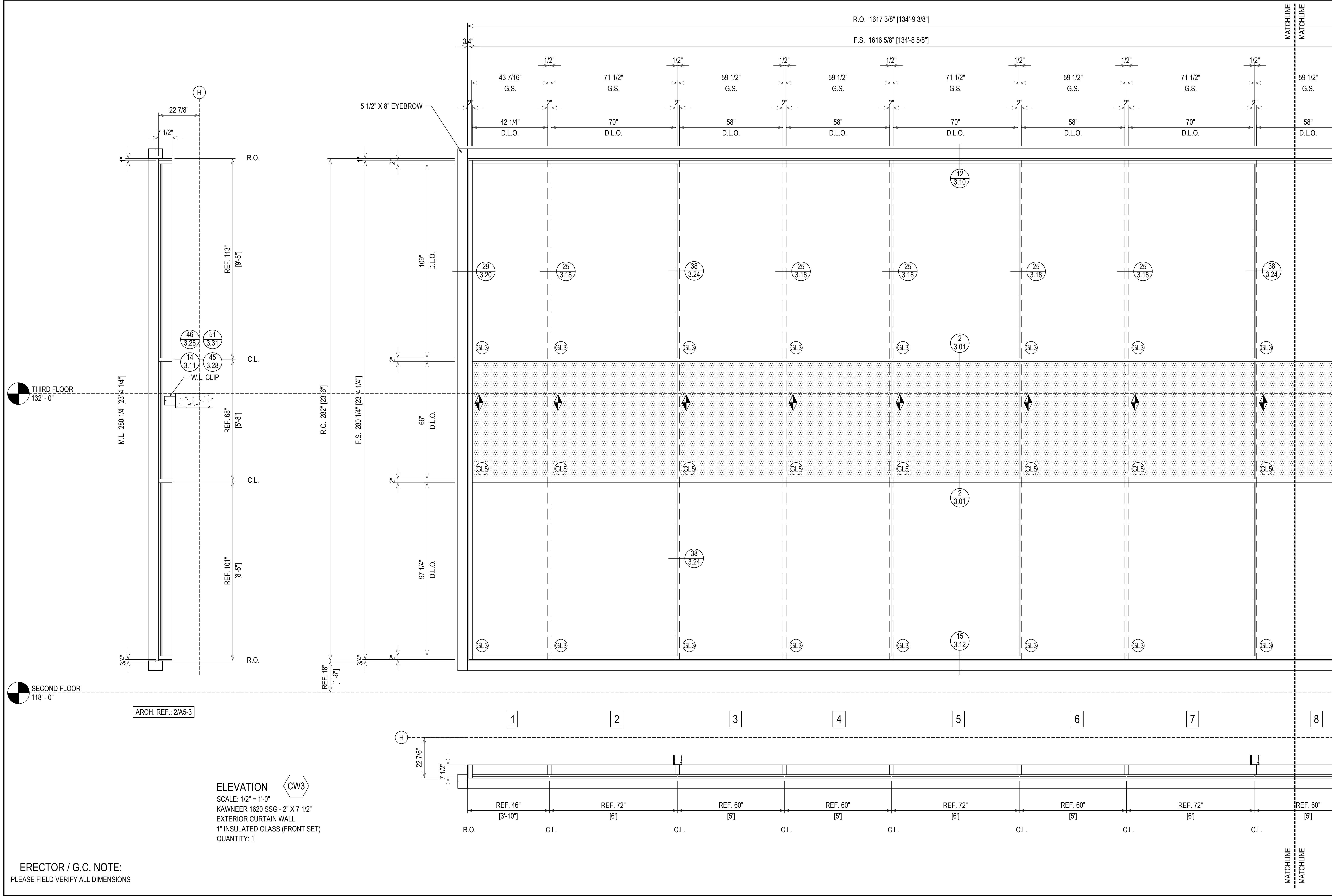
SPRINGFIELD GLASS COMPANY  
 2503 NORTH OAK GROVE AVE.  
 SPRINGFIELD, MO 65803  
 P: 417.883.6555

PROJECT: CONVOY OF HOPE  
 GLOBAL HEADQUARTERS  
 AND TRAINING CENTER

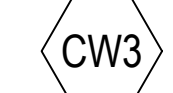
LOCATION: 7200 W. CARNAHAN STREET  
 SPRINGFIELD, MO 65802

DRAWN BY:	DATE:
DJ	7.20.22
CHECKED BY:	DATE:
RD	7.20.22

ERECTOR / G.C. NOTE:  
 PLEASE FIELD VERIFY ALL DIMENSIONS



**ELEVATION**  
 SCALE: 1/2" = 1'-0"  
 KAWNEER 1620 SSG - 2" X 7 1/2"  
 EXTERIOR CURTAIN WALL  
 1" INSULATED GLASS (FRONT SET)  
 QUANTITY: 1



**ERECTOR / G.C. NOTE:**  
 PLEASE FIELD VERIFY ALL DIMENSIONS

1ST SUBMISSION	7.20.22
1ST REVISION	8.3.22
NO	NO
DESCRIPTION	DATE
DRAWING SUBMISSION	

**SPRINGFIELD GLASS COMPANY**  
 2503 NORTH OAK GROVE AVE.  
 SPRINGFIELD, MO 65803  
 P: 417.883.6555

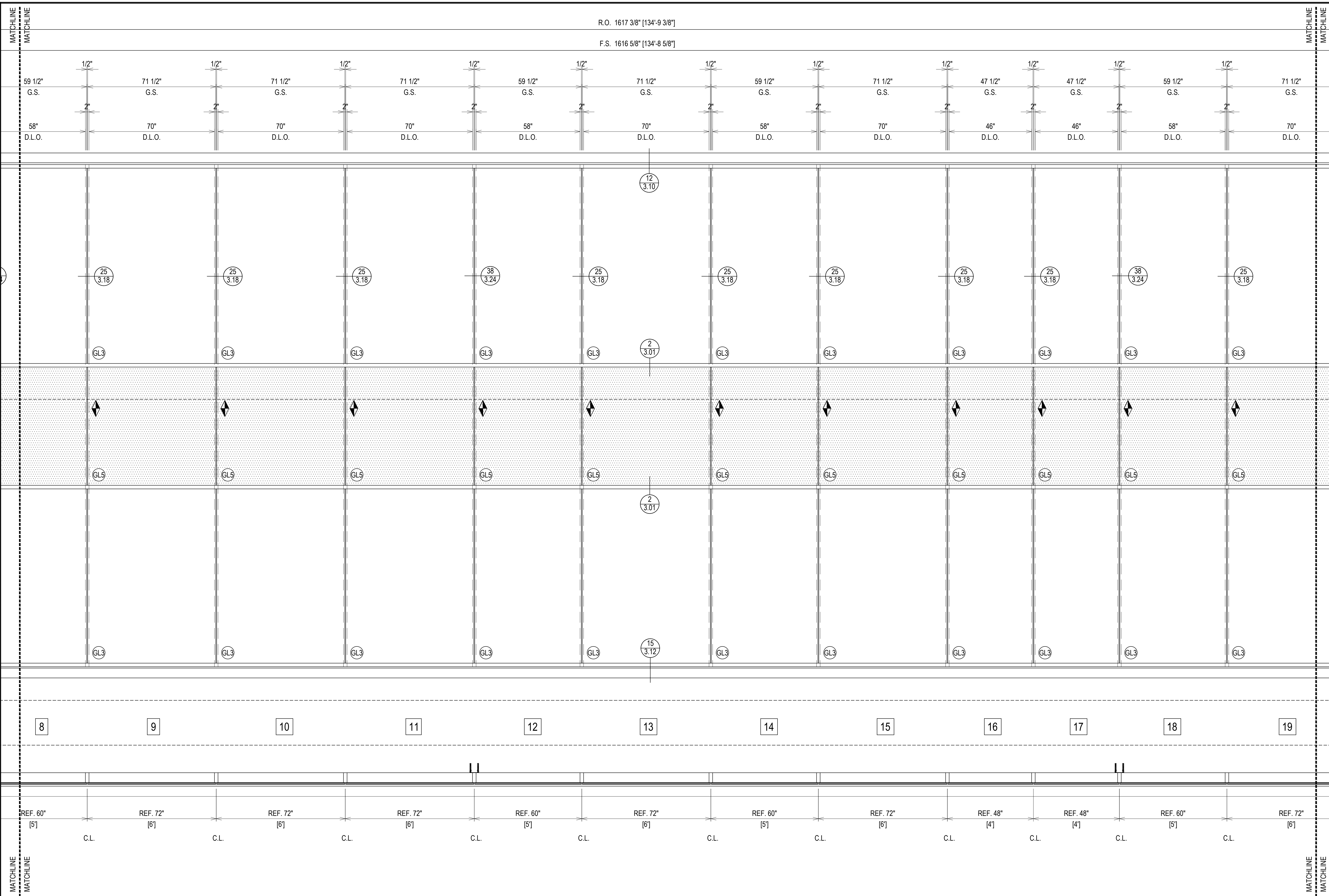
**PROJECT:** CONVOY OF HOPE  
 GLOBAL HEADQUARTERS  
 AND TRAINING CENTER  
**LOCATION:** 7200 W. CARNAHAN STREET  
 SPRINGFIELD, MO 65802

<b>DRAWN BY:</b> DJ	<b>DATE:</b> 7.20.22
<b>CHECKED BY:</b> RD	<b>DATE:</b> 7.20.22

**2.03**

R.O. 1617 3/8" [134'-9 3/8"]

F.S. 1616 5/8" [134'-8 5/8"]



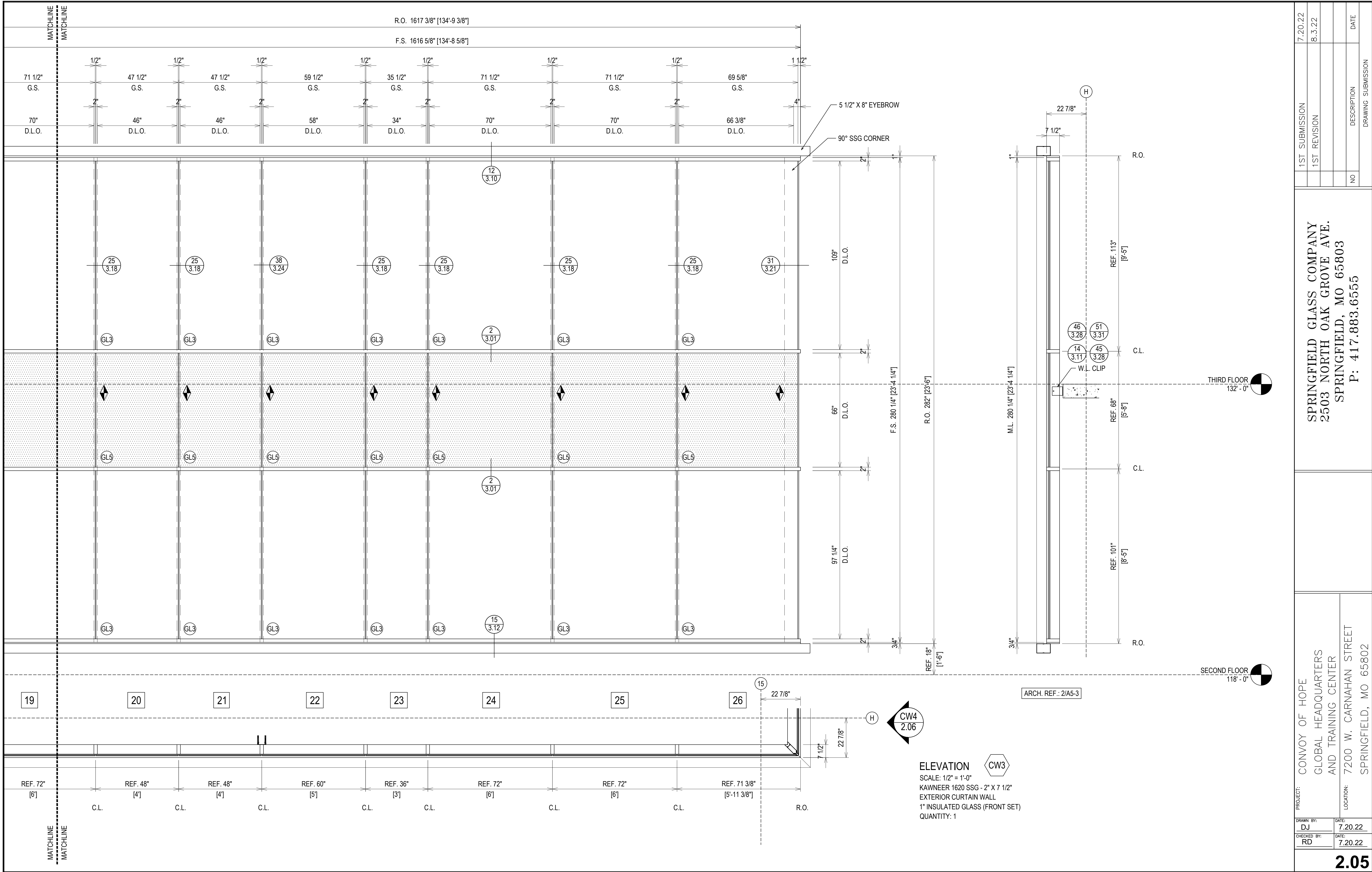
1ST SUBMISSION	7.20.22
1ST REVISION	8.3.22
NO	DATE
NO	DESCRIPTION
NO	DRAWING SUBMISSION

CONVOY OF HOPE  
 GLOBAL HEADQUARTERS  
 AND TRAINING CENTER  
 7200 W. CARNAHAN STREET  
 SPRINGFIELD, MO 65802

PROJECT:  
 CONVOY OF HOPE  
 GLOBAL HEADQUARTERS  
 AND TRAINING CENTER

LOCATION:  
 7200 W. CARNAHAN STREET  
 SPRINGFIELD, MO 65802

DRAWN BY: DJ	DATE: 7.20.22
CHECKED BY: RD	DATE: 7.20.22



7.20.22	1ST SUBMISSION			
8.3.22	1ST REVISION			

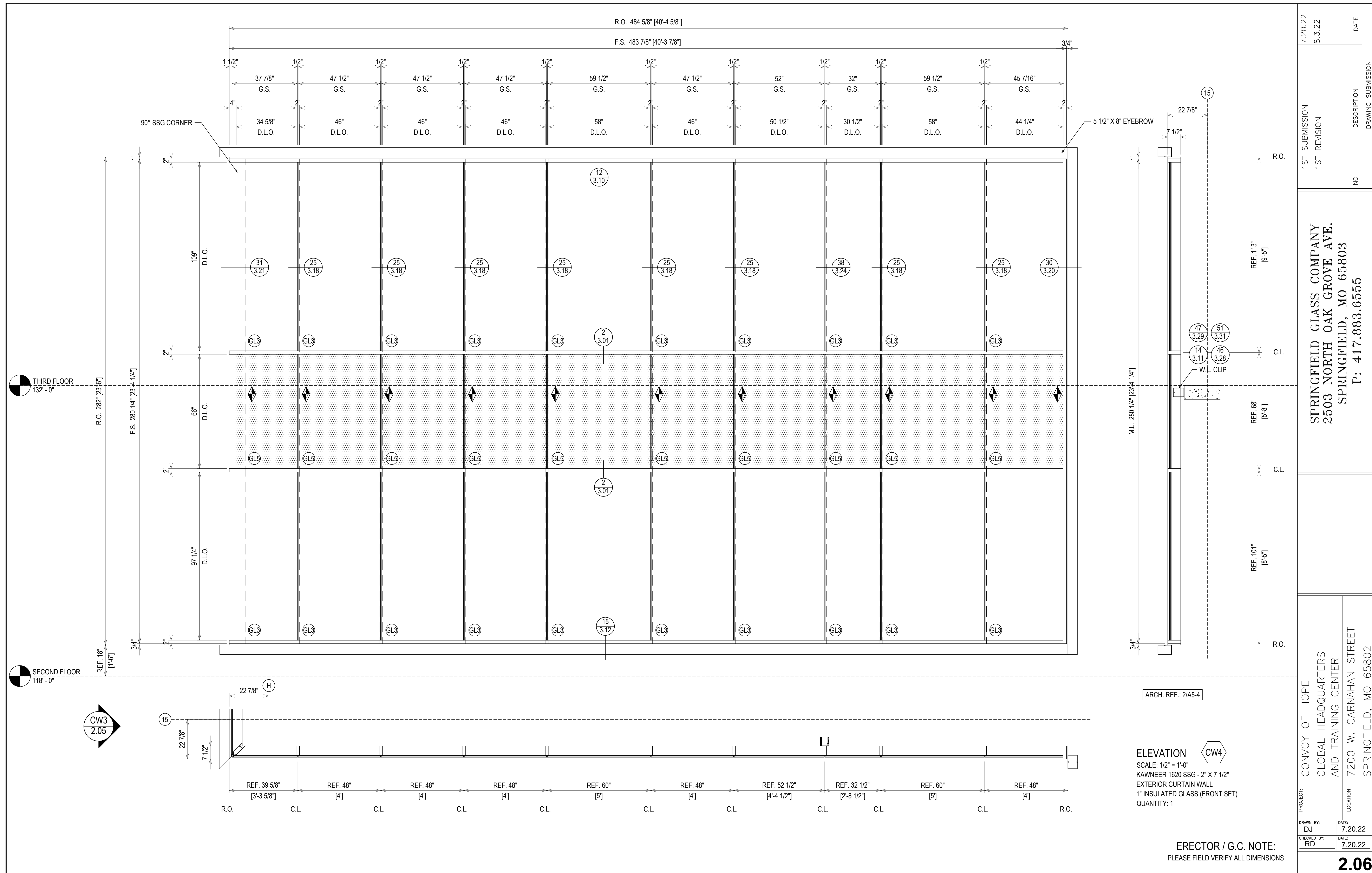
PROJECT: CONVOY OF HOPE  
 GLOBAL HEADQUARTERS  
 AND TRAINING CENTER  
 LOCATION: 7200 W. CARNAHAN STREET  
 SPRINGFIELD, MO 65802

SPRINGFIELD GLASS COMPANY  
 2503 NORTH OAK GROVE AVE.  
 SPRINGFIELD, MO 65803  
 P: 417.883.6555

NO	DESCRIPTION	DATE
	DRAWING SUBMISSION	

DRAWN BY:	DATE:
DJ	7.20.22
CHECKED BY:	DATE:
RD	7.20.22

**2.05**



NO	DESCRIPTION	DATE
1	1ST SUBMISSION	7.20.22
2	1ST REVISION	8.3.22

**SPRINGFIELD GLASS COMPANY**  
 2503 NORTH OAK GROVE AVE.  
 SPRINGFIELD, MO 65803  
 P: 417.883.6555

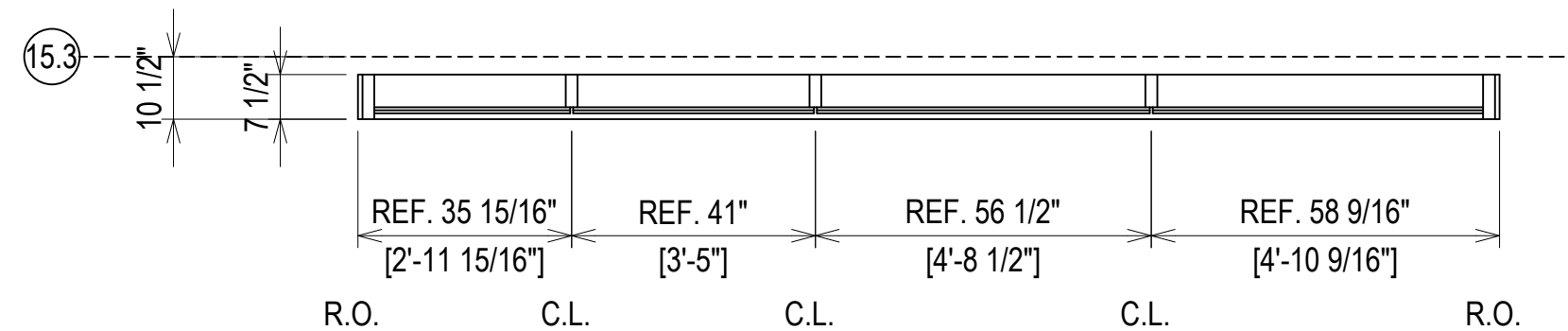
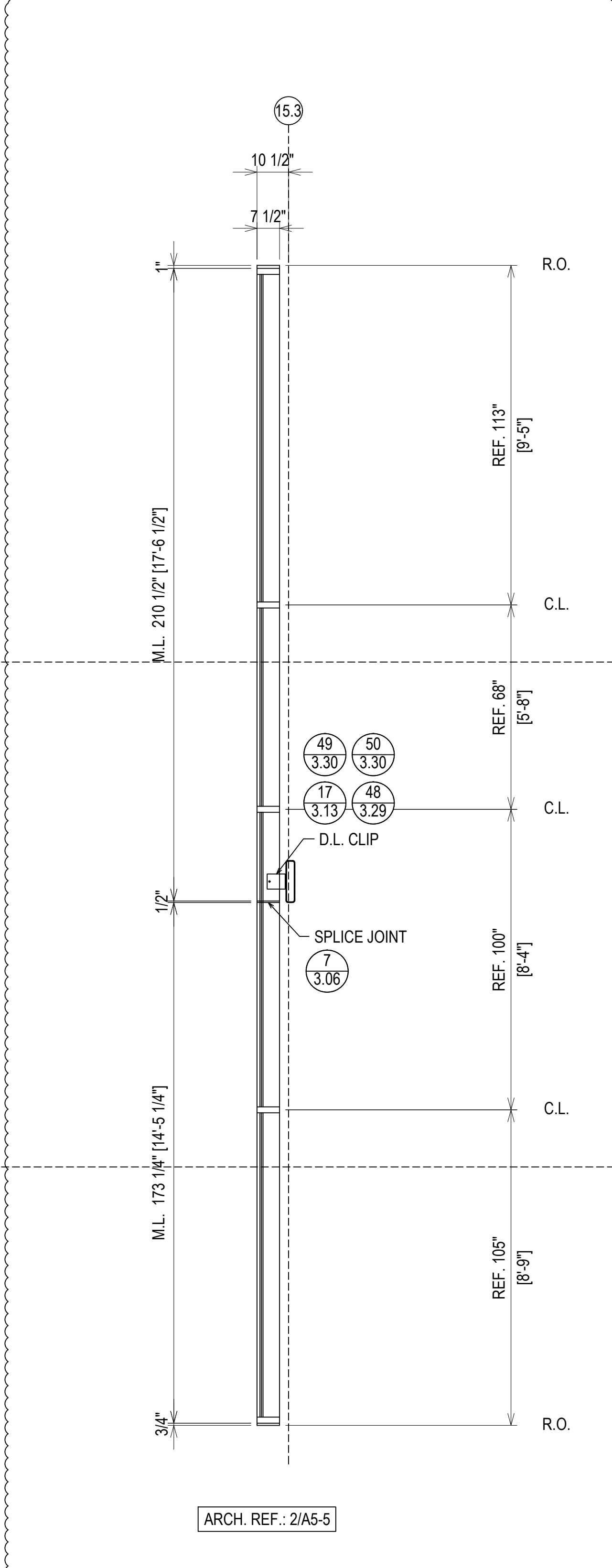
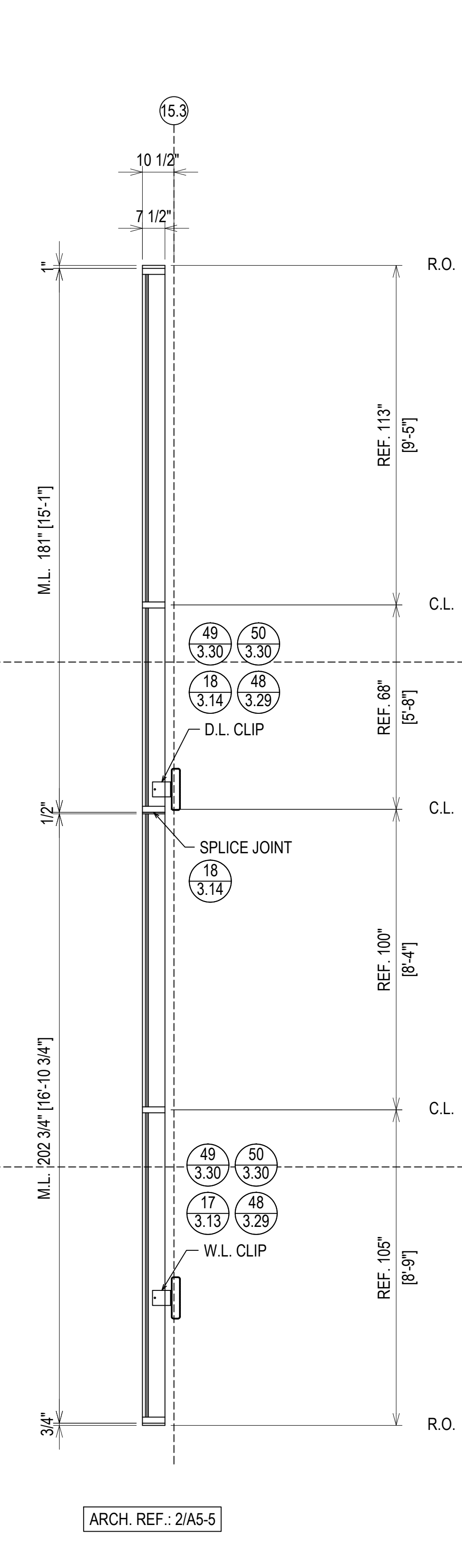
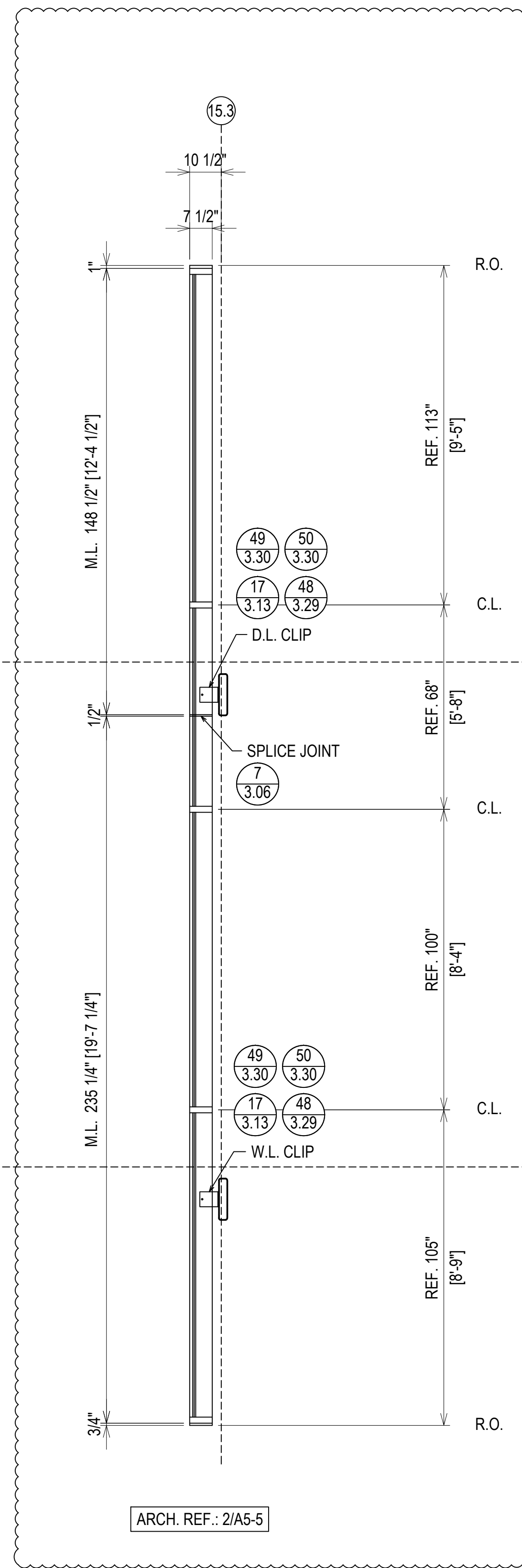
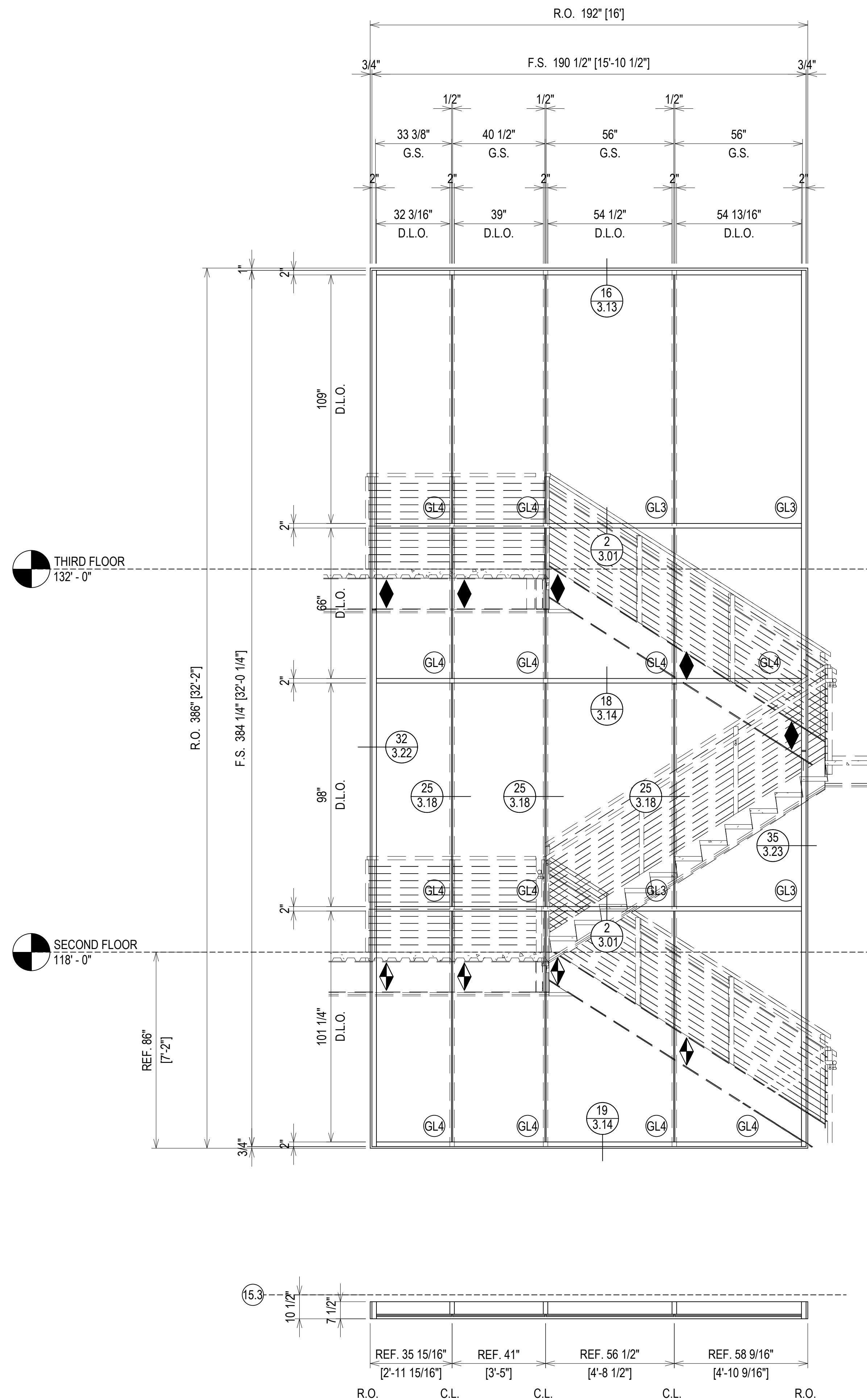
PROJECT: CONVOY OF HOPE  
 GLOBAL HEADQUARTERS  
 AND TRAINING CENTER

LOCATION: 7200 W. CARNAHAN STREET  
 SPRINGFIELD, MO 65802

DRAWN BY: DJ	DATE: 7.20.22
CHECKED BY: RD	DATE: 7.20.22

ERECTOR / G.C. NOTE:  
 PLEASE FIELD VERIFY ALL DIMENSIONS

**2.06**



**ELEVATION**  
 SCALE: 3/8" = 1'-0"  
 KAWNEER 1620 SSG - 2" X 7 1/2"  
 EXTERIOR CURTAIN WALL  
 1" INSULATED GLASS (FRONT SET)  
 QUANTITY: 1



PROJECT:	CONVOY OF HOPE GLOBAL HEADQUARTERS AND TRAINING CENTER	LOCATION:	7200 W. CARNAHAN STREET SPRINGFIELD, MO 65802
1ST SUBMISSION	7.20.22	1ST REVISION	8.3.22
NO	DESCRIPTION	NO	DATE
DRAWING SUBMISSION		DRAWING SUBMISSION	

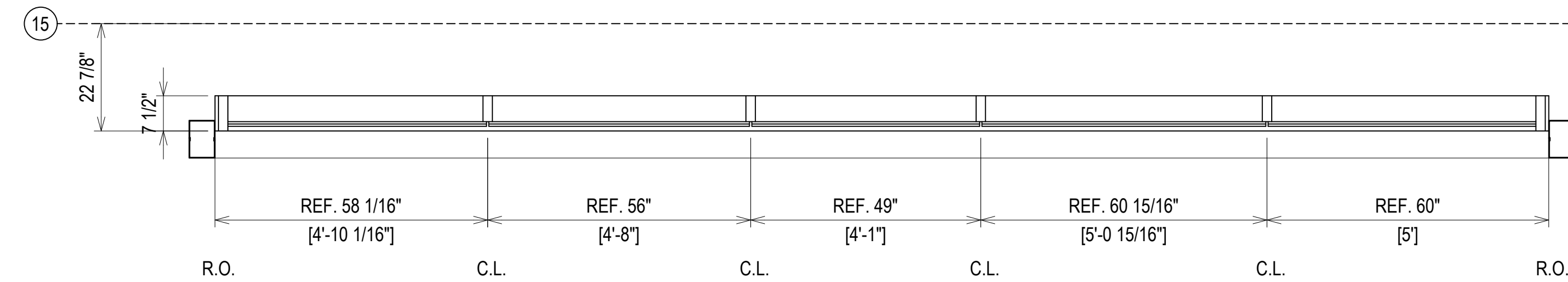
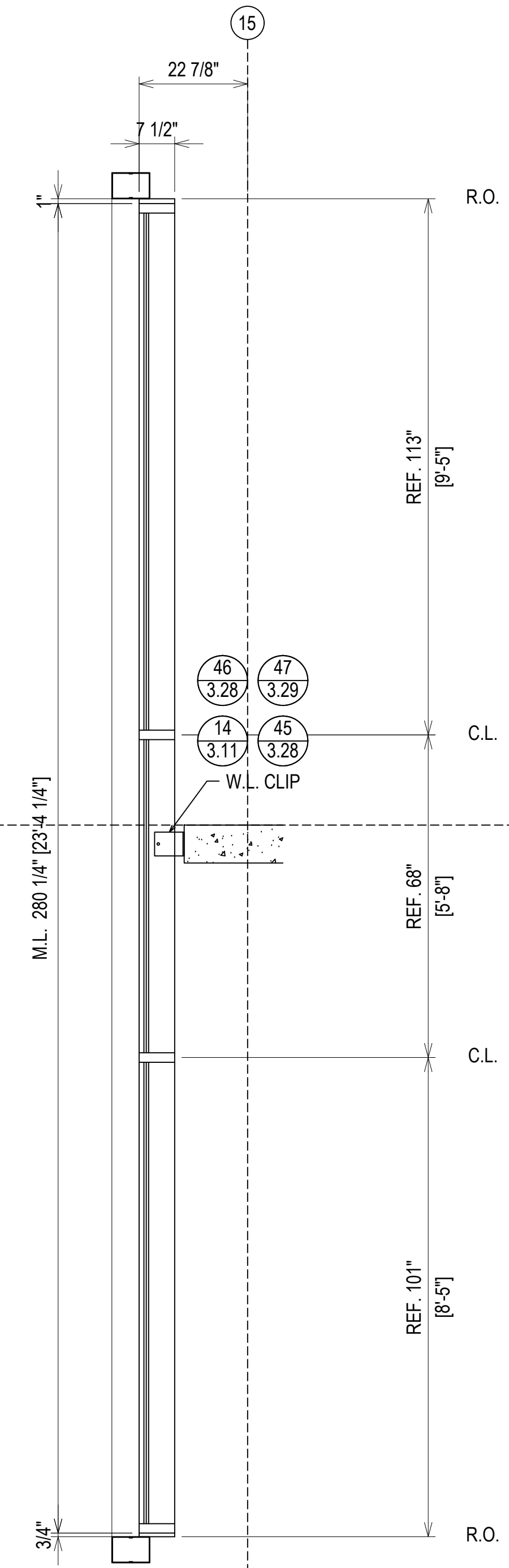
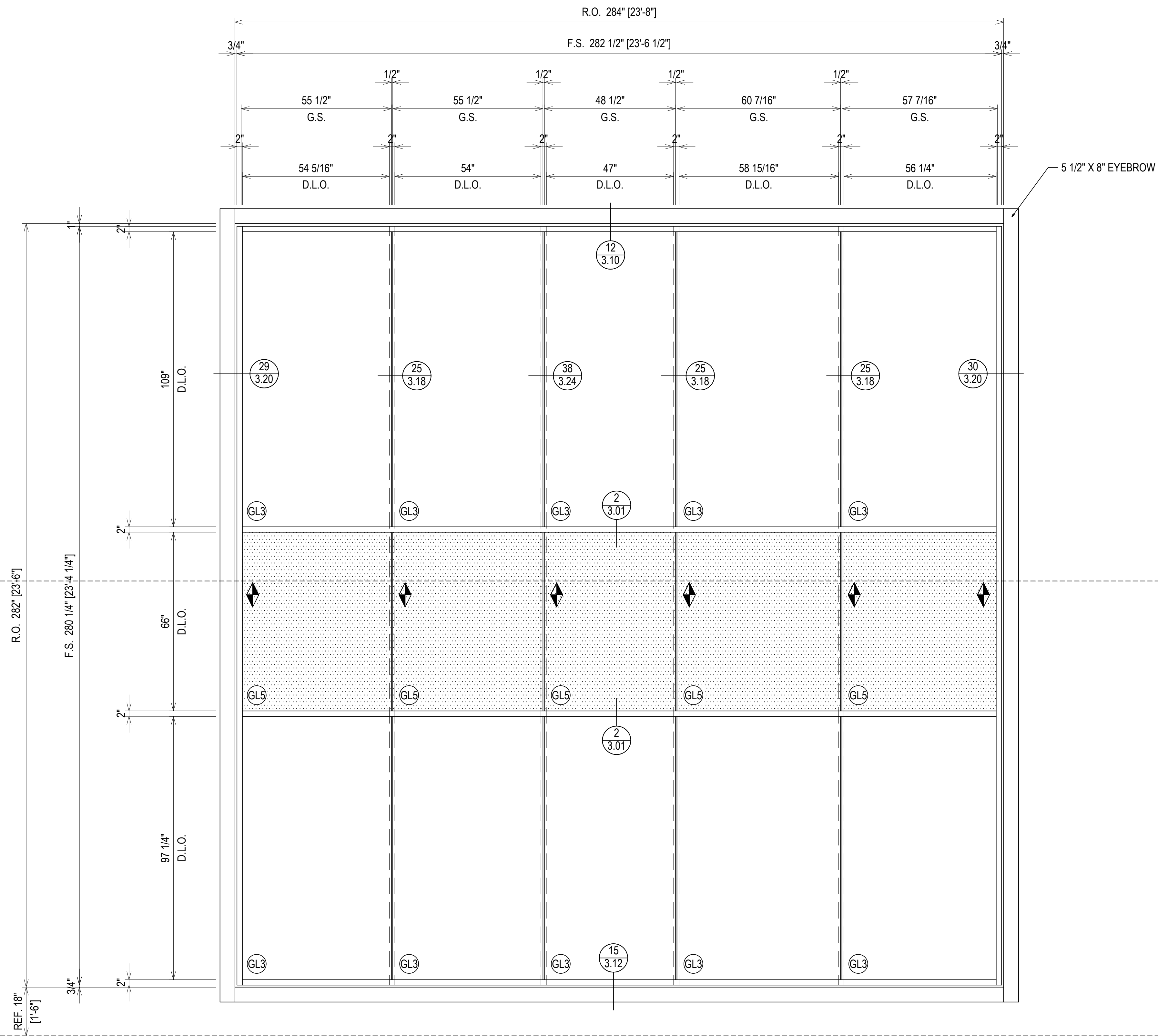
SPRINGFIELD GLASS COMPANY  
 2503 NORTH OAK GROVE AVE.  
 SPRINGFIELD, MO 65803  
 P: 417.883.6555

ERECTOR / G.C. NOTE:  
 PLEASE FIELD VERIFY ALL DIMENSIONS

2.07

THIRD FLOOR  
132'-0"

SECOND FLOOR  
118'-0"



ARCH. REF.: 3/A5-3

**ELEVATION**  
SCALE: 1/2" = 1'-0"  
KAWNEER 1620 SSG - 2" X 7 1/2"  
EXTERIOR CURTAIN WALL  
1" INSULATED GLASS (FRONT SET)  
QUANTITY: 1



**ERECTOR / G.C. NOTE:**  
PLEASE FIELD VERIFY ALL DIMENSIONS

7.20.22	1ST SUBMISSION				DATE
8.3.22	1ST REVISION				DESCRIPTION
					NO
					DRAWING SUBMISSION

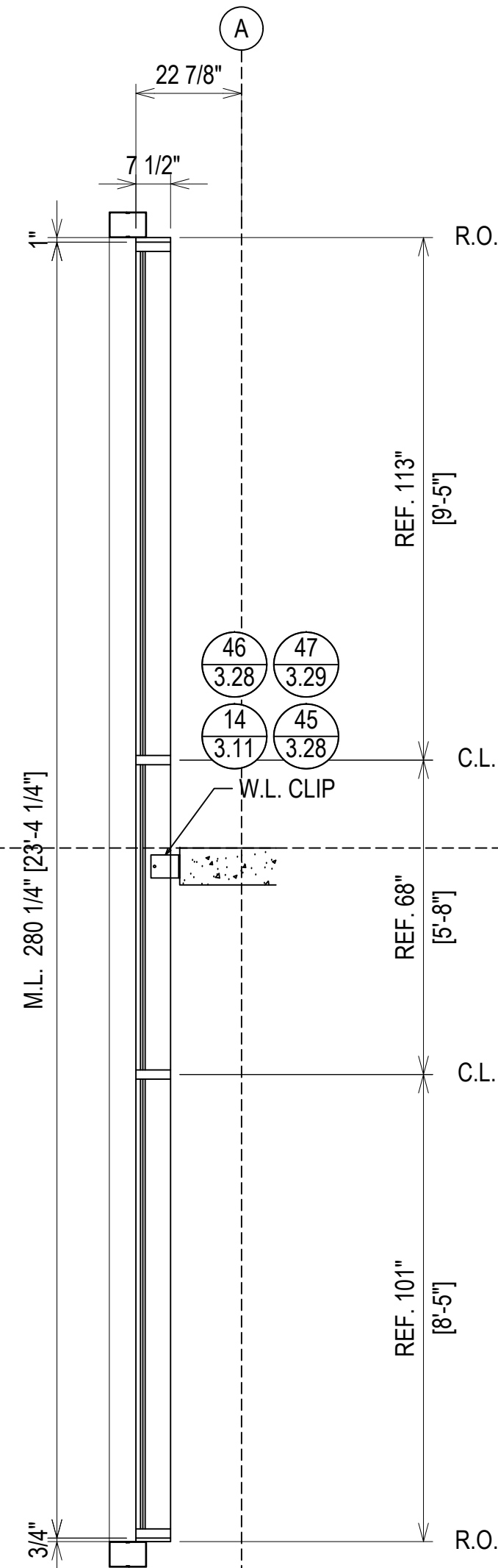
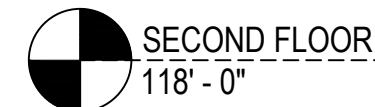
**SPRINGFIELD GLASS COMPANY**  
2503 NORTH OAK GROVE AVE.  
SPRINGFIELD, MO 65803  
P: 417.883.6555

PROJECT: CONVOY OF HOPE  
GLOBAL HEADQUARTERS  
AND TRAINING CENTER  
LOCATION: 7200 W. CARNAHAN STREET  
SPRINGFIELD, MO 65802

DRAWN BY: DJ	DATE: 7.20.22
CHECKED BY: RD	DATE: 7.20.22

**2.08**



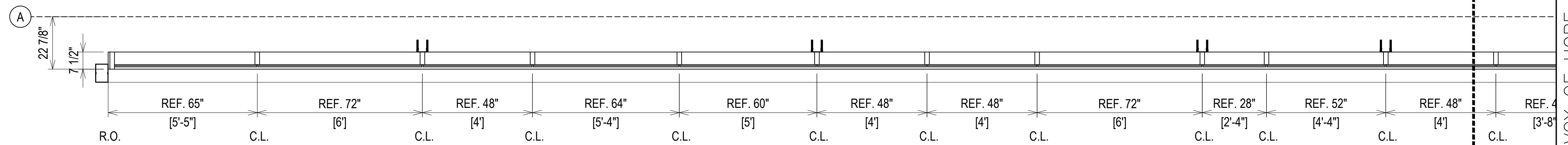
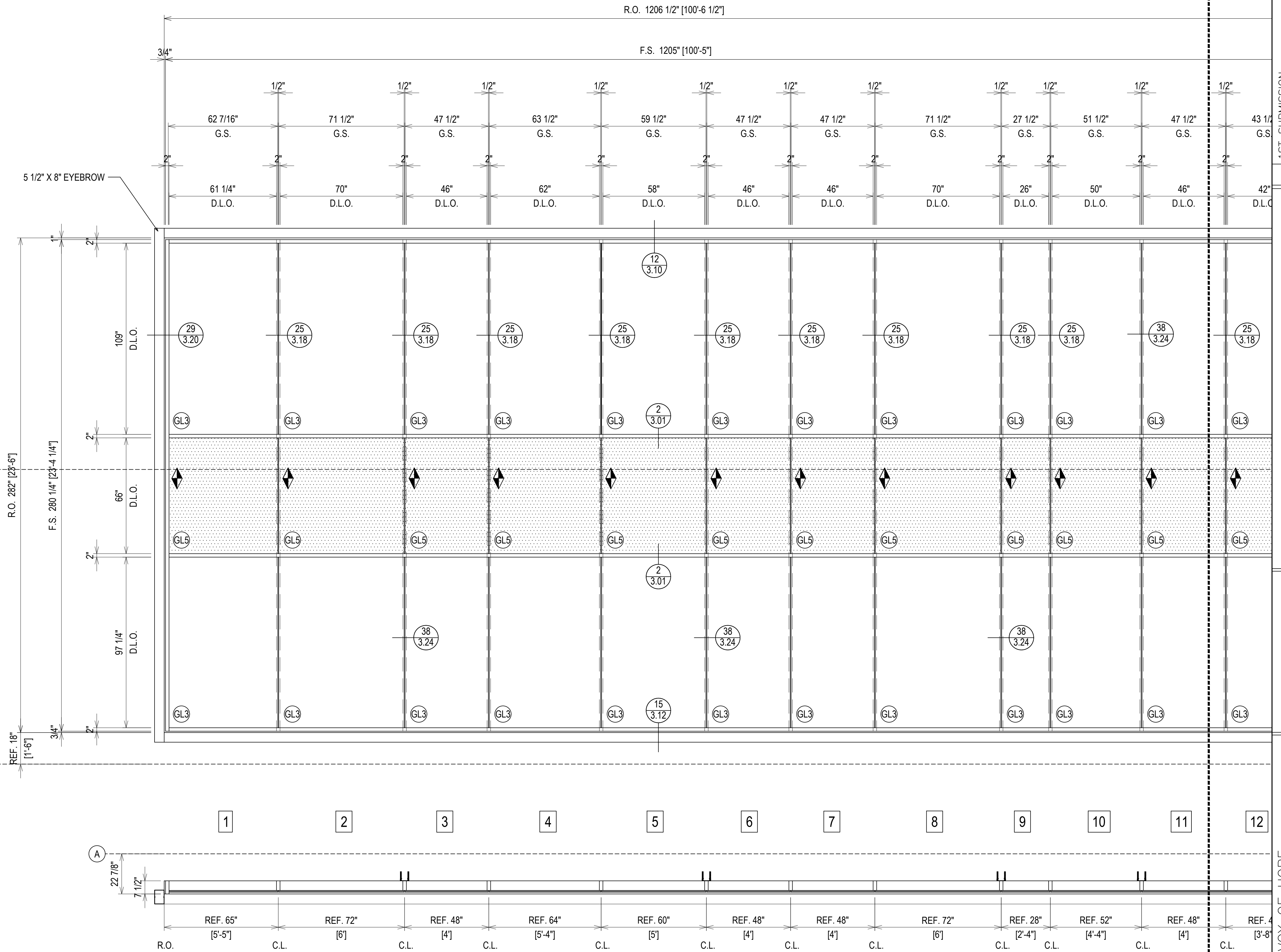


ARCH. REF.: 2/A5-3

**ELEVATION**  
 SCALE: 3/8" = 1'-0"  
 KAWNEER 1620 SSG - 2" X 7 1/2"  
 EXTERIOR CURTAIN WALL  
 1" INSULATED GLASS (FRONT SET)  
 QUANTITY: 1



ERECTOR / G.C. NOTE:  
 PLEASE FIELD VERIFY ALL DIMENSIONS

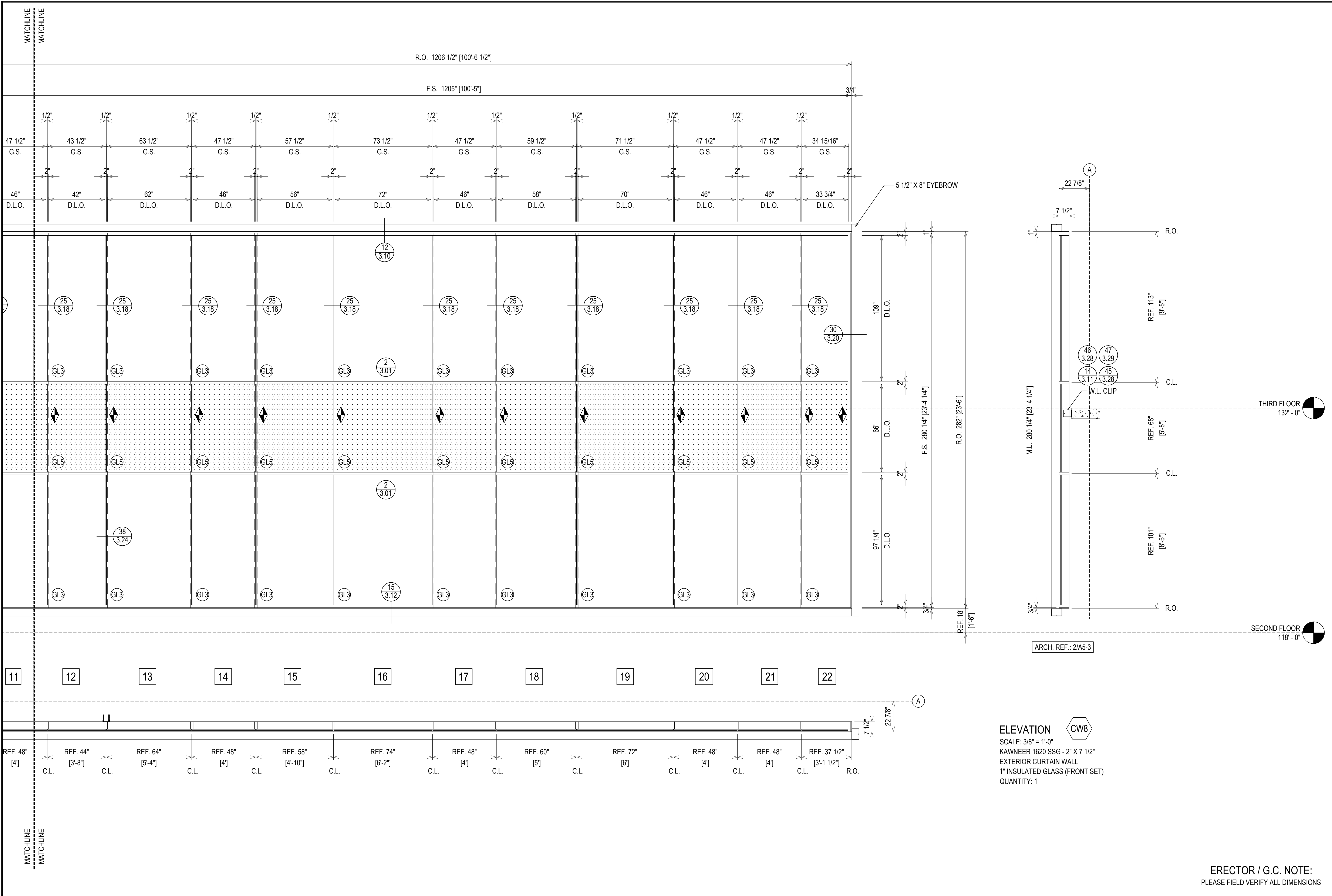


MATCHLINE MATCHLINE

7.20.22	DATE
8.3.22	DATE
1ST SUBMISSION	DESCRIPTION
1ST REVISION	DESCRIPTION
NO	NO
DRAWING SUBMISSION	

PROJECT: CONVOY OF HOPE  
 GLOBAL HEADQUARTERS  
 AND TRAINING CENTER  
 LOCATION: 7200 W. CARNAHAN STREET  
 SPRINGFIELD, MO 65802

SPRINGFIELD GLASS COMPANY  
 2503 NORTH OAK GROVE AVE.  
 SPRINGFIELD, MO 65803  
 P: 417.883.6555



**ELEVATION** CW8  
 SCALE: 3/8" = 1'-0"  
 KAWNEER 1620 SSG - 2" X 7 1/2"  
 EXTERIOR CURTAIN WALL  
 1" INSULATED GLASS (FRONT SET)  
 QUANTITY: 1

NO.	DESCRIPTION	DATE
1	1ST SUBMISSION	7.20.22
2	1ST REVISION	8.3.22

**SPRINGFIELD GLASS COMPANY**  
 2503 NORTH OAK GROVE AVE.  
 SPRINGFIELD, MO 65803  
 P: 417.883.6555

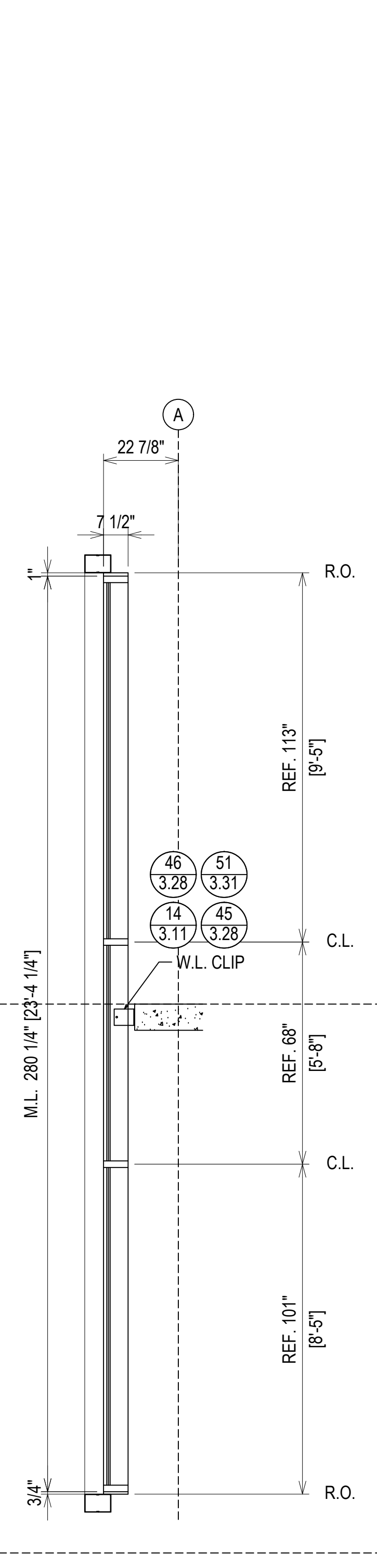
PROJECT: CONVOY OF HOPE  
 GLOBAL HEADQUARTERS  
 AND TRAINING CENTER  
 LOCATION: 7200 W. CARNAHAN STREET  
 SPRINGFIELD, MO 65802

DRAWN BY: DJ	DATE: 7.20.22
CHECKED BY: RD	DATE: 7.20.22


**ERECTOR / G.C. NOTE:**  
 PLEASE FIELD VERIFY ALL DIMENSIONS

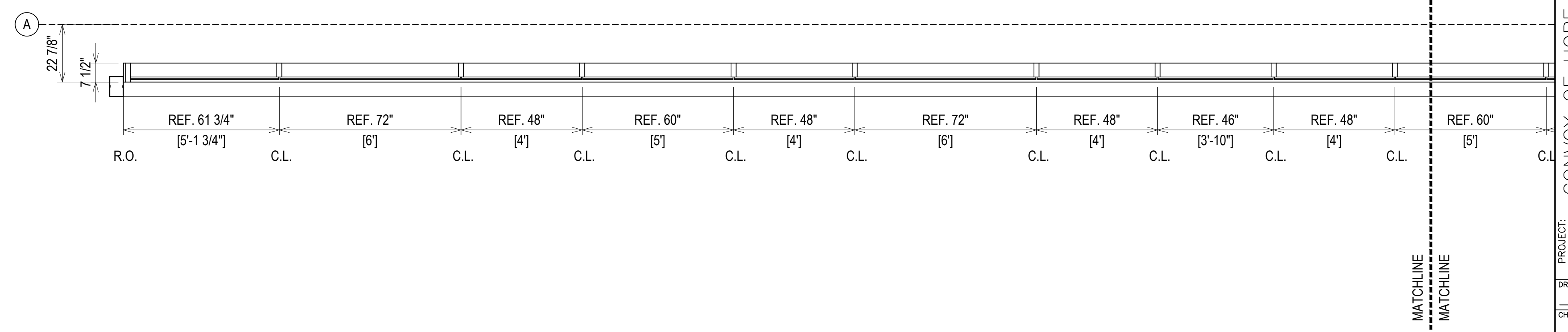
THIRD FLOOR  
132'-0"

SECOND FLOOR  
118'-0"

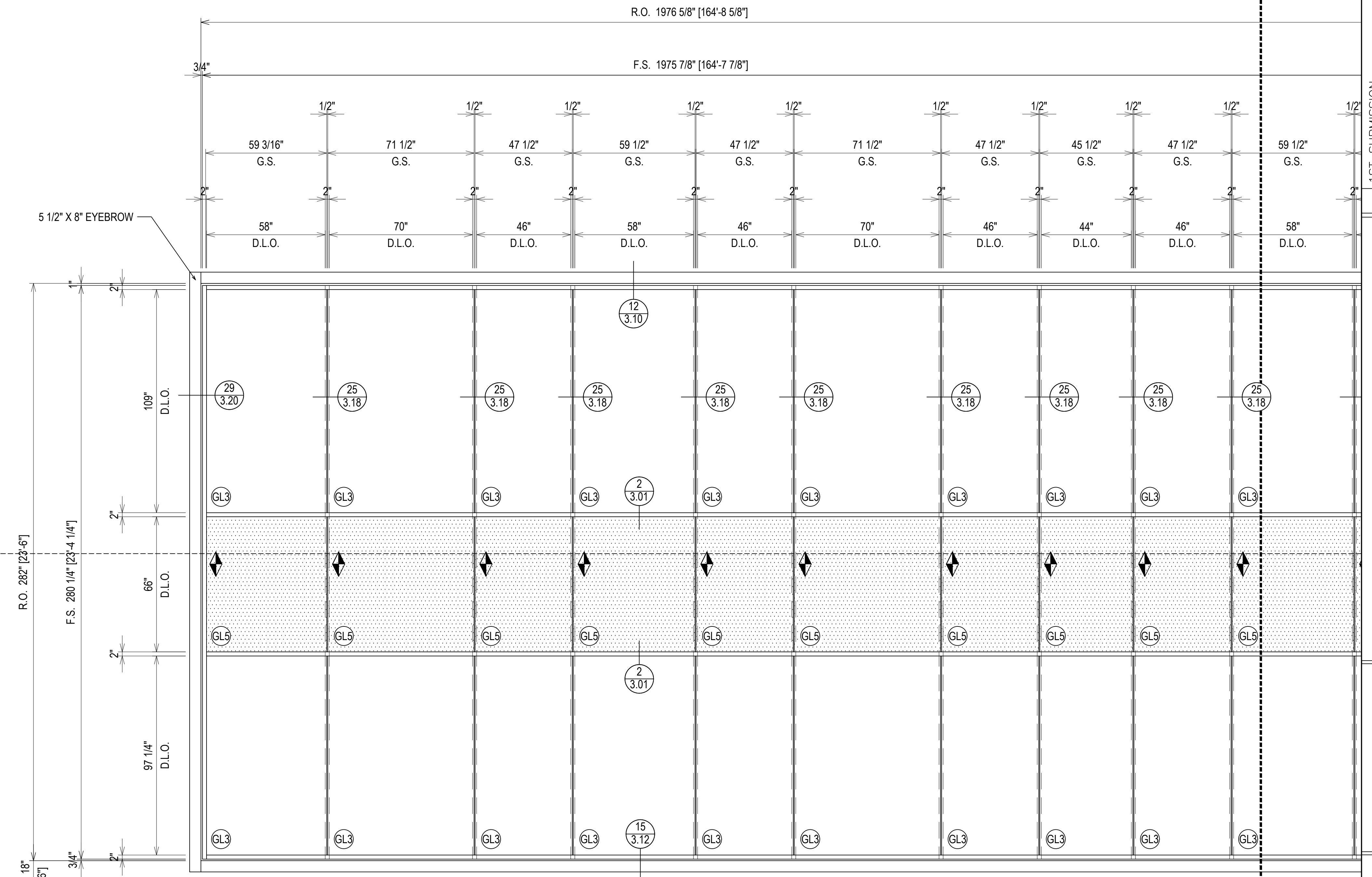


ARCH. REF.: 2/A5-3

**ELEVATION**   
 SCALE: 3/8" = 1'-0"  
 KAWNEER 1620 SSG - 2" X 7 1/2"  
 EXTERIOR CURTAIN WALL  
 1" INSULATED GLASS (FRONT SET)  
 QUANTITY: 1



ERECTOR / G.C. NOTE:  
 PLEASE FIELD VERIFY ALL DIMENSIONS



7.20.22	DATE
8.3.22	DATE
1ST SUBMISSION	DESCRIPTION
1ST REVISION	DESCRIPTION
NO	NO
	DRAWING SUBMISSION

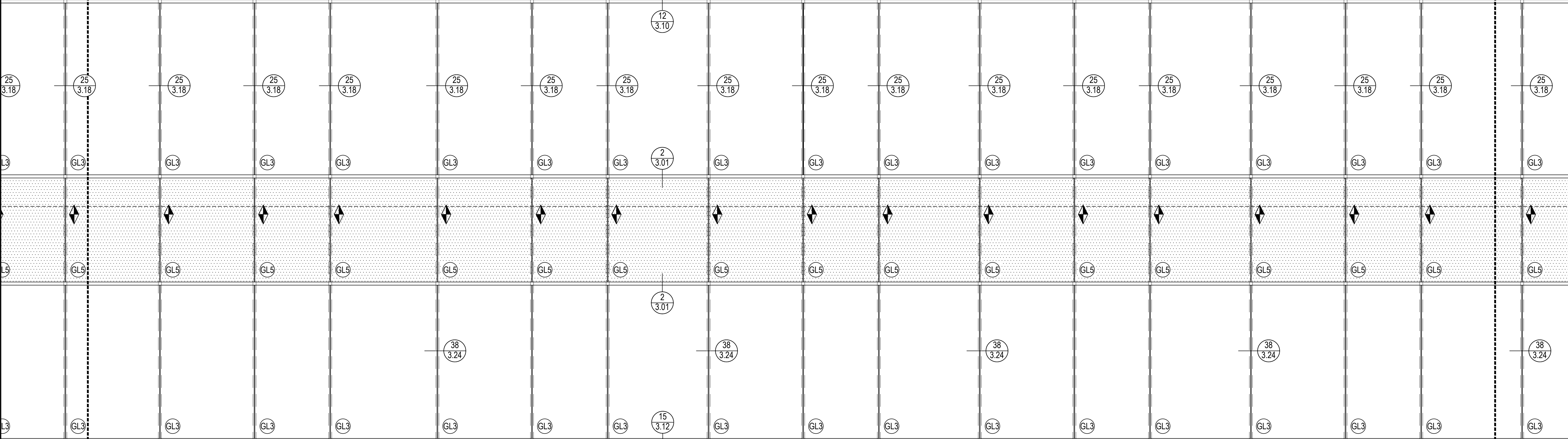
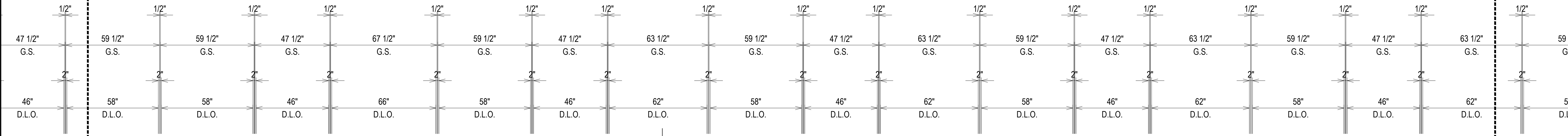
SPRINGFIELD GLASS COMPANY  
 2503 NORTH OAK GROVE AVE.  
 SPRINGFIELD, MO 65803  
 P: 417.883.6555

PROJECT: CONVOY OF HOPE  
 GLOBAL HEADQUARTERS  
 AND TRAINING CENTER  
 LOCATION: 7200 W. CARNAHAN STREET  
 SPRINGFIELD, MO 65802

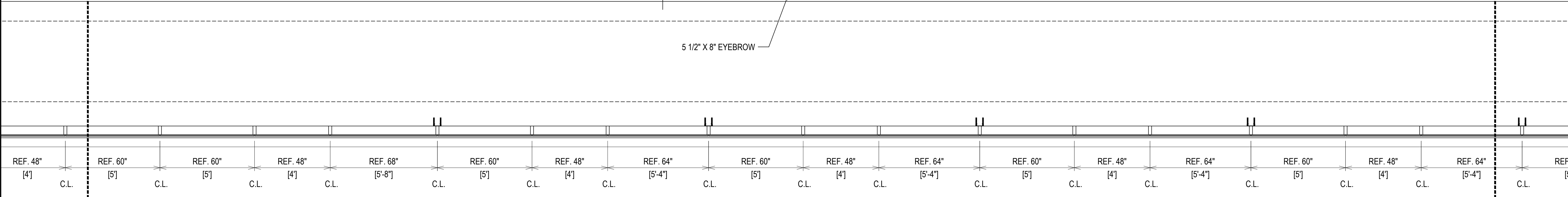
DRAWN BY:	DATE:
DJ	7.20.22
CHECKED BY:	DATE:
RD	7.20.22

R.O. 1976 5/8" [164'-8 5/8"]

F.S. 1975 7/8" [164'-7 7/8"]



5 1/2" X 8" EYEBROW



ELEVATION CW9  
 SCALE: 3/8" = 1'-0"  
 KAWNEER 1620 SSG - 2" X 7 1/2"  
 EXTERIOR CURTAIN WALL  
 1" INSULATED GLASS (FRONT SET)  
 QUANTITY: 1

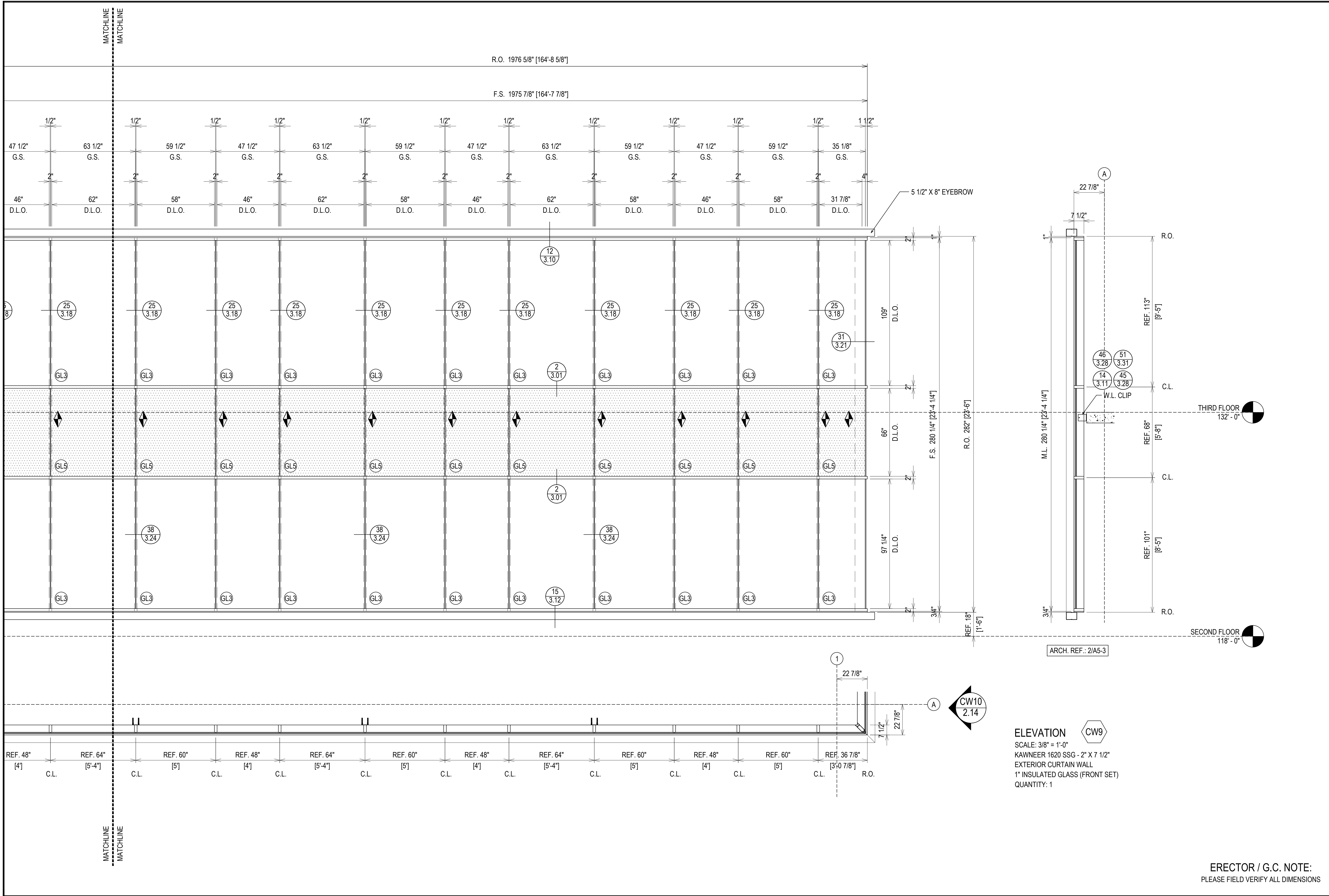
ERECTOR / G.C. NOTE:  
 PLEASE FIELD VERIFY ALL DIMENSIONS

7.20.22	DATE
8.3.22	1ST REVISION
	1ST SUBMISSION
	NO
	DESCRIPTION
	DRAWING SUBMISSION

PROJECT: CONVOY OF HOPE  
 GLOBAL HEADQUARTERS  
 AND TRAINING CENTER  
 LOCATION: 7200 W. CARNAHAN STREET  
 SPRINGFIELD, MO 65802

SPRINGFIELD GLASS COMPANY  
 2503 NORTH OAK GROVE AVE.  
 SPRINGFIELD, MO 65803  
 P: 417.883.6555

DRAWN BY:	DATE:
DJ	7.20.22
CHECKED BY:	DATE:
RD	7.20.22



7.20.22	1ST SUBMISSION	NO	DESCRIPTION	DATE
8.3.22	1ST REVISION			


**SPRINGFIELD GLASS COMPANY**  
**2503 NORTH OAK GROVE AVE.**  
**SPRINGFIELD, MO 65803**  
**P: 417.883.6555**

PROJECT:	CONVOY OF HOPE GLOBAL HEADQUARTERS AND TRAINING CENTER
LOCATION:	7200 W. CARNAHAN STREET SPRINGFIELD, MO 65802
DRAWN BY:	DJ
DATE:	7.20.22
CHECKED BY:	RD
DATE:	7.20.22

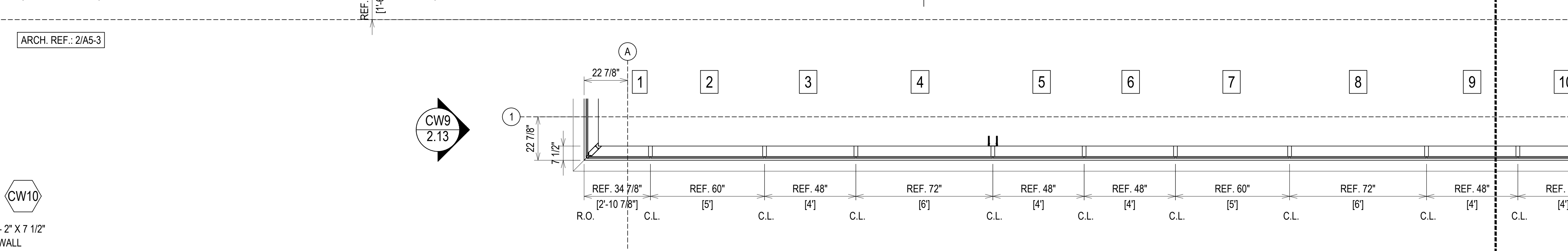
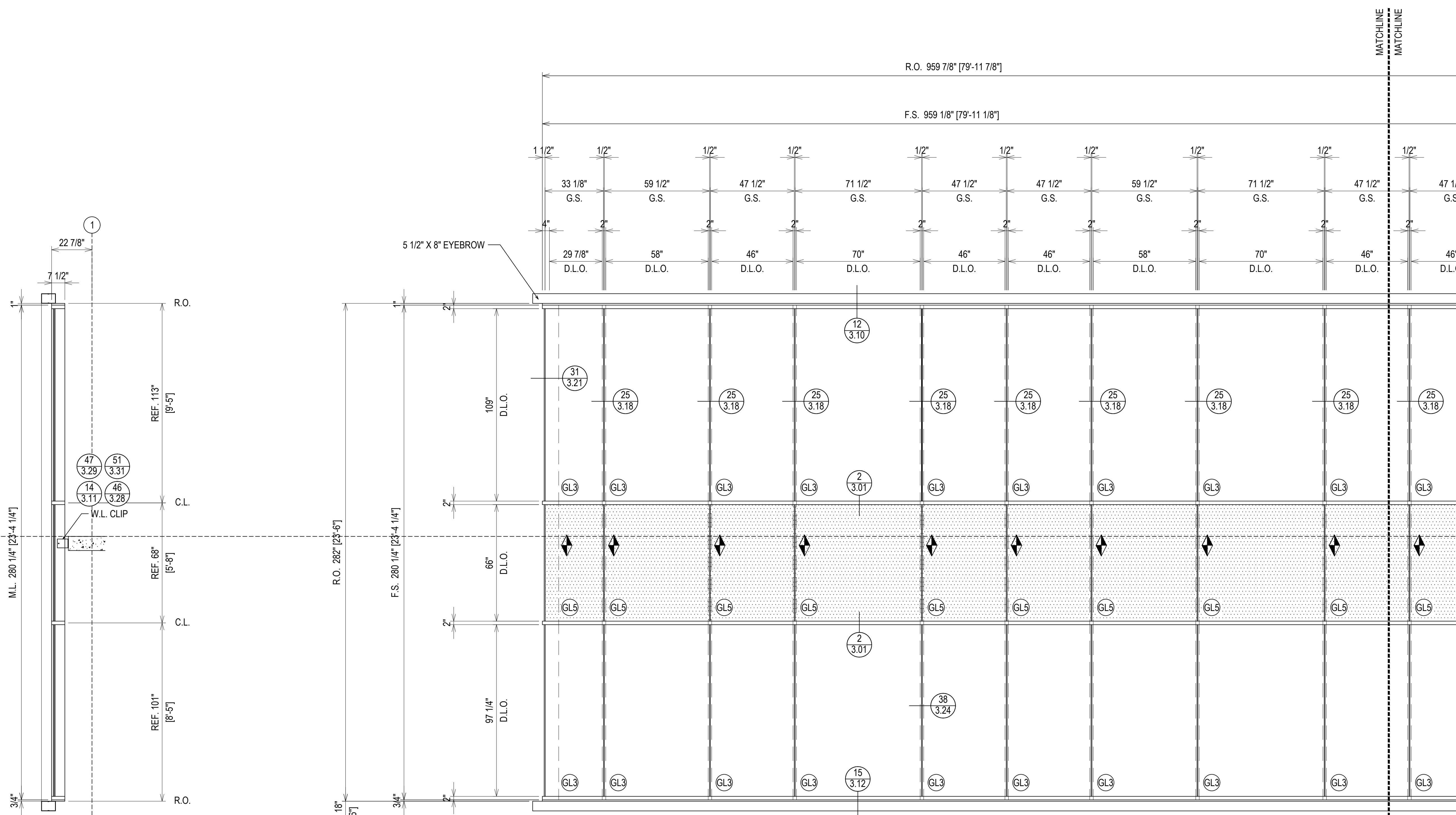
**ERECTOR / G.C. NOTE:**  
PLEASE FIELD VERIFY ALL DIMENSIONS

**2.13**



**ELEVATION**   
 SCALE: 3/8" = 1'-0"  
 KAWNEER 1620 SSG - 2" X 7 1/2"  
 EXTERIOR CURTAIN WALL  
 1" INSULATED GLASS (FRONT SET)  
 QUANTITY: 1

**ERECTOR / G.C. NOTE:**  
 PLEASE FIELD VERIFY ALL DIMENSIONS

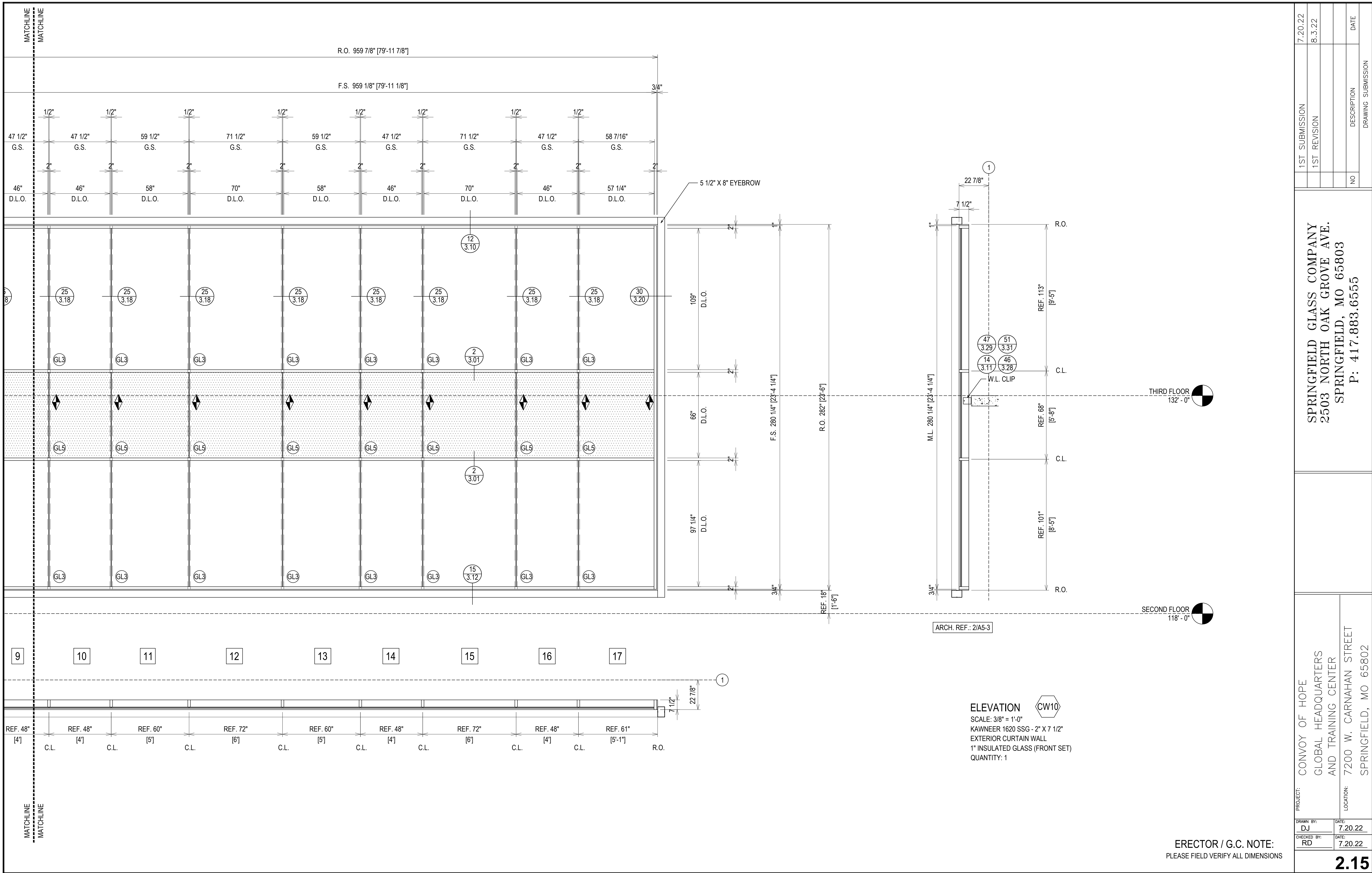


7.20.22	DATE
8.3.22	DATE
1ST SUBMISSION	DESCRIPTION
1ST REVISION	NO
	DRAWING SUBMISSION

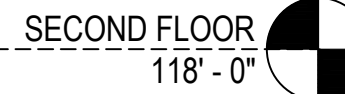
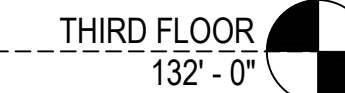
PROJECT: CONVOY OF HOPE  
 GLOBAL HEADQUARTERS  
 AND TRAINING CENTER  
 LOCATION: 7200 W. CARNAHAN STREET  
 SPRINGFIELD, MO 65802

SPRINGFIELD GLASS COMPANY  
 2503 NORTH OAK GROVE AVE.  
 SPRINGFIELD, MO 65803  
 P: 417.883.6555

DRAWN BY: DJ	DATE: 7.20.22
CHECKED BY: RD	DATE: 7.20.22

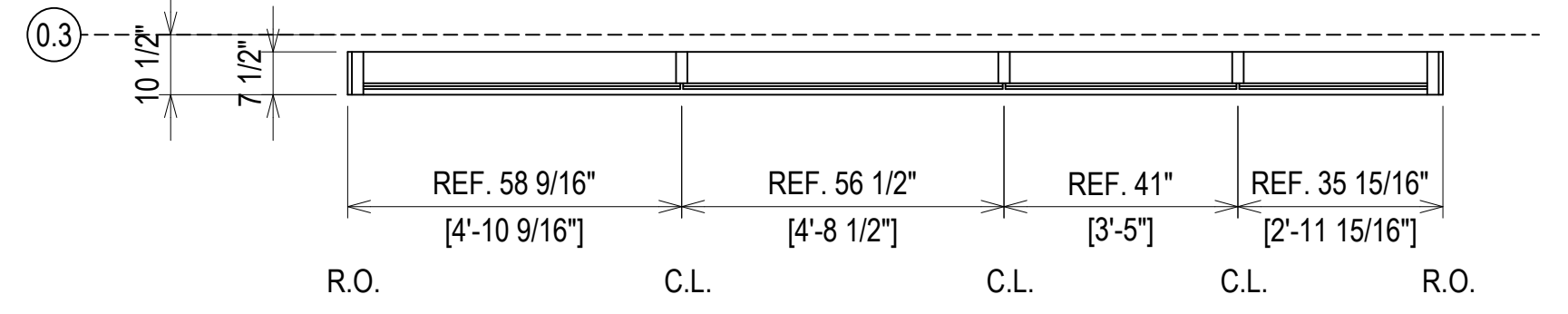
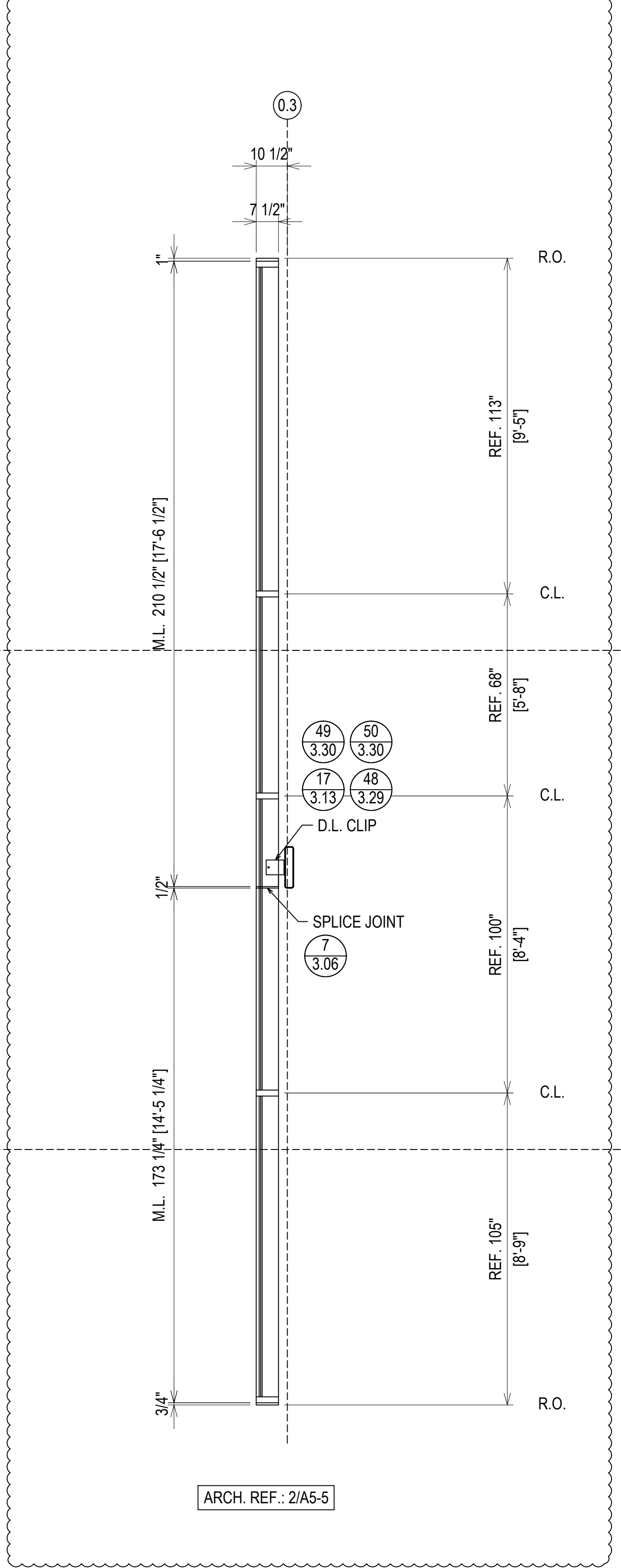
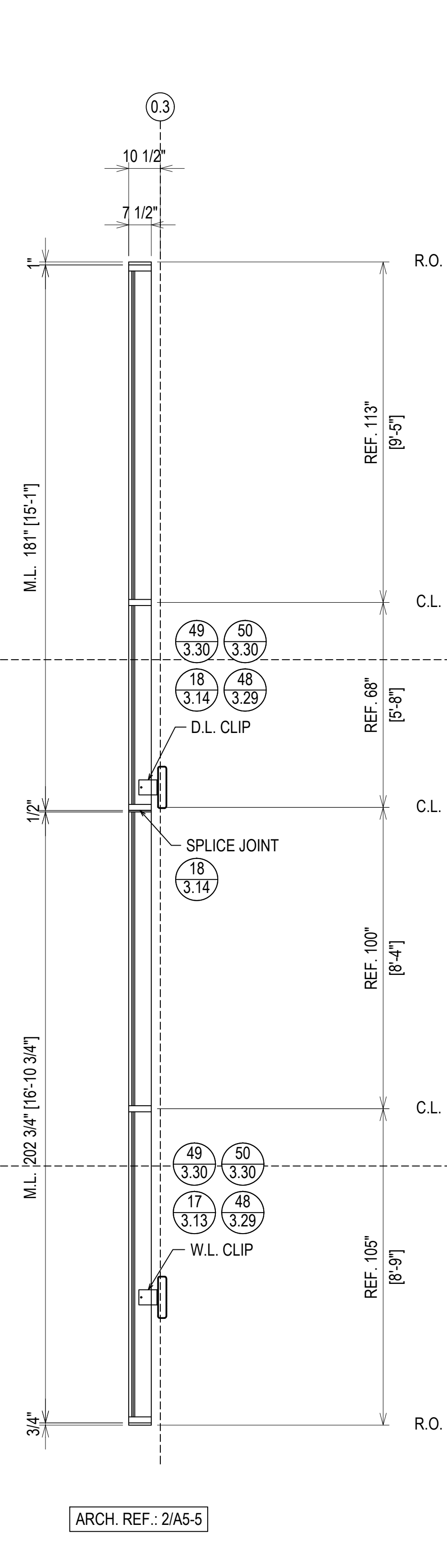
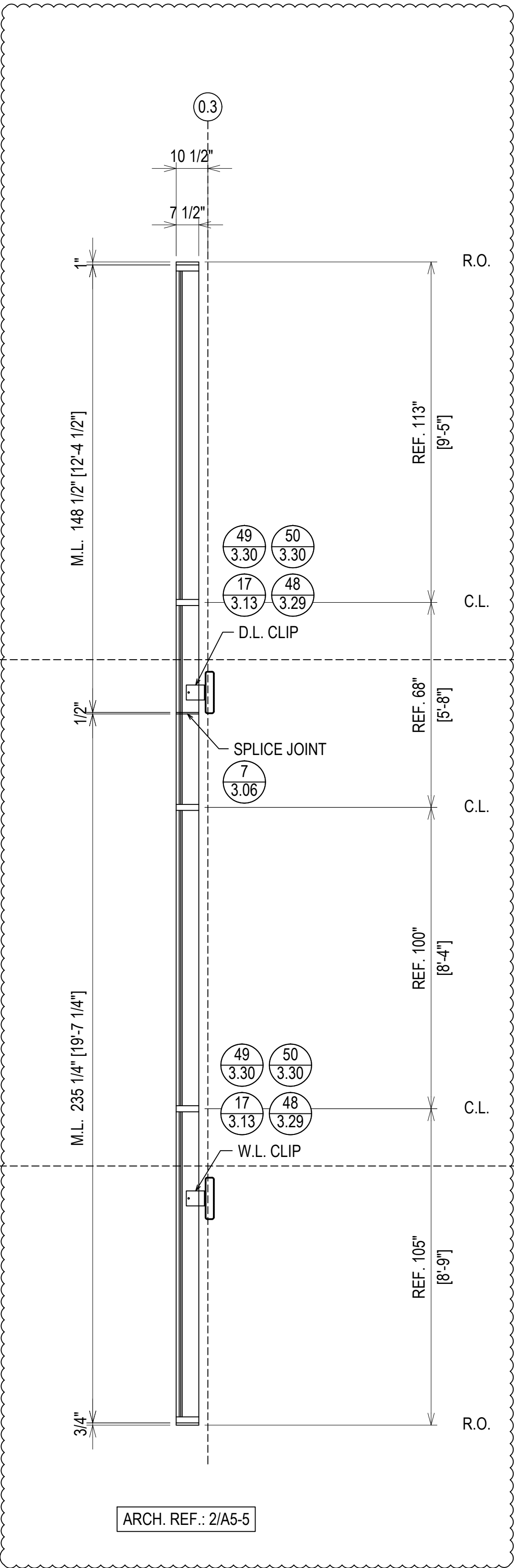
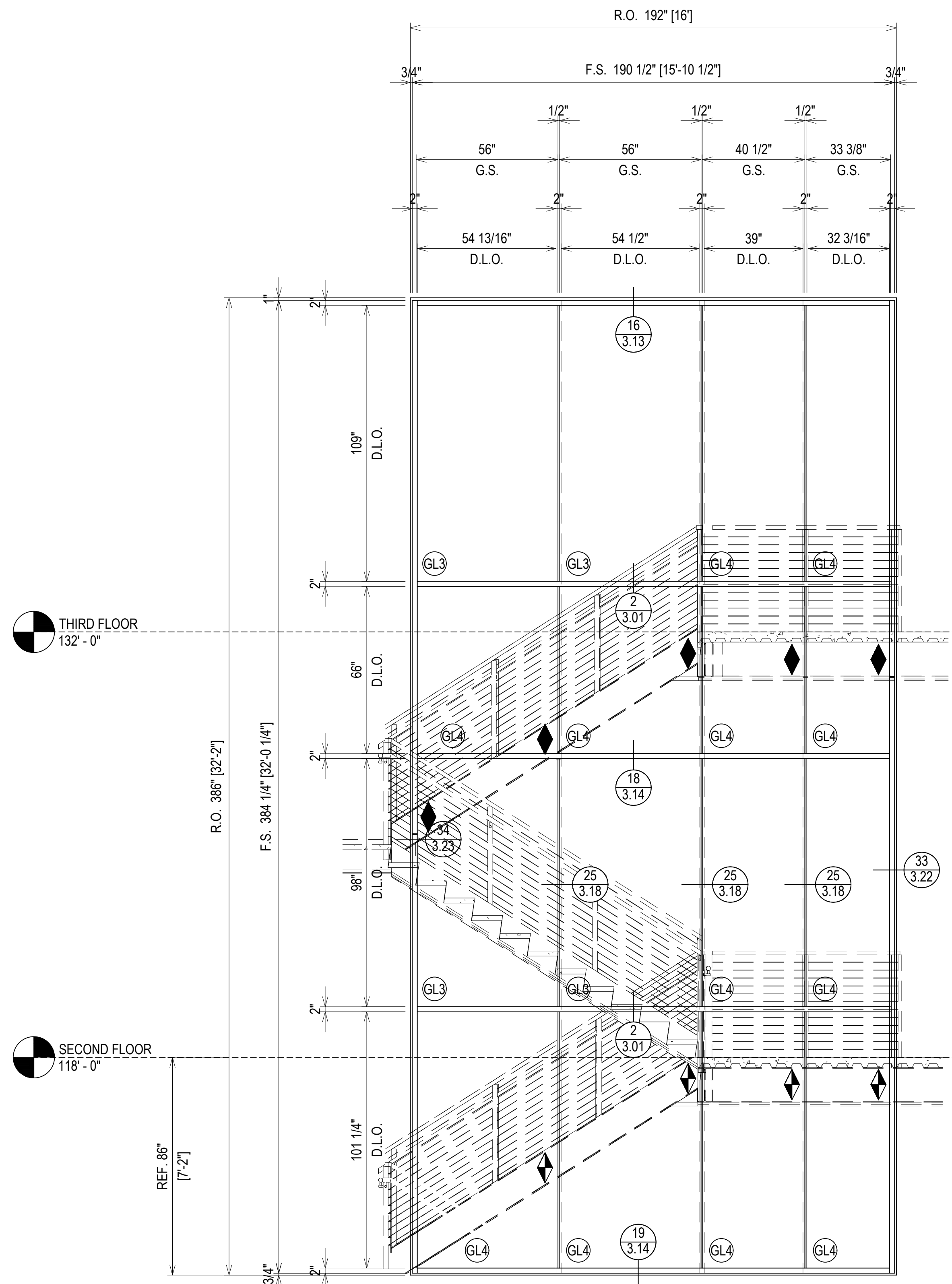


**ELEVATION**   
 SCALE: 3/8" = 1'-0"  
 KAWNEER 1620 SSG - 2" X 7 1/2"  
 EXTERIOR CURTAIN WALL  
 1" INSULATED GLASS (FRONT SET)  
 QUANTITY: 1



**ERECTOR / G.C. NOTE:**  
 PLEASE FIELD VERIFY ALL DIMENSIONS

<p><b>PROJECT:</b> CONVOY OF HOPE          GLOBAL HEADQUARTERS          AND TRAINING CENTER</p> <p><b>LOCATION:</b> 7200 W. CARNAHAN STREET          SPRINGFIELD, MO 65802</p>	<p style="text-align: center;"><b>SPRINGFIELD GLASS COMPANY</b>          2503 NORTH OAK GROVE AVE.          SPRINGFIELD, MO 65803          P: 417.883.6555</p>
<p><b>1ST SUBMISSION</b>          7.20.22</p> <p><b>1ST REVISION</b>          8.3.22</p>	<p><b>NO</b>          DATE</p>
<p><b>2.15</b></p>	



**ELEVATION**  
 SCALE: 3/8" = 1'-0"  
 KAWNEER 1620 SSG - 2" X 7 1/2"  
 EXTERIOR CURTAIN WALL  
 1" INSULATED GLASS (FRONT SET)  
 QUANTITY: 1



1ST SUBMISSION	7.20.22
1ST REVISION	8.3.22
NO	DATE
NO	DESCRIPTION
NO	DRAWING SUBMISSION

PROJECT: CONVOY OF HOPE  
 GLOBAL HEADQUARTERS  
 AND TRAINING CENTER  
 LOCATION: 7200 W. CARNAHAN STREET  
 SPRINGFIELD, MO 65802

SPRINGFIELD GLASS COMPANY  
 2503 NORTH OAK GROVE AVE.  
 SPRINGFIELD, MO 65803  
 P: 417.883.6555

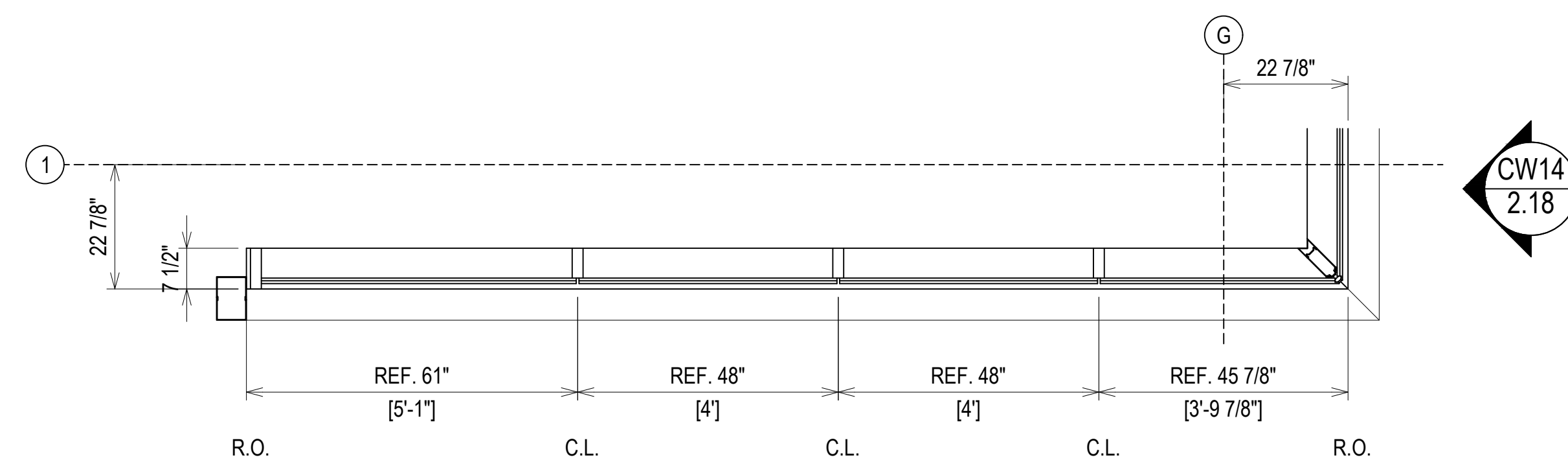
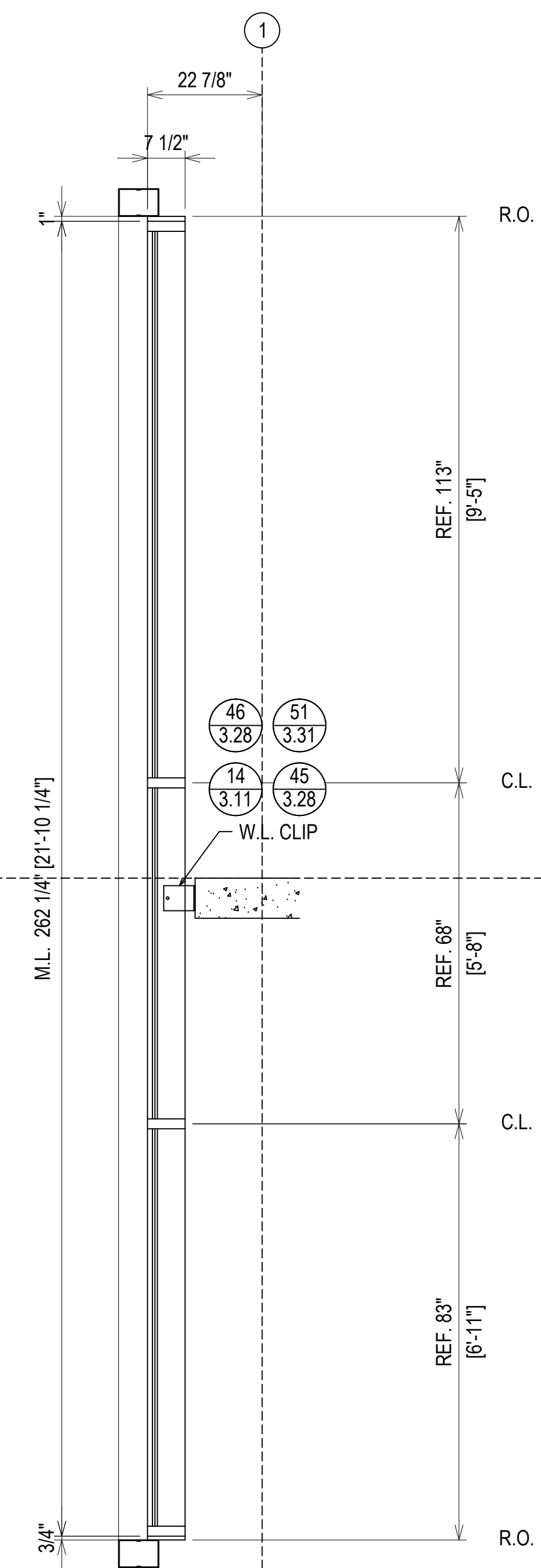
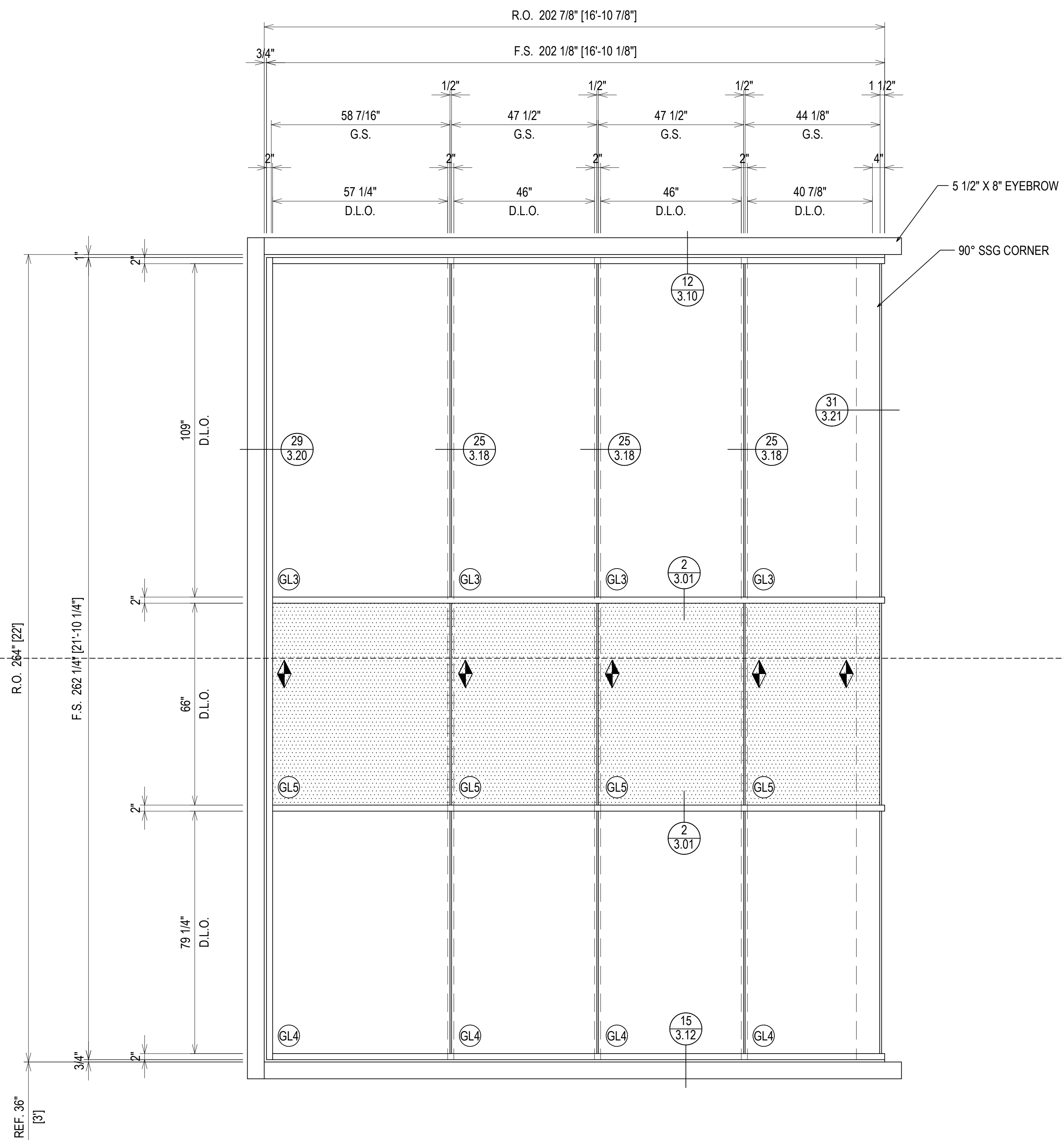
DRAWN BY:	DATE:
DJ	7.20.22
CHECKED BY:	DATE:
RD	7.20.22

ERECTOR / G.C. NOTE:  
 PLEASE FIELD VERIFY ALL DIMENSIONS



THIRD FLOOR  
132'-0"

SECOND FLOOR  
118'-0"



ARCH. REF.: 4/A5-6

**ELEVATION** CW13  
 SCALE: 1/2" = 1'-0"  
 KAWNEER 1620 SSG - 2" X 7 1/2"  
 EXTERIOR CURTAIN WALL  
 1" INSULATED GLASS (FRONT SET)  
 QUANTITY: 1

ERECTOR / G.C. NOTE:  
PLEASE FIELD VERIFY ALL DIMENSIONS

1ST SUBMISSION	7.20.22
1ST REVISION	8.3.22
NO	NO
DESCRIPTION	DATE
DRAWING SUBMISSION	

SPRINGFIELD GLASS COMPANY  
 2503 NORTH OAK GROVE AVE.  
 SPRINGFIELD, MO 65803  
 P: 417.883.6555

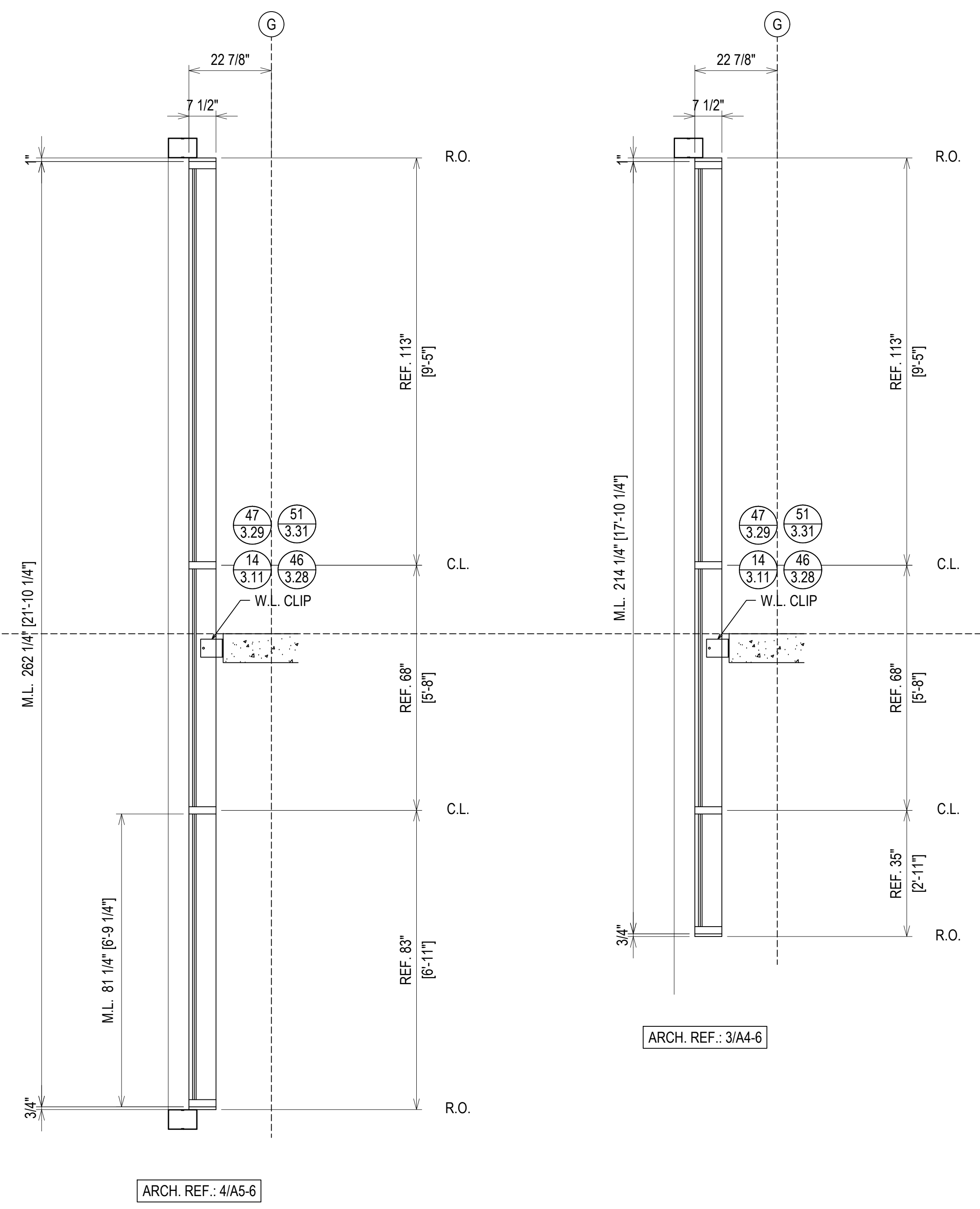
PROJECT: CONVOY OF HOPE  
 GLOBAL HEADQUARTERS  
 AND TRAINING CENTER  
 LOCATION: 7200 W. CARNAHAN STREET  
 SPRINGFIELD, MO 65802

DRAWN BY:	DATE:
DJ	7.20.22
CHECKED BY:	DATE:
RD	7.20.22

**2.17**

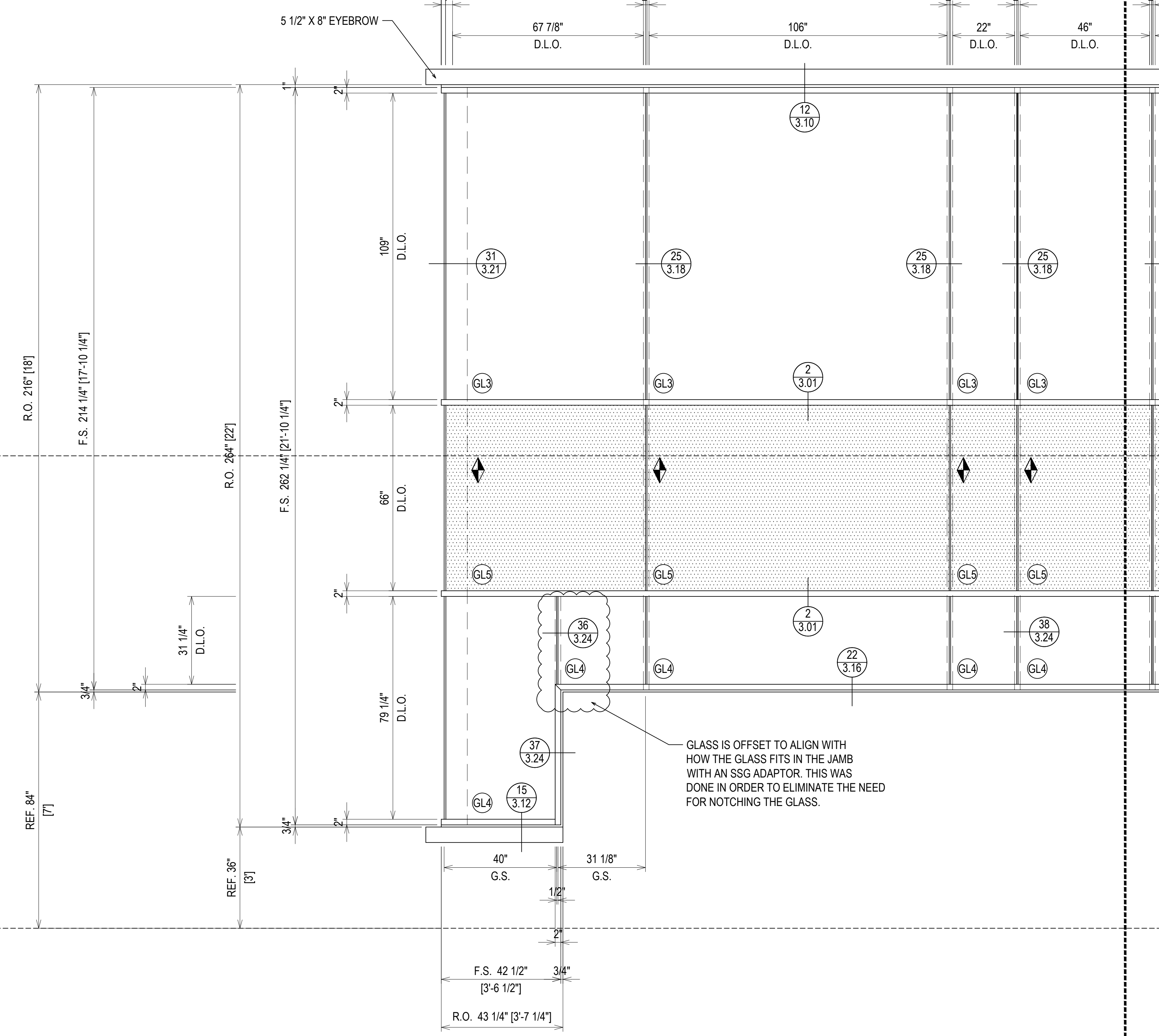
THIRD FLOOR  
132'-0"

SECOND FLOOR  
118'-0"

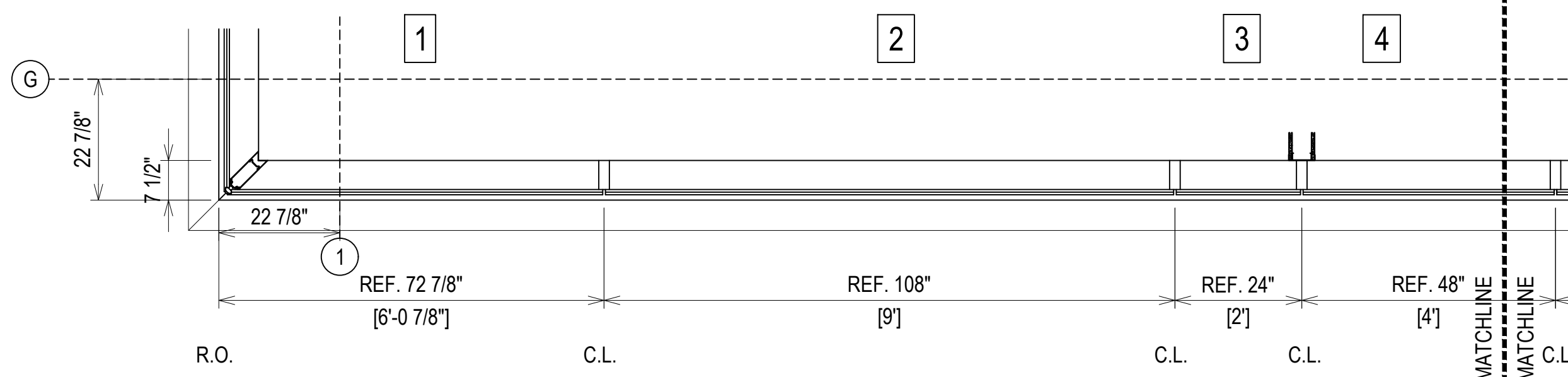


**ELEVATION** CW14  
 SCALE: 1/2" = 1'-0"  
 KAWNEER 1620 SSG - 2" X 7 1/2"  
 EXTERIOR CURTAIN WALL  
 1" INSULATED GLASS (FRONT SET)  
 QUANTITY: 1

ERECTOR / G.C. NOTE:  
PLEASE FIELD VERIFY ALL DIMENSIONS



CW13  
2.17



1ST SUBMISSION	7.20.22
1ST REVISION	8.3.22
NO	DATE
NO	DESCRIPTION
NO	DRAWING SUBMISSION

PROJECT: CONVOY OF HOPE  
 GLOBAL HEADQUARTERS  
 AND TRAINING CENTER  
 LOCATION: 7200 W. CARNAHAN STREET  
 SPRINGFIELD, MO 65802

SPRINGFIELD GLASS COMPANY  
 2503 NORTH OAK GROVE AVE.  
 SPRINGFIELD, MO 65803  
 P: 417.883.6555

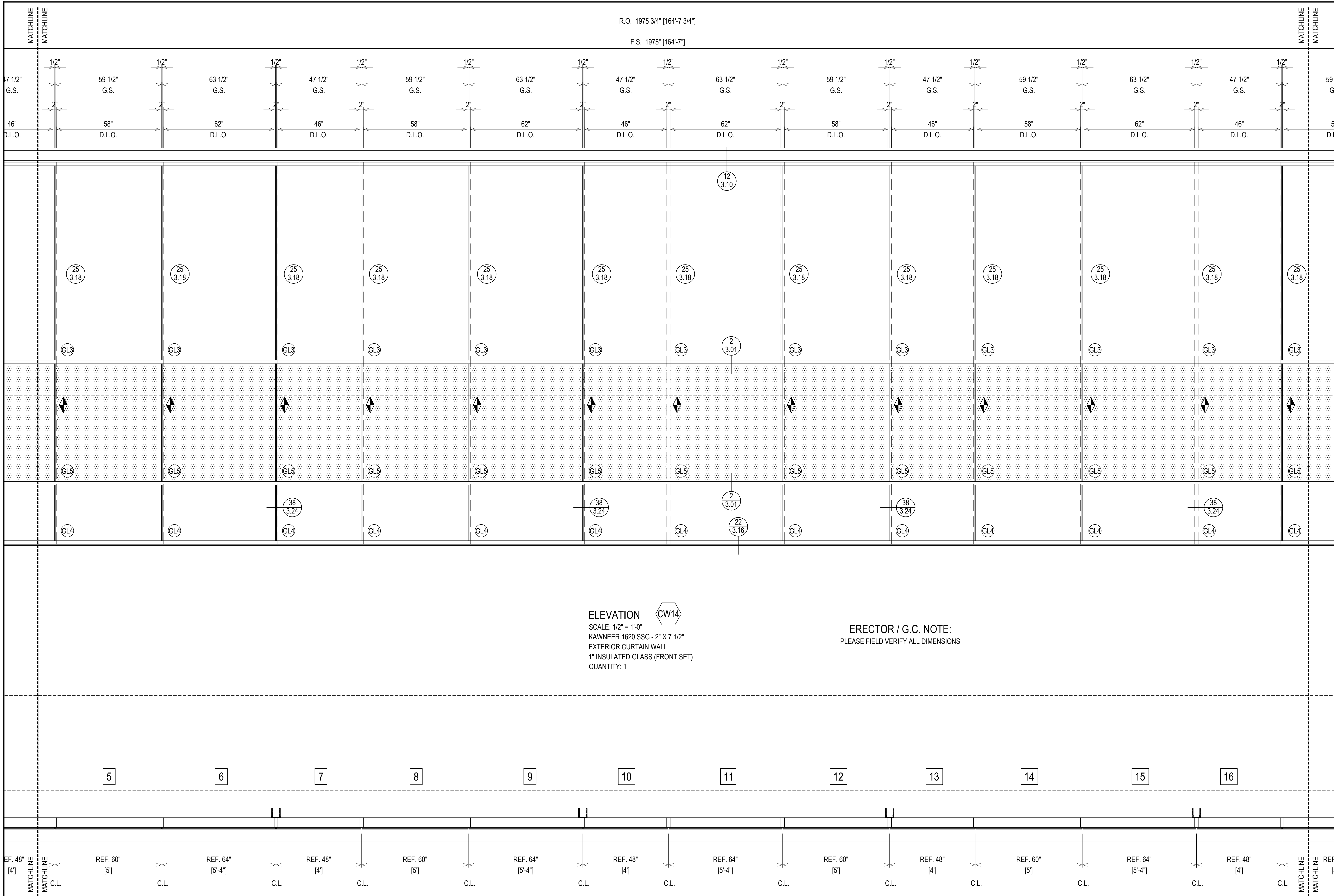
PROJECT: CONVOY OF HOPE  
 GLOBAL HEADQUARTERS  
 AND TRAINING CENTER  
 LOCATION: 7200 W. CARNAHAN STREET  
 SPRINGFIELD, MO 65802

DRAWN BY: DJ	DATE: 7.20.22
CHECKED BY: RD	DATE: 7.20.22

**2.18**

R.O. 1975 3/4" [164'-7 3/4"]

F.S. 1975" [164'-7"]



**ELEVATION** CW14  
 SCALE: 1/2" = 1'-0"  
 KAWNEER 1620 SSG - 2" X 7 1/2"  
 EXTERIOR CURTAIN WALL  
 1" INSULATED GLASS (FRONT SET)  
 QUANTITY: 1

**ERECTOR / G.C. NOTE:**  
 PLEASE FIELD VERIFY ALL DIMENSIONS

7.20.22	DATE
8.3.22	DATE
1ST SUBMISSION	NO
1ST REVISION	NO
	DESCRIPTION
	DRAWING SUBMISSION

PROJECT: CONVOY OF HOPE  
 GLOBAL HEADQUARTERS  
 AND TRAINING CENTER  
 LOCATION: 7200 W. CARNAHAN STREET  
 SPRINGFIELD, MO 65802

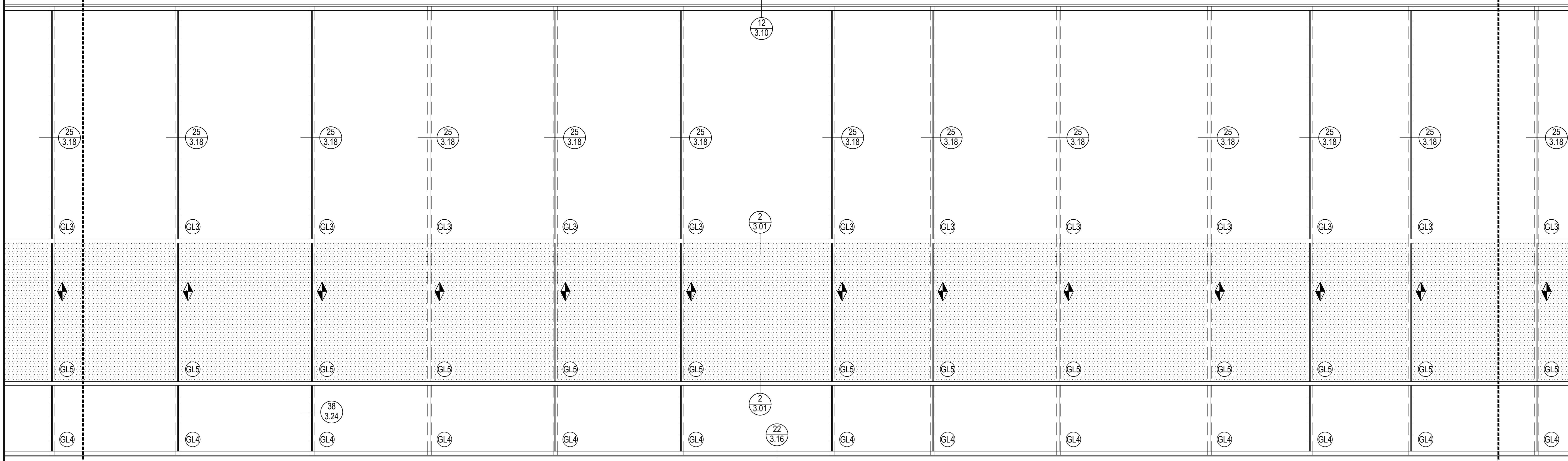
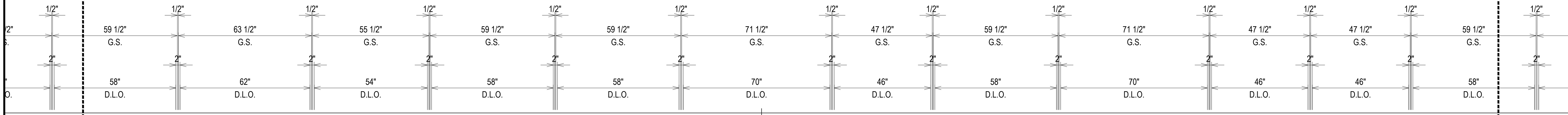
SPRINGFIELD GLASS COMPANY  
 2503 NORTH OAK GROVE AVE.  
 SPRINGFIELD, MO 65803  
 P: 417.883.6555

DRAWN BY: DJ  
 CHECKED BY: RD  
 DATE: 7.20.22

**2.19**

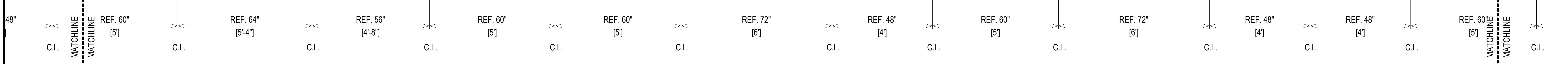
R.O. 1975 3/4" [164'-7 3/4"]

F.S. 1975" [164'-7"]

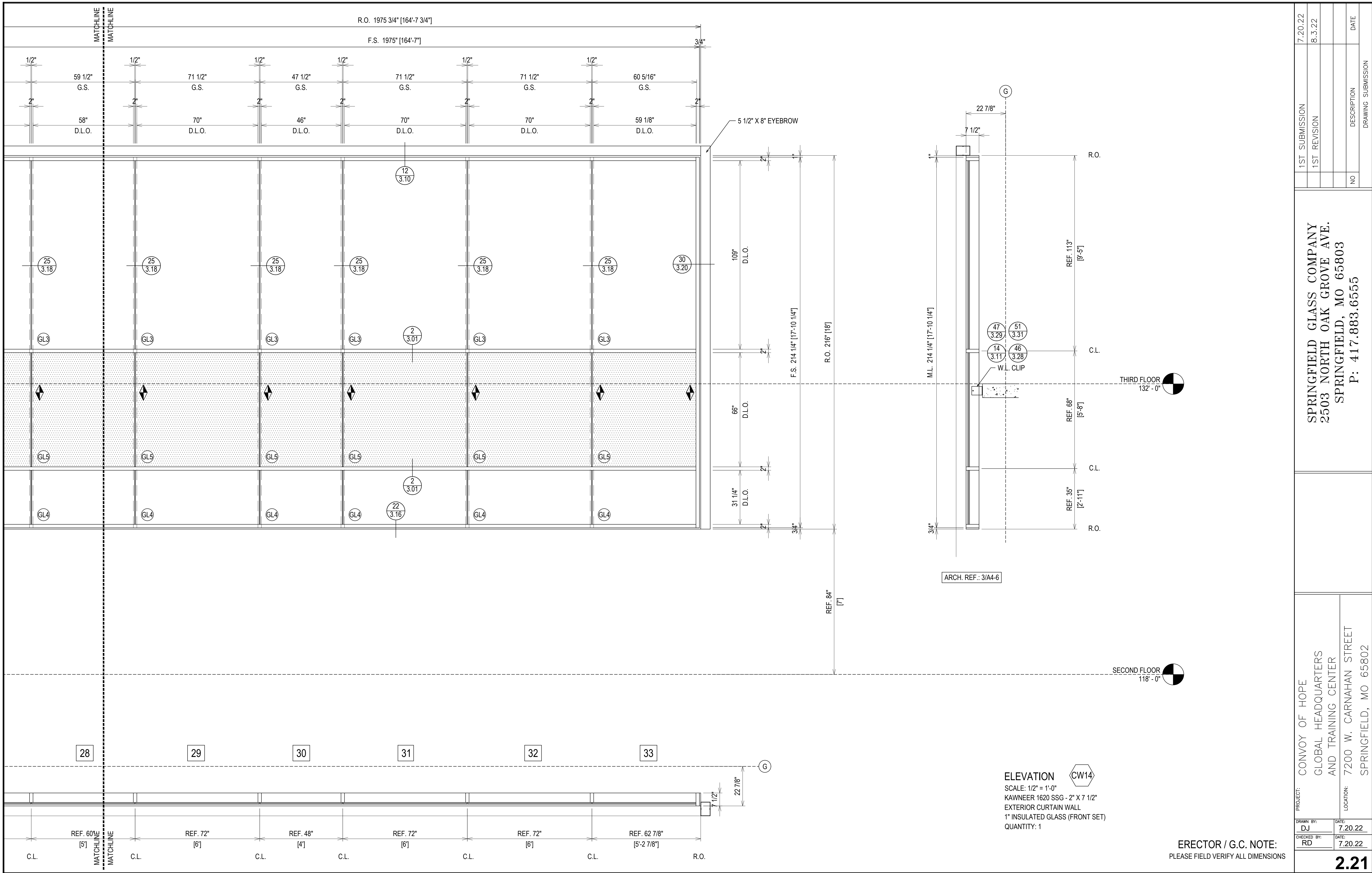


**ELEVATION** CW14  
 SCALE: 1/2" = 1'-0"  
 KAWNEER 1620 SSG - 2" X 7 1/2"  
 EXTERIOR CURTAIN WALL  
 1" INSULATED GLASS (FRONT SET)  
 QUANTITY: 1

**ERECTOR / G.C. NOTE:**  
 PLEASE FIELD VERIFY ALL DIMENSIONS



7.20.22	1ST SUBMISSION	NO	DESCRIPTION	DATE
8.3.22	1ST REVISION			
<b>SPRINGFIELD GLASS COMPANY</b> 2503 NORTH OAK GROVE AVE. SPRINGFIELD, MO 65803 P: 417.883.6555				
PROJECT: CONVOY OF HOPE GLOBAL HEADQUARTERS AND TRAINING CENTER LOCATION: 7200 W. CARNAHAN STREET SPRINGFIELD, MO 65802				
DRAWN BY:	DJ	DATE:	7.20.22	
CHECKED BY:	RD	DATE:	7.20.22	
2.20				



7.20.22	1ST SUBMISSION			
8.3.22	1ST REVISION			

PROJECT: CONVOY OF HOPE  
 GLOBAL HEADQUARTERS  
 AND TRAINING CENTER  
 LOCATION: 7200 W. CARNAHAN STREET  
 SPRINGFIELD, MO 65802

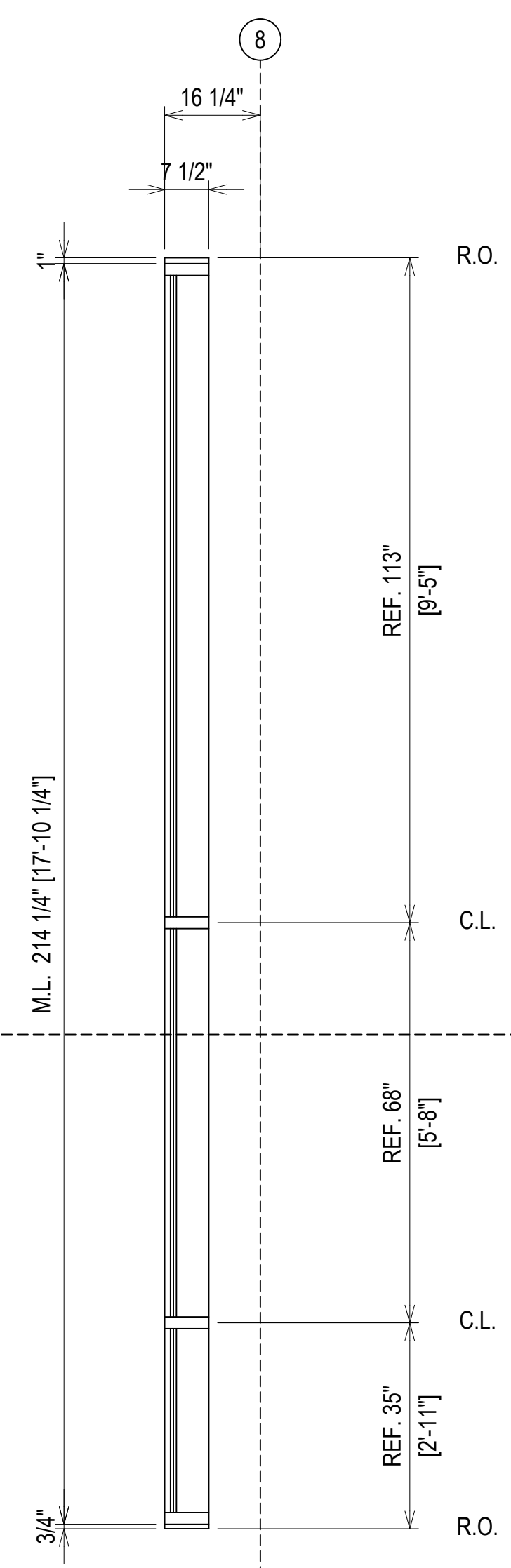
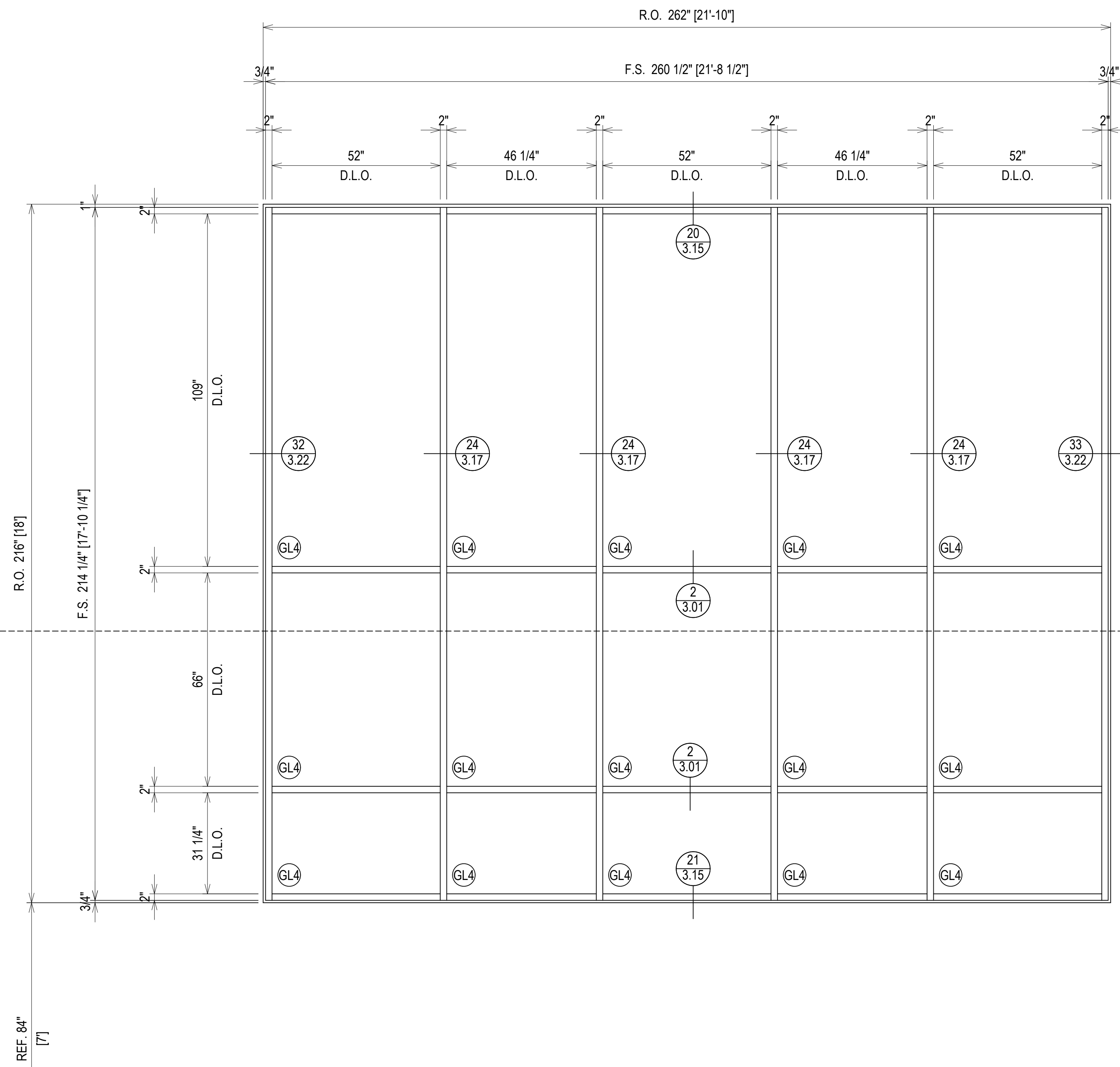
PROJECT: CONVOY OF HOPE  
 GLOBAL HEADQUARTERS  
 AND TRAINING CENTER  
 LOCATION: 7200 W. CARNAHAN STREET  
 SPRINGFIELD, MO 65802

DATE:	7.20.22
CHECKED BY:	RD
DATE:	7.20.22

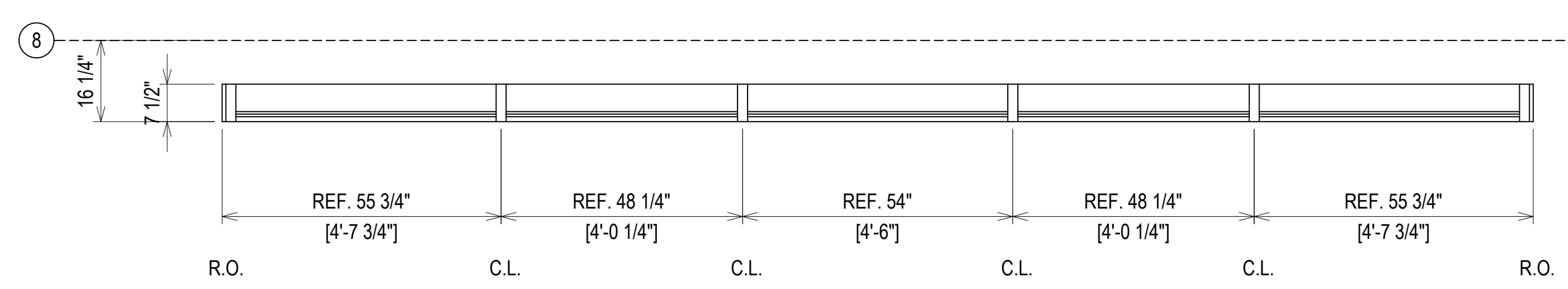
ERECTOR / G.C. NOTE:  
 PLEASE FIELD VERIFY ALL DIMENSIONS

THIRD FLOOR  
132' - 0"

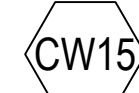
SECOND FLOOR  
118' - 0"



ARCH. REF.: 4/A5-2



**ELEVATION**  
SCALE: 1/2" = 1'-0"  
KAWNEER 1620 - 2" X 7 1/2"  
EXTERIOR CURTAIN WALL  
1" INSULATED GLASS (FRONT SET)  
QUANTITY: 1



ERECTOR / G.C. NOTE:  
PLEASE FIELD VERIFY ALL DIMENSIONS

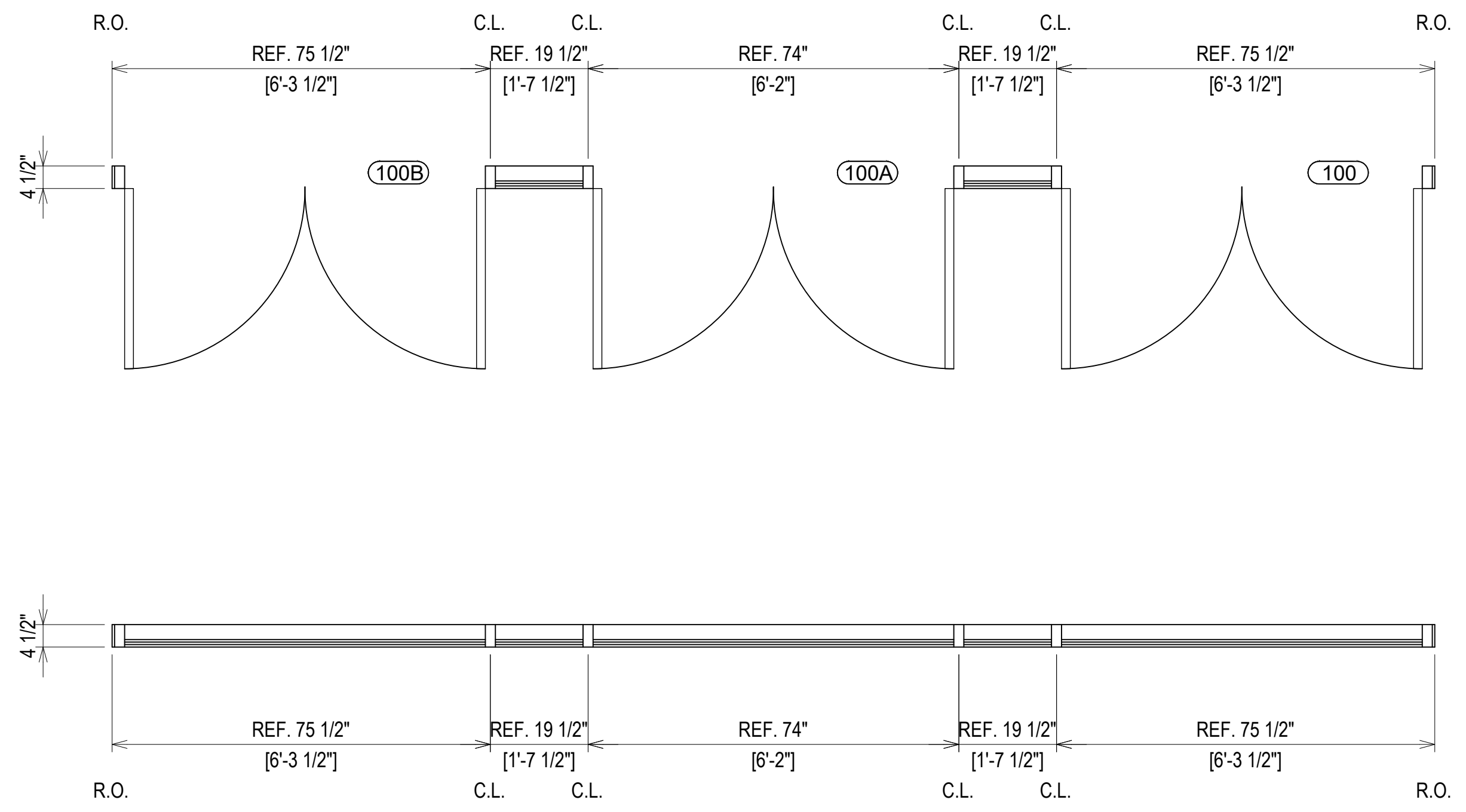
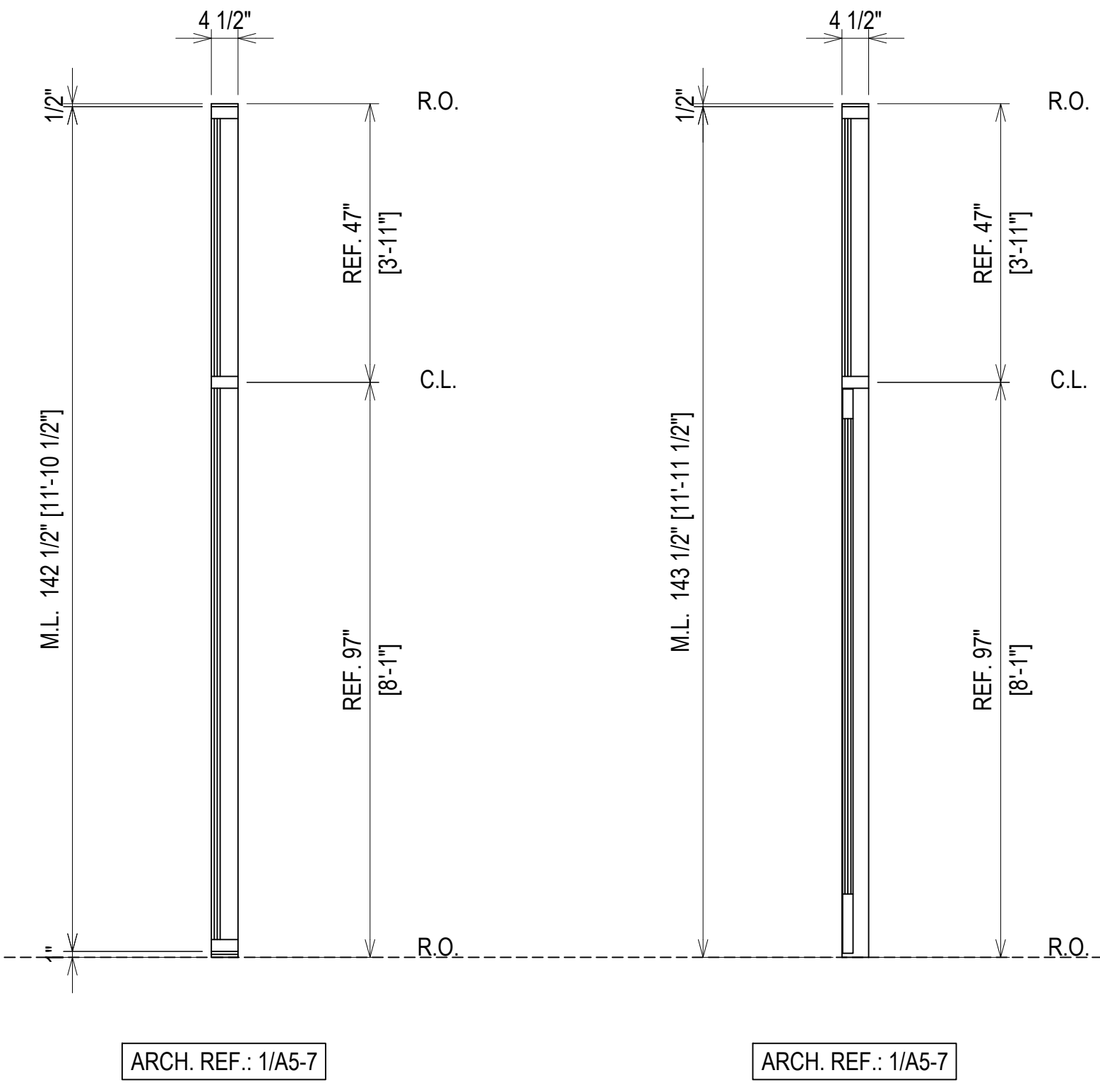
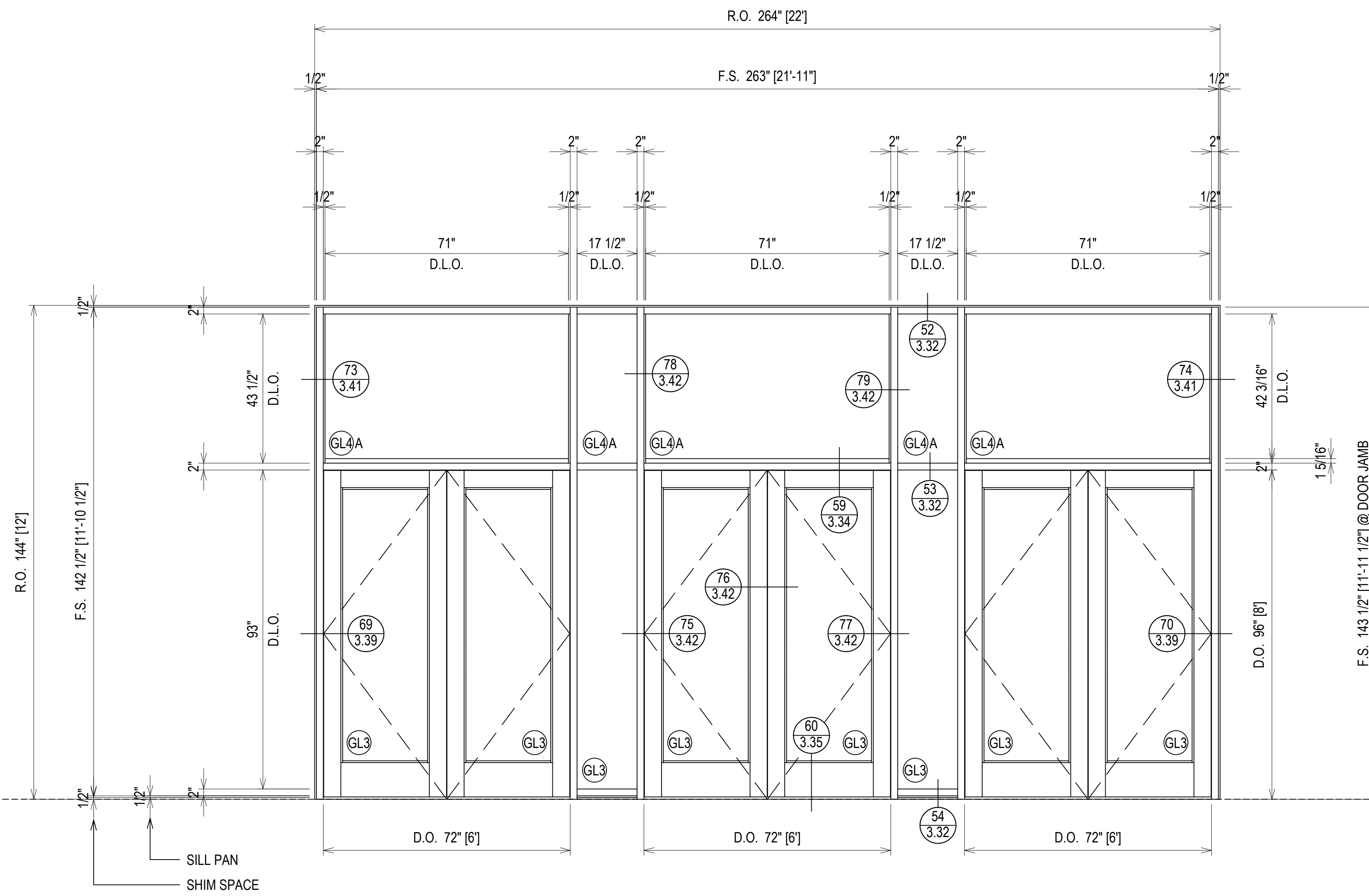
1ST SUBMISSION	7.20.22
1ST REVISION	8.3.22
NO	DESCRIPTION
NO	DATE

PROJECT: CONVOY OF HOPE  
GLOBAL HEADQUARTERS  
AND TRAINING CENTER  
LOCATION: 7200 W. CARNAHAN STREET  
SPRINGFIELD, MO 65802

PROJECT: CONVOY OF HOPE  
GLOBAL HEADQUARTERS  
AND TRAINING CENTER  
LOCATION: 7200 W. CARNAHAN STREET  
SPRINGFIELD, MO 65802

DRAWN BY: DJ	DATE: 7.20.22
CHECKED BY: RD	DATE: 7.20.22

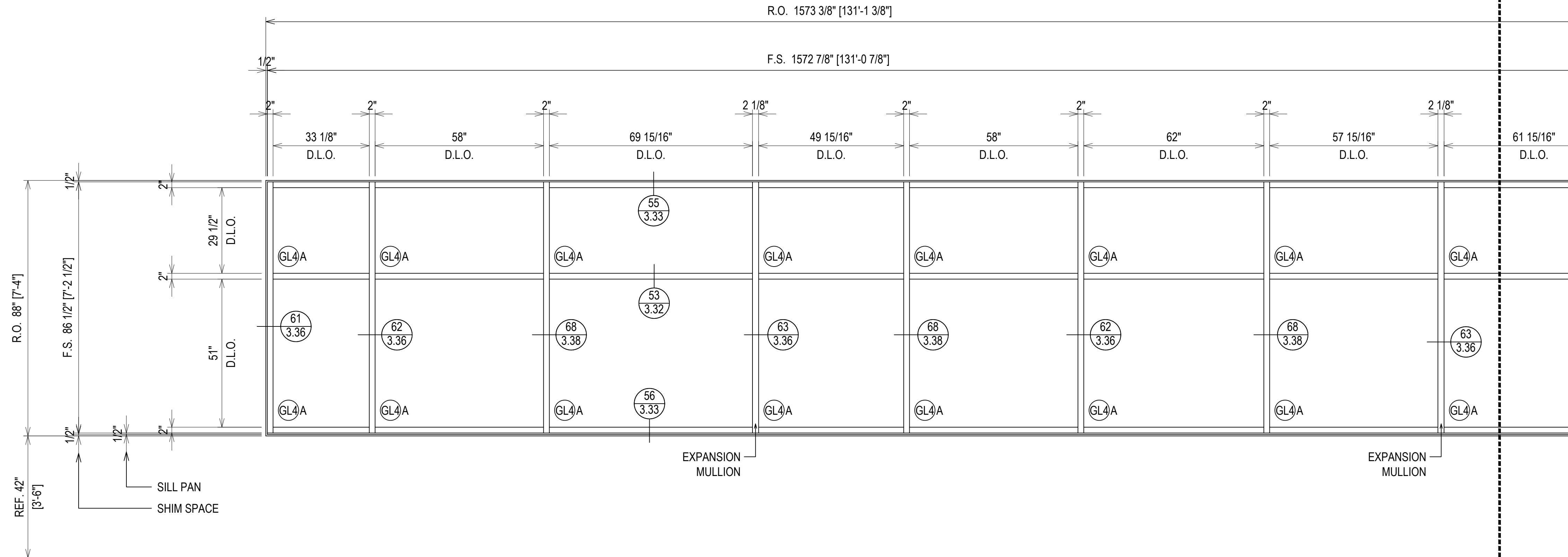
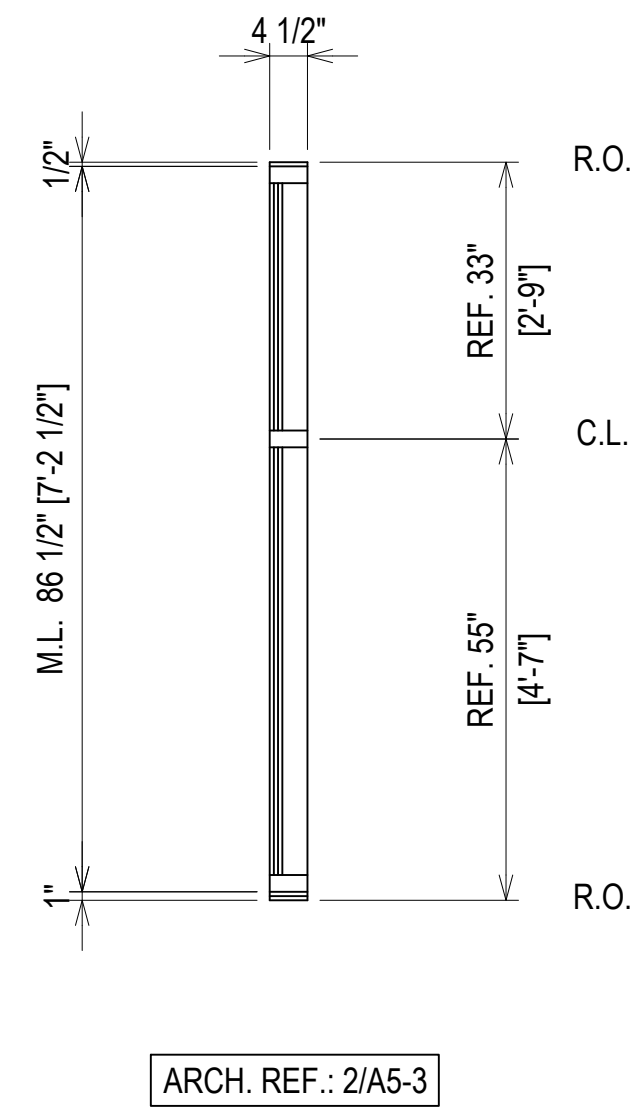
**2.22**



**ELEVATION** SF1  
 SCALE: 1/2" = 1'-0"  
 KAWNEER TRI-FAB 451T - 2" X 4 1/2"  
 EXTERIOR STOREFRONT  
 1" INSULATED GLASS (FRONT SET)  
 QUANTITY: 1

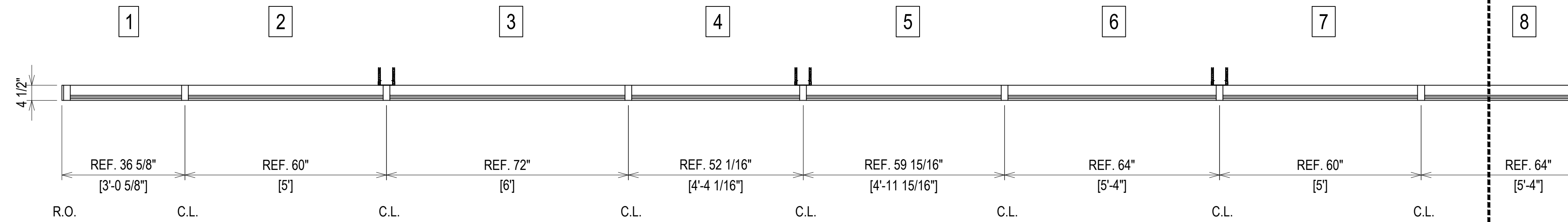
ERECTOR / G.C. NOTE:  
 PLEASE FIELD VERIFY ALL DIMENSIONS

PROJECT: CONVOY OF HOPE GLOBAL HEADQUARTERS AND TRAINING CENTER		LOCATION: 7200 W. CARNAHAN STREET SPRINGFIELD, MO 65802	
1ST SUBMISSION	7.20.22	1ST REVISION	8.3.22
NO	NO	DESCRIPTION	DATE
DRAWING SUBMISSION			
SPRINGFIELD GLASS COMPANY 2503 NORTH OAK GROVE AVE. SPRINGFIELD, MO 65803 P: 417.883.6555			
DRAWN BY: DJ		DATE: 7.20.22	
CHECKED BY: RD		DATE: 7.20.22	
<b>2.23</b>			



FIRST FLOOR  
100' - 0"

**ELEVATION** SF3  
 SCALE: 1/2" = 1'-0"  
 KAWNEER TRI-FAB 451T - 2" X 4 1/2"  
 EXTERIOR STOREFRONT  
 1" INSULATED GLASS (FRONT SET)  
 QUANTITY: 1



1ST SUBMISSION	7.20.22
1ST REVISION	8.3.22
NO	DATE
NO	DESCRIPTION
NO	DRAWING SUBMISSION

**SPRINGFIELD GLASS COMPANY**  
 2503 NORTH OAK GROVE AVE.  
 SPRINGFIELD, MO 65803  
 P: 417.883.6555

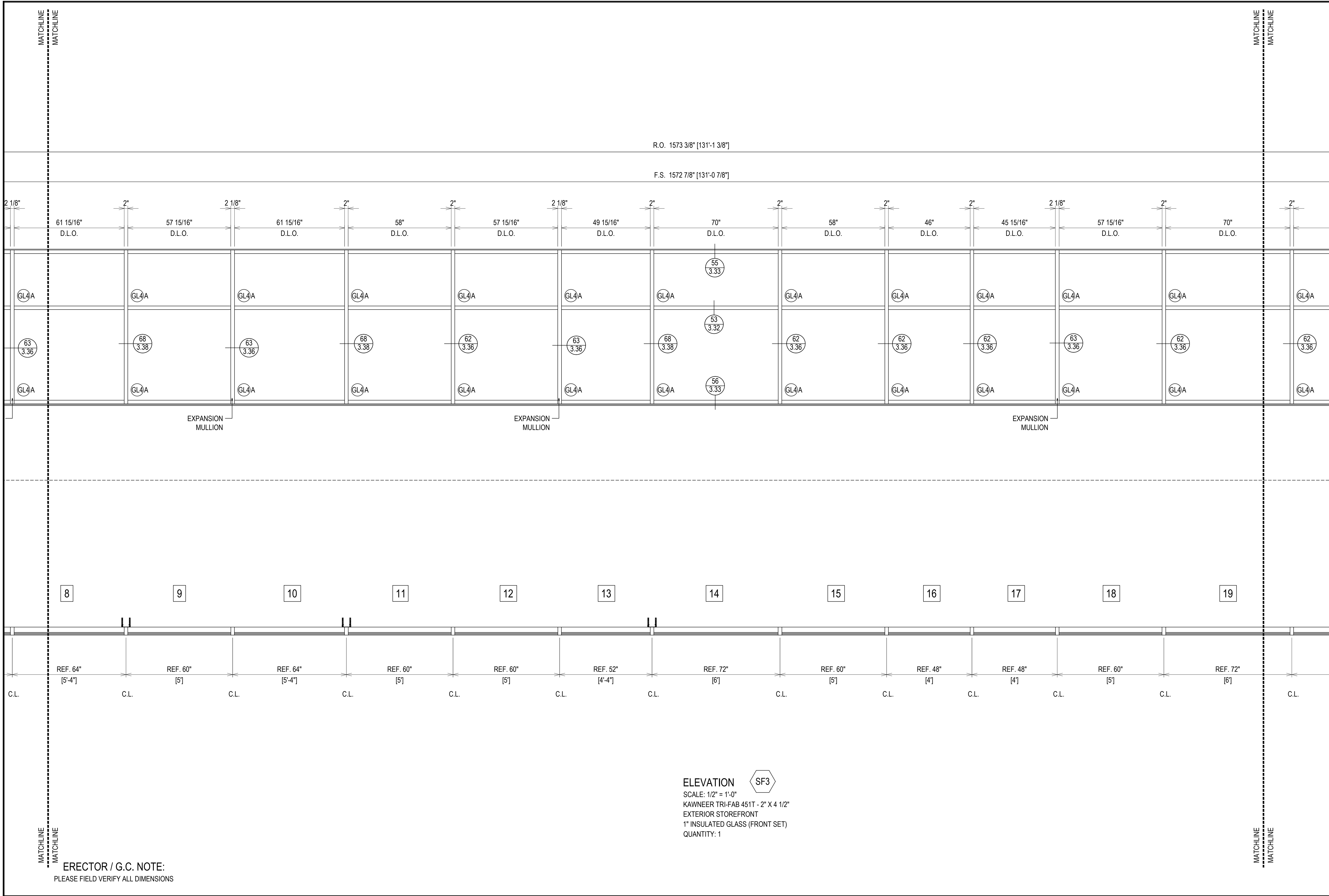
PROJECT: CONVOY OF HOPE  
 GLOBAL HEADQUARTERS  
 AND TRAINING CENTER  
 LOCATION: 7200 W. CARNAHAN STREET  
 SPRINGFIELD, MO 65802

DRAWN BY:	DATE:
DJ	7.20.22
CHECKED BY:	DATE:
RD	7.20.22

ERECTOR / G.C. NOTE:  
PLEASE FIELD VERIFY ALL DIMENSIONS

ERECTOR / G.C. NOTE:  
PLEASE FIELD VERIFY ALL DIMENSIONS





**ELEVATION** SF3  
 SCALE: 1/2" = 1'-0"  
 KAWNEER TRI-FAB 451T - 2" X 4 1/2"  
 EXTERIOR STOREFRONT  
 1" INSULATED GLASS (FRONT SET)  
 QUANTITY: 1

**ERECTOR / G.C. NOTE:**  
 PLEASE FIELD VERIFY ALL DIMENSIONS

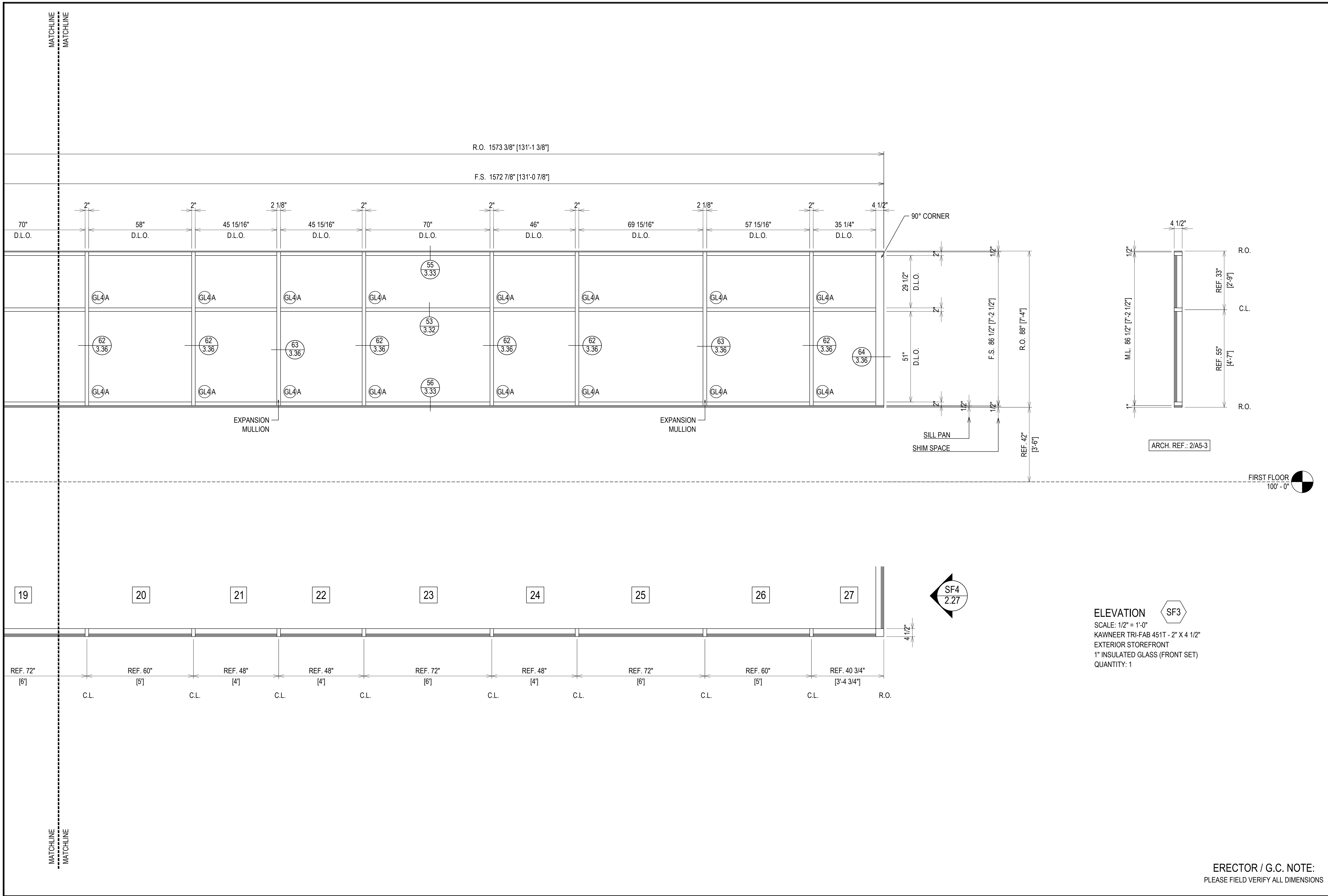
1ST SUBMISSION	7.20.22
1ST REVISION	8.3.22
NO	DATE
DESCRIPTION	DRAWING SUBMISSION

**SPRINGFIELD GLASS COMPANY**  
 2503 NORTH OAK GROVE AVE.  
 SPRINGFIELD, MO 65803  
 P: 417.883.6555

**PROJECT:** CONVOY OF HOPE  
 GLOBAL HEADQUARTERS  
 AND TRAINING CENTER  
**LOCATION:** 7200 W. CARNAHAN STREET  
 SPRINGFIELD, MO 65802

<b>DRAWN BY:</b> DJ	<b>DATE:</b> 7.20.22
<b>CHECKED BY:</b> RD	<b>DATE:</b> 7.20.22

**2.25**



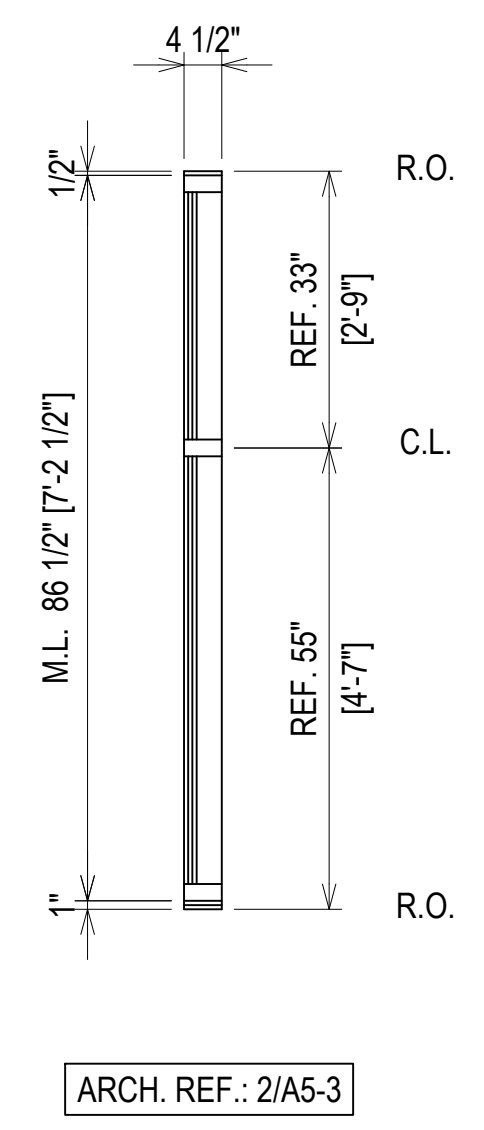
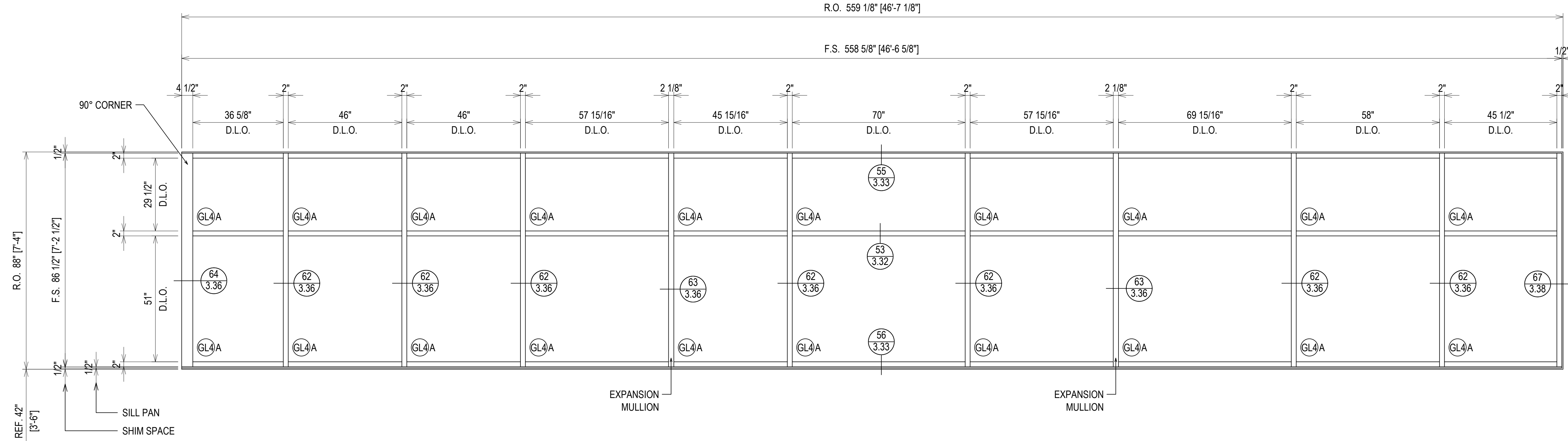
1ST SUBMISSION	7.20.22
1ST REVISION	8.3.22
NO	DATE
NO	DESCRIPTION
DRAWING SUBMISSION	

SPRINGFIELD GLASS COMPANY  
 2503 NORTH OAK GROVE AVE.  
 SPRINGFIELD, MO 65803  
 P: 417.883.6555

PROJECT: CONVOY OF HOPE  
 GLOBAL HEADQUARTERS  
 AND TRAINING CENTER  
 LOCATION: 7200 W. CARNAHAN STREET  
 SPRINGFIELD, MO 65802

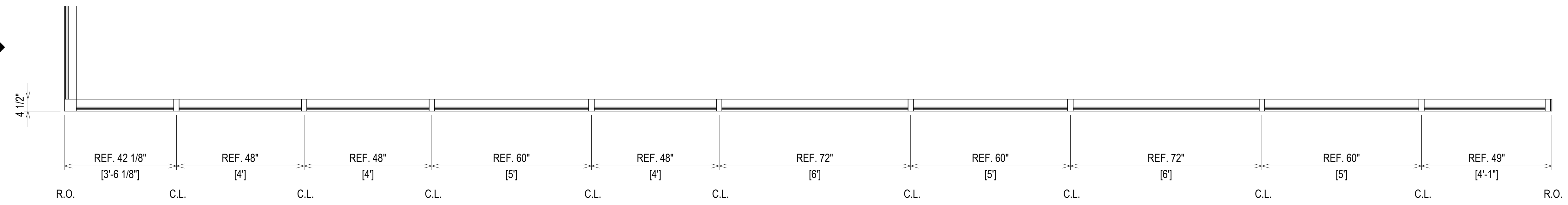
DRAWN BY: DJ	DATE: 7.20.22
CHECKED BY: RD	DATE: 7.20.22

ERECTOR / G.C. NOTE:  
 PLEASE FIELD VERIFY ALL DIMENSIONS



FIRST FLOOR  
100'-0"

SF3  
2.26



**ELEVATION** SF4  
 SCALE: 1/2" = 1'-0"  
 KAWNEER TRI-FAB 451T - 2" X 4 1/2"  
 EXTERIOR STOREFRONT  
 1" INSULATED GLASS (FRONT SET)  
 QUANTITY: 1

**ERECTOR / G.C. NOTE:**  
 PLEASE FIELD VERIFY ALL DIMENSIONS

1ST SUBMISSION	7.20.22
1ST REVISION	8.3.22
NO	DATE
NO	DESCRIPTION
NO	DRAWING SUBMISSION

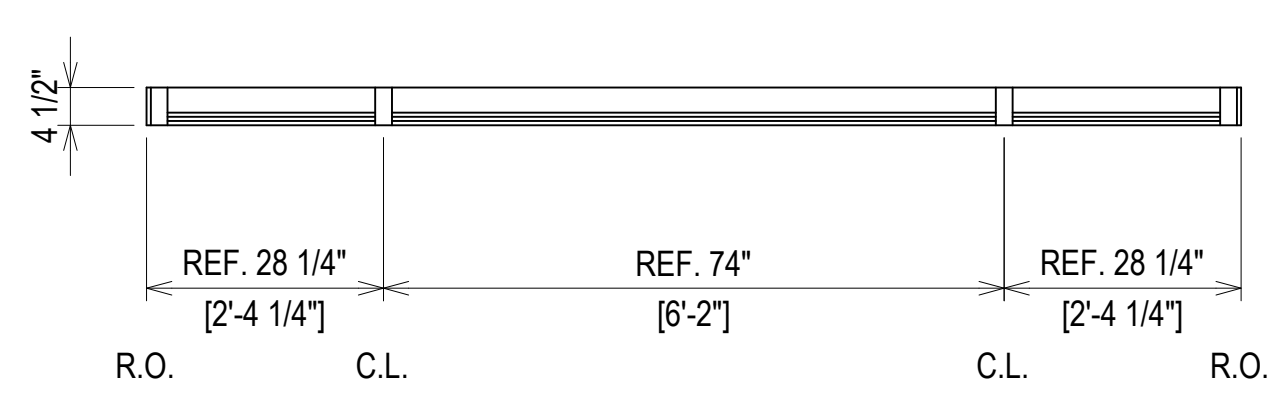
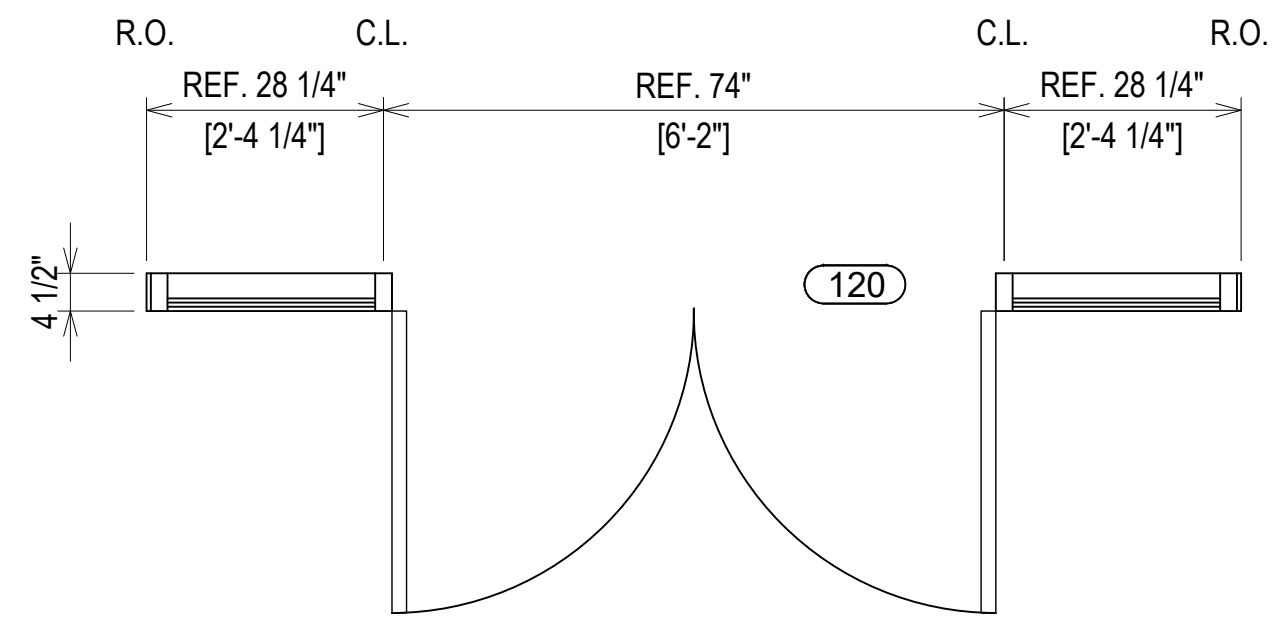
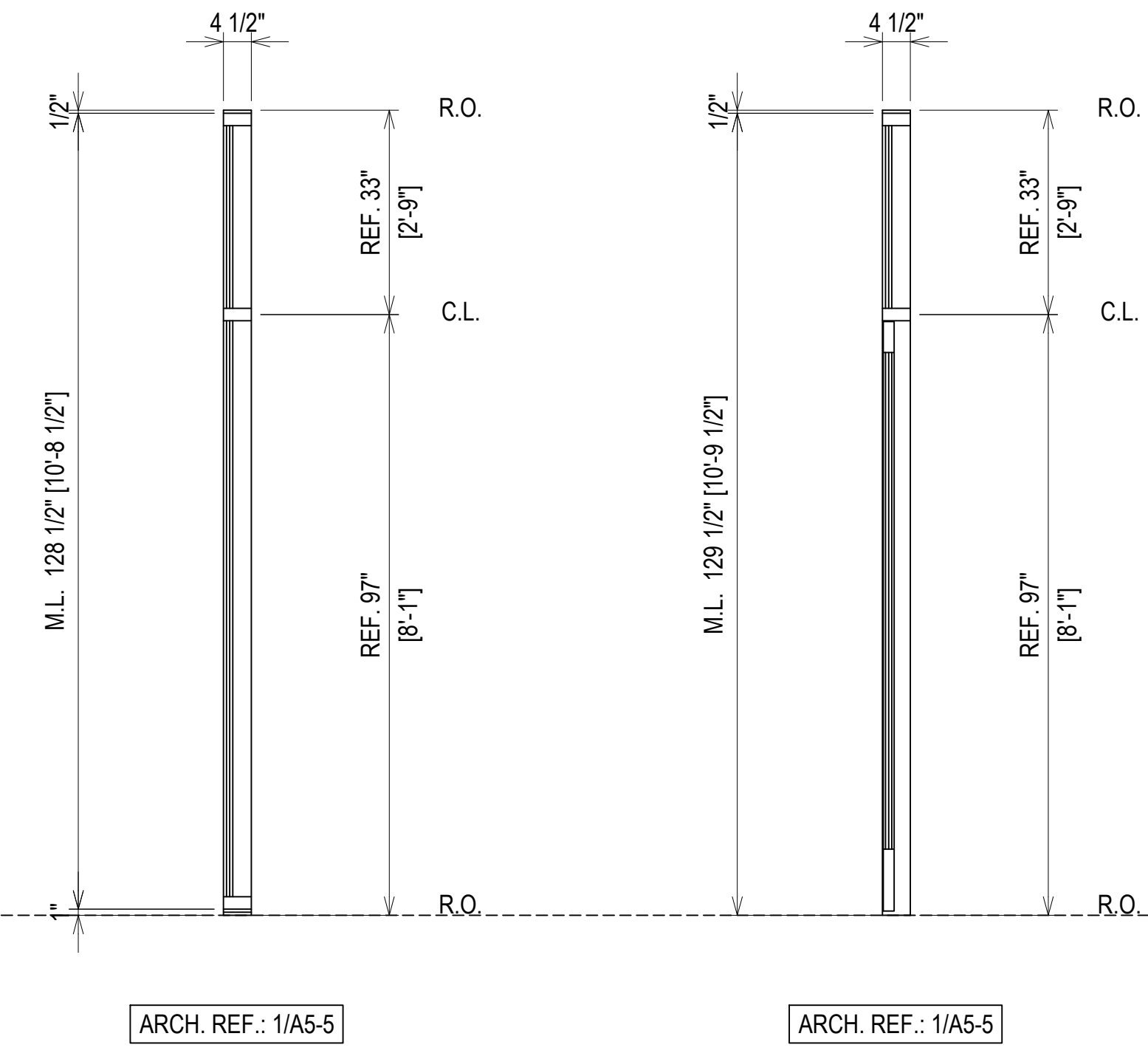
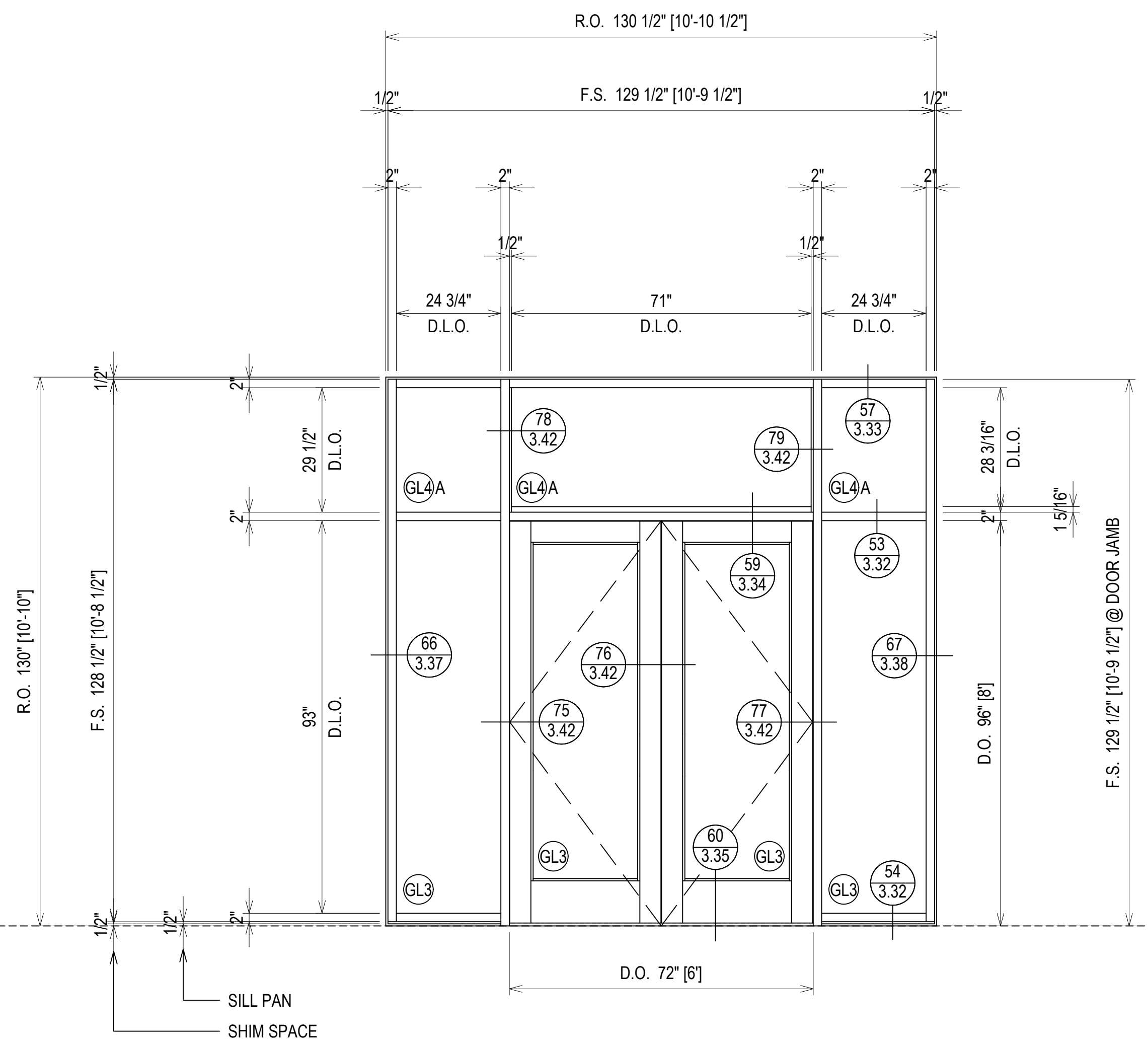
**SPRINGFIELD GLASS COMPANY**  
 2503 NORTH OAK GROVE AVE.  
 SPRINGFIELD, MO 65803  
 P: 417.883.6555

PROJECT: CONVOY OF HOPE  
 GLOBAL HEADQUARTERS  
 AND TRAINING CENTER  
 LOCATION: 7200 W. CARNAHAN STREET  
 SPRINGFIELD, MO 65802

DRAWN BY:	DATE:
DJ	7.20.22
CHECKED BY:	DATE:
RD	7.20.22

**2.27**

FIRST FLOOR  
100'-0"



**ELEVATION** SF5  
 SCALE: 1/2" = 1'-0"  
 KAWNEER TRI-FAB 451T - 2" X 4 1/2"  
 EXTERIOR STOREFRONT  
 1" INSULATED GLASS (FRONT SET)  
 QUANTITY: 1

ERECTOR / G.C. NOTE:  
 PLEASE FIELD VERIFY ALL DIMENSIONS

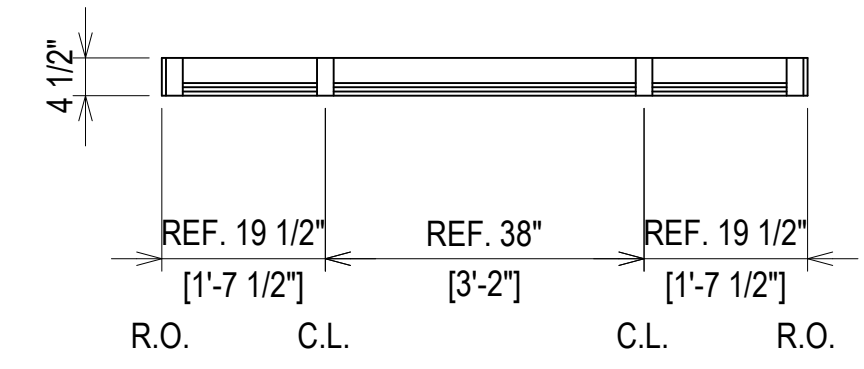
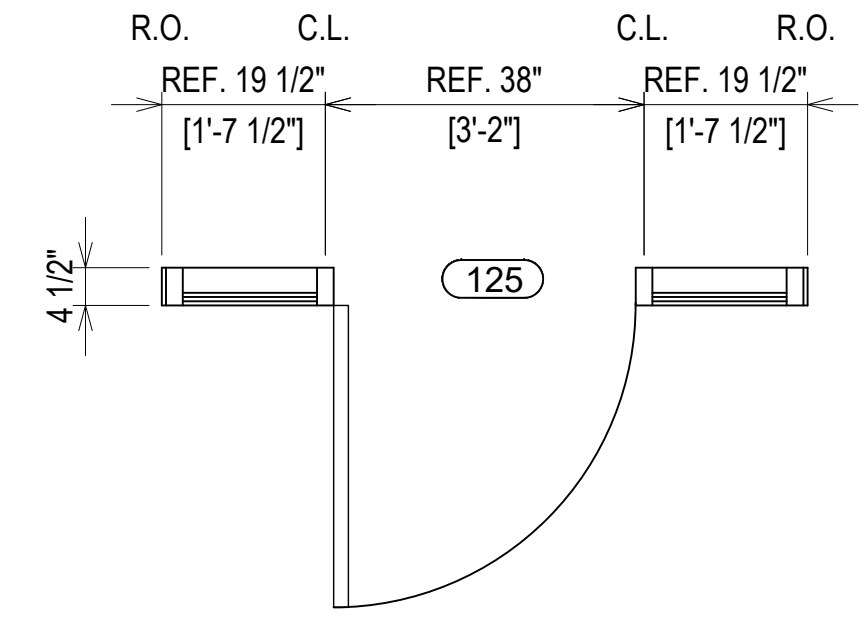
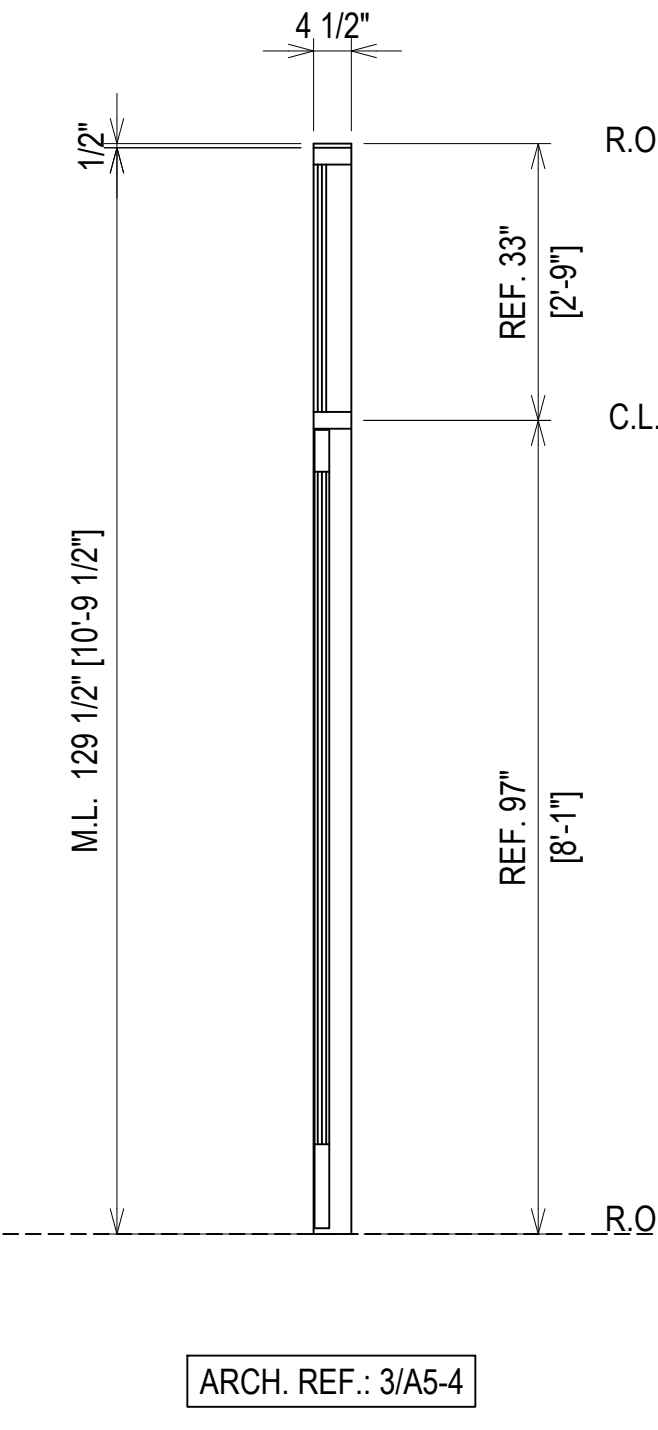
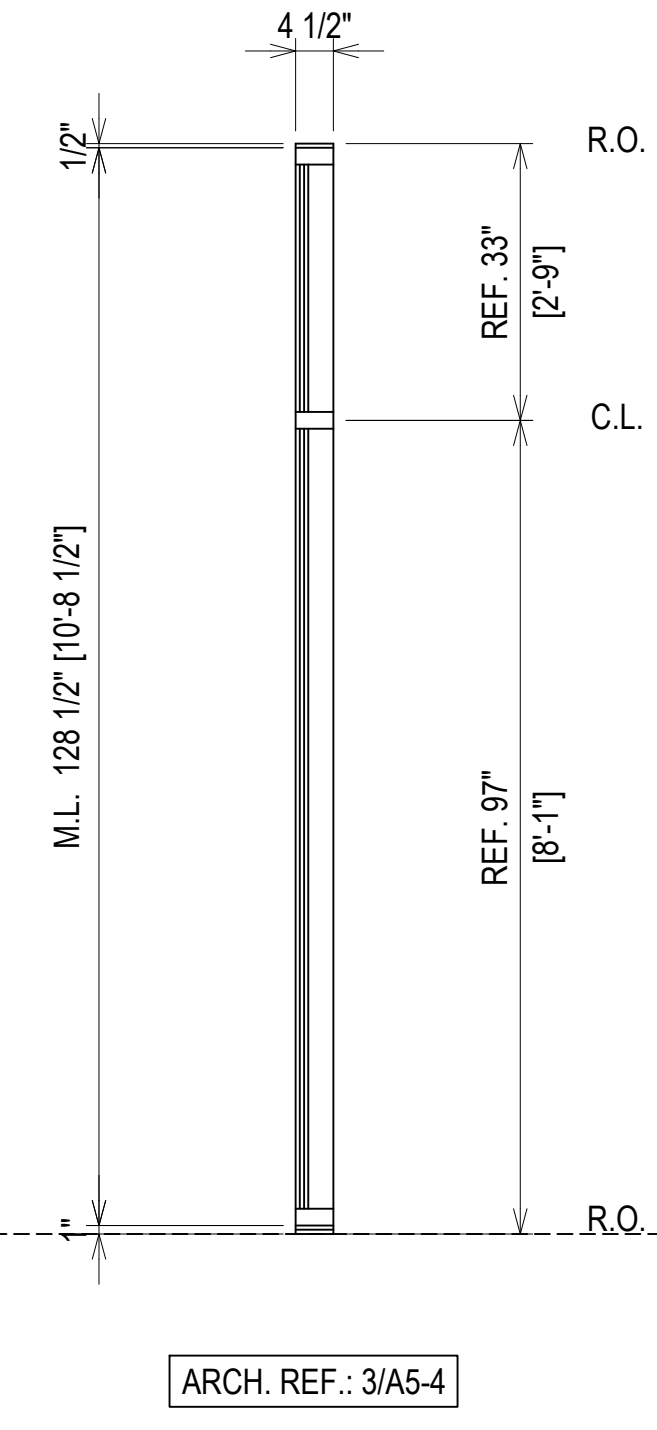
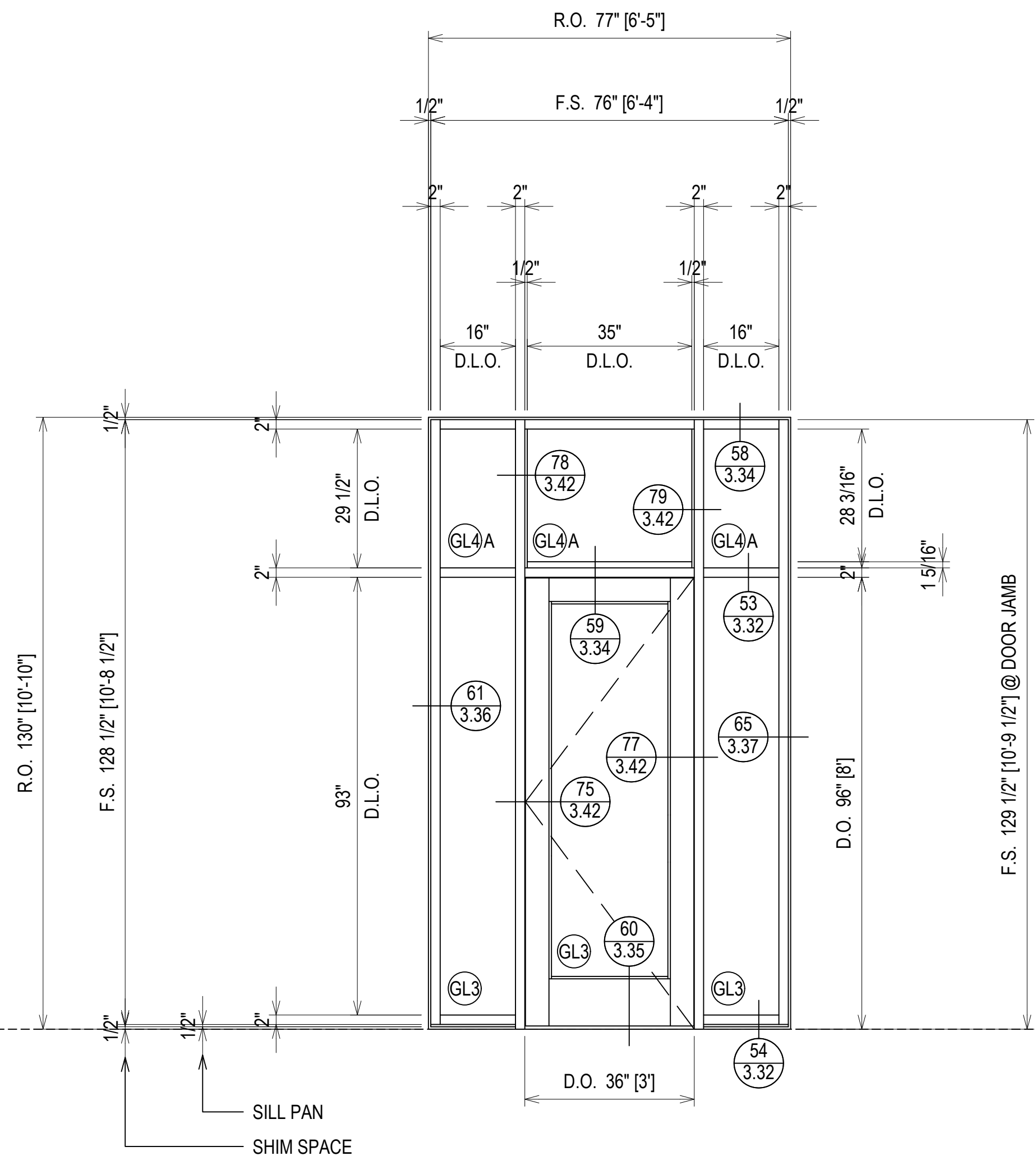
1ST SUBMISSION	7.20.22
1ST REVISION	8.3.22
NO	DATE
DESCRIPTION	DRAWING SUBMISSION

PROJECT: CONVOY OF HOPE  
 GLOBAL HEADQUARTERS  
 AND TRAINING CENTER  
 LOCATION: 7200 W. CARNAHAN STREET  
 SPRINGFIELD, MO 65802

SPRINGFIELD GLASS COMPANY  
 2503 NORTH OAK GROVE AVE.  
 SPRINGFIELD, MO 65803  
 P: 417.883.6555

DRAWN BY:	DATE:
DJ	7.20.22
CHECKED BY:	DATE:
RD	7.20.22

**2.28**



**ELEVATION** SF6  
 SCALE: 1/2" = 1'-0"  
 KAWNEER TRI-FAB 451T - 2" X 4 1/2"  
 EXTERIOR STOREFRONT  
 1" INSULATED GLASS (FRONT SET)  
 QUANTITY: 1

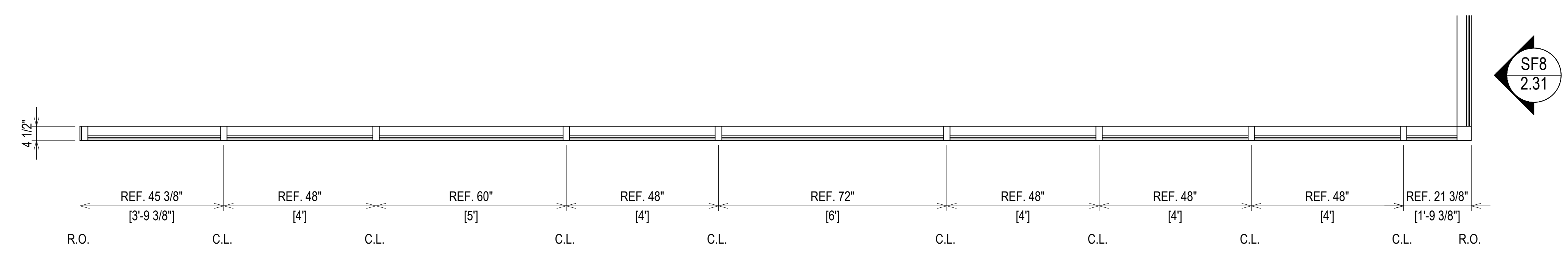
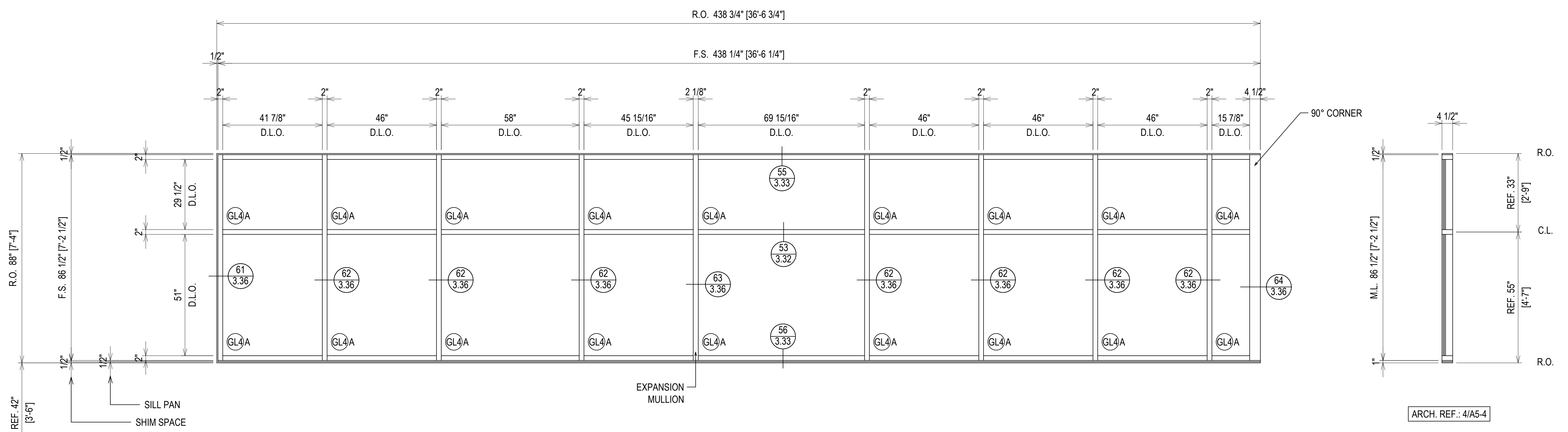
ERECTOR / G.C. NOTE:  
 PLEASE FIELD VERIFY ALL DIMENSIONS

1ST SUBMISSION	7.20.22
1ST REVISION	8.3.22
NO	DESCRIPTION
NO	DATE

PROJECT: CONVOY OF HOPE  
 GLOBAL HEADQUARTERS  
 AND TRAINING CENTER  
 LOCATION: 7200 W. CARNAHAN STREET  
 SPRINGFIELD, MO 65802

DATE: 7.20.22  
 DRAWN BY: DJ  
 CHECKED BY: RD

FIRST FLOOR  
100'-0"



**ELEVATION** SF7  
 SCALE: 1/2" = 1'-0"  
 KAWNEER TRI-FAB 451T - 2" X 4 1/2"  
 EXTERIOR STOREFRONT  
 1" INSULATED GLASS (FRONT SET)  
 QUANTITY: 1

**ERECTOR / G.C. NOTE:**  
 PLEASE FIELD VERIFY ALL DIMENSIONS

1ST SUBMISSION	7.20.22
1ST REVISION	8.3.22
NO	NO
DESCRIPTION	DATE
DRAWING SUBMISSION	

**SPRINGFIELD GLASS COMPANY**  
 2503 NORTH OAK GROVE AVE.  
 SPRINGFIELD, MO 65803  
 P: 417.883.6555

PROJECT: CONVOY OF HOPE  
 GLOBAL HEADQUARTERS  
 AND TRAINING CENTER  
 LOCATION: 7200 W. CARNAHAN STREET  
 SPRINGFIELD, MO 65802

DRAWN BY:	DATE:
DJ	7.20.22
CHECKED BY:	DATE:
RD	7.20.22

**2.30**

1ST SUBMISSION	7.20.22
1ST REVISION	8.3.22
NO	NO
DESCRIPTION	DATE
DRAWING SUBMISSION	

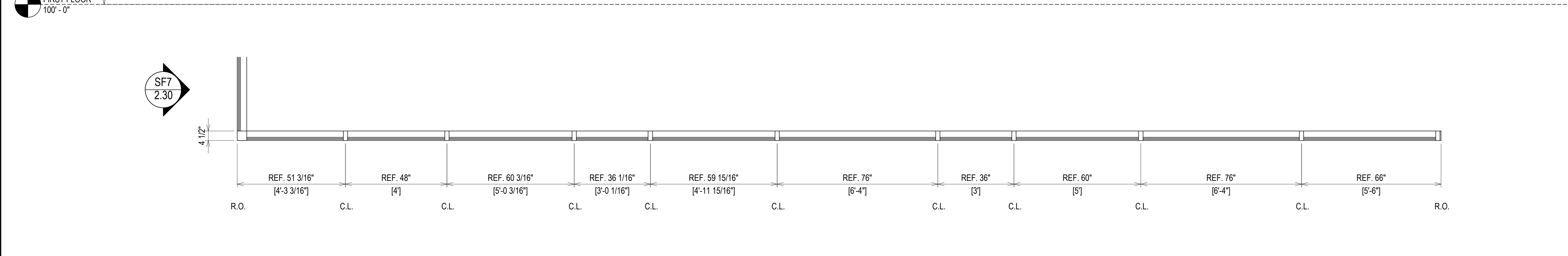
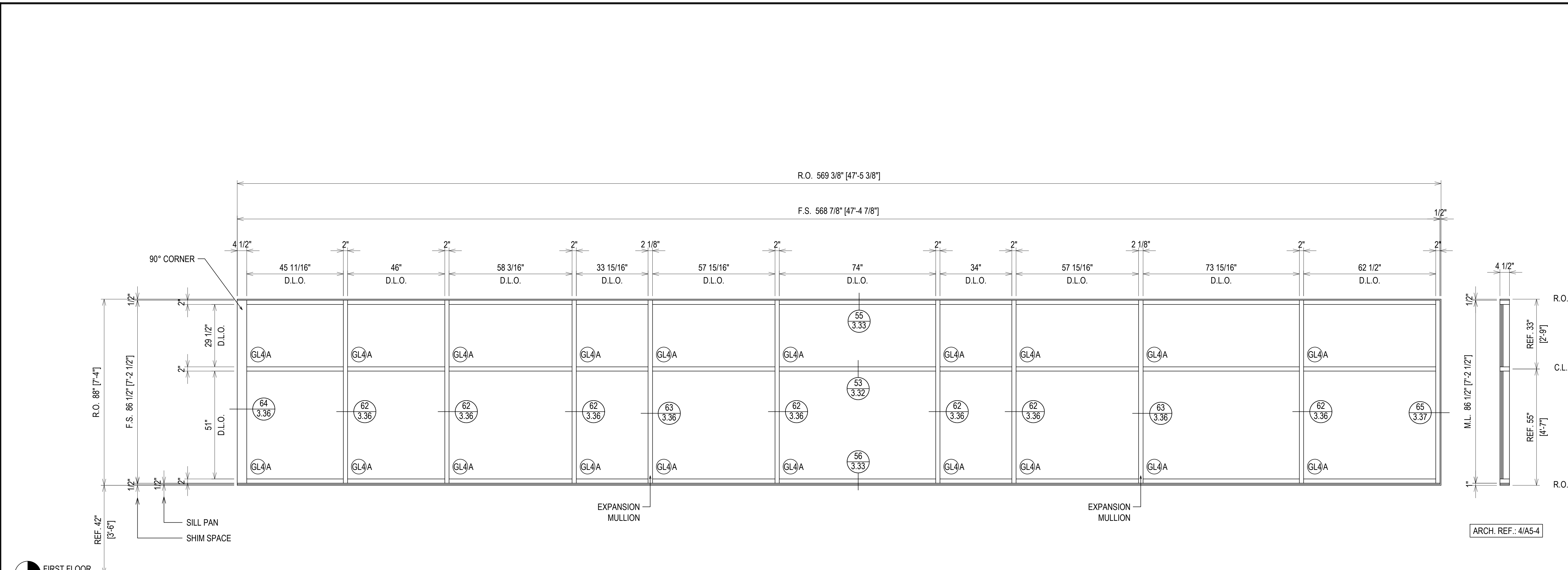
SPRINGFIELD GLASS COMPANY  
 2503 NORTH OAK GROVE AVE.  
 SPRINGFIELD, MO 65803  
 P: 417.883.6555

PROJECT: CONVOY OF HOPE  
 GLOBAL HEADQUARTERS  
 AND TRAINING CENTER

LOCATION: 7200 W. CARNAHAN STREET  
 SPRINGFIELD, MO 65802

DRAWN BY:	DATE:
DJ	7.20.22
CHECKED BY:	DATE:
RD	7.20.22

**2.31**

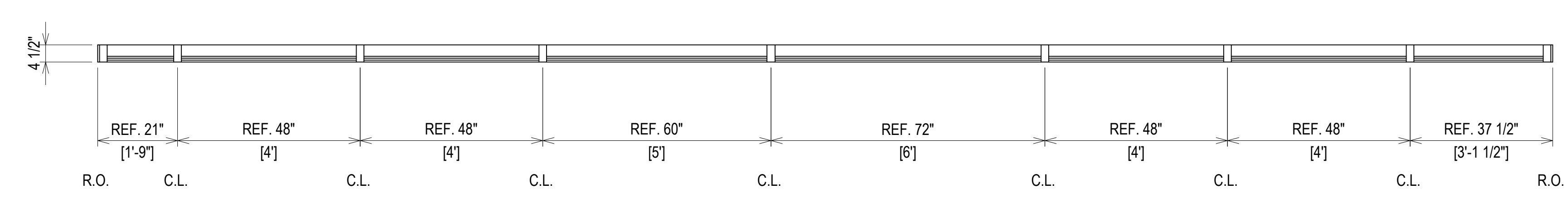
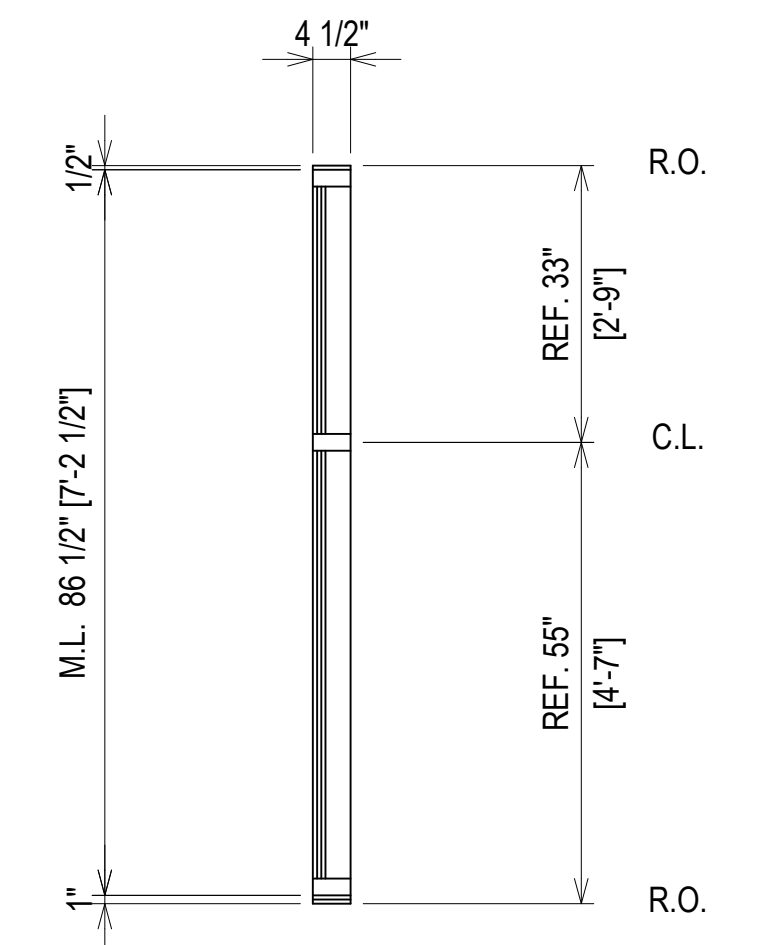
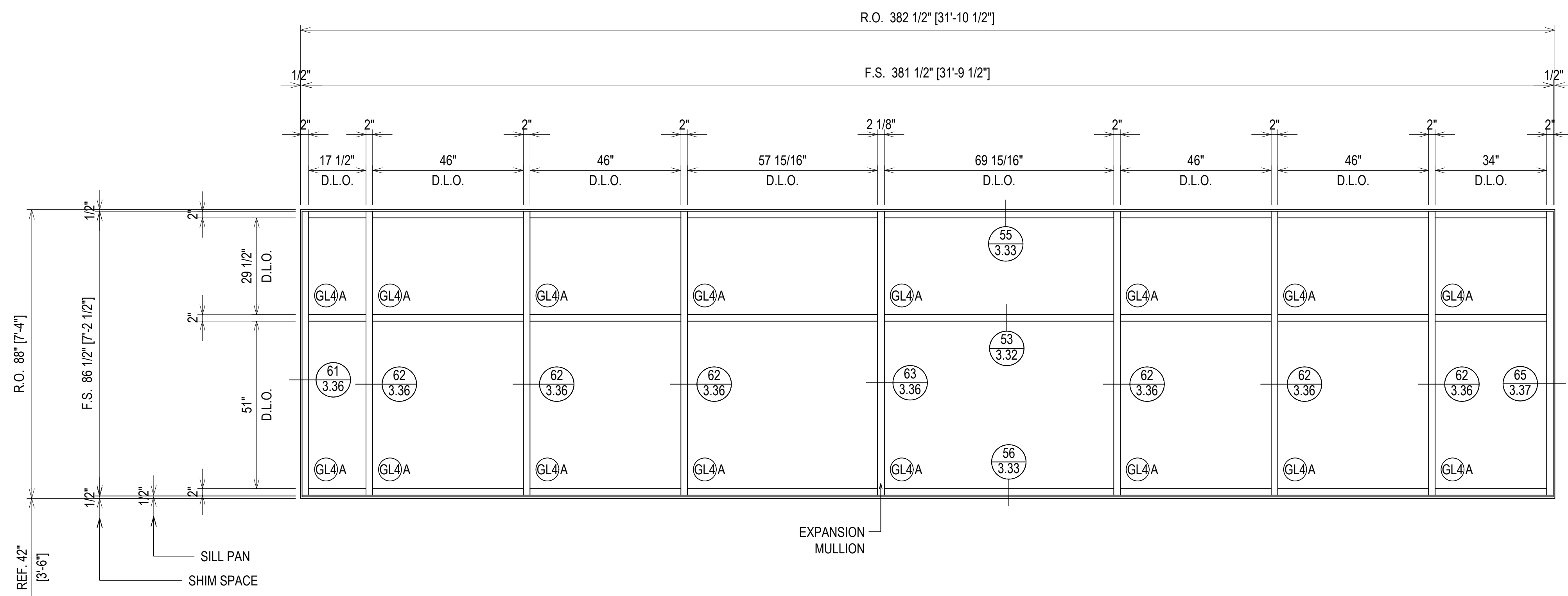


FIRST FLOOR  
 100'-0"

SF7  
 2.30

ELEVATION SF8  
 SCALE: 1/2" = 1'-0"  
 KAWNEER TRI-FAB 451T - 2" X 4 1/2"  
 EXTERIOR STOREFRONT  
 1" INSULATED GLASS (FRONT SET)  
 QUANTITY: 1

ERECTOR / G.C. NOTE:  
 PLEASE FIELD VERIFY ALL DIMENSIONS



**ELEVATION** SF9  
 SCALE: 1/2" = 1'-0"  
 KAWNEER TRI-FAB 451T - 2" X 4 1/2"  
 EXTERIOR STOREFRONT  
 1" INSULATED GLASS (FRONT SET)  
 QUANTITY: 1

FIRST FLOOR  
 100' - 0"

1ST SUBMISSION	7.20.22
1ST REVISION	8.3.22
NO	DATE
NO	DESCRIPTION
DRAWING SUBMISSION	

SPRINGFIELD GLASS COMPANY  
 2503 NORTH OAK GROVE AVE.  
 SPRINGFIELD, MO 65803  
 P: 417.883.6555

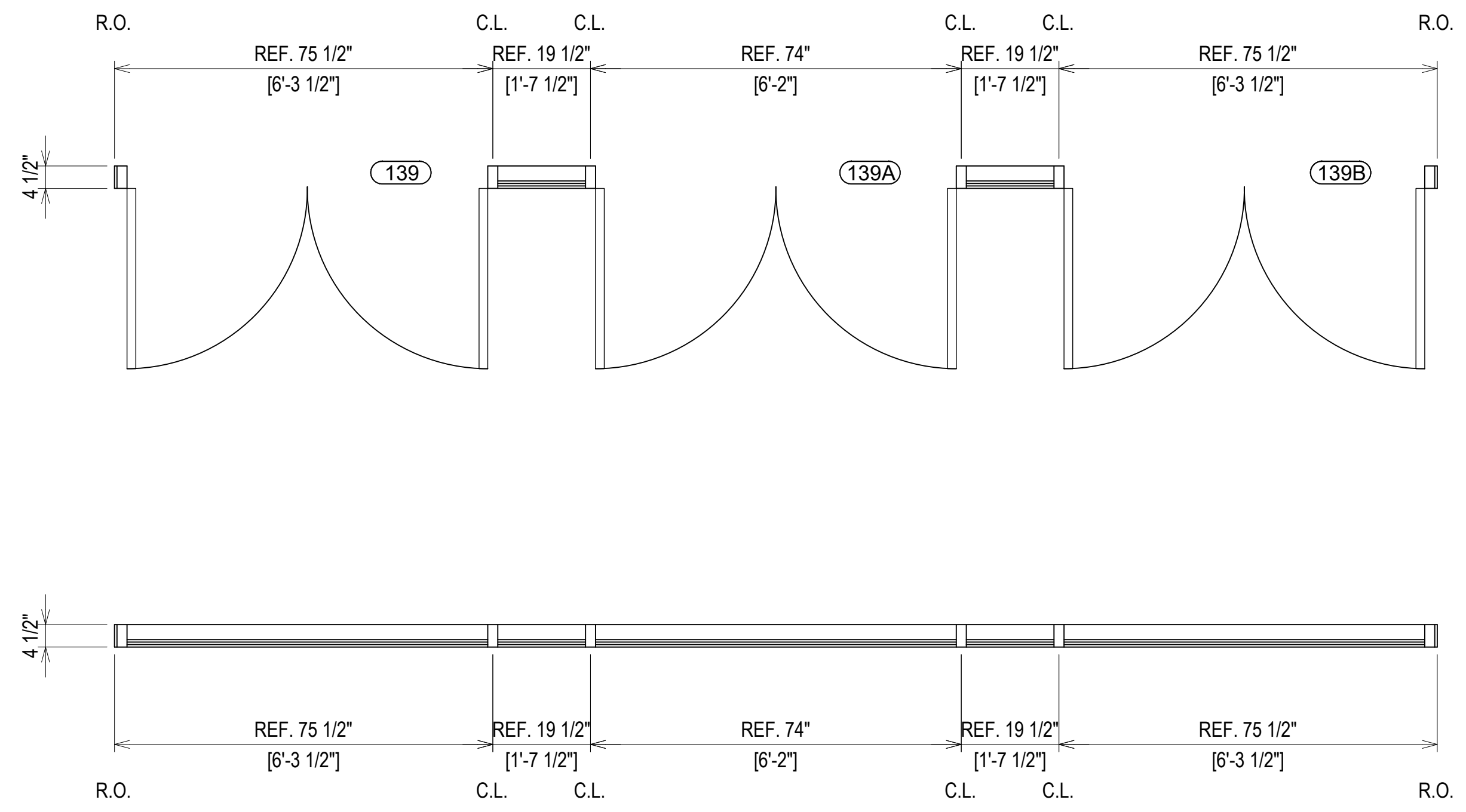
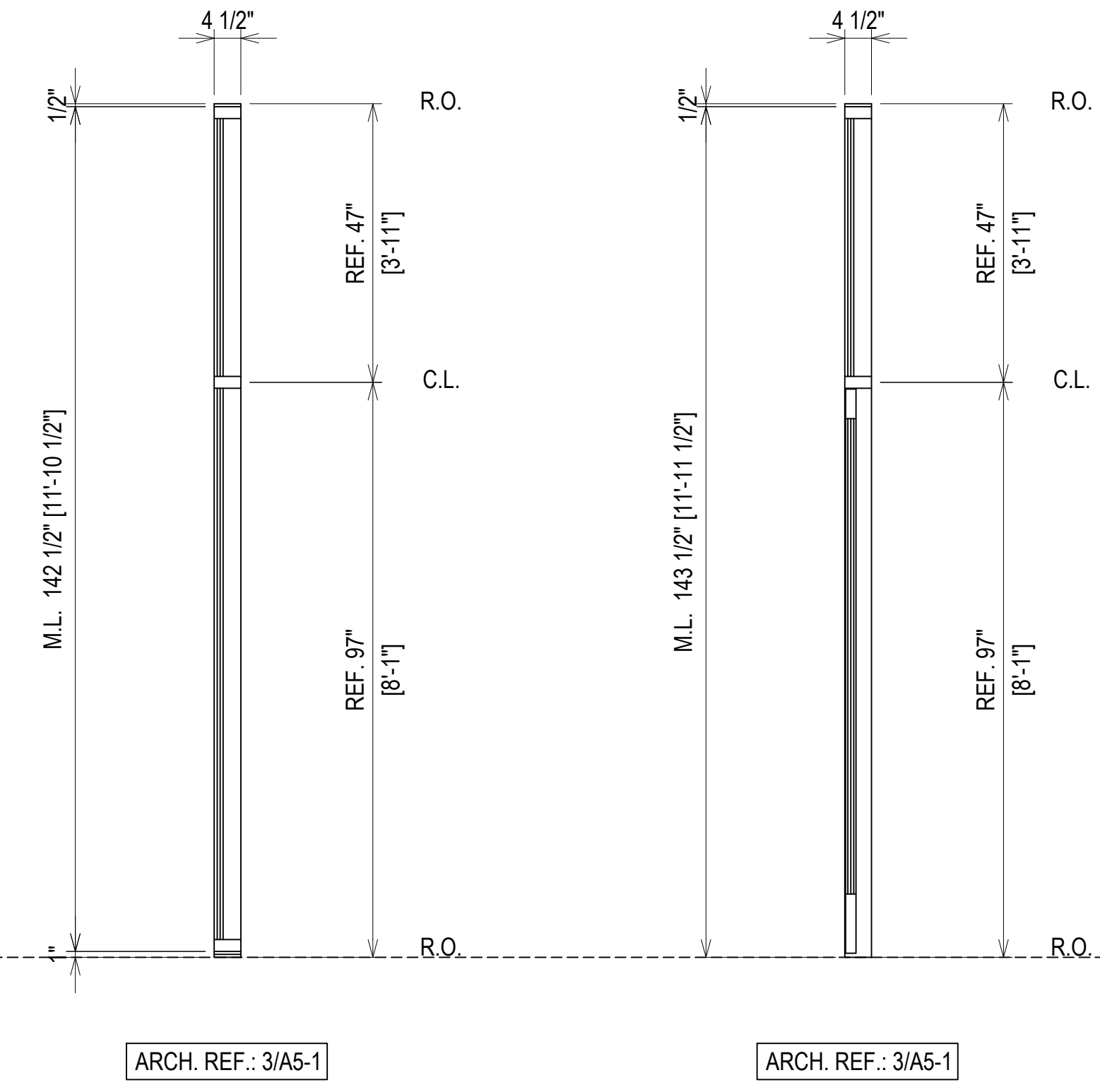
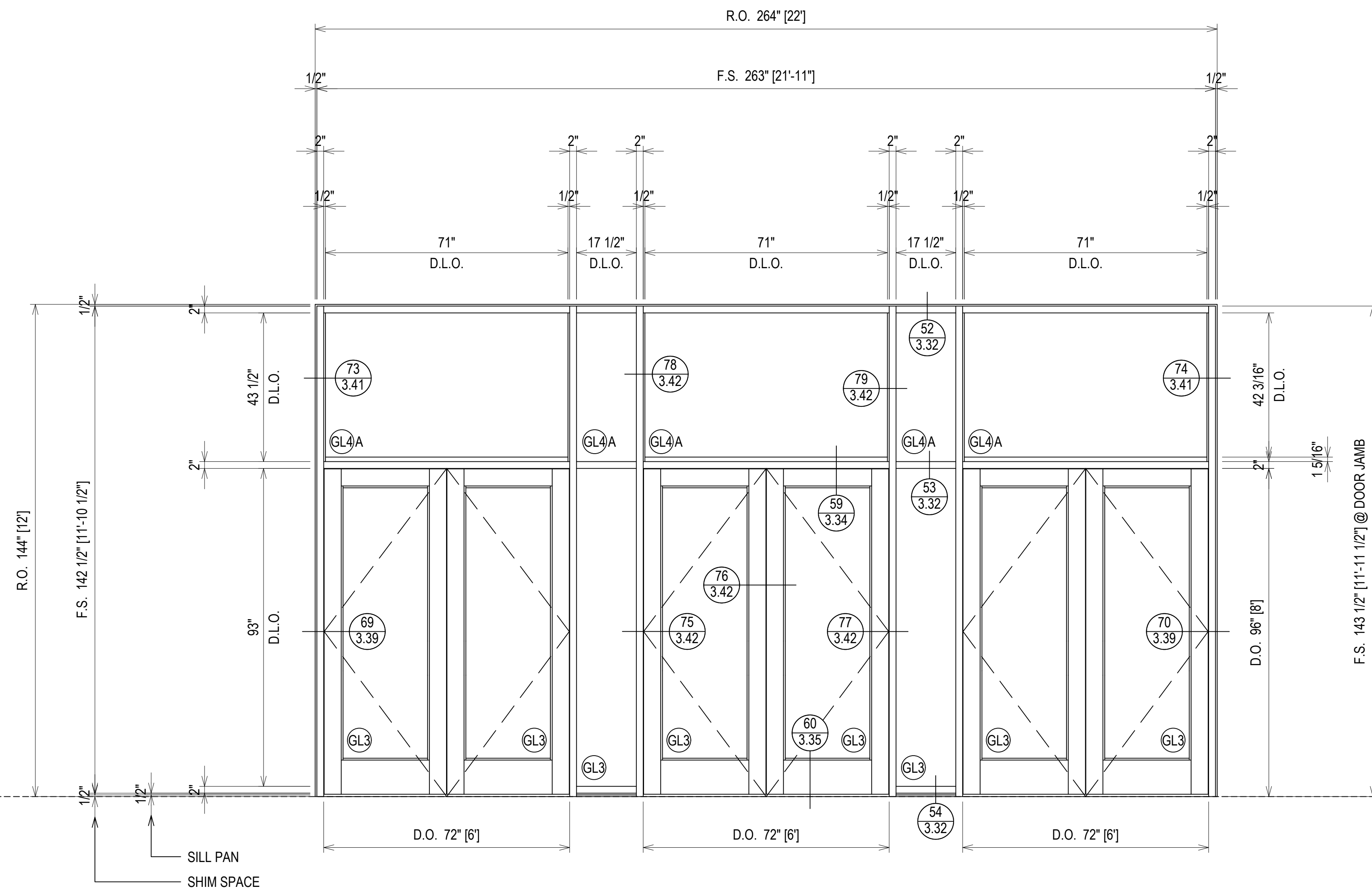
PROJECT: CONVOY OF HOPE  
 GLOBAL HEADQUARTERS  
 AND TRAINING CENTER  
 LOCATION: 7200 W. CARNAHAN STREET  
 SPRINGFIELD, MO 65802

DRAWN BY:	DATE:
DJ	7.20.22
CHECKED BY:	DATE:
RD	7.20.22

ERECTOR / G.C. NOTE:  
 PLEASE FIELD VERIFY ALL DIMENSIONS



FIRST FLOOR  
100'-0"

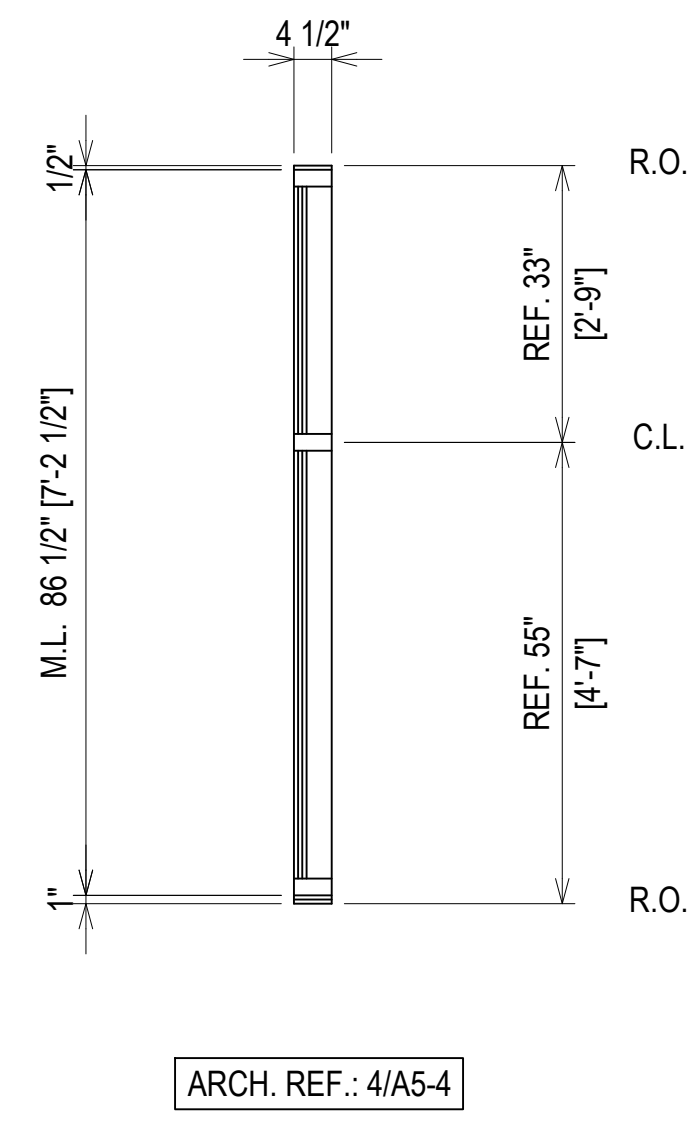


**ELEVATION** SF10  
 SCALE: 1/2" = 1'-0"  
 KAWNEER TRI-FAB 451T - 2" X 4 1/2"  
 EXTERIOR STOREFRONT  
 1" INSULATED GLASS (FRONT SET)  
 QUANTITY: 1

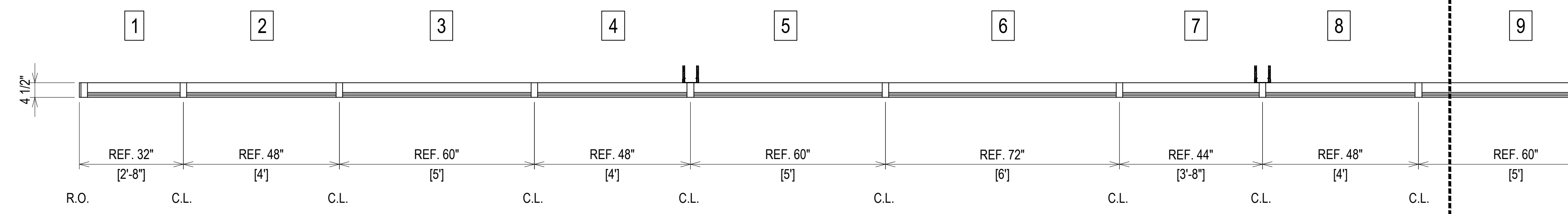
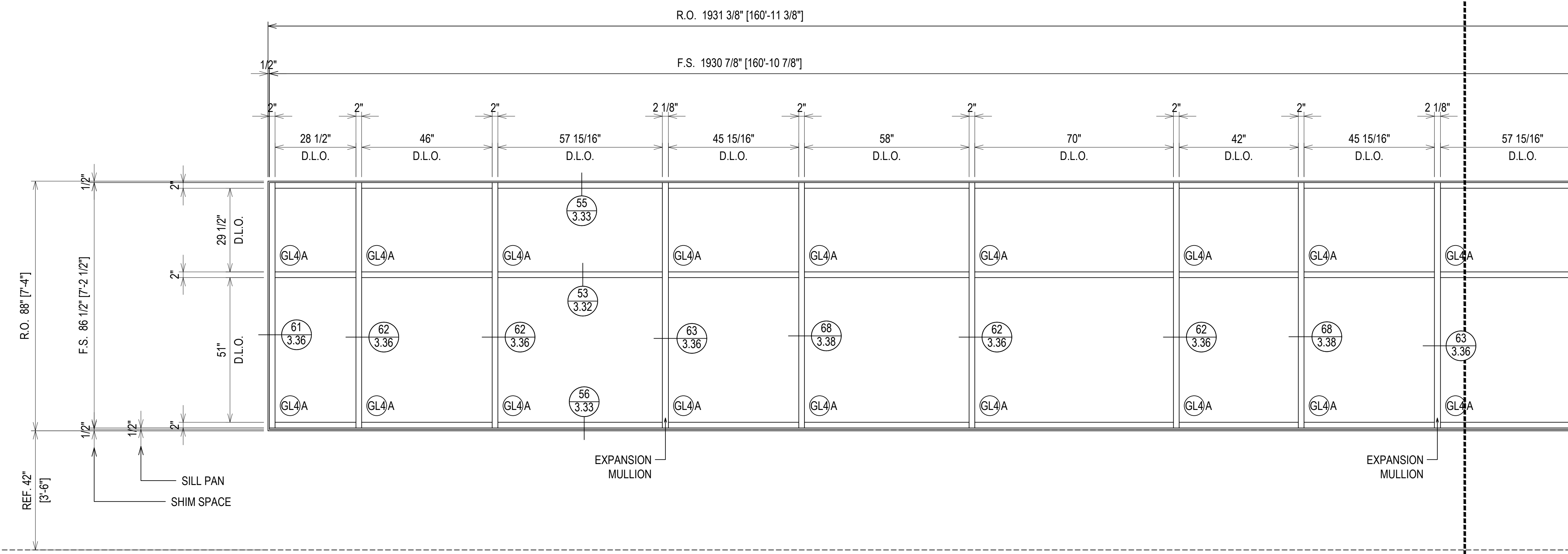
ERECTOR / G.C. NOTE:  
 PLEASE FIELD VERIFY ALL DIMENSIONS

PROJECT:	CONVOY OF HOPE GLOBAL HEADQUARTERS AND TRAINING CENTER	LOCATION:	7200 W. CARNAHAN STREET SPRINGFIELD, MO 65802
DATE:	7.20.22	DATE:	7.20.22
CHECKED BY:	RD	CHECKED BY:	RD
DRAWN BY:	DJ	DRAWN BY:	DJ
1ST SUBMISSION	7.20.22	1ST SUBMISSION	7.20.22
1ST REVISION	8.3.22	1ST REVISION	8.3.22
NO		NO	
DESCRIPTION		DESCRIPTION	
DRAWING SUBMISSION		DRAWING SUBMISSION	

SPRINGFIELD GLASS COMPANY  
 2503 NORTH OAK GROVE AVE.  
 SPRINGFIELD, MO 65803  
 P: 417.883.6555



ARCH. REF.: 4/A5-4



**ELEVATION** (SF11)  
 SCALE: 1/2" = 1'-0"  
 KAWNEER TRI-FAB 451T - 2" X 4 1/2"  
 EXTERIOR STOREFRONT  
 1" INSULATED GLASS (FRONT SET)  
 QUANTITY: 1



ERECTOR / G.C. NOTE:  
 PLEASE FIELD VERIFY ALL DIMENSIONS

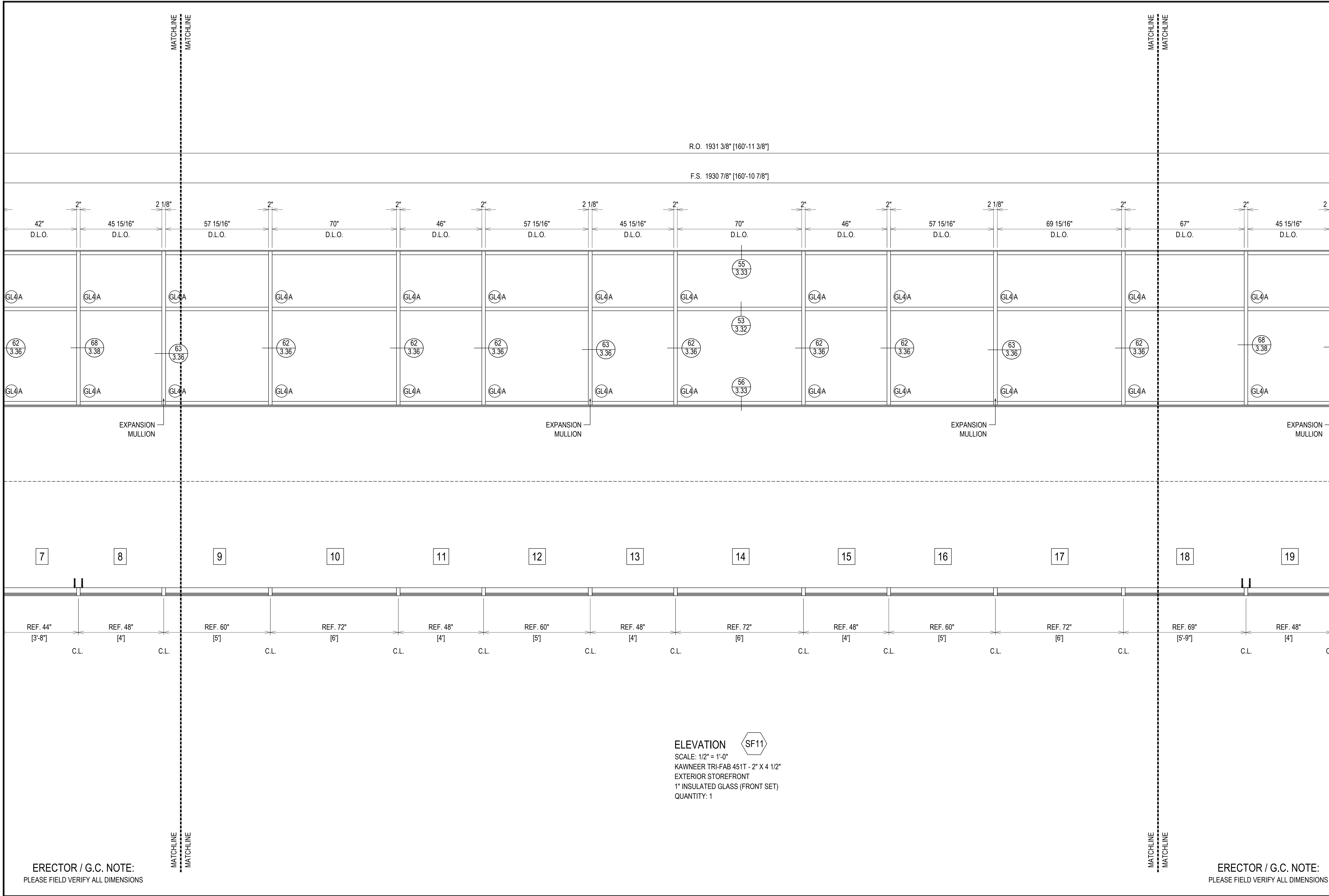
ERECTOR / G.C. NOTE:  
 PLEASE FIELD VERIFY ALL DIMENSIONS

1ST SUBMISSION	7.20.22
1ST REVISION	8.3.22
NO	DATE
NO	DESCRIPTION
NO	DRAWING SUBMISSION

PROJECT: CONVOY OF HOPE  
 GLOBAL HEADQUARTERS  
 AND TRAINING CENTER  
 LOCATION: 7200 W. CARNAHAN STREET  
 SPRINGFIELD, MO 65802

SPRINGFIELD GLASS COMPANY  
 2503 NORTH OAK GROVE AVE.  
 SPRINGFIELD, MO 65803  
 P: 417.883.6555

DRAWN BY:	DATE:
DJ	7.20.22
CHECKED BY:	DATE:
RD	7.20.22



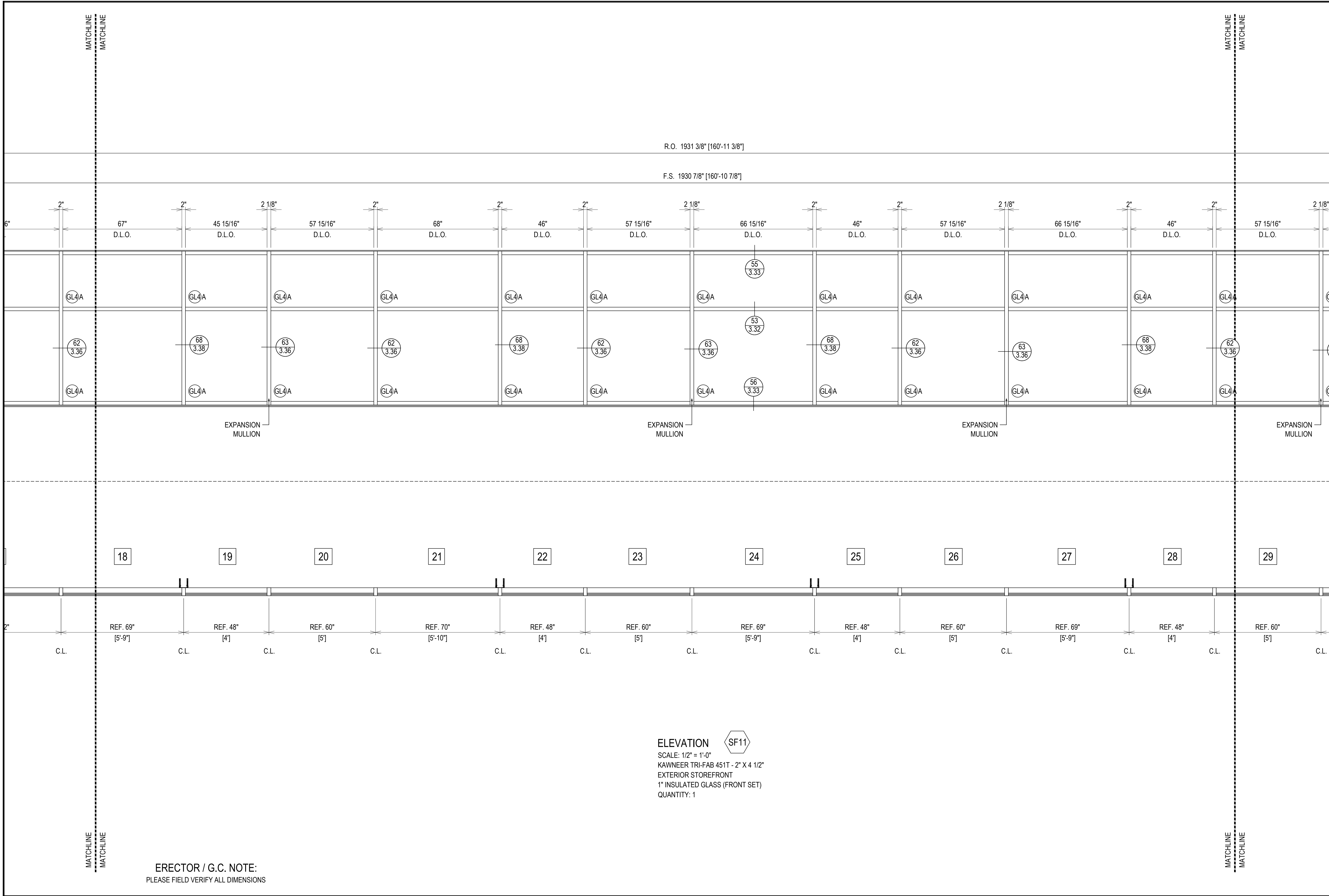
ERECTOR / G.C. NOTE:  
PLEASE FIELD VERIFY ALL DIMENSIONS

ERECTOR / G.C. NOTE:  
PLEASE FIELD VERIFY ALL DIMENSIONS

1ST SUBMISSION	7.20.22
1ST REVISION	8.3.22
NO	DATE
DESCRIPTION	DRAWING SUBMISSION

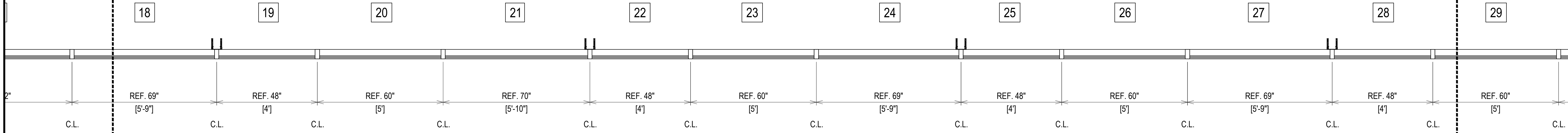
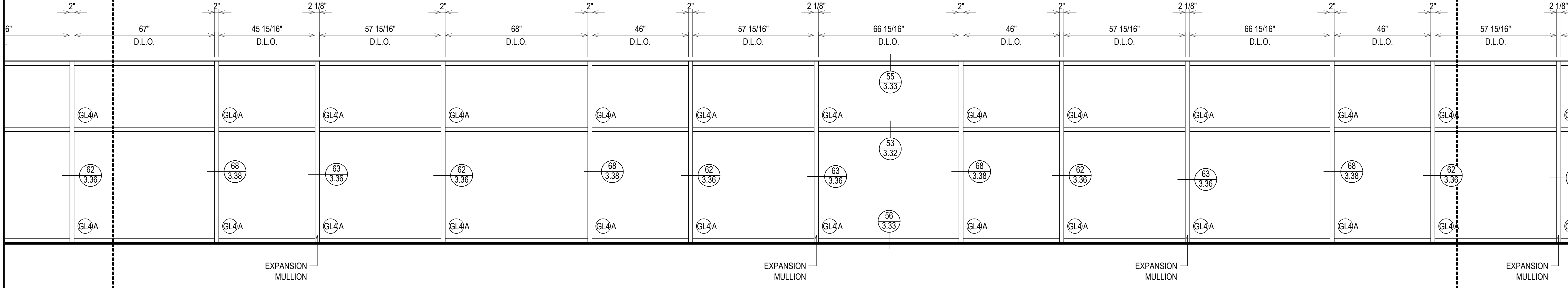
**SPRINGFIELD GLASS COMPANY**  
 2503 NORTH OAK GROVE AVE.  
 SPRINGFIELD, MO 65803  
 P: 417.883.6555

PROJECT:	CONVOY OF HOPE GLOBAL HEADQUARTERS AND TRAINING CENTER
LOCATION:	7200 W. CARNAHAN STREET SPRINGFIELD, MO 65802
DRAWN BY:	DJ
DATE:	7.20.22
CHECKED BY:	RD
DATE:	7.20.22



R.O. 1931 3/8" [160'-11 3/8"]

F.S. 1930 7/8" [160'-10 7/8"]



**ELEVATION** SF11  
 SCALE: 1/2" = 1'-0"  
 KAWNEER TRI-FAB 451T - 2" X 4 1/2"  
 EXTERIOR STOREFRONT  
 1" INSULATED GLASS (FRONT SET)  
 QUANTITY: 1

**ERECTOR / G.C. NOTE:**  
 PLEASE FIELD VERIFY ALL DIMENSIONS

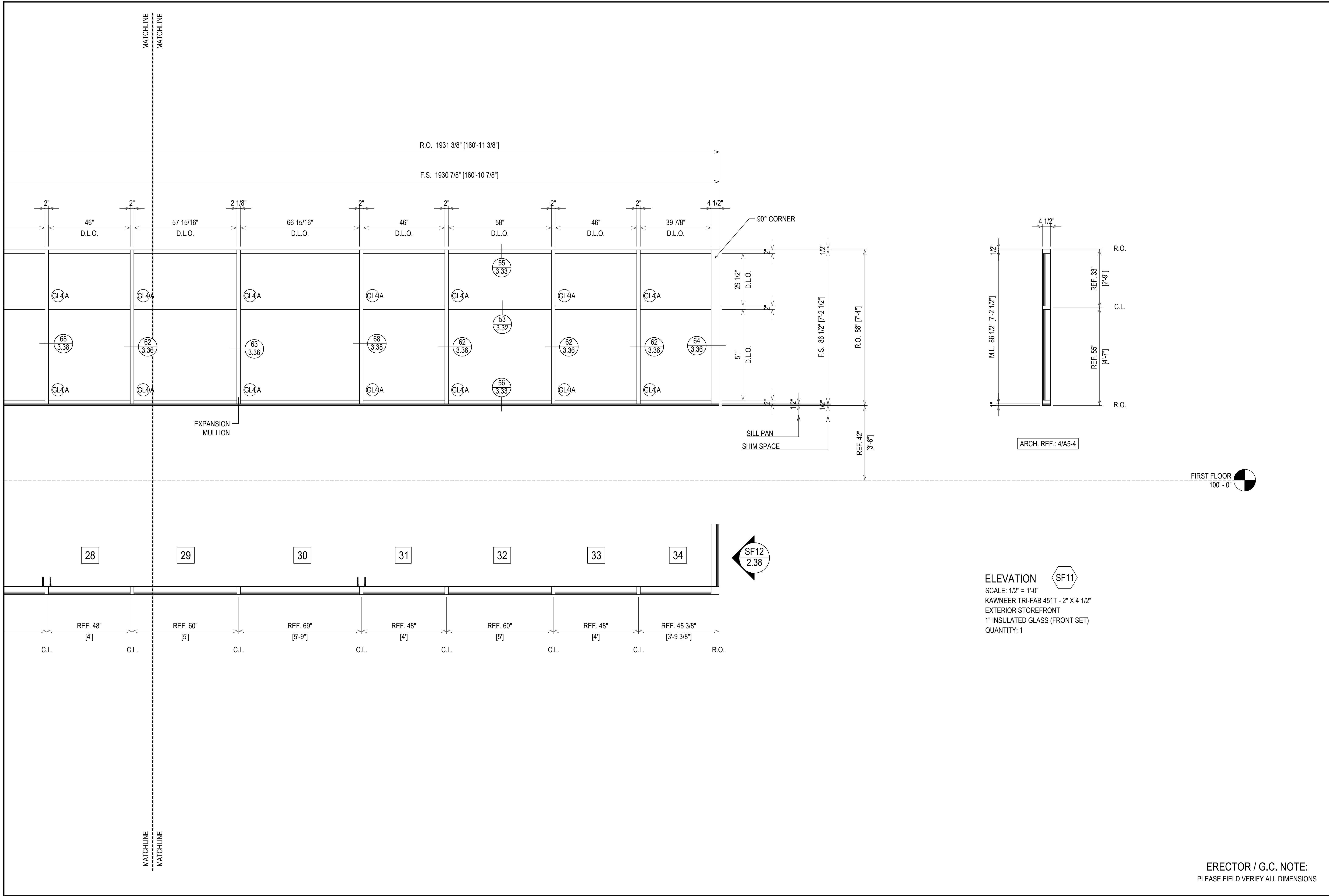
1ST SUBMISSION	7.20.22
1ST REVISION	8.3.22
NO	DATE
DESCRIPTION	DRAWING SUBMISSION

**SPRINGFIELD GLASS COMPANY**  
 2503 NORTH OAK GROVE AVE.  
 SPRINGFIELD, MO 65803  
 P: 417.883.6555

**PROJECT:** CONVOY OF HOPE  
 GLOBAL HEADQUARTERS  
 AND TRAINING CENTER  
**LOCATION:** 7200 W. CARNAHAN STREET  
 SPRINGFIELD, MO 65802

<b>DRAWN BY:</b> DJ	<b>DATE:</b> 7.20.22
<b>CHECKED BY:</b> RD	<b>DATE:</b> 7.20.22

**2.36**



**ELEVATION** SF11  
 SCALE: 1/2" = 1'-0"  
 KAWNEER TRI-FAB 451T - 2" X 4 1/2"  
 EXTERIOR STOREFRONT  
 1" INSULATED GLASS (FRONT SET)  
 QUANTITY: 1

FIRST FLOOR  
 100'-0"

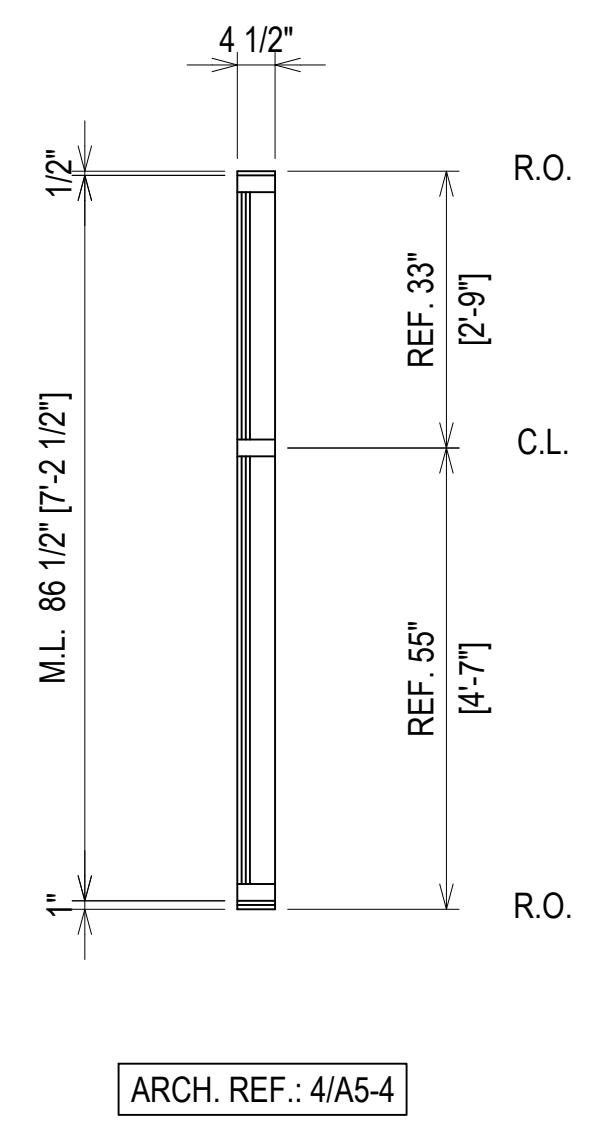
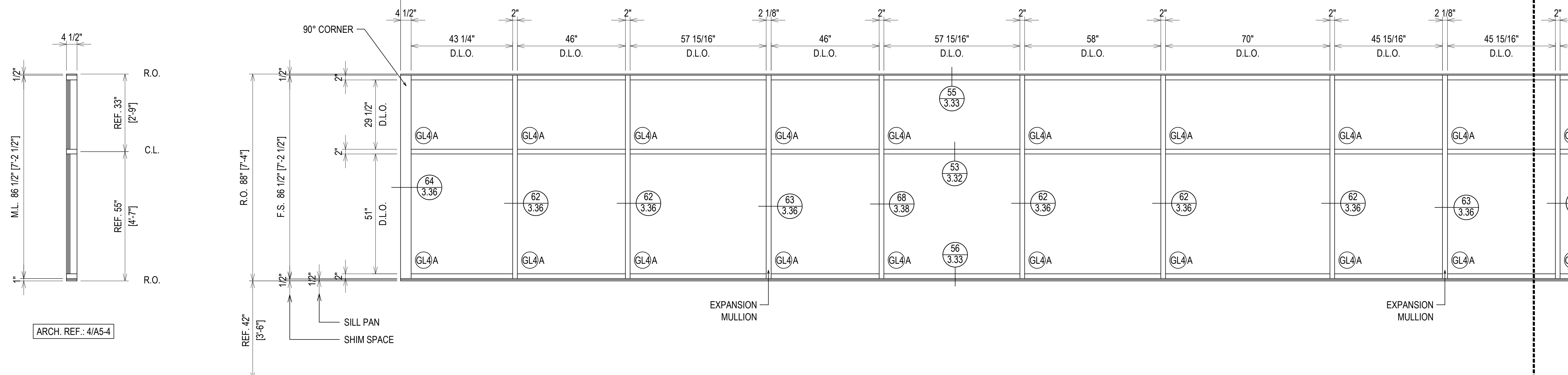
1ST SUBMISSION	7.20.22
1ST REVISION	8.3.22
NO	DATE
NO	DESCRIPTION
NO	DRAWING SUBMISSION

SPRINGFIELD GLASS COMPANY  
 2503 NORTH OAK GROVE AVE.  
 SPRINGFIELD, MO 65803  
 P: 417.883.6555

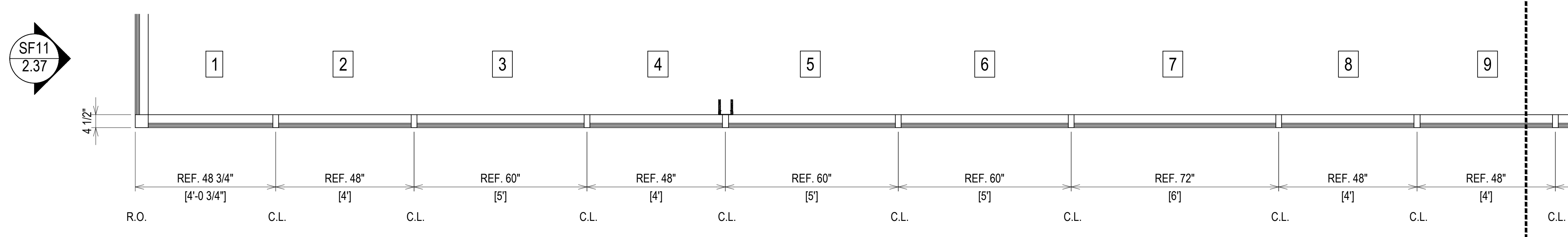
PROJECT: CONVOY OF HOPE  
 GLOBAL HEADQUARTERS  
 AND TRAINING CENTER  
 LOCATION: 7200 W. CARNAHAN STREET  
 SPRINGFIELD, MO 65802

DRAWN BY:	DATE:
DJ	7.20.22
CHECKED BY:	DATE:
RD	7.20.22

ERECTOR / G.C. NOTE:  
 PLEASE FIELD VERIFY ALL DIMENSIONS



**ELEVATION** SF12  
 SCALE: 1/2" = 1'-0"  
 KAWNEER TRI-FAB 451T - 2" X 4 1/2"  
 EXTERIOR STOREFRONT  
 1" INSULATED GLASS (FRONT SET)  
 QUANTITY: 1



ERECTOR / G.C. NOTE:  
 PLEASE FIELD VERIFY ALL DIMENSIONS

1ST SUBMISSION	7.20.22
1ST REVISION	8.3.22
NO	DATE
NO	DESCRIPTION
NO	DRAWING SUBMISSION

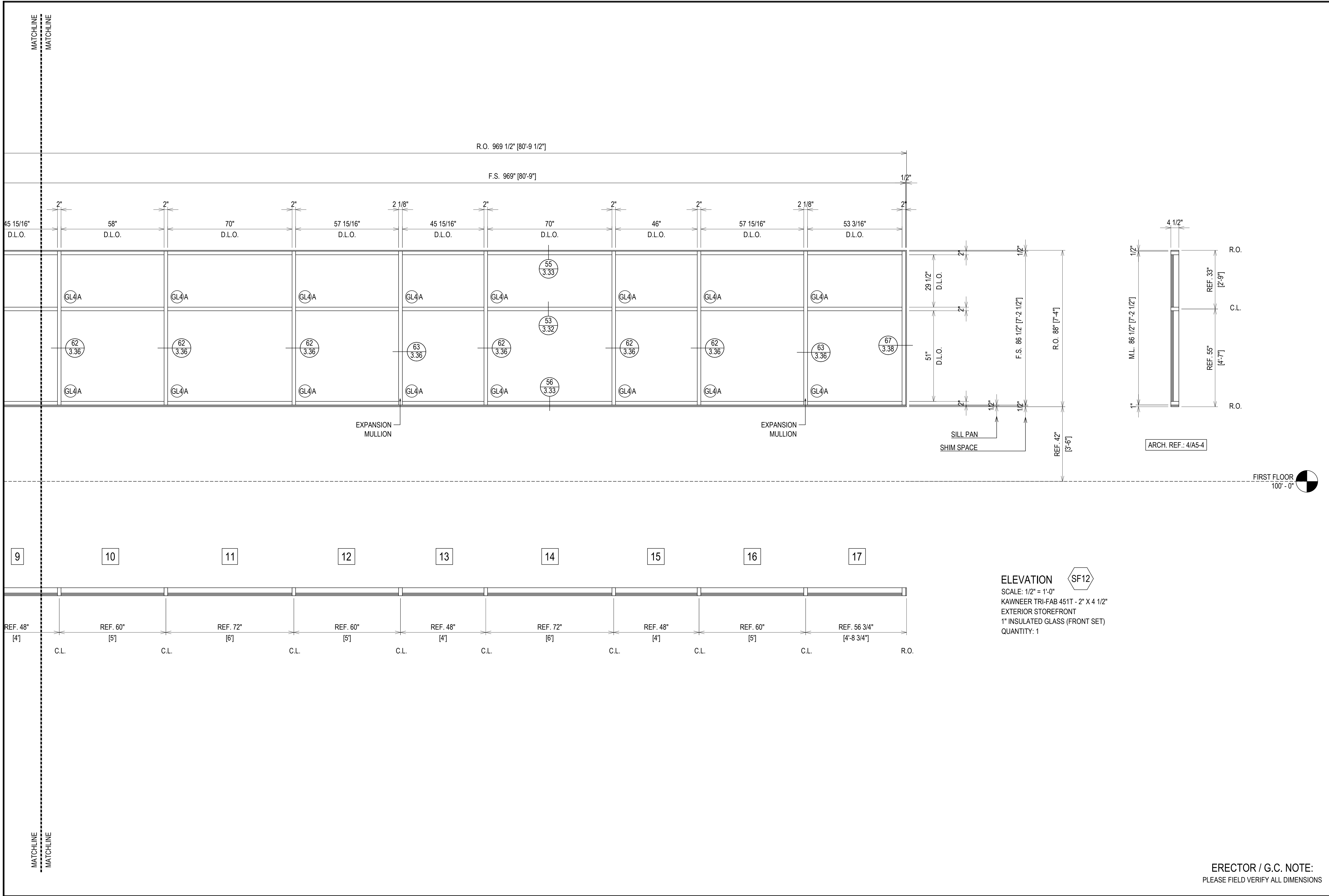
PROJECT: CONVOY OF HOPE  
 GLOBAL HEADQUARTERS  
 AND TRAINING CENTER  
 LOCATION: 7200 W. CARNAHAN STREET  
 SPRINGFIELD, MO 65802

SPRINGFIELD GLASS COMPANY  
 2503 NORTH OAK GROVE AVE.  
 SPRINGFIELD, MO 65803  
 P: 417.883.6555

PROJECT: CONVOY OF HOPE  
 GLOBAL HEADQUARTERS  
 AND TRAINING CENTER  
 LOCATION: 7200 W. CARNAHAN STREET  
 SPRINGFIELD, MO 65802

DRAWN BY:	DATE:
DJ	7.20.22
CHECKED BY:	DATE:
RD	7.20.22

**2.38**



1ST SUBMISSION	7.20.22
1ST REVISION	8.3.22
NO	DATE
NO	DESCRIPTION
NO	DRAWING SUBMISSION

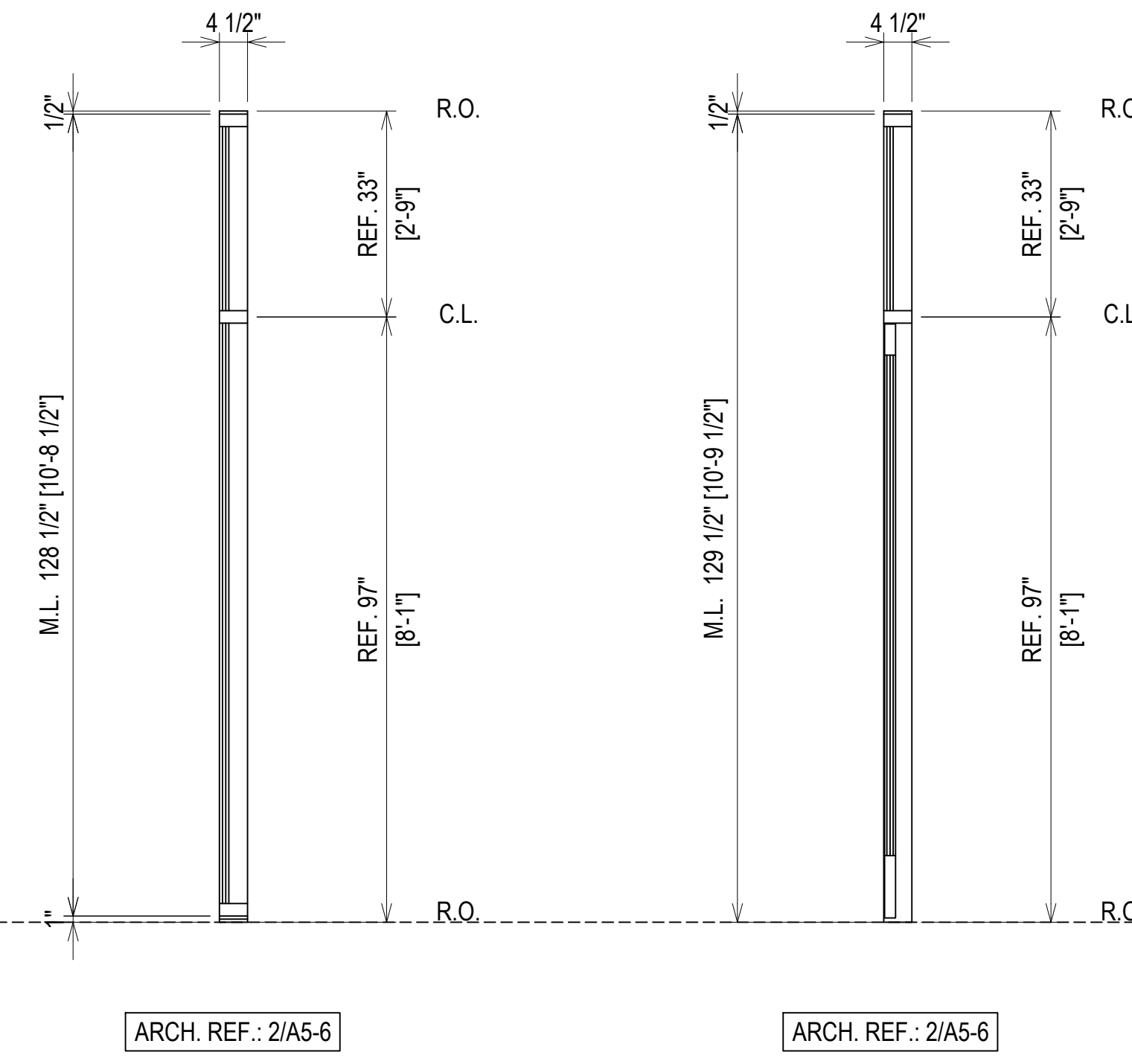
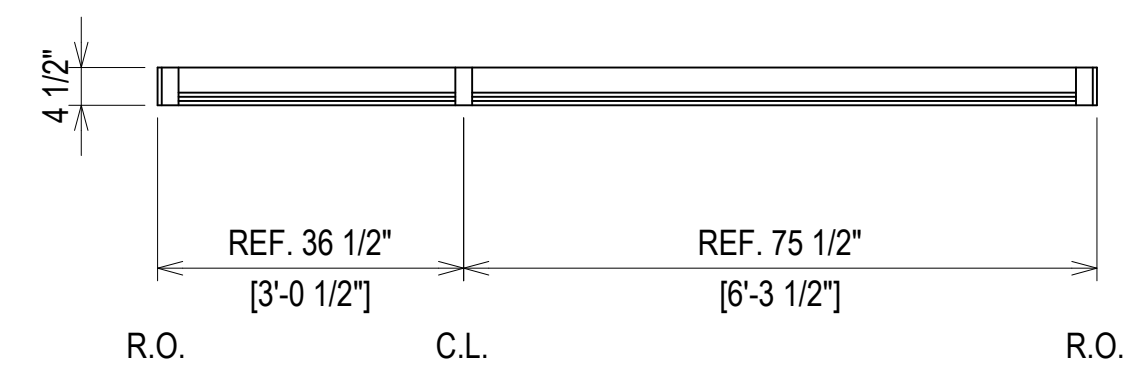
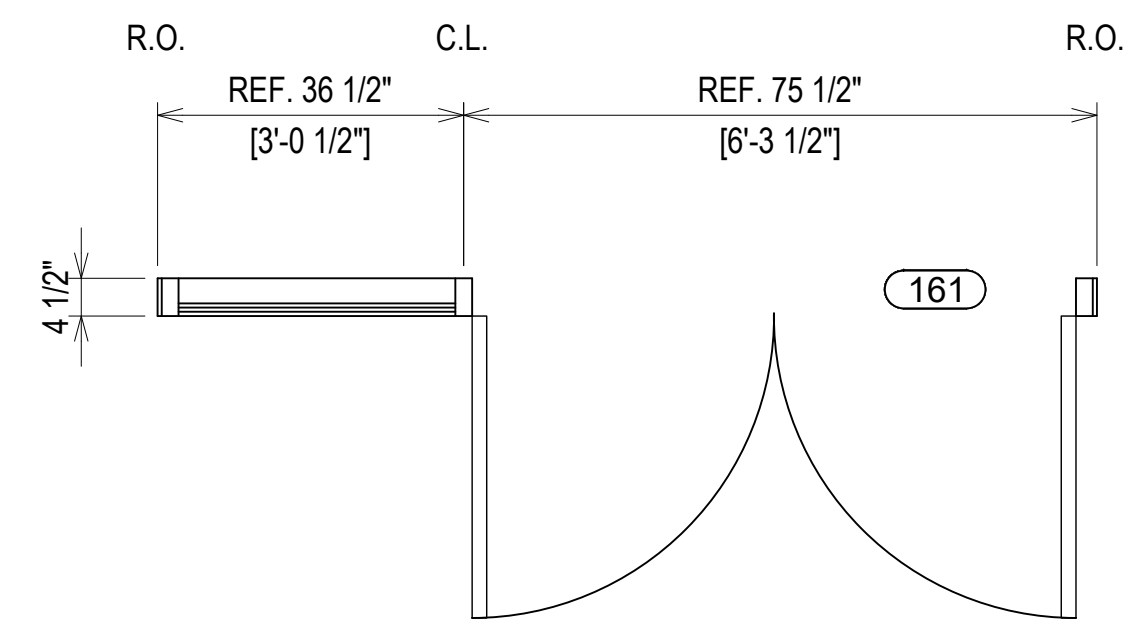
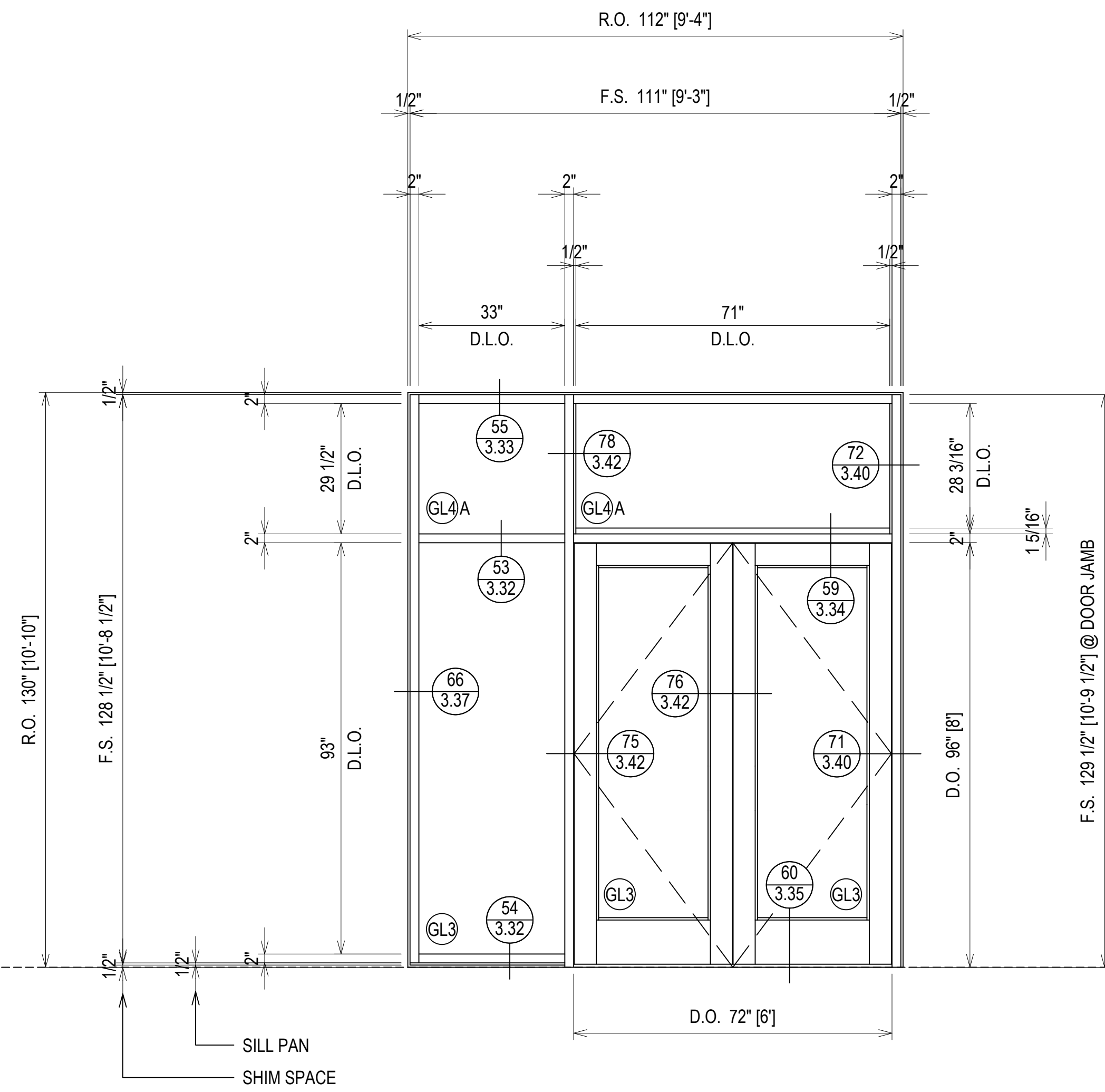
SPRINGFIELD GLASS COMPANY  
 2503 NORTH OAK GROVE AVE.  
 SPRINGFIELD, MO 65803  
 P: 417.883.6555

PROJECT: CONVOY OF HOPE  
 GLOBAL HEADQUARTERS  
 AND TRAINING CENTER  
 LOCATION: 7200 W. CARNAHAN STREET  
 SPRINGFIELD, MO 65802

DRAWN BY:	DATE:
DJ	7.20.22
CHECKED BY:	DATE:
RD	7.20.22

ERECTOR / G.C. NOTE:  
 PLEASE FIELD VERIFY ALL DIMENSIONS

FIRST FLOOR  
100'-0"



**ELEVATION** SF13  
 SCALE: 1/2" = 1'-0"  
 KAWNEER TRI-FAB 451T - 2" X 4 1/2"  
 EXTERIOR STOREFRONT  
 1" INSULATED GLASS (FRONT SET)  
 QUANTITY: 1

ERECTOR / G.C. NOTE:  
PLEASE FIELD VERIFY ALL DIMENSIONS

1ST SUBMISSION	7.20.22
1ST REVISION	8.3.22
NO	DESCRIPTION
NO	DATE

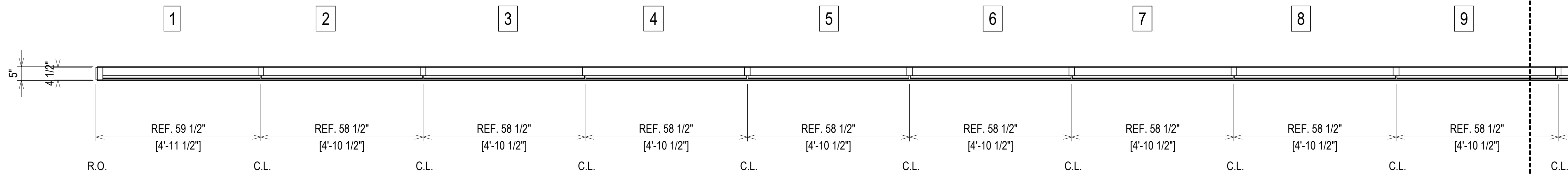
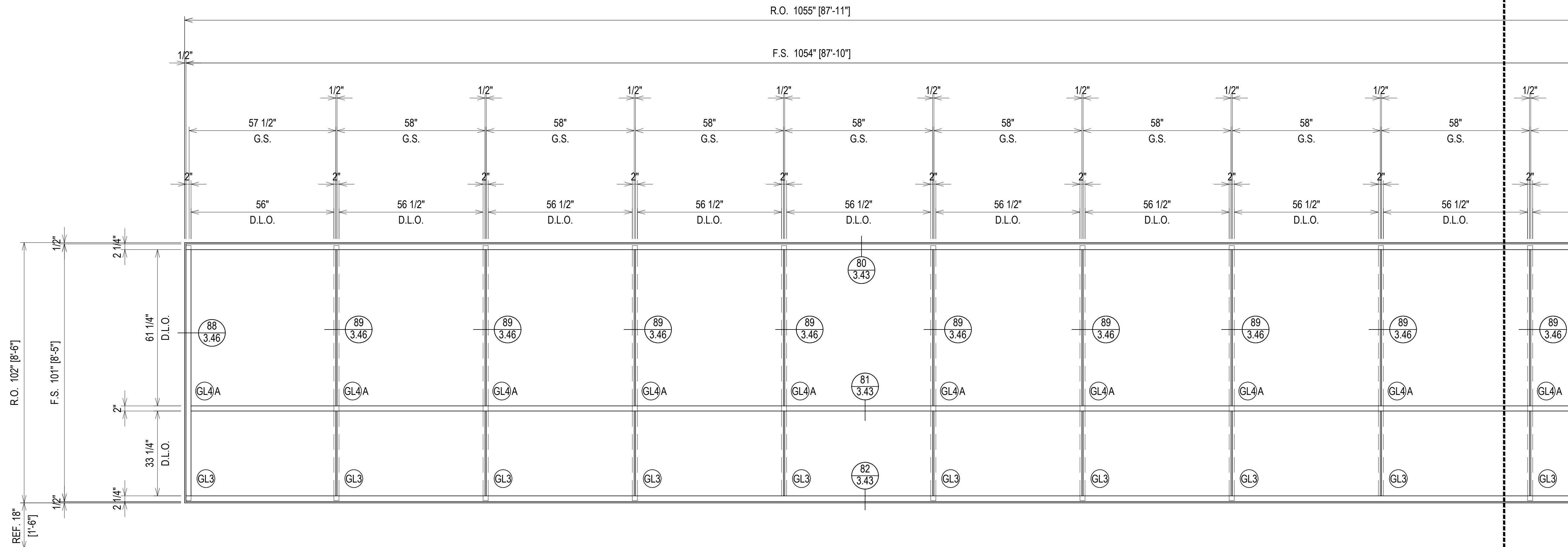
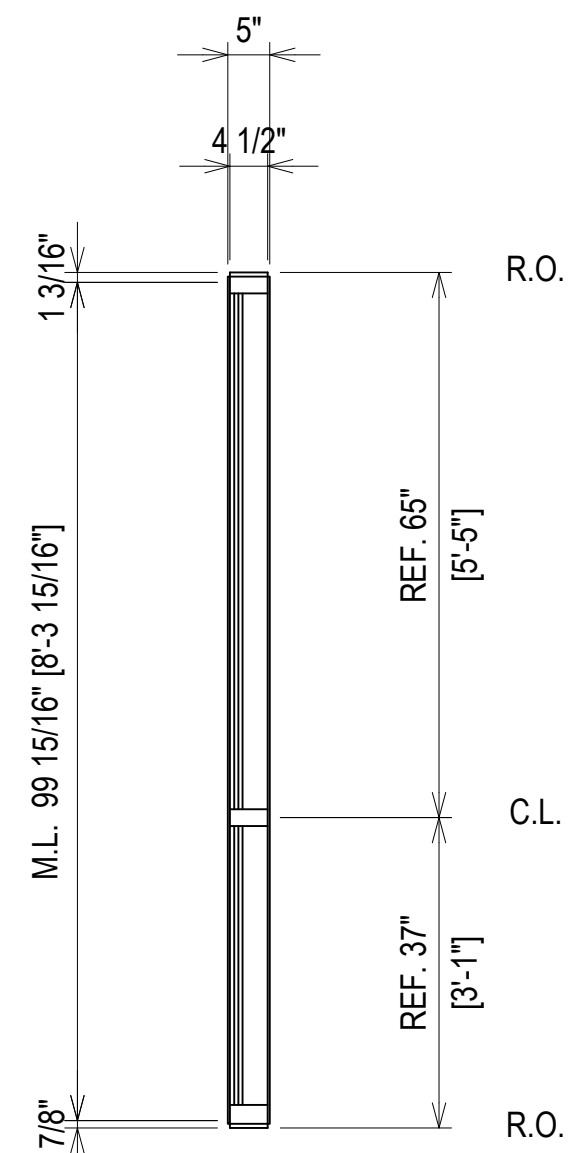
PROJECT: CONVOY OF HOPE  
 GLOBAL HEADQUARTERS  
 AND TRAINING CENTER  
 LOCATION: 7200 W. CARNAHAN STREET  
 SPRINGFIELD, MO 65802

PROJECT: CONVOY OF HOPE  
 GLOBAL HEADQUARTERS  
 AND TRAINING CENTER  
 LOCATION: 7200 W. CARNAHAN STREET  
 SPRINGFIELD, MO 65802

DRAWN BY:	DATE:
DJ	7.20.22
CHECKED BY:	DATE:
RD	7.20.22

**2.40**





**ELEVATION** SF15  
 SCALE: 1/2" = 1'-0"  
 KAWNEER TRI-FAB 451T SSG - 2" X 4 1/2"  
 EXTERIOR STOREFRONT  
 1" INSULATED GLASS (FRONT SET)  
 QUANTITY: 1

ERECTOR / G.C. NOTE:  
 PLEASE FIELD VERIFY ALL DIMENSIONS

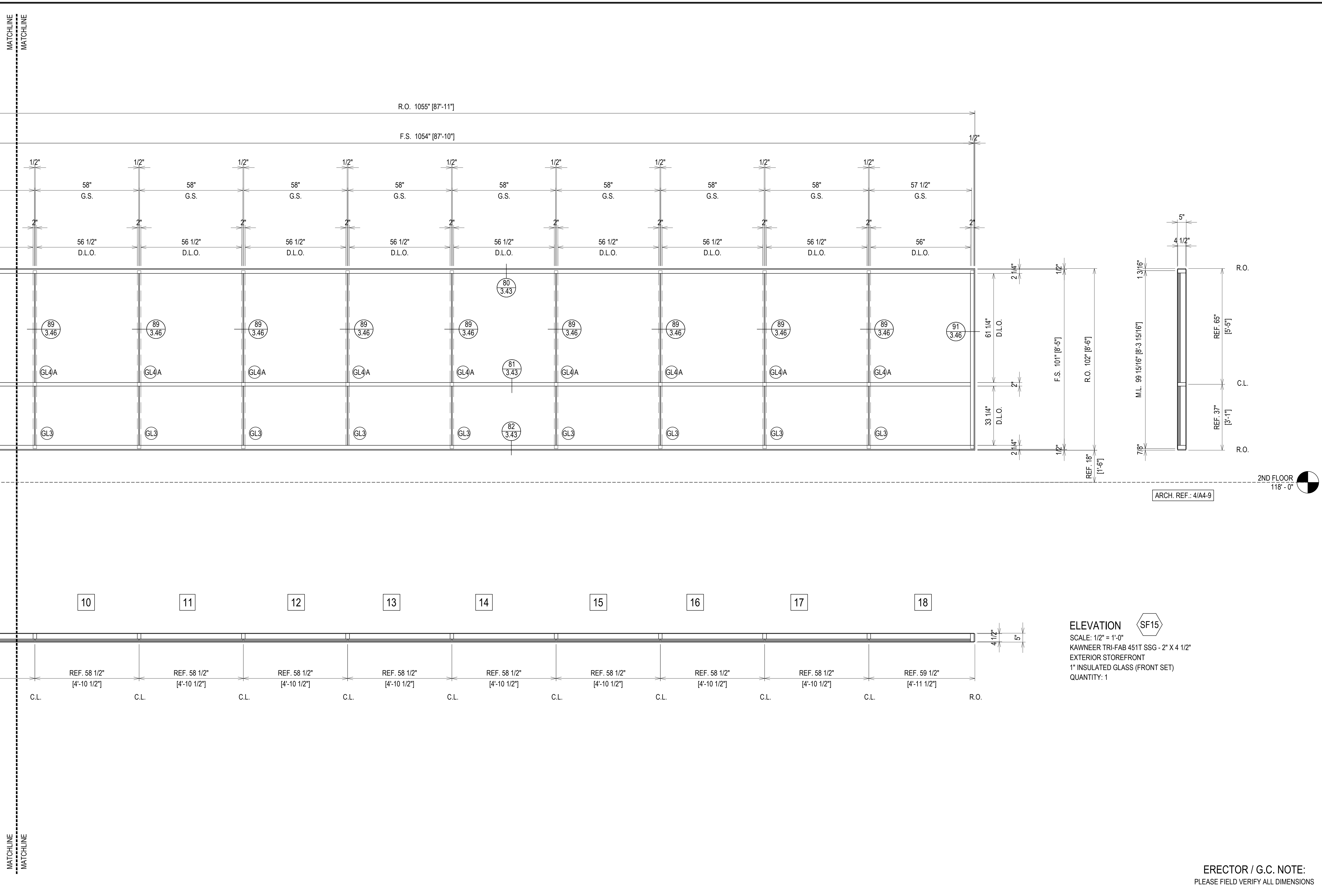
1ST SUBMISSION	7.20.22
1ST REVISION	8.3.22
NO	DATE
NO	DESCRIPTION
NO	DRAWING SUBMISSION

**SPRINGFIELD GLASS COMPANY**  
 2503 NORTH OAK GROVE AVE.  
 SPRINGFIELD, MO 65803  
 P: 417.883.6555

PROJECT: CONVOY OF HOPE  
 GLOBAL HEADQUARTERS  
 AND TRAINING CENTER  
 LOCATION: 7200 W. CARNAHAN STREET  
 SPRINGFIELD, MO 65802

DRAWN BY:	DATE:
DJ	7.20.22
CHECKED BY:	DATE:
RD	7.20.22

**2.41**



**ELEVATION** SF15  
 SCALE: 1/2" = 1'-0"  
 KAWNEER TRI-FAB 451T SSG - 2" X 4 1/2"  
 EXTERIOR STOREFRONT  
 1" INSULATED GLASS (FRONT SET)  
 QUANTITY: 1

**ERECTOR / G.C. NOTE:**  
 PLEASE FIELD VERIFY ALL DIMENSIONS

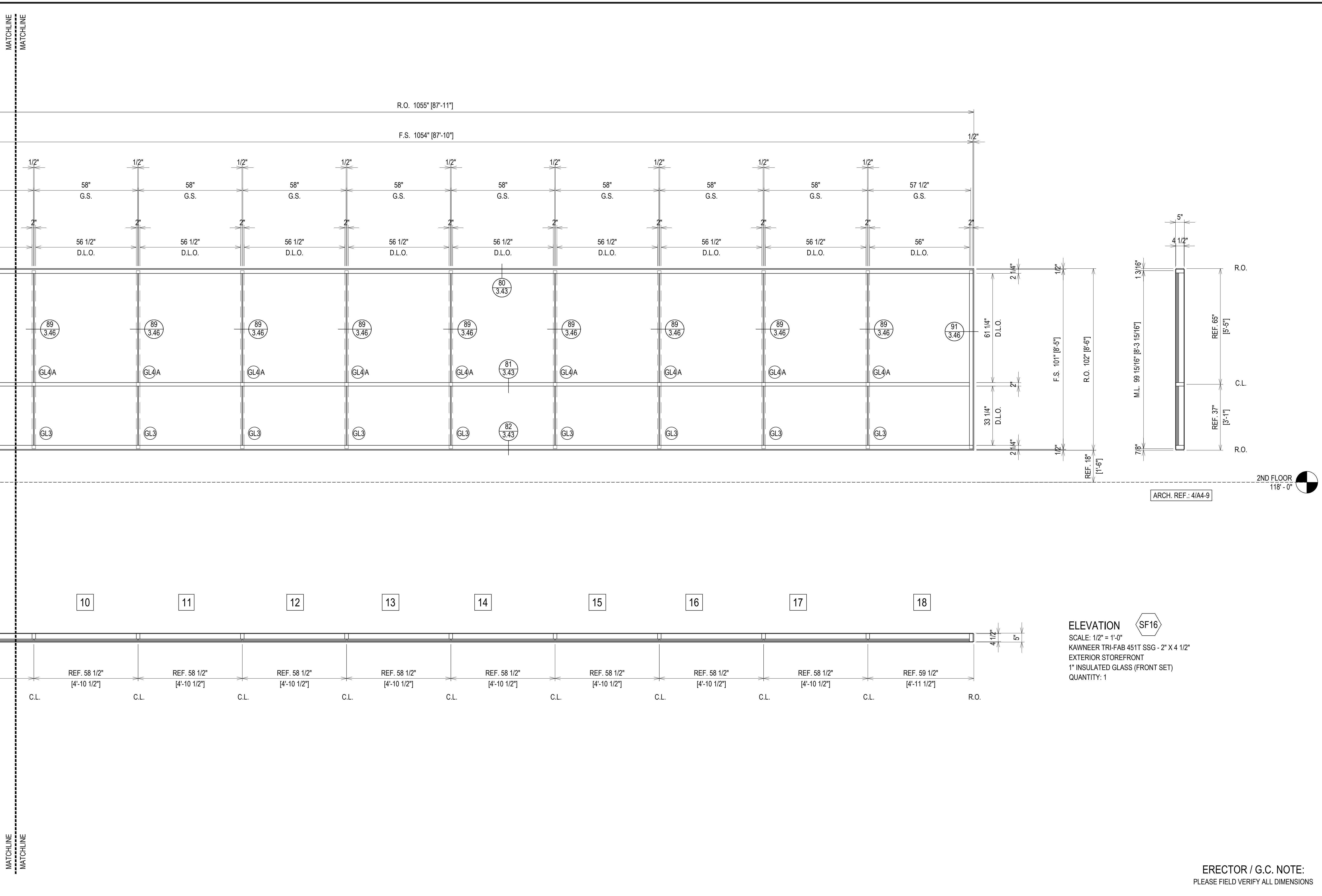
1ST SUBMISSION	7.20.22
1ST REVISION	8.3.22
NO	DATE
DESCRIPTION	DRAWING SUBMISSION

**SPRINGFIELD GLASS COMPANY**  
 2503 NORTH OAK GROVE AVE.  
 SPRINGFIELD, MO 65803  
 P: 417.883.6555

PROJECT: CONVOY OF HOPE  
 GLOBAL HEADQUARTERS  
 AND TRAINING CENTER  
 LOCATION: 7200 W. CARNAHAN STREET  
 SPRINGFIELD, MO 65802

DRAWN BY: DJ	DATE: 7.20.22
CHECKED BY: RD	DATE: 7.20.22





**ELEVATION** SF16  
 SCALE: 1/2" = 1'-0"  
 KAWNEER TRI-FAB 451T SSG - 2" X 4 1/2"  
 EXTERIOR STOREFRONT  
 1" INSULATED GLASS (FRONT SET)  
 QUANTITY: 1

ARCH. REF.: 4/A4-9

2ND FLOOR  
 118'-0"

**ERECTOR / G.C. NOTE:**  
 PLEASE FIELD VERIFY ALL DIMENSIONS

1ST SUBMISSION	7.20.22
1ST REVISION	8.3.22
NO	DATE
DESCRIPTION	DRAWING SUBMISSION

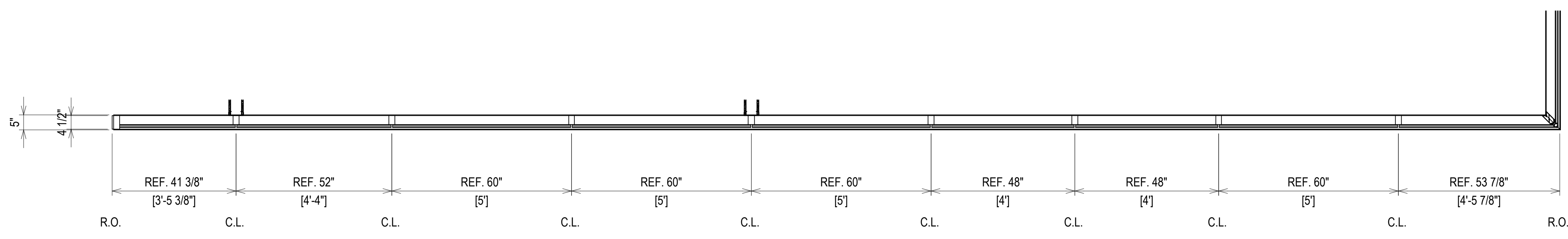
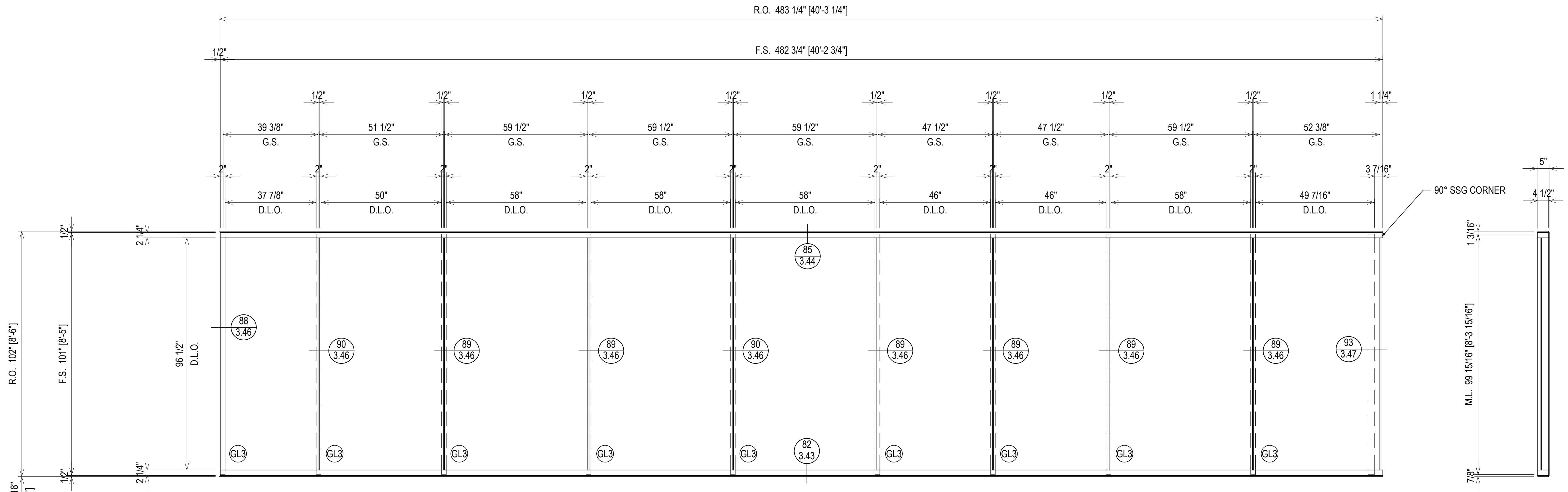
**SPRINGFIELD GLASS COMPANY**  
 2503 NORTH OAK GROVE AVE.  
 SPRINGFIELD, MO 65803  
 P: 417.883.6555

PROJECT: CONVOY OF HOPE  
 GLOBAL HEADQUARTERS  
 AND TRAINING CENTER

LOCATION: 7200 W. CARNAHAN STREET  
 SPRINGFIELD, MO 65802

DRAWN BY:	DATE:
DJ	7.20.22
CHECKED BY:	DATE:
RD	7.20.22

SECOND FLOOR  
118'-0"



SF18  
2.46

ELEVATION SF17  
SCALE: 1/2" = 1'-0"  
KAWNEER TRI-FAB 451T SSG - 2" X 4 1/2"  
EXTERIOR STOREFRONT  
1" INSULATED GLASS (FRONT SET)  
QUANTITY: 1

ARCH. REF.: 4/A5-4

1ST SUBMISSION	7.20.22
1ST REVISION	8.3.22
NO	NO
DESCRIPTION	DATE
DRAWING SUBMISSION	

SPRINGFIELD GLASS COMPANY  
2503 NORTH OAK GROVE AVE.  
SPRINGFIELD, MO 65803  
P: 417.883.6555

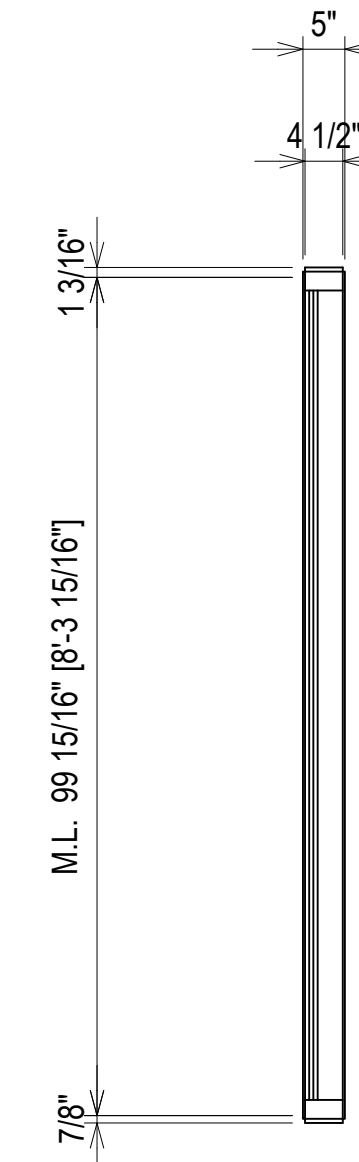
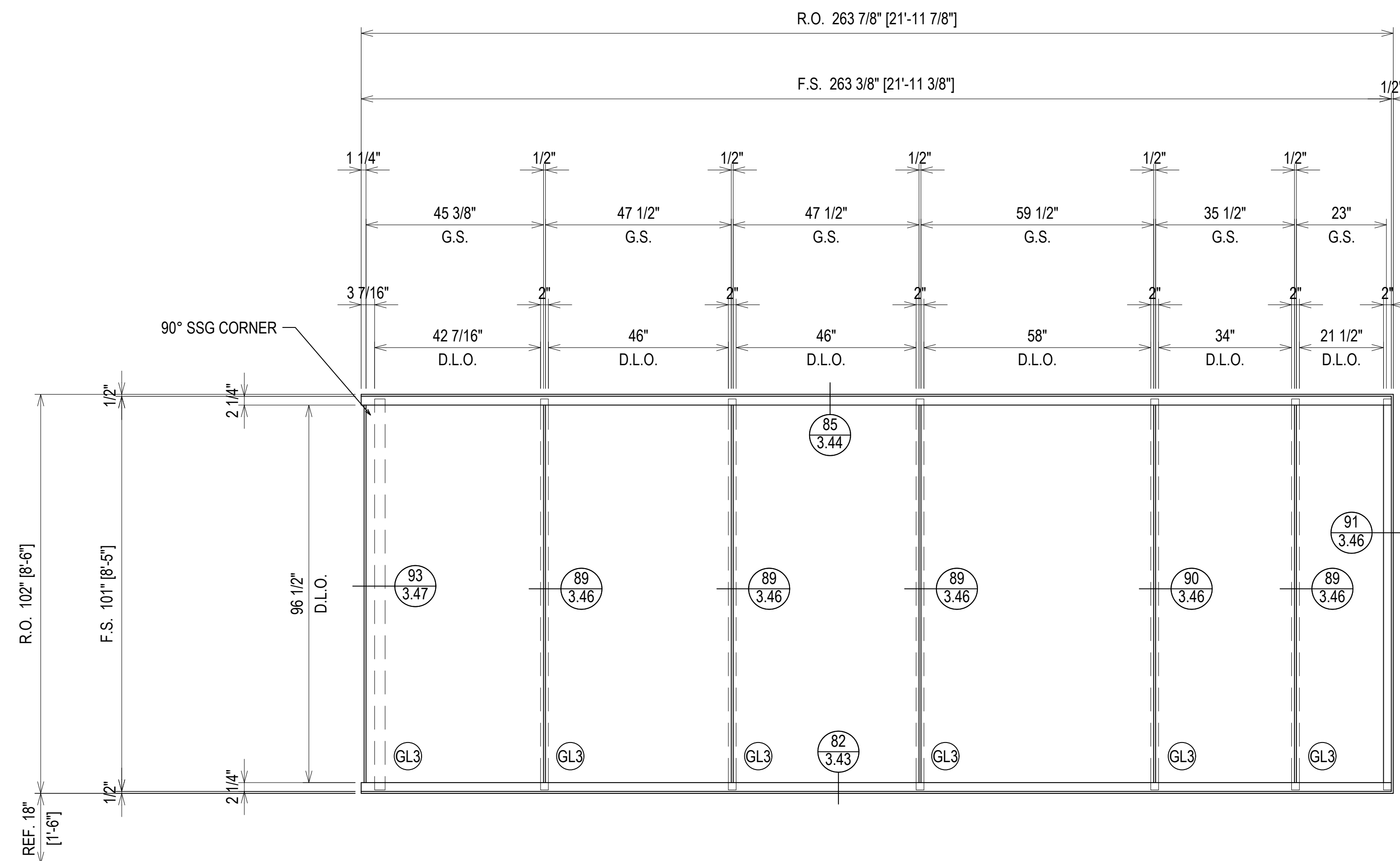
PROJECT: CONVOY OF HOPE  
GLOBAL HEADQUARTERS  
AND TRAINING CENTER  
LOCATION: 7200 W. CARNAHAN STREET  
SPRINGFIELD, MO 65802

DRAWN BY: DJ	DATE: 7.20.22
CHECKED BY: RD	DATE: 7.20.22

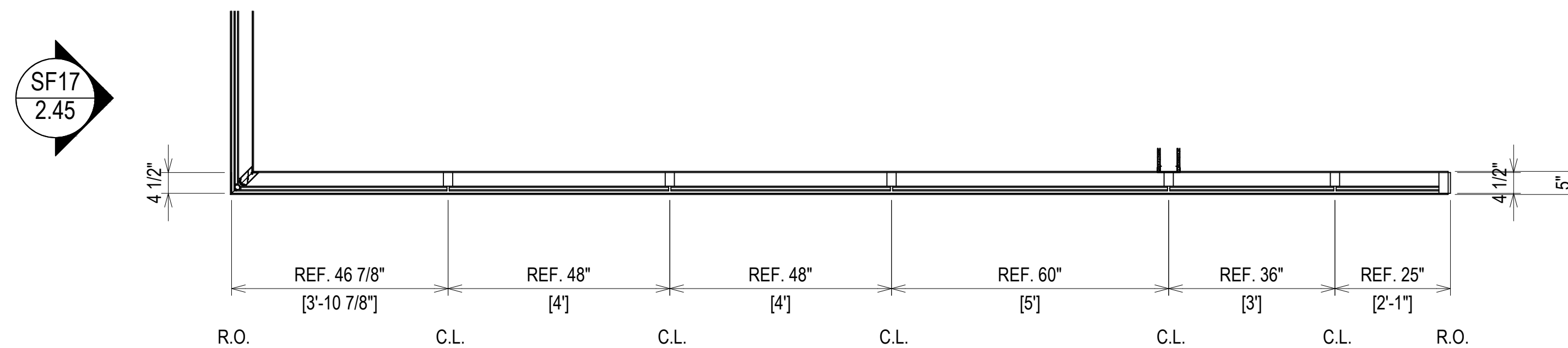
ERECTOR / G.C. NOTE:  
PLEASE FIELD VERIFY ALL DIMENSIONS

2.45

SECOND FLOOR  
118'-0"



ARCH. REF.: 4/A5-4



**ELEVATION** SF18  
 SCALE: 1/2" = 1'-0"  
 KAWNEER TRI-FAB 451T SSG - 2" X 4 1/2"  
 EXTERIOR STOREFRONT  
 1" INSULATED GLASS (FRONT SET)  
 QUANTITY: 1

1ST SUBMISSION	7.20.22
1ST REVISION	8.3.22
NO	DESCRIPTION
NO	DATE

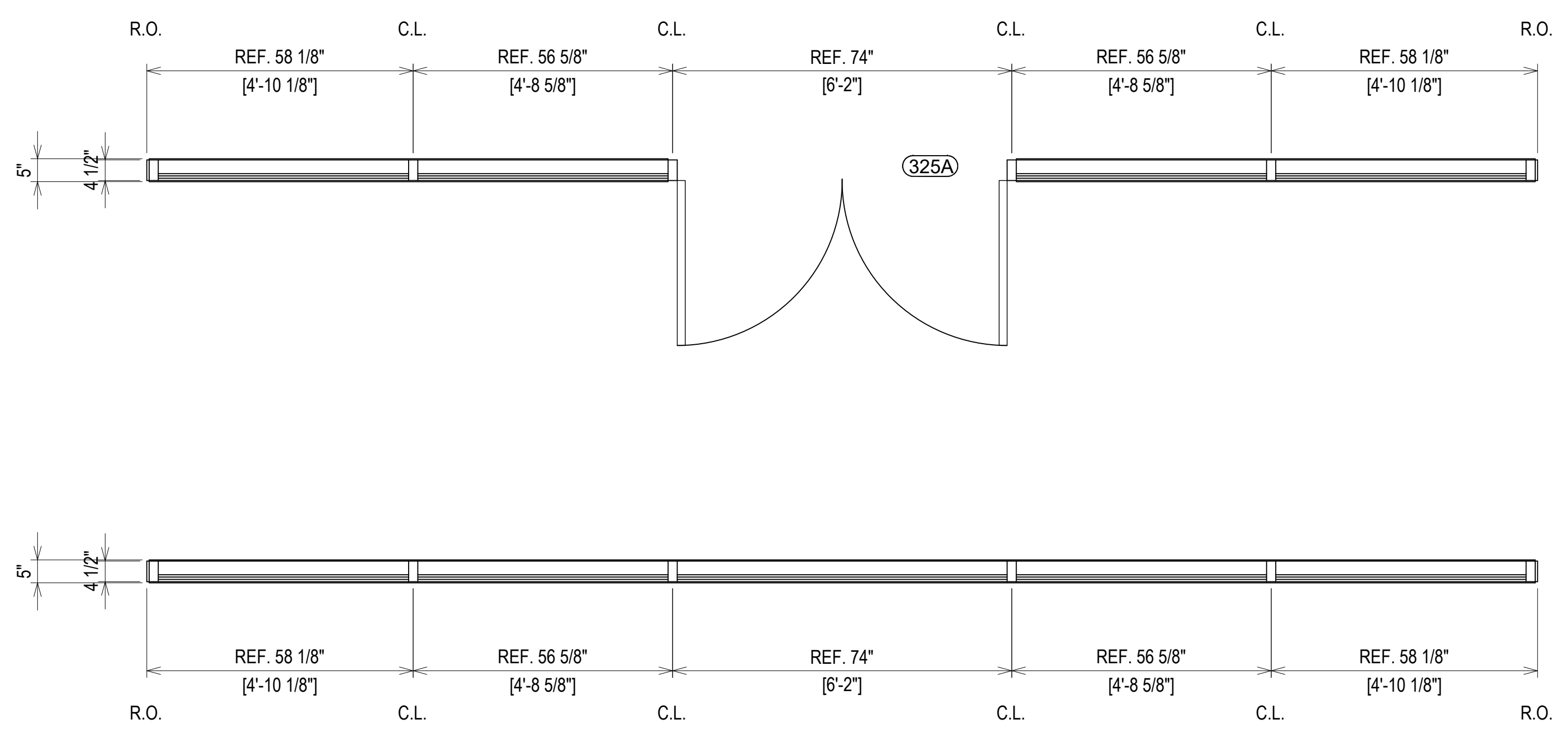
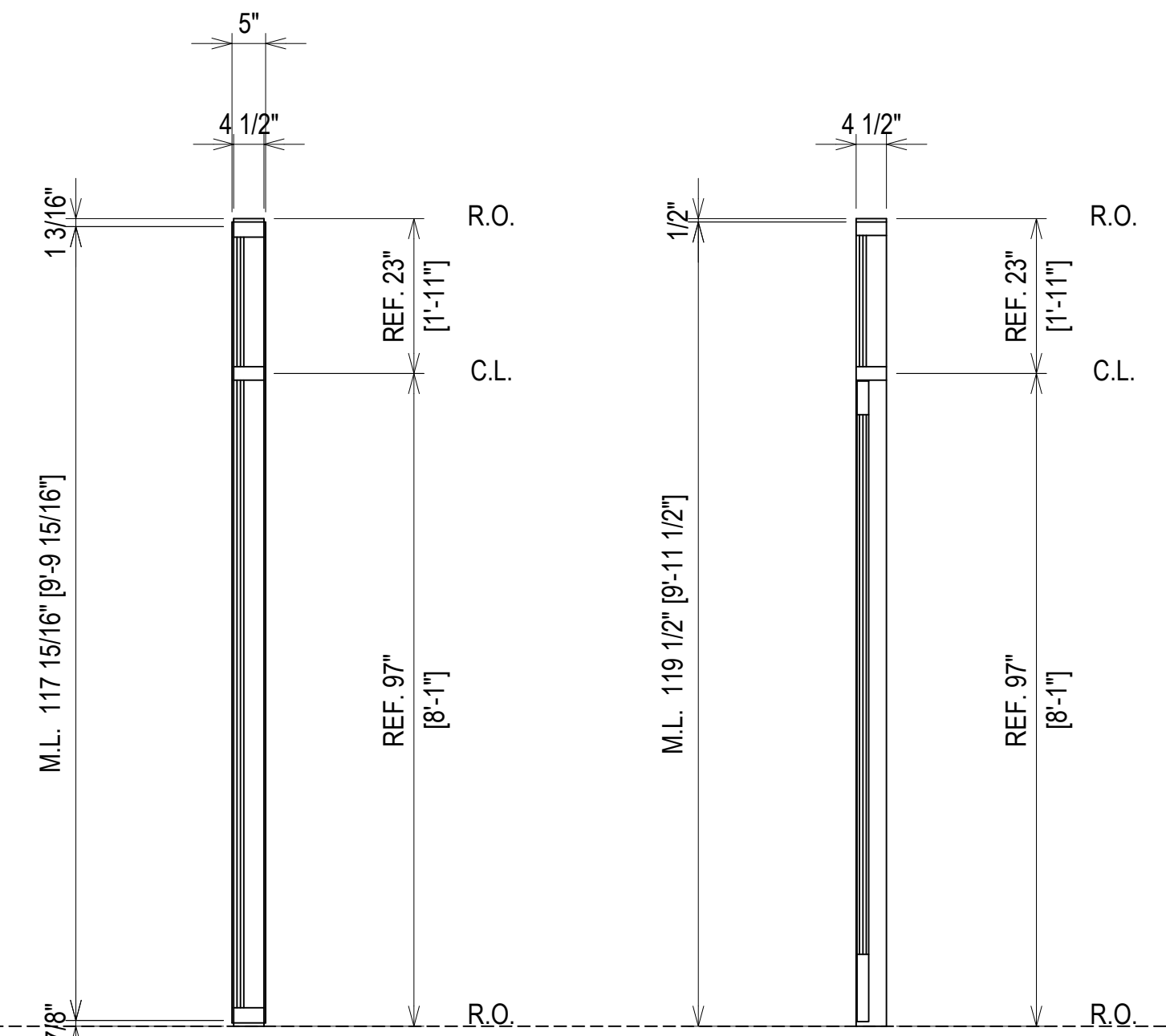
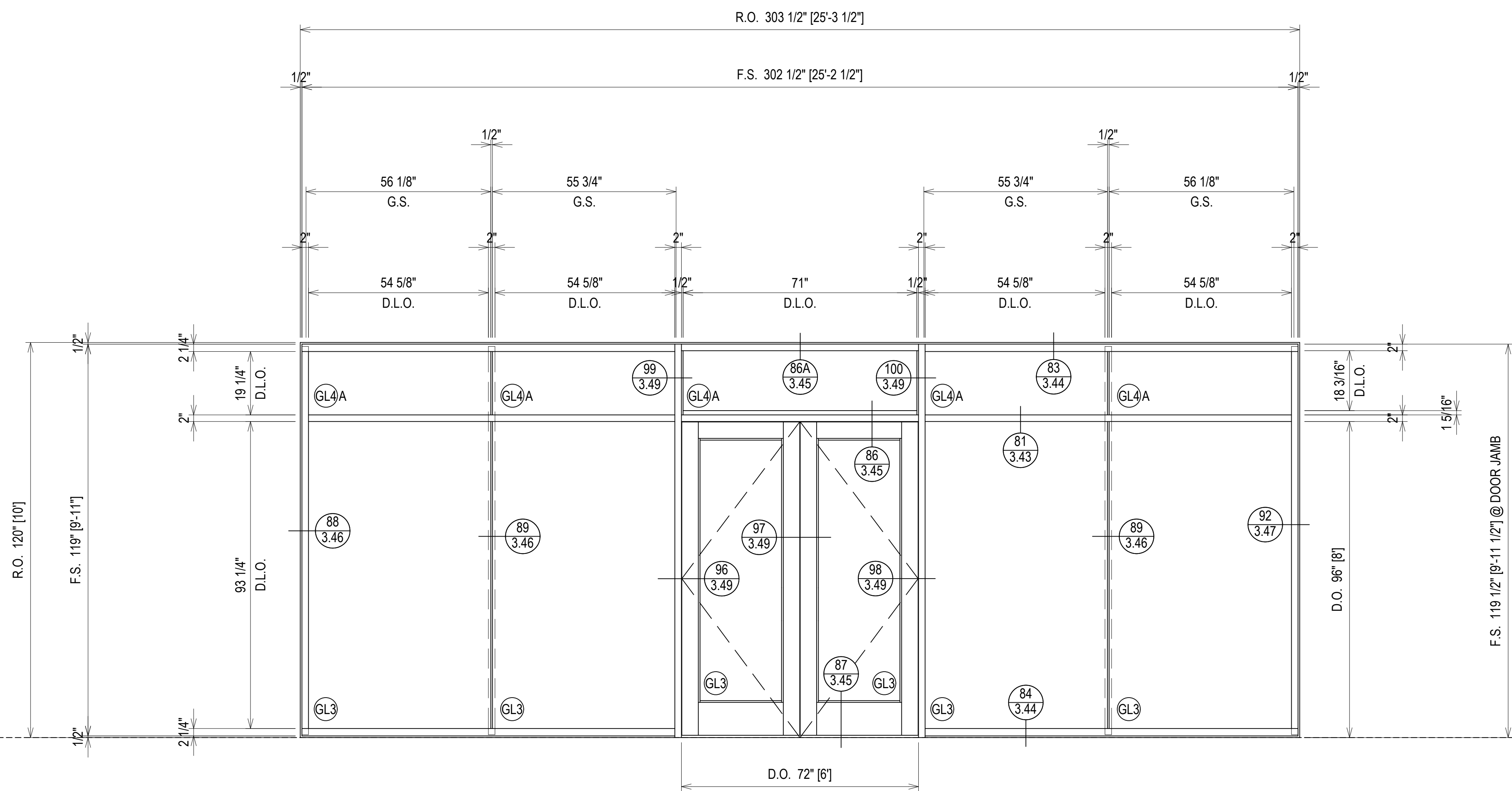
SPRINGFIELD GLASS COMPANY  
 2503 NORTH OAK GROVE AVE.  
 SPRINGFIELD, MO 65803  
 P: 417.883.6555

PROJECT: CONVOY OF HOPE  
 GLOBAL HEADQUARTERS  
 AND TRAINING CENTER  
 LOCATION: 7200 W. CARNAHAN STREET  
 SPRINGFIELD, MO 65802

DRAWN BY: DJ	DATE: 7.20.22
CHECKED BY: RD	DATE: 7.20.22

ERECTOR / G.C. NOTE:  
 PLEASE FIELD VERIFY ALL DIMENSIONS

THIRD FLOOR  
132'-0"



**ELEVATION** SF32  
 SCALE: 1/2" = 1'-0"  
 KAWNEER TRI-FAB 451T SSG - 2" X 4 1/2"  
 EXTERIOR STOREFRONT  
 1" INSULATED GLASS (FRONT SET)  
 QUANTITY: 1

1ST SUBMISSION	7.20.22
1ST REVISION	8.3.22
NO	DESCRIPTION
NO	DATE

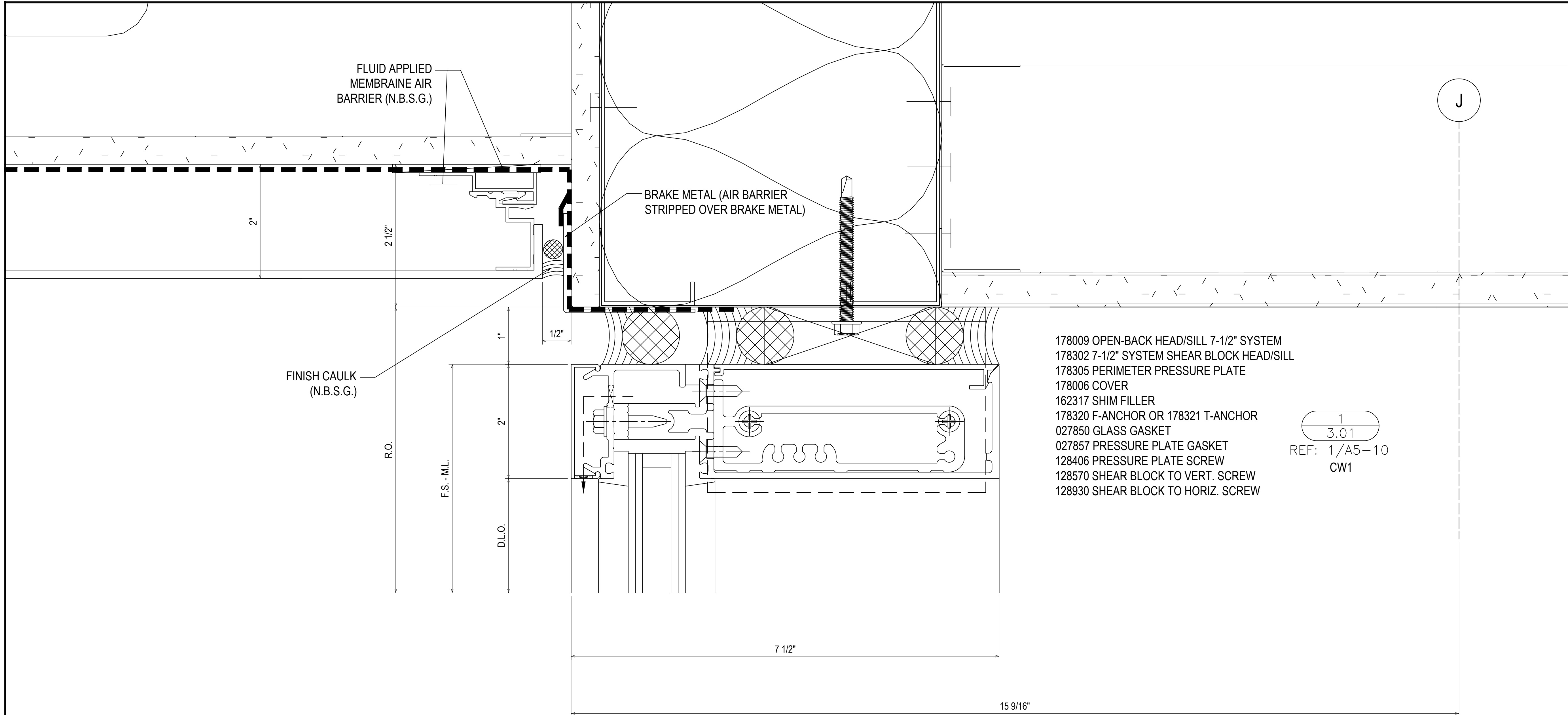
PROJECT: CONVOY OF HOPE  
 GLOBAL HEADQUARTERS  
 AND TRAINING CENTER  
 LOCATION: 7200 W. CARNAHAN STREET  
 SPRINGFIELD, MO 65802  
 SPRINGFIELD GLASS COMPANY  
 2503 NORTH OAK GROVE AVE.  
 SPRINGFIELD, MO 65803  
 P: 417.883.6555

DRAWN BY:	DATE:
DJ	7.20.22
CHECKED BY:	DATE:
RD	7.20.22

ERECTOR / G.C. NOTE:  
 PLEASE FIELD VERIFY ALL DIMENSIONS

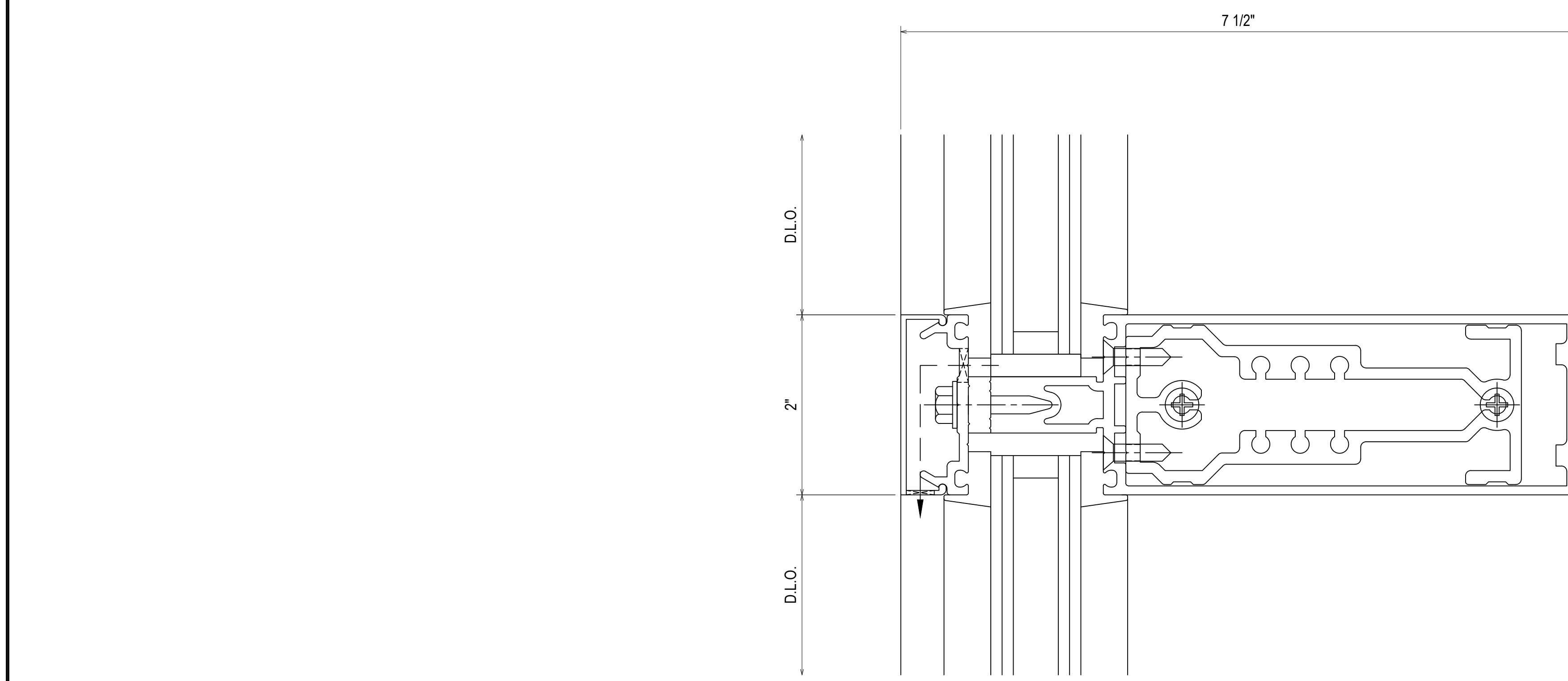






- 178009 OPEN-BACK HEAD/SILL 7-1/2" SYSTEM
- 178302 7-1/2" SYSTEM SHEAR BLOCK HEAD/SILL
- 178305 PERIMETER PRESSURE PLATE
- 178006 COVER
- 162317 SHIM FILLER
- 178320 F-ANCHOR OR 178321 T-ANCHOR
- 027850 GLASS GASKET
- 027857 PRESSURE PLATE GASKET
- 128406 PRESSURE PLATE SCREW
- 128570 SHEAR BLOCK TO VERT. SCREW
- 128930 SHEAR BLOCK TO HORIZ. SCREW

1  
3.01  
 REF: 1/A5-10  
 CW1



- 178003 LIGHT MULLION 7-1/2" SYSTEM
- 178304 INTERMEDIATE SHEAR BLOCK 7-1/2" SYSTEM
- 178300 PRESSURE PLATE
- 178006 COVER
- 027850 GLASS GASKET
- 027857 PRESSURE PLATE GASKET
- 128406 PRESSURE PLATE SCREW
- 128570 SHEAR BLOCK TO VERT. SCREW
- 128930 SHEAR BLOCK TO HORIZ. SCREW

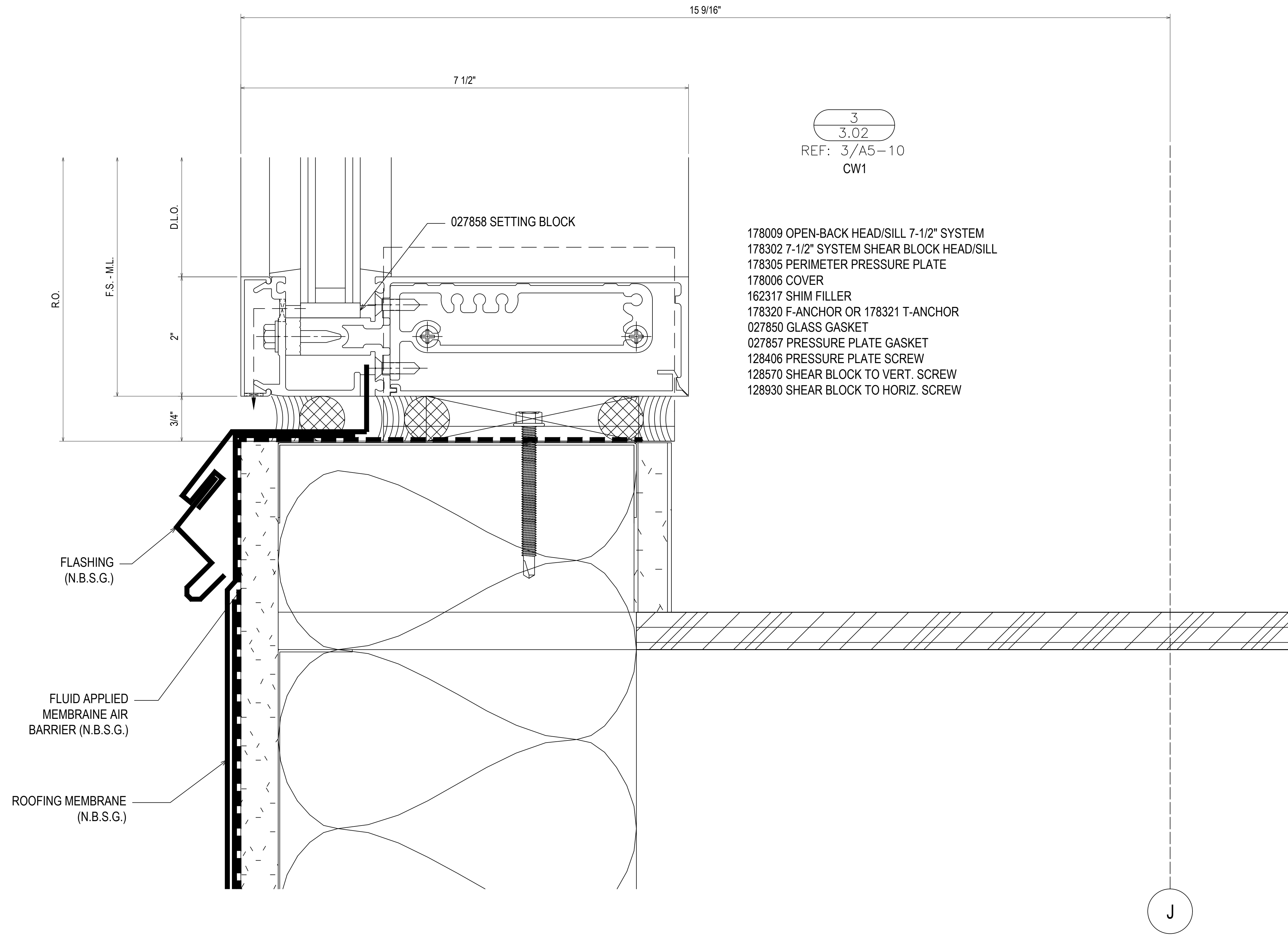
2  
3.01  
 REF: N/A  
 TYPICAL HORIZONTAL

1ST SUBMISSION	7.20.22
1ST REVISION	8.3.22
NO	DESCRIPTION
DRAWING SUBMISSION	

**SPRINGFIELD GLASS COMPANY**  
 2503 NORTH OAK GROVE AVE.  
 SPRINGFIELD, MO 65803  
 P: 417.883.6555

PROJECT: CONVOY OF HOPE  
 GLOBAL HEADQUARTERS  
 AND TRAINING CENTER  
 LOCATION: 7200 W. CARNAHAN STREET  
 SPRINGFIELD, MO 65802

DRAWN BY: DJ	DATE: 7.20.22
CHECKED BY: RD	DATE: 7.20.22



1ST SUBMISSION	7.20.22
1ST REVISION	8.3.22
NO	DESCRIPTION
NO	DATE

SPRINGFIELD GLASS COMPANY  
 2503 NORTH OAK GROVE AVE.  
 SPRINGFIELD, MO 65803  
 P: 417.883.6555

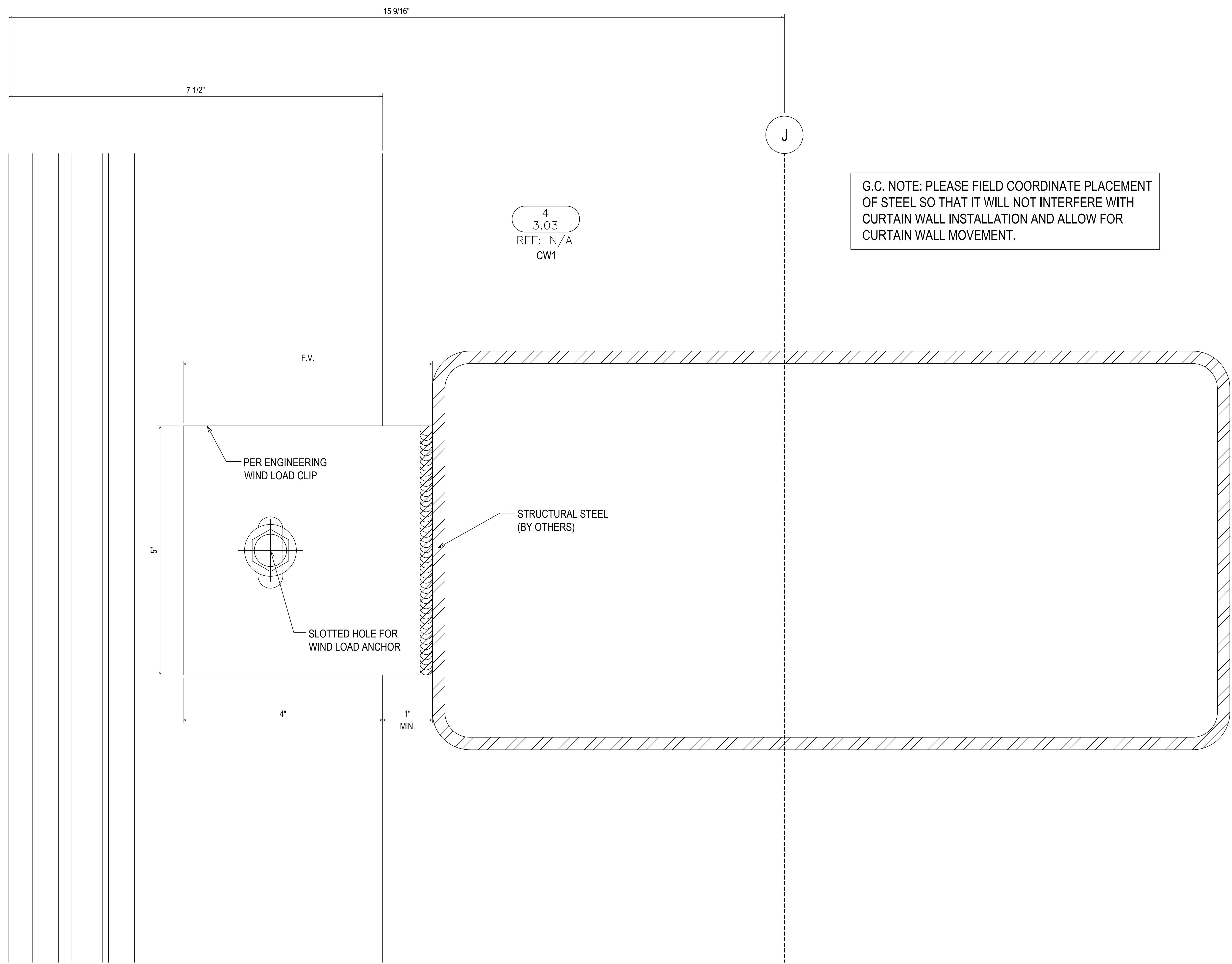
PROJECT: CONVOY OF HOPE  
 GLOBAL HEADQUARTERS  
 AND TRAINING CENTER

LOCATION: 7200 W. CARNAHAN STREET  
 SPRINGFIELD, MO 65802

DRAWN BY:	DATE:
DJ	7.20.22
CHECKED BY:	DATE:
RD	7.20.22

**3.02**

DRAWING SUBMISSION



1ST SUBMISSION	7.20.22
1ST REVISION	8.3.22
NO	DESCRIPTION
NO	DATE

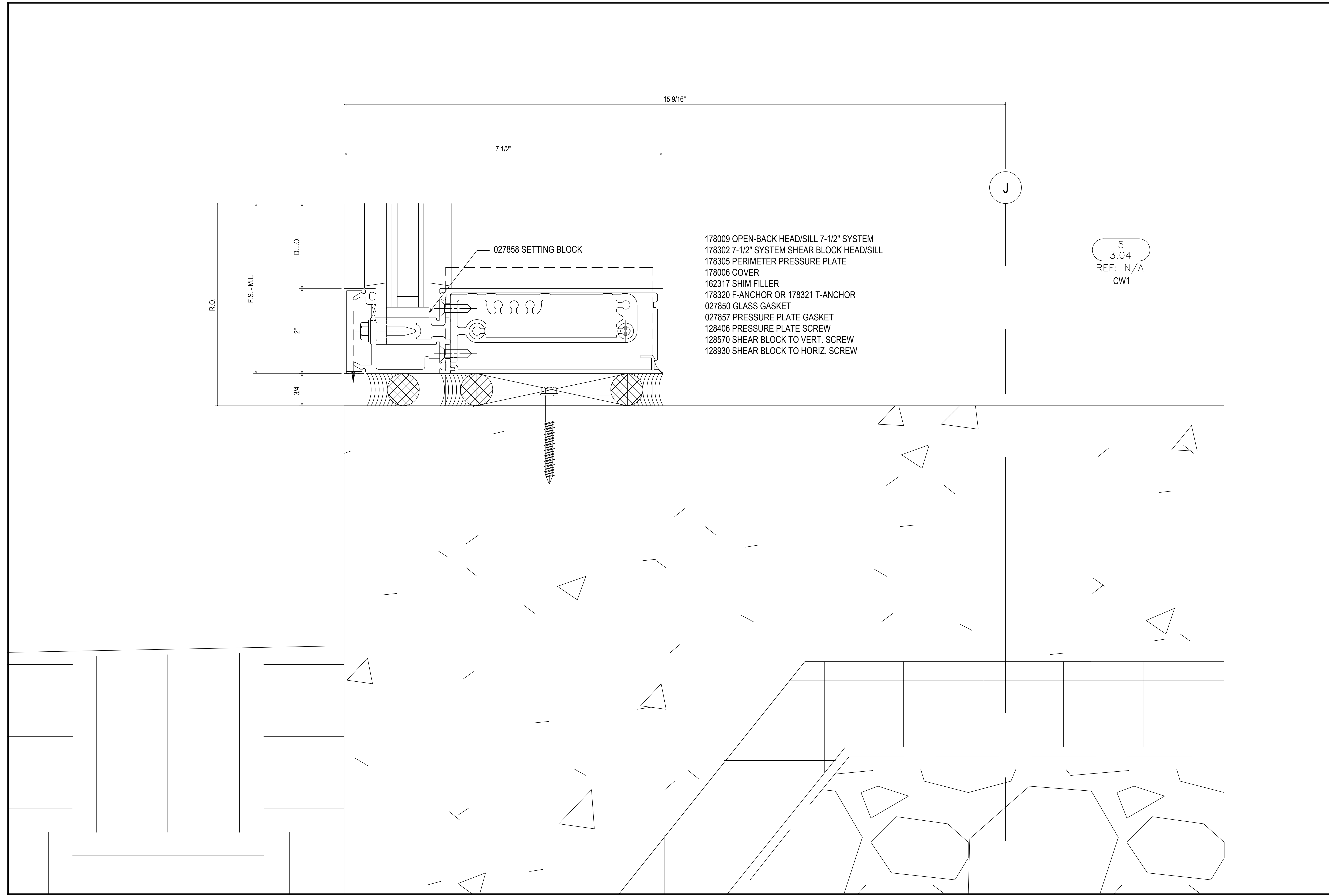
SPRINGFIELD GLASS COMPANY  
 2503 NORTH OAK GROVE AVE.  
 SPRINGFIELD, MO 65803  
 P: 417.883.6555

PROJECT: CONVOY OF HOPE  
 GLOBAL HEADQUARTERS  
 AND TRAINING CENTER

LOCATION: 7200 W. CARNAHAN STREET  
 SPRINGFIELD, MO 65802

DRAWN BY:	DATE:
DJ	7.20.22
CHECKED BY:	DATE:
RD	7.20.22

**3.03**

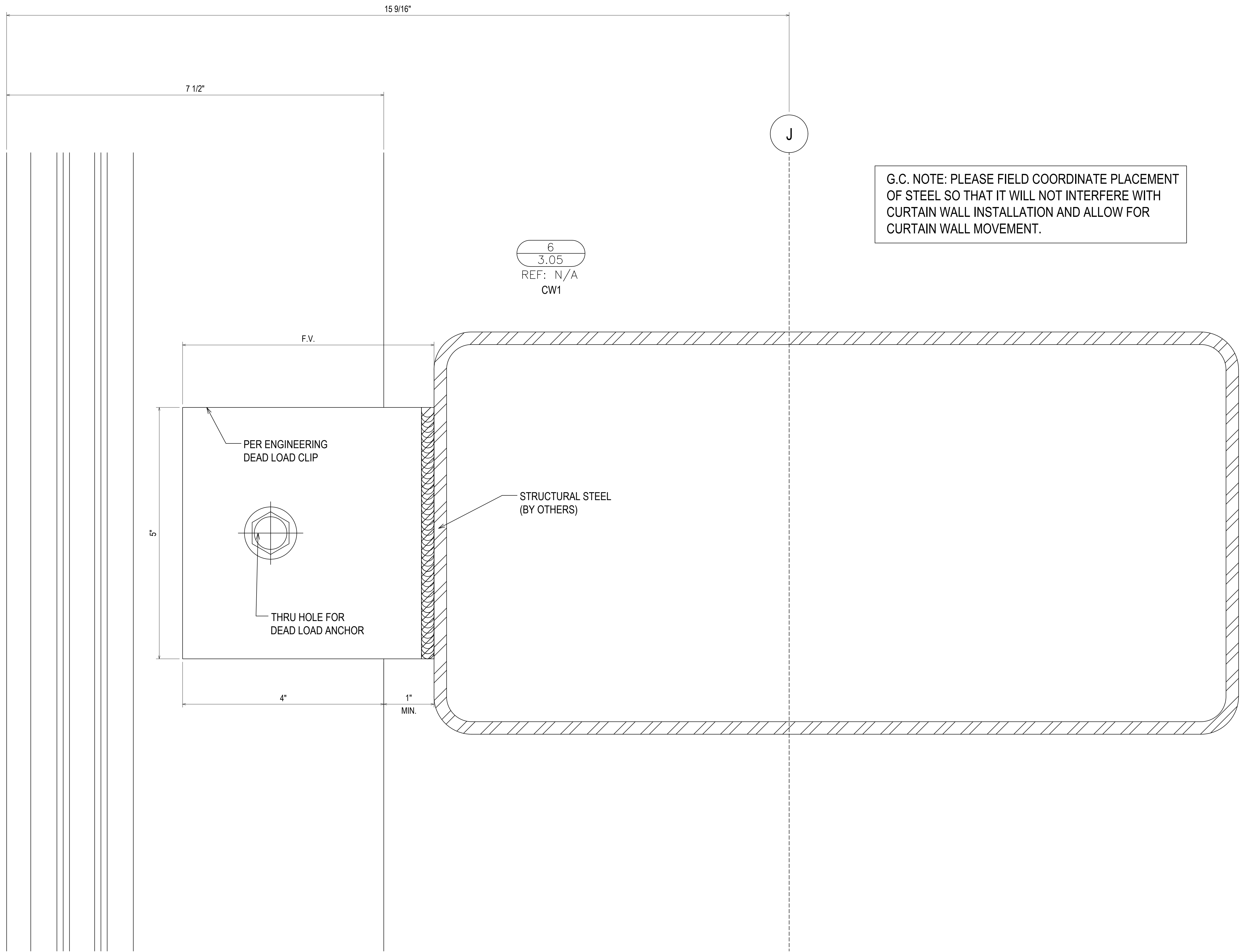


- 178009 OPEN-BACK HEAD/SILL 7-1/2" SYSTEM
- 178302 7-1/2" SYSTEM SHEAR BLOCK HEAD/SILL
- 178305 PERIMETER PRESSURE PLATE
- 178006 COVER
- 162317 SHIM FILLER
- 178320 F-ANCHOR OR 178321 T-ANCHOR
- 027850 GLASS GASKET
- 027857 PRESSURE PLATE GASKET
- 128406 PRESSURE PLATE SCREW
- 128570 SHEAR BLOCK TO VERT. SCREW
- 128930 SHEAR BLOCK TO HORIZ. SCREW

5  
 3.04  
 REF: N/A  
 CW1

PROJECT: CONVOY OF HOPE GLOBAL HEADQUARTERS AND TRAINING CENTER LOCATION: 7200 W. CARNAHAN STREET SPRINGFIELD, MO 65802	1ST SUBMISSION 1ST REVISION NO DESCRIPTION DRAWING SUBMISSION
DRAWN BY: DJ CHECKED BY: RD	DATE: 7.20.22 DATE: 7.20.22
3.04	

SPRINGFIELD GLASS COMPANY  
 2503 NORTH OAK GROVE AVE.  
 SPRINGFIELD, MO 65803  
 P: 417.883.6555



G.C. NOTE: PLEASE FIELD COORDINATE PLACEMENT OF STEEL SO THAT IT WILL NOT INTERFERE WITH CURTAIN WALL INSTALLATION AND ALLOW FOR CURTAIN WALL MOVEMENT.

6  
3.05  
REF: N/A  
CW1

1ST SUBMISSION	7.20.22
1ST REVISION	8.3.22
NO	DESCRIPTION
NO	DATE

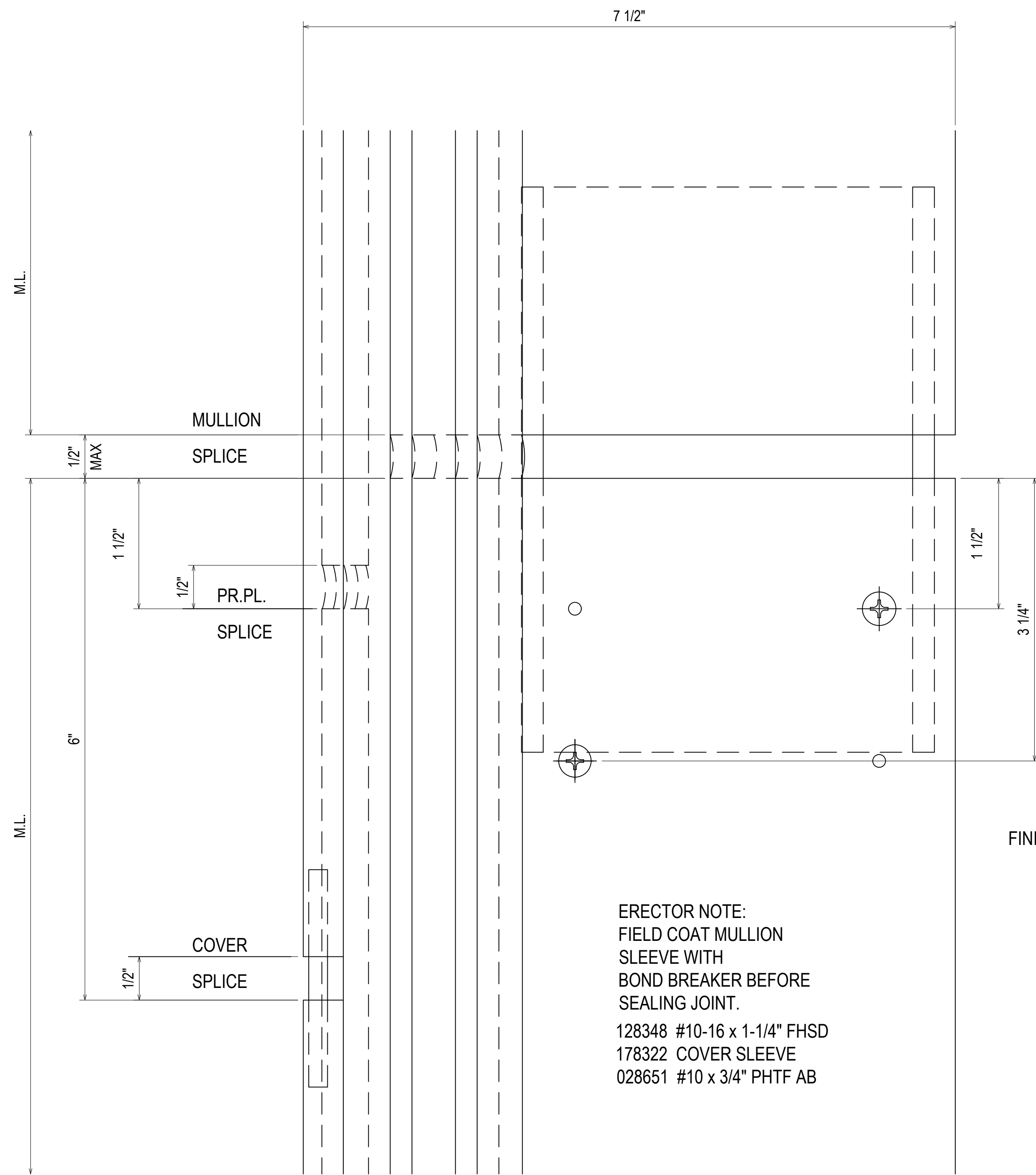
SPRINGFIELD GLASS COMPANY  
2503 NORTH OAK GROVE AVE.  
SPRINGFIELD, MO 65803  
P: 417.883.6555

PROJECT: CONVOY OF HOPE  
GLOBAL HEADQUARTERS  
AND TRAINING CENTER

LOCATION: 7200 W. CARNAHAN STREET  
SPRINGFIELD, MO 65802

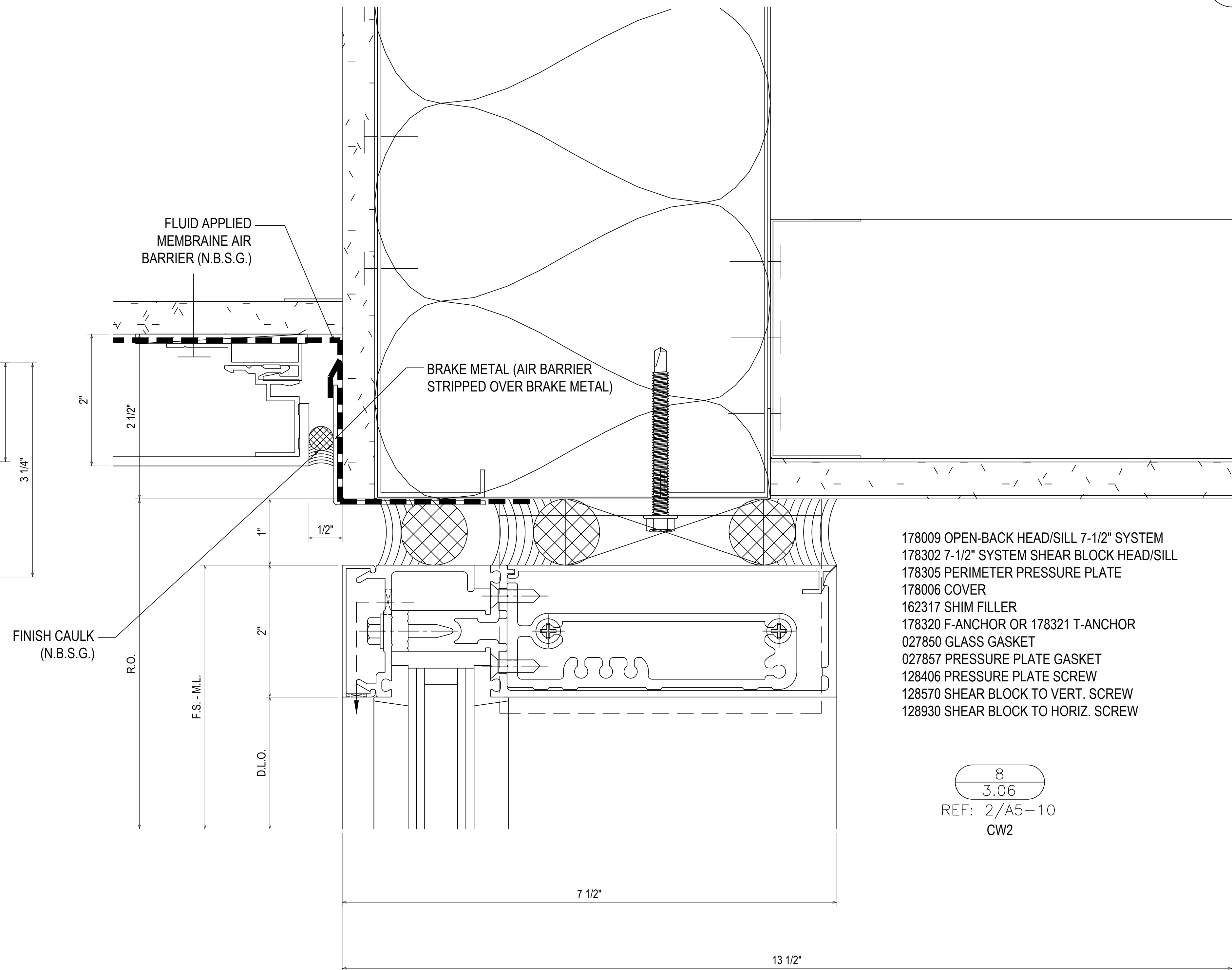
DRAWN BY:	DATE:
DJ	7.20.22
CHECKED BY:	DATE:
RD	7.20.22

**3.05**



ERECTOR NOTE:  
 FIELD COAT MULLION  
 SLEEVE WITH  
 BOND BREAKER BEFORE  
 SEALING JOINT.  
 128348 #10-16 x 1-1/4" FHSD  
 178322 COVER SLEEVE  
 028651 #10 x 3/4" PHTF AB

7  
 3.06  
 REF: N/A  
 CW1 - CW2 - CW5 - CW12

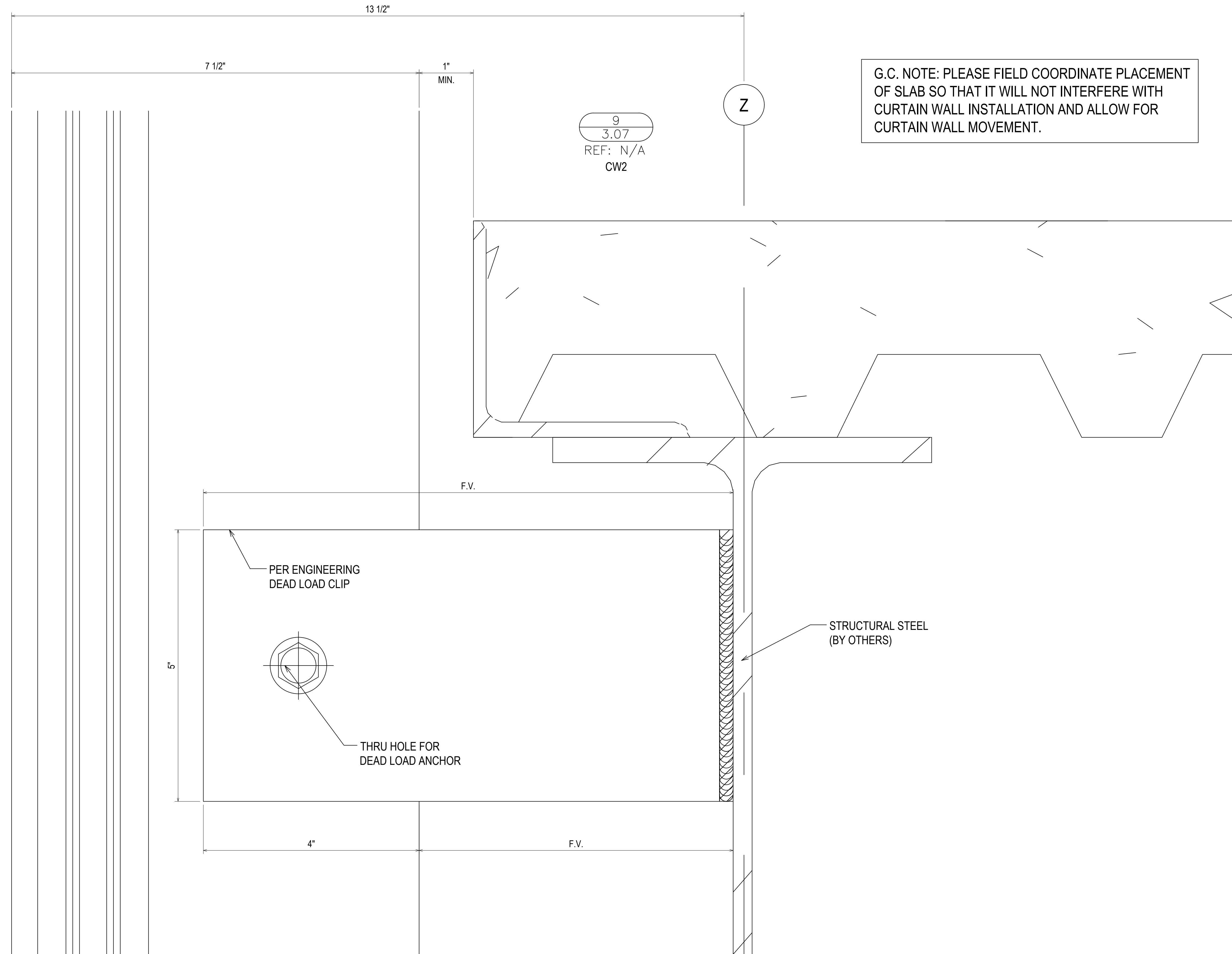


- 178009 OPEN-BACK HEAD/SILL 7-1/2" SYSTEM
- 178302 7-1/2" SYSTEM SHEAR BLOCK HEAD/SILL
- 178305 PERIMETER PRESSURE PLATE
- 178006 COVER
- 162317 SHIM FILLER
- 178320 F-ANCHOR OR 178321 T-ANCHOR
- 027850 GLASS GASKET
- 027857 PRESSURE PLATE GASKET
- 128406 PRESSURE PLATE SCREW
- 128570 SHEAR BLOCK TO VERT. SCREW
- 128930 SHEAR BLOCK TO HORIZ. SCREW

8  
 3.06  
 REF: 2/A5-10  
 CW2

Z

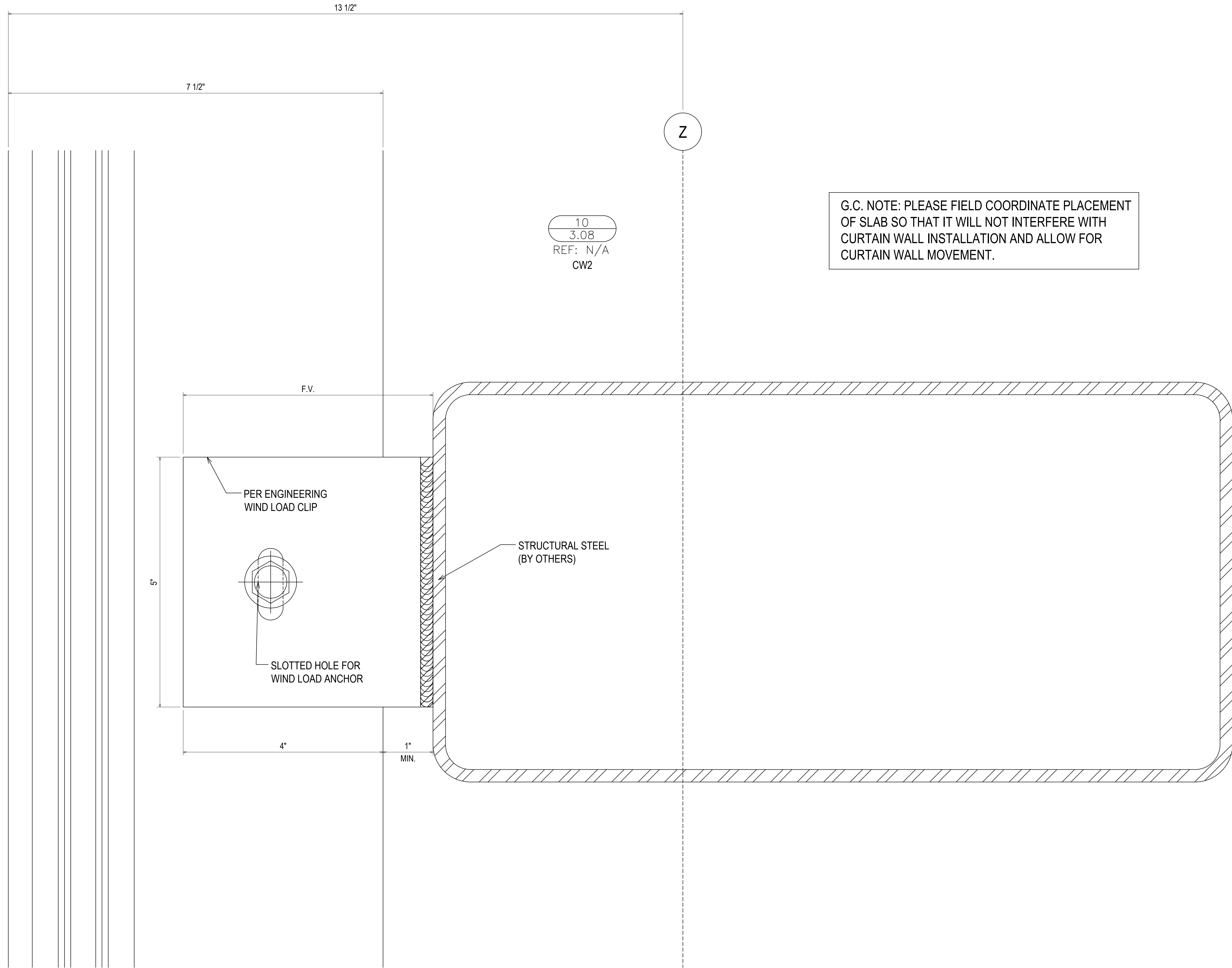
PROJECT: CONVOY OF HOPE GLOBAL HEADQUARTERS AND TRAINING CENTER LOCATION: 7200 W. CARNAHAN STREET SPRINGFIELD, MO 65802	178009 OPEN-BACK HEAD/SILL 7-1/2" SYSTEM 178302 7-1/2" SYSTEM SHEAR BLOCK HEAD/SILL 178305 PERIMETER PRESSURE PLATE 178006 COVER 162317 SHIM FILLER 178320 F-ANCHOR OR 178321 T-ANCHOR 027850 GLASS GASKET 027857 PRESSURE PLATE GASKET 128406 PRESSURE PLATE SCREW 128570 SHEAR BLOCK TO VERT. SCREW 128930 SHEAR BLOCK TO HORIZ. SCREW
DRAWN BY: DJ CHECKED BY: RD	DATE: 7.20.22 DATE: 7.20.22
3.06	
SPRINGFIELD GLASS COMPANY 2503 NORTH OAK GROVE AVE. SPRINGFIELD, MO 65803 P: 417.883.6555	
1ST SUBMISSION 1ST REVISION	7.20.22 8.3.22
NO NO NO	DESCRIPTION DESCRIPTION DATE
DRAWING SUBMISSION	



G.C. NOTE: PLEASE FIELD COORDINATE PLACEMENT OF SLAB SO THAT IT WILL NOT INTERFERE WITH CURTAIN WALL INSTALLATION AND ALLOW FOR CURTAIN WALL MOVEMENT.

9  
3.07  
REF: N/A  
CW2

PROJECT:	CONVOY OF HOPE GLOBAL HEADQUARTERS AND TRAINING CENTER	LOCATION:	7200 W. CARNAHAN STREET SPRINGFIELD, MO 65802
1ST SUBMISSION	7.20.22	1ST REVISION	8.3.22
NO	DESCRIPTION	DATE	DRAWING SUBMISSION
SPRINGFIELD GLASS COMPANY 2503 NORTH OAK GROVE AVE. SPRINGFIELD, MO 65803 P: 417.883.6555			
DRAWN BY:	DJ	DATE:	7.20.22
CHECKED BY:	RD	DATE:	7.20.22
			3.07



10  
3.08  
REF: N/A  
CW2

G.C. NOTE: PLEASE FIELD COORDINATE PLACEMENT OF SLAB SO THAT IT WILL NOT INTERFERE WITH CURTAIN WALL INSTALLATION AND ALLOW FOR CURTAIN WALL MOVEMENT.

1ST SUBMISSION	7.20.22
1ST REVISION	8.3.22
NO	DESCRIPTION
NO	DATE

SPRINGFIELD GLASS COMPANY  
2503 NORTH OAK GROVE AVE.  
SPRINGFIELD, MO 65803  
P: 417.883.6555

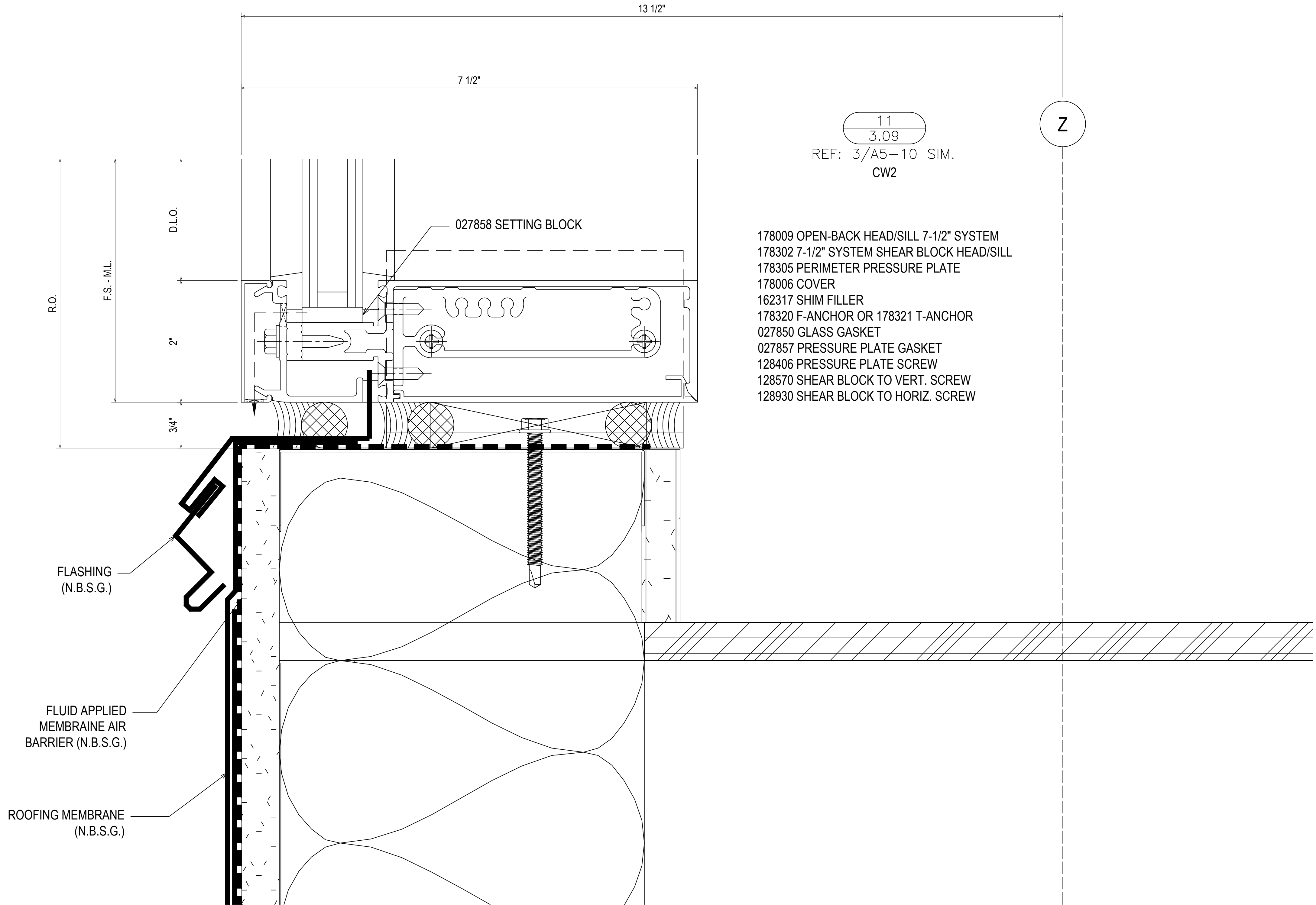
PROJECT: CONVOY OF HOPE  
GLOBAL HEADQUARTERS  
AND TRAINING CENTER

LOCATION: 7200 W. CARNAHAN STREET  
SPRINGFIELD, MO 65802

DRAWN BY:	DATE:
DJ	7.20.22
CHECKED BY:	DATE:
RD	7.20.22

**3.08**





- 178009 OPEN-BACK HEAD/SILL 7-1/2" SYSTEM
- 178302 7-1/2" SYSTEM SHEAR BLOCK HEAD/SILL
- 178305 PERIMETER PRESSURE PLATE
- 178006 COVER
- 162317 SHIM FILLER
- 178320 F-ANCHOR OR 178321 T-ANCHOR
- 027850 GLASS GASKET
- 027857 PRESSURE PLATE GASKET
- 128406 PRESSURE PLATE SCREW
- 128570 SHEAR BLOCK TO VERT. SCREW
- 128930 SHEAR BLOCK TO HORIZ. SCREW

1ST SUBMISSION	7.20.22
1ST REVISION	8.3.22
NO	DESCRIPTION
NO	DATE

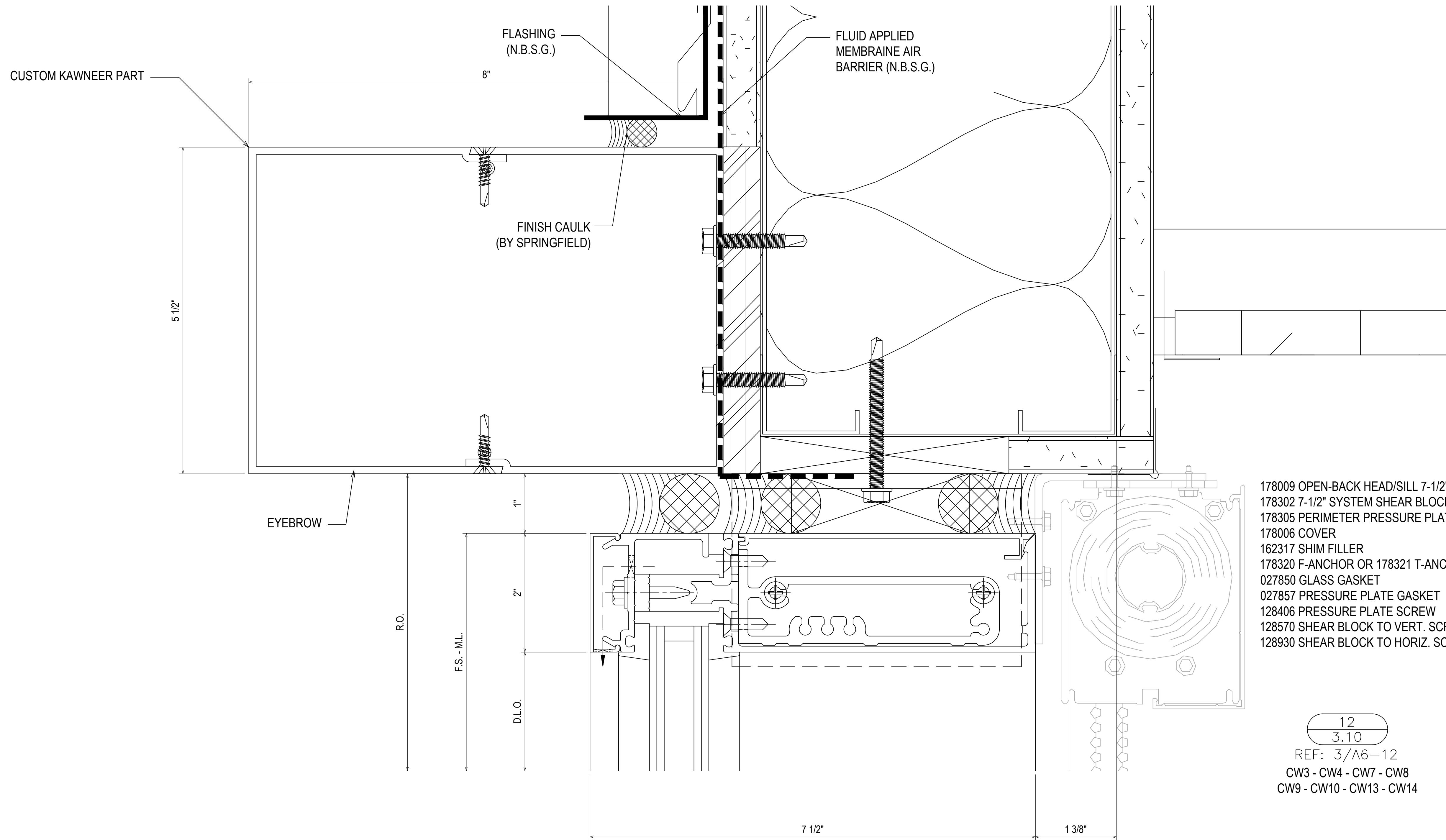
SPRINGFIELD GLASS COMPANY  
 2503 NORTH OAK GROVE AVE.  
 SPRINGFIELD, MO 65803  
 P: 417.883.6555

PROJECT: CONVOY OF HOPE  
 GLOBAL HEADQUARTERS  
 AND TRAINING CENTER  
 LOCATION: 7200 W. CARNAHAN STREET  
 SPRINGFIELD, MO 65802

DRAWN BY:	DATE:
DJ	7.20.22
CHECKED BY:	DATE:
RD	7.20.22

**3.09**

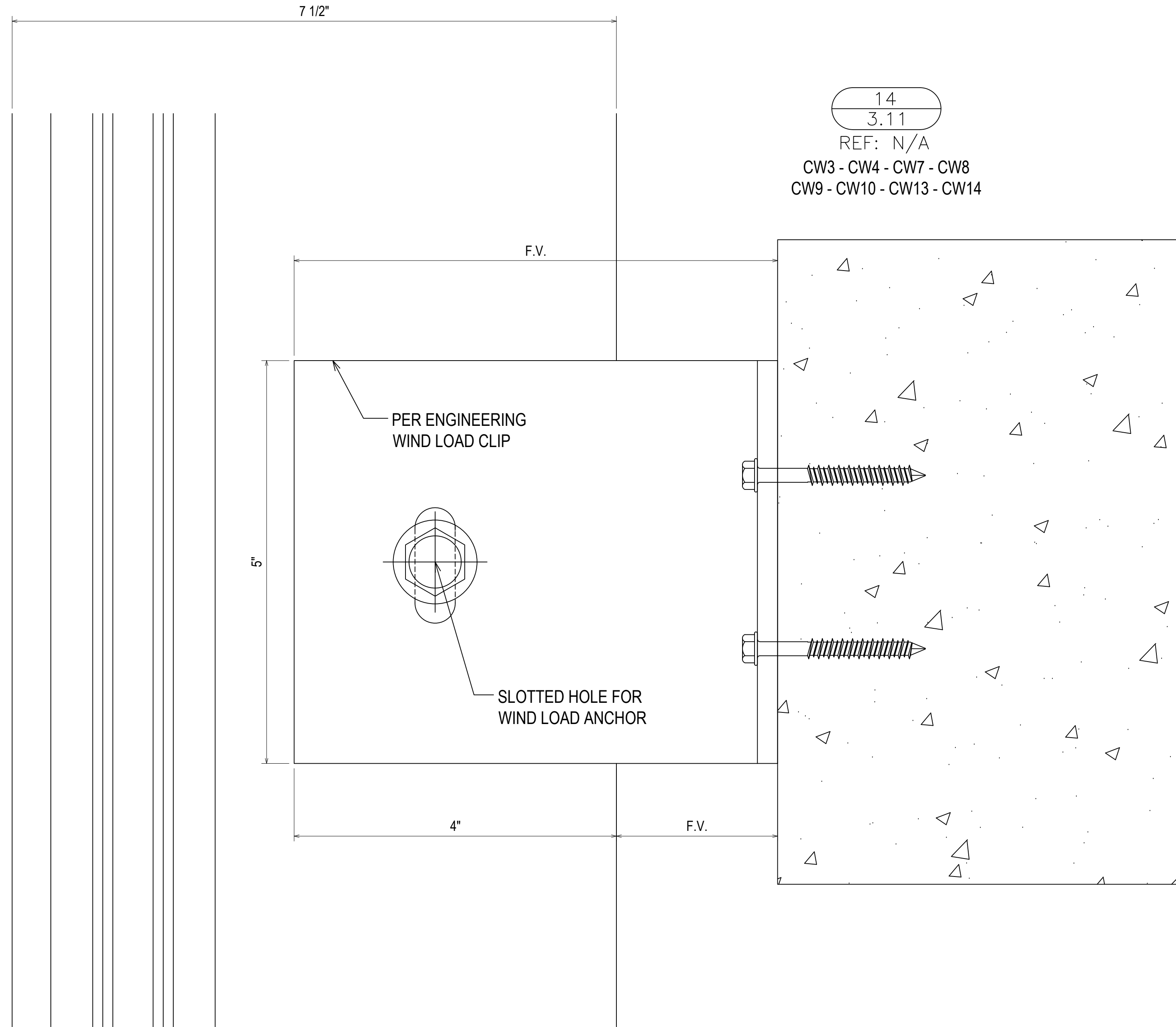
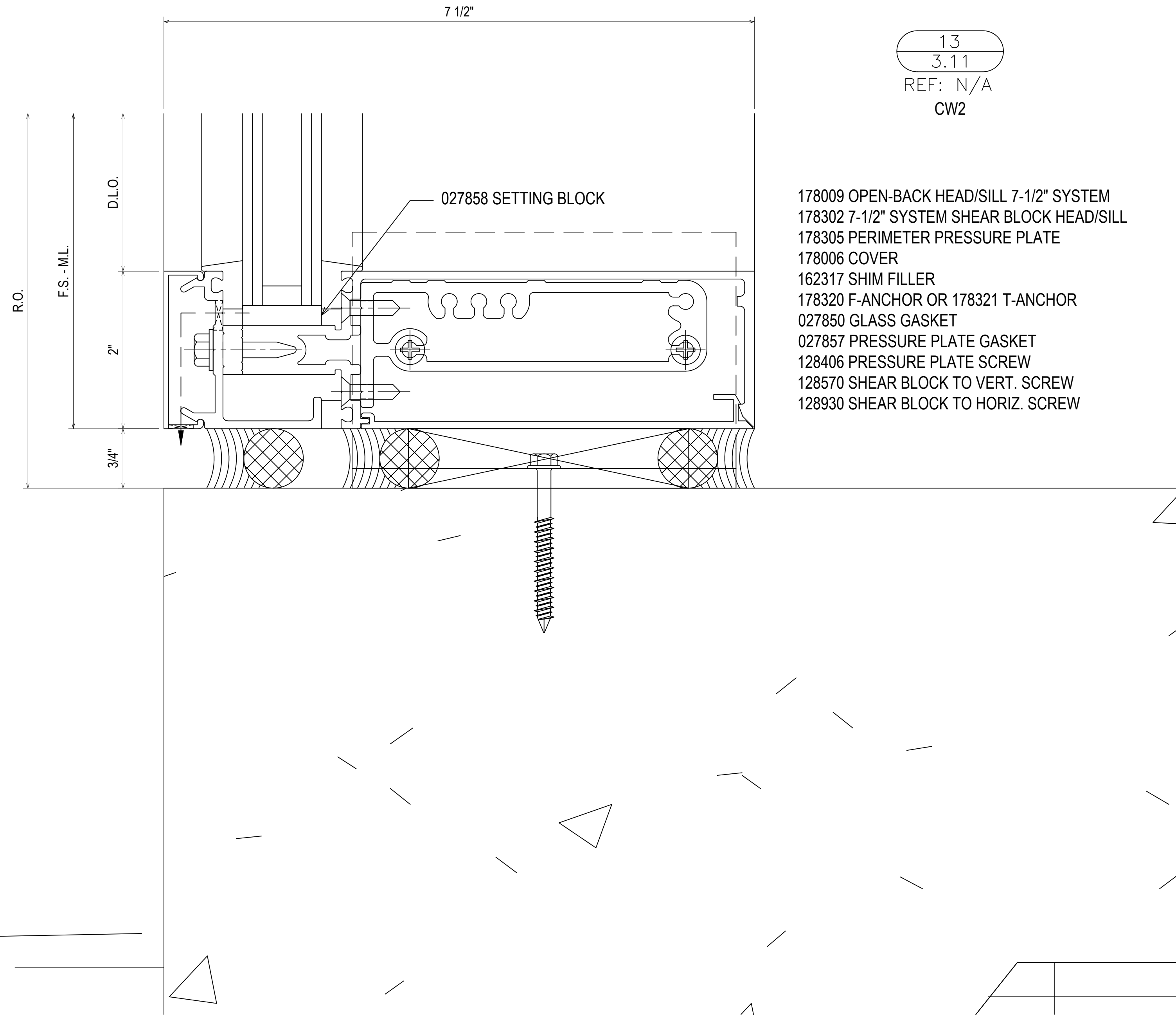
DRAWING SUBMISSION



- 178009 OPEN-BACK HEAD/SILL 7-1/2" SYSTEM
- 178302 7-1/2" SYSTEM SHEAR BLOCK HEAD/SILL
- 178305 PERIMETER PRESSURE PLATE
- 178006 COVER
- 162317 SHIM FILLER
- 178320 F-ANCHOR OR 178321 T-ANCHOR
- 027850 GLASS GASKET
- 027857 PRESSURE PLATE GASKET
- 128406 PRESSURE PLATE SCREW
- 128570 SHEAR BLOCK TO VERT. SCREW
- 128930 SHEAR BLOCK TO HORIZ. SCREW

12  
3.10  
 REF: 3/A6-12  
 CW3 - CW4 - CW7 - CW8  
 CW9 - CW10 - CW13 - CW14

PROJECT: CONVOY OF HOPE GLOBAL HEADQUARTERS AND TRAINING CENTER LOCATION: 7200 W. CARNAHAN STREET SPRINGFIELD, MO 65802	178009 OPEN-BACK HEAD/SILL 7-1/2" SYSTEM 178302 7-1/2" SYSTEM SHEAR BLOCK HEAD/SILL 178305 PERIMETER PRESSURE PLATE 178006 COVER 162317 SHIM FILLER 178320 F-ANCHOR OR 178321 T-ANCHOR 027850 GLASS GASKET 027857 PRESSURE PLATE GASKET 128406 PRESSURE PLATE SCREW 128570 SHEAR BLOCK TO VERT. SCREW 128930 SHEAR BLOCK TO HORIZ. SCREW
DRAWN BY: DJ CHECKED BY: RD	DATE: 7.20.22 DATE: 7.20.22
<b>3.10</b>	
SPRINGFIELD GLASS COMPANY 2503 NORTH OAK GROVE AVE. SPRINGFIELD, MO 65803 P: 417.883.6555	
1ST SUBMISSION 1ST REVISION	7.20.22 8.3.22
NO NO	DESCRIPTION DATE
DRAWING SUBMISSION	



1ST SUBMISSION	7.20.22
1ST REVISION	8.3.22
NO	DESCRIPTION
NO	DATE

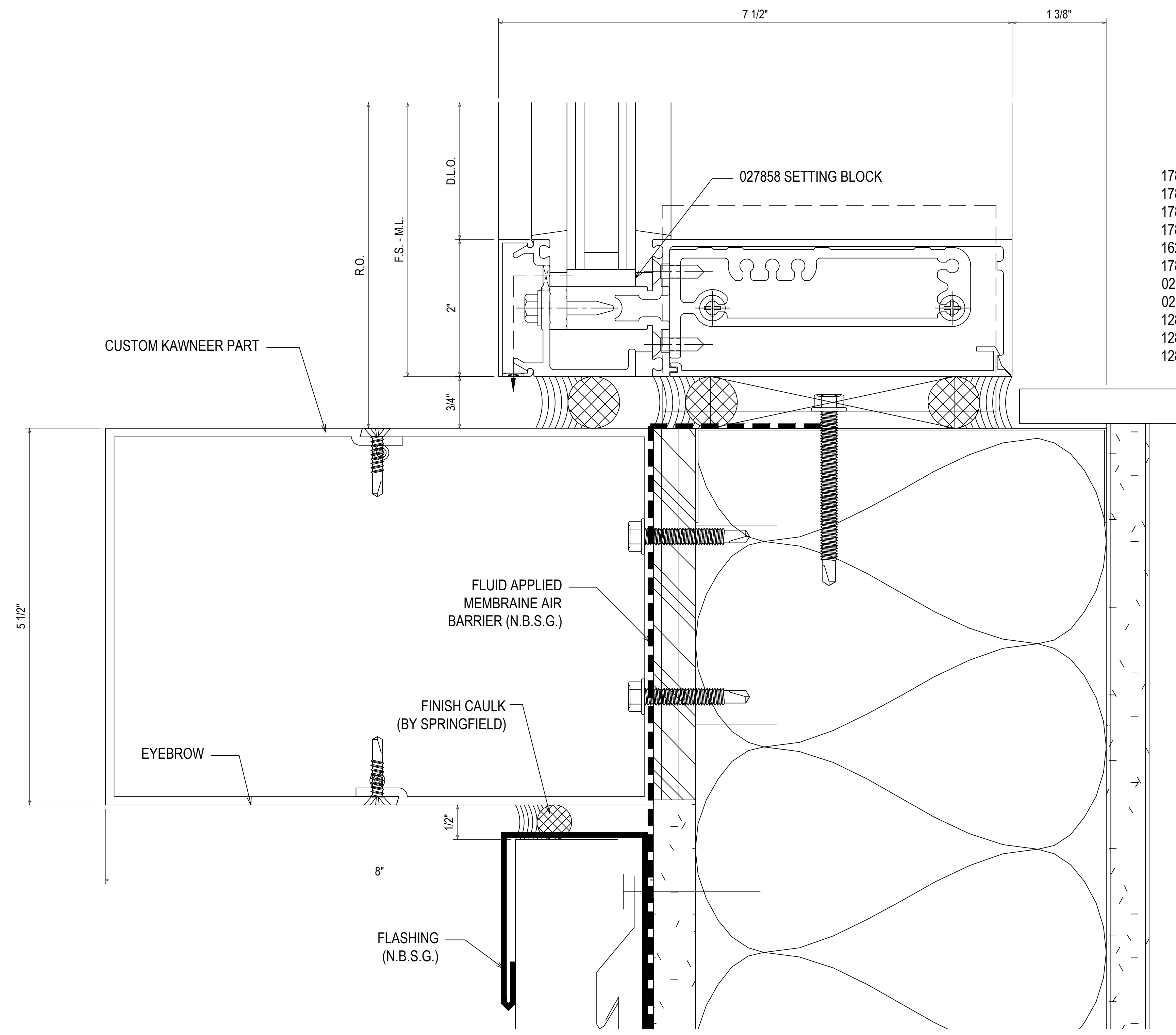
CONVOY OF HOPE  
GLOBAL HEADQUARTERS  
AND TRAINING CENTER  
7200 W. CARNAHAN STREET  
SPRINGFIELD, MO 65802

SPRINGFIELD GLASS COMPANY  
2503 NORTH OAK GROVE AVE.  
SPRINGFIELD, MO 65803  
P: 417.883.6555

PROJECT: CONVOY OF HOPE  
GLOBAL HEADQUARTERS  
AND TRAINING CENTER  
LOCATION: 7200 W. CARNAHAN STREET  
SPRINGFIELD, MO 65802

DRAWN BY:	DATE:
DJ	7.20.22
CHECKED BY:	DATE:
RD	7.20.22

3.11



15  
3.12

REF: 1/A6-12  
CW3 - CW4 - CW7 - CW8  
CW9 - CW10 - CW13 - CW14

- 178009 OPEN-BACK HEAD/SILL 7-1/2" SYSTEM
- 178302 7-1/2" SYSTEM SHEAR BLOCK HEAD/SILL
- 178305 PERIMETER PRESSURE PLATE
- 178006 COVER
- 162317 SHIM FILLER
- 178320 F-ANCHOR OR 178321 T-ANCHOR
- 027850 GLASS GASKET
- 027857 PRESSURE PLATE GASKET
- 128406 PRESSURE PLATE SCREW
- 128570 SHEAR BLOCK TO VERT. SCREW
- 128930 SHEAR BLOCK TO HORIZ. SCREW

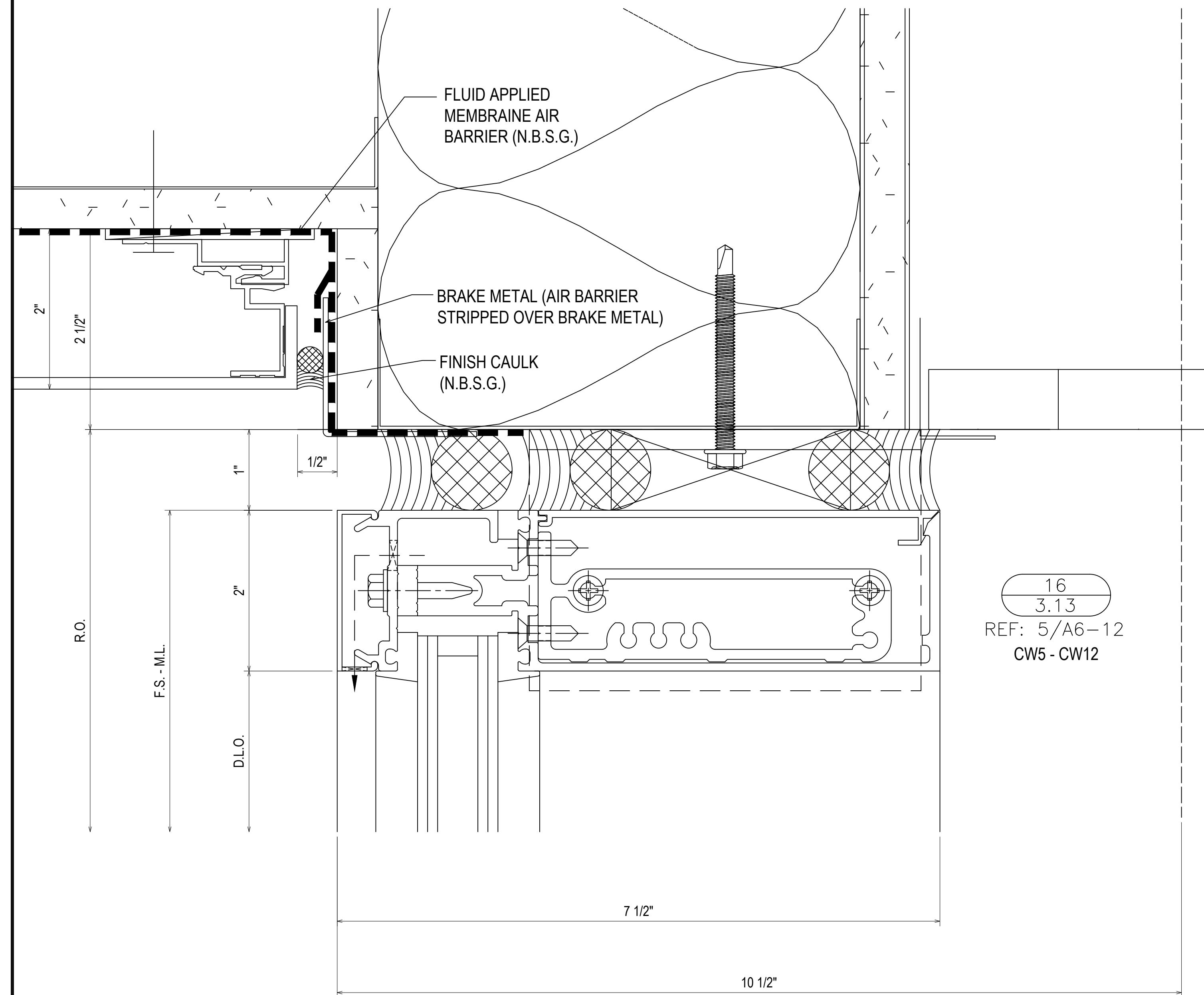
1ST SUBMISSION	7.20.22
1ST REVISION	8.3.22
NO	DESCRIPTION
NO	DATE

**SPRINGFIELD GLASS COMPANY**  
 2503 NORTH OAK GROVE AVE.  
 SPRINGFIELD, MO 65803  
 P: 417.883.6555

PROJECT: CONVOY OF HOPE  
 GLOBAL HEADQUARTERS  
 AND TRAINING CENTER  
 LOCATION: 7200 W. CARNAHAN STREET  
 SPRINGFIELD, MO 65802

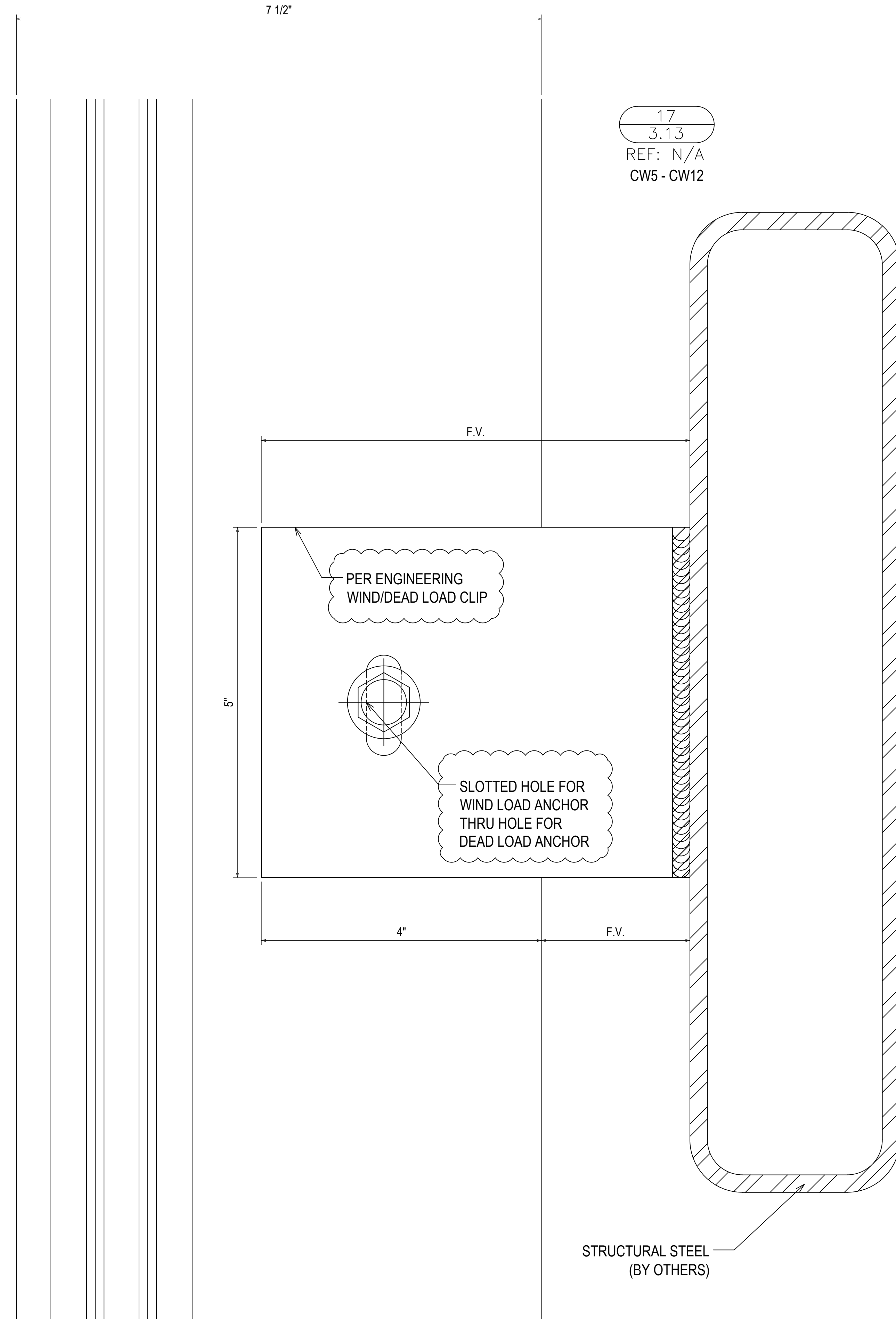
DRAWN BY:	DATE:
DJ	7.20.22
CHECKED BY:	DATE:
RD	7.20.22

**3.12**



16  
3.13  
REF: 5/A6-12  
CW5 - CW12

- 178009 OPEN-BACK HEAD/SILL 7-1/2" SYSTEM
- 178302 7-1/2" SYSTEM SHEAR BLOCK HEAD/SILL
- 178305 PERIMETER PRESSURE PLATE
- 178006 COVER
- 162317 SHIM FILLER
- 178320 F-ANCHOR OR 178321 T-ANCHOR
- 027850 GLASS GASKET
- 027857 PRESSURE PLATE GASKET
- 128406 PRESSURE PLATE SCREW
- 128570 SHEAR BLOCK TO VERT. SCREW
- 128930 SHEAR BLOCK TO HORIZ. SCREW



17  
3.13  
REF: N/A  
CW5 - CW12

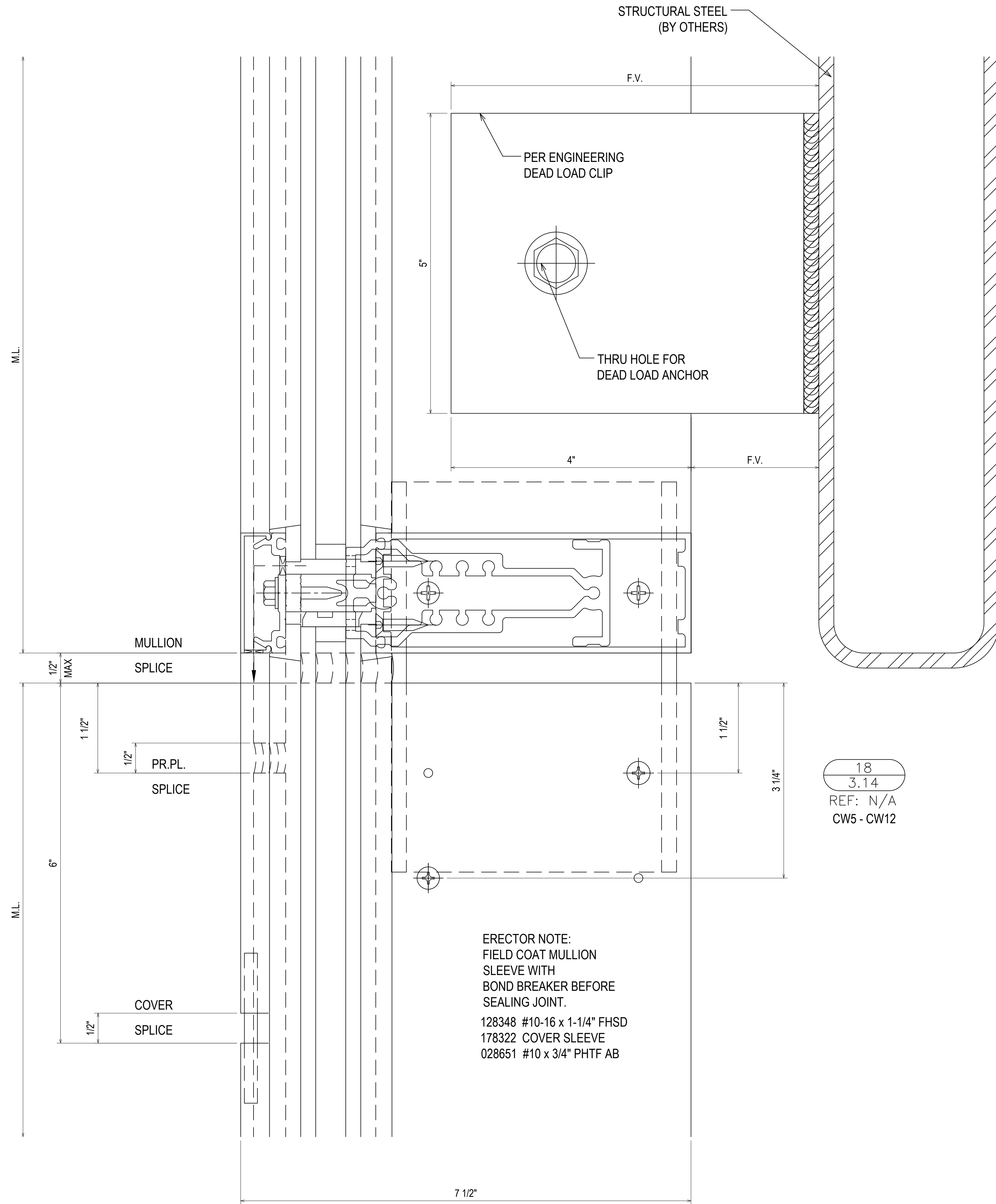
1ST SUBMISSION	7.20.22
1ST REVISION	8.3.22
NO	NO
DESCRIPTION	DATE
DRAWING SUBMISSION	

SPRINGFIELD GLASS COMPANY  
2503 NORTH OAK GROVE AVE.  
SPRINGFIELD, MO 65803  
P: 417.883.6555

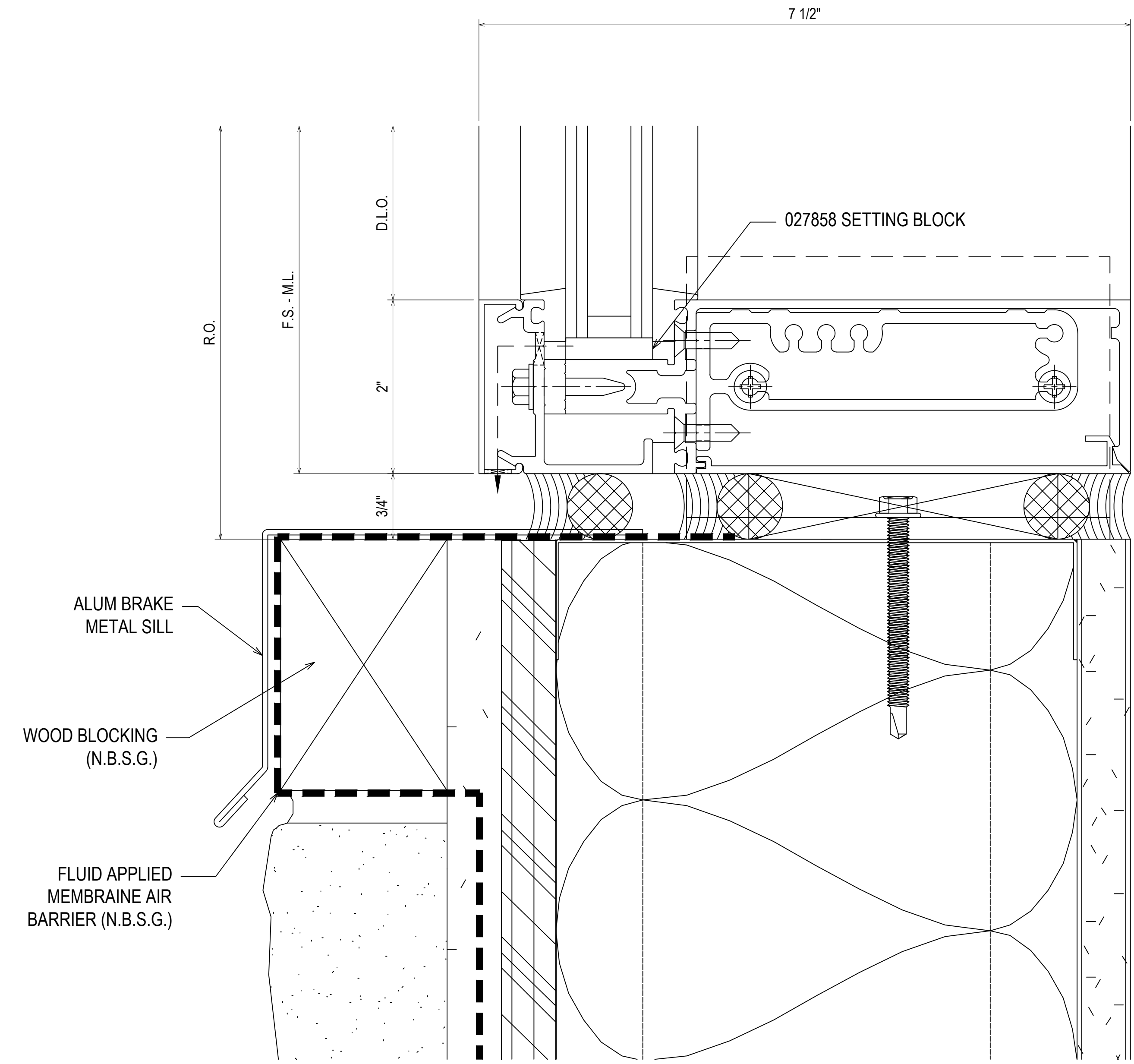
PROJECT: CONVOY OF HOPE  
GLOBAL HEADQUARTERS  
AND TRAINING CENTER  
LOCATION: 7200 W. CARNAHAN STREET  
SPRINGFIELD, MO 65802

DRAWN BY: DJ	DATE: 7.20.22
CHECKED BY: RD	DATE: 7.20.22

**3.13**



19  
3.14  
REF: 4/A5-10  
CW5 - CW12

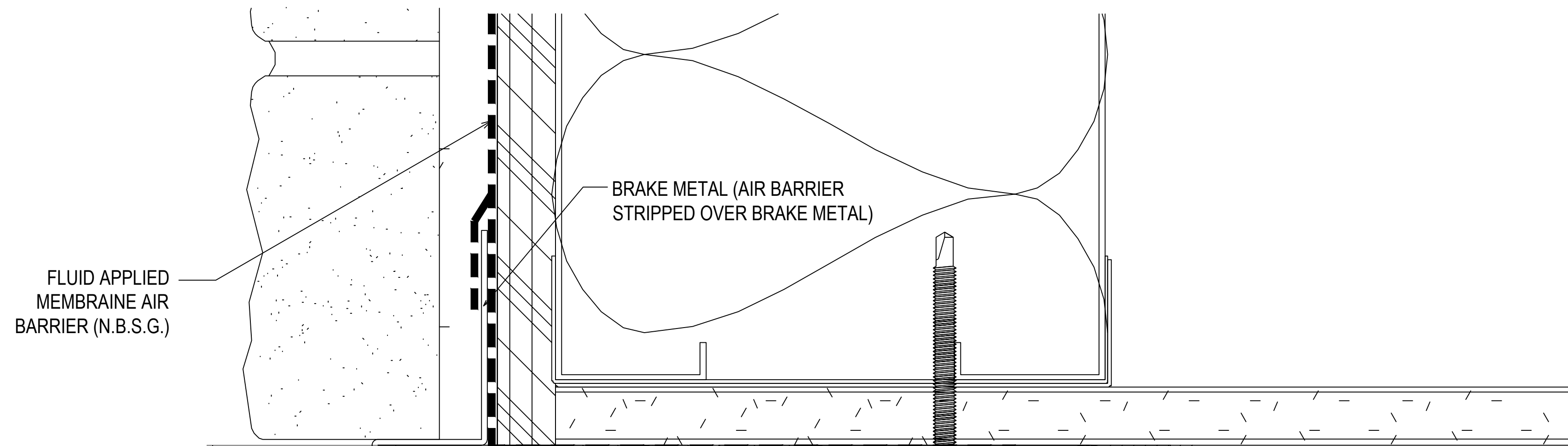


- 178009 OPEN-BACK HEAD/SILL 7-1/2" SYSTEM
- 178302 7-1/2" SYSTEM SHEAR BLOCK HEAD/SILL
- 178305 PERIMETER PRESSURE PLATE
- 178006 COVER
- 162317 SHIM FILLER
- 178320 F-ANCHOR OR 178321 T-ANCHOR
- 027850 GLASS GASKET
- 027857 PRESSURE PLATE GASKET
- 128406 PRESSURE PLATE SCREW
- 128570 SHEAR BLOCK TO VERT. SCREW
- 128930 SHEAR BLOCK TO HORIZ. SCREW

18  
3.14  
REF: N/A  
CW5 - CW12

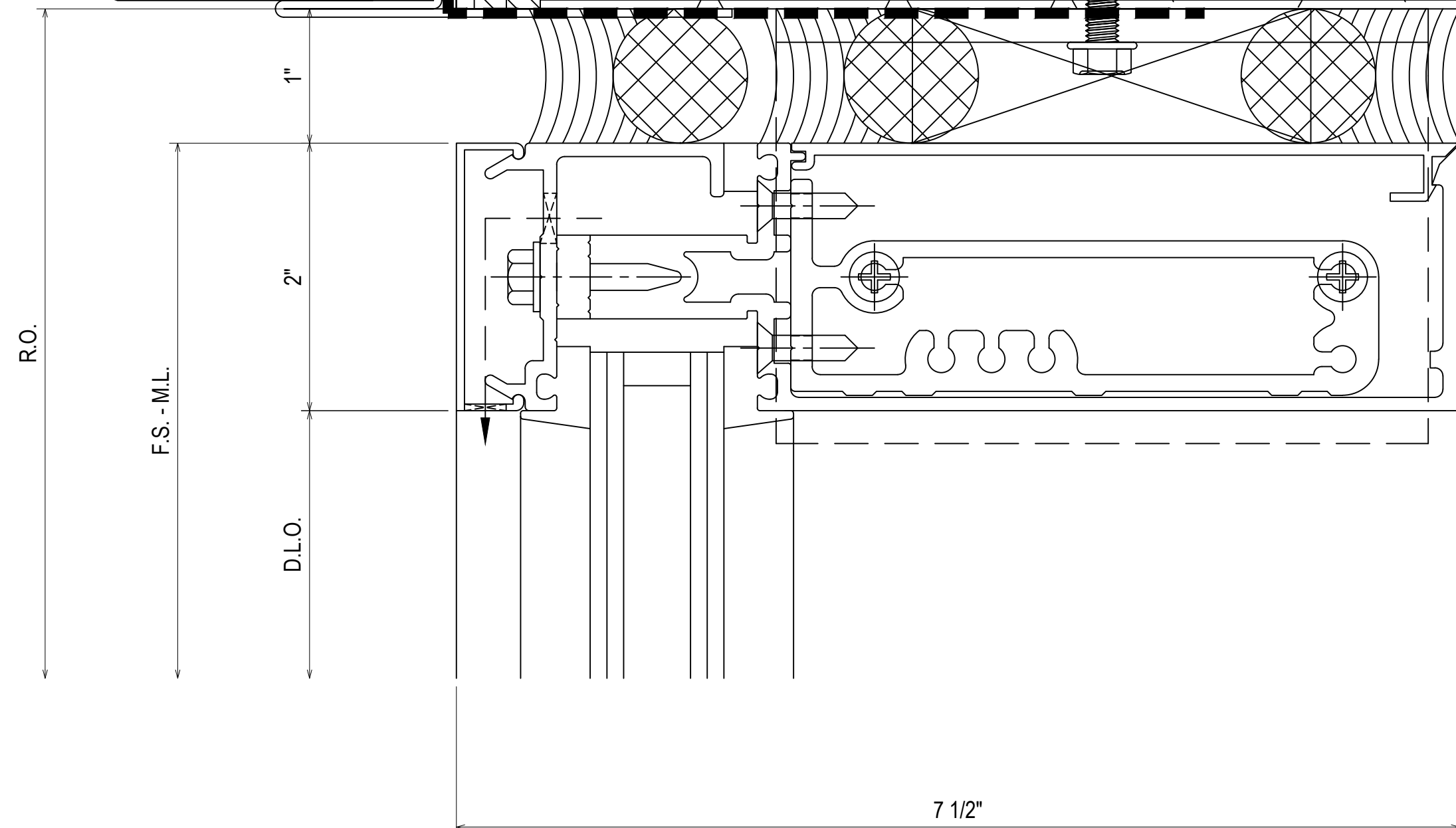
ERECTOR NOTE:  
FIELD COAT MULLION  
SLEEVE WITH  
BOND BREAKER BEFORE  
SEALING JOINT.  
128348 #10-16 x 1-1/4" FHSD  
178322 COVER SLEEVE  
028651 #10 x 3/4" PHTF AB

1ST SUBMISSION	7.20.22
1ST REVISION	8.3.22
NO	NO
DESCRIPTION	DATE
DRAWING SUBMISSION	
<b>SPRINGFIELD GLASS COMPANY</b> 2503 NORTH OAK GROVE AVE. SPRINGFIELD, MO 65803 P: 417.883.6555	
PROJECT:	CONVOY OF HOPE
GLOBAL HEADQUARTERS AND TRAINING CENTER	
LOCATION:	7200 W. CARNAHAN STREET SPRINGFIELD, MO 65802
DRAWN BY:	DJ
DATE:	7.20.22
CHECKED BY:	RD
DATE:	7.20.22
<b>3.14</b>	



FLUID APPLIED  
MEMBRANE AIR  
BARRIER (N.B.S.G.)

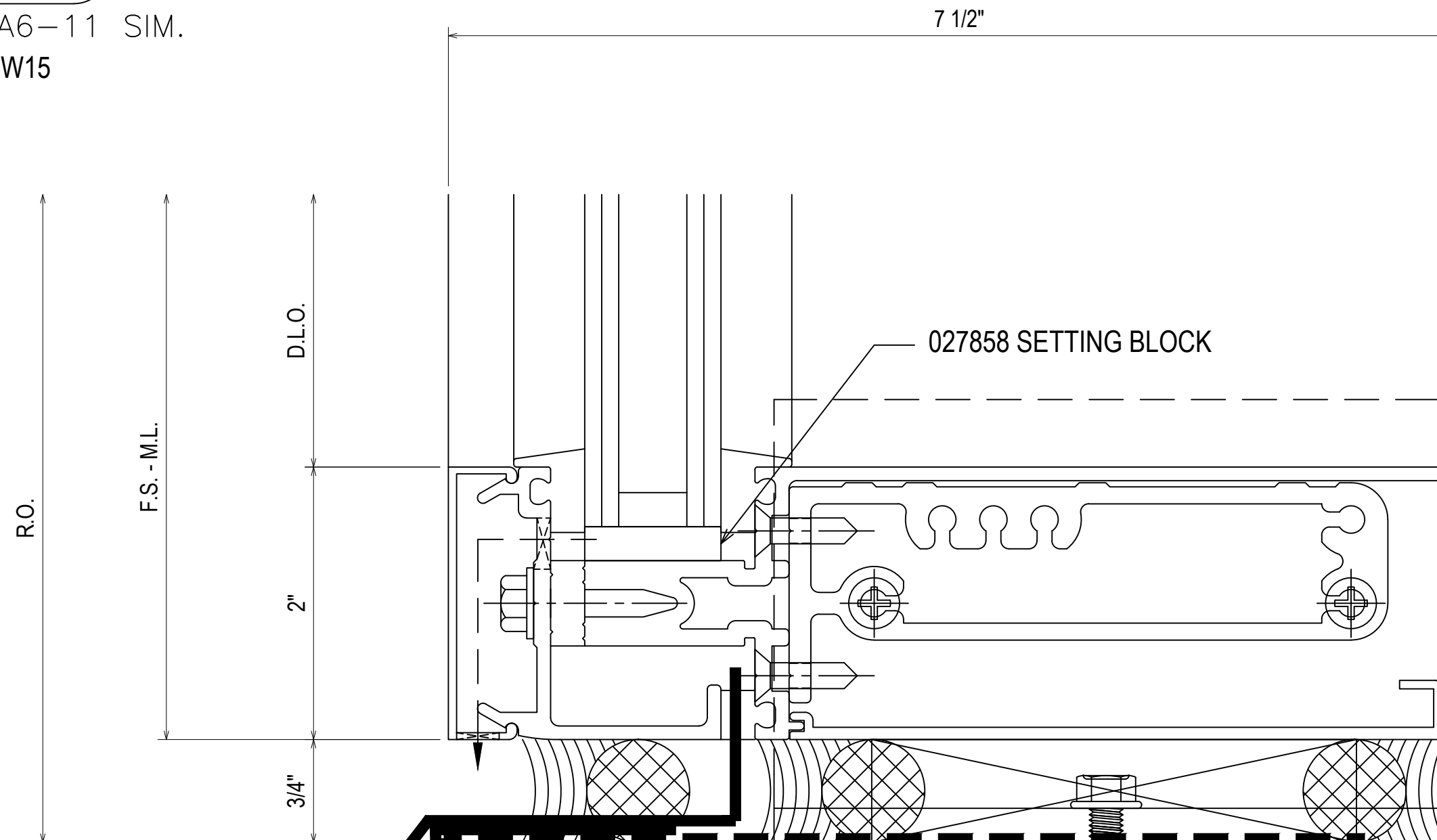
BRAKE METAL (AIR BARRIER  
STRIPPED OVER BRAKE METAL)



- 178009 OPEN-BACK HEAD/SILL 7-1/2" SYSTEM
- 178302 7-1/2" SYSTEM SHEAR BLOCK HEAD/SILL
- 178305 PERIMETER PRESSURE PLATE
- 178006 COVER
- 162317 SHIM FILLER
- 178320 F-ANCHOR OR 178321 T-ANCHOR
- 027850 GLASS GASKET
- 027857 PRESSURE PLATE GASKET
- 128406 PRESSURE PLATE SCREW
- 128570 SHEAR BLOCK TO VERT. SCREW
- 128930 SHEAR BLOCK TO HORIZ. SCREW

20  
3.15

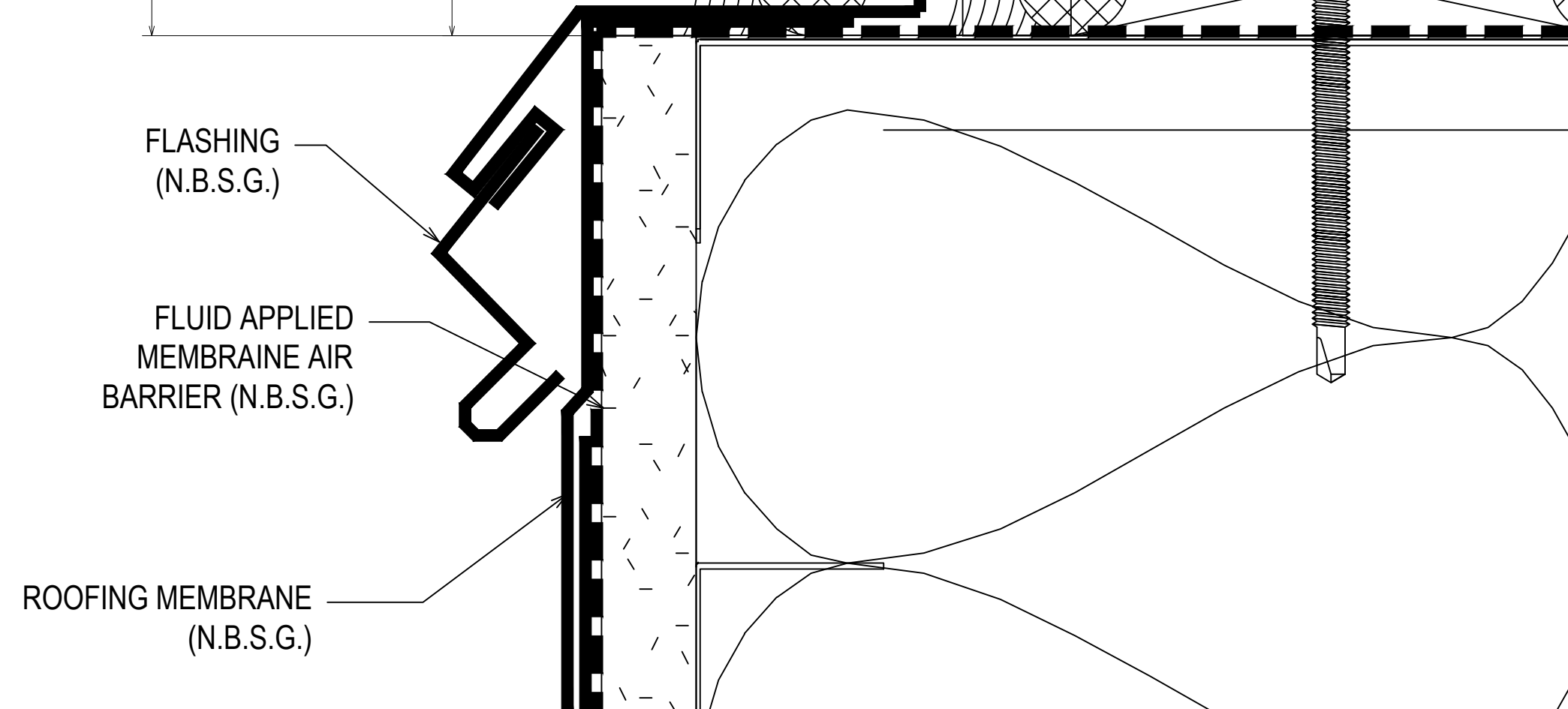
REF: 18/A6-11 SIM.  
CW15



21  
3.15

REF: 3/A5-10 SIM.  
CW15

- 178009 OPEN-BACK HEAD/SILL 7-1/2" SYSTEM
- 178302 7-1/2" SYSTEM SHEAR BLOCK HEAD/SILL
- 178305 PERIMETER PRESSURE PLATE
- 178006 COVER
- 162317 SHIM FILLER
- 178320 F-ANCHOR OR 178321 T-ANCHOR
- 027850 GLASS GASKET
- 027857 PRESSURE PLATE GASKET
- 128406 PRESSURE PLATE SCREW
- 128570 SHEAR BLOCK TO VERT. SCREW
- 128930 SHEAR BLOCK TO HORIZ. SCREW



FLASHING  
(N.B.S.G.)

FLUID APPLIED  
MEMBRANE AIR  
BARRIER (N.B.S.G.)

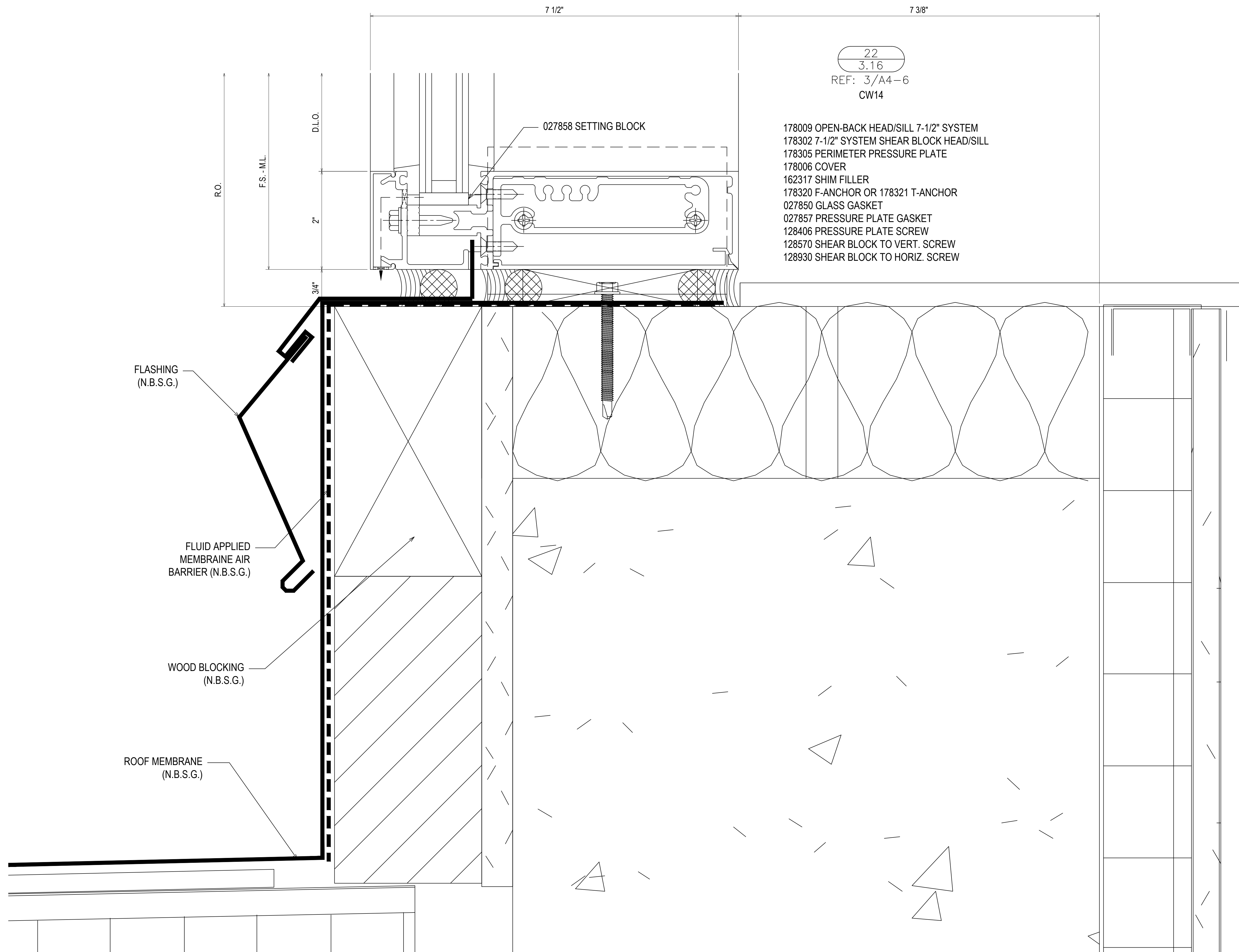
ROOFING MEMBRANE  
(N.B.S.G.)

1ST SUBMISSION	7.20.22
1ST REVISION	8.3.22
NO	DESCRIPTION
NO	DATE

PROJECT: CONVOY OF HOPE  
GLOBAL HEADQUARTERS  
AND TRAINING CENTER  
LOCATION: 7200 W. CARNAHAN STREET  
SPRINGFIELD, MO 65802

SPRINGFIELD GLASS COMPANY  
2503 NORTH OAK GROVE AVE.  
SPRINGFIELD, MO 65803  
P: 417.883.6555

DRAWN BY:	DATE:
DJ	7.20.22
CHECKED BY:	DATE:
RD	7.20.22



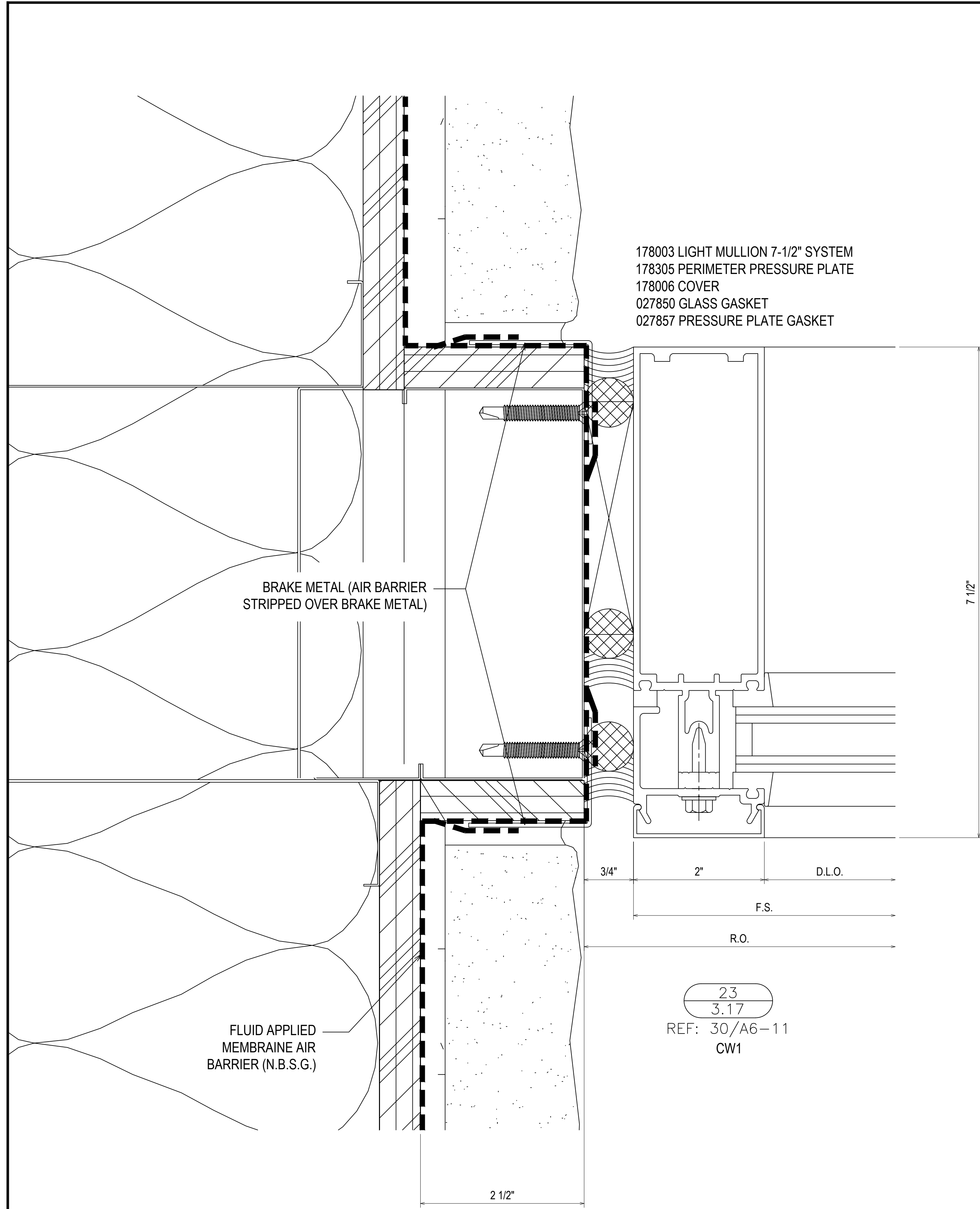
22  
3.16

REF: 3/A4-6  
CW14

- 178009 OPEN-BACK HEAD/SILL 7-1/2" SYSTEM
- 178302 7-1/2" SYSTEM SHEAR BLOCK HEAD/SILL
- 178305 PERIMETER PRESSURE PLATE
- 178006 COVER
- 162317 SHIM FILLER
- 178320 F-ANCHOR OR 178321 T-ANCHOR
- 027850 GLASS GASKET
- 027857 PRESSURE PLATE GASKET
- 128406 PRESSURE PLATE SCREW
- 128570 SHEAR BLOCK TO VERT. SCREW
- 128930 SHEAR BLOCK TO HORIZ. SCREW

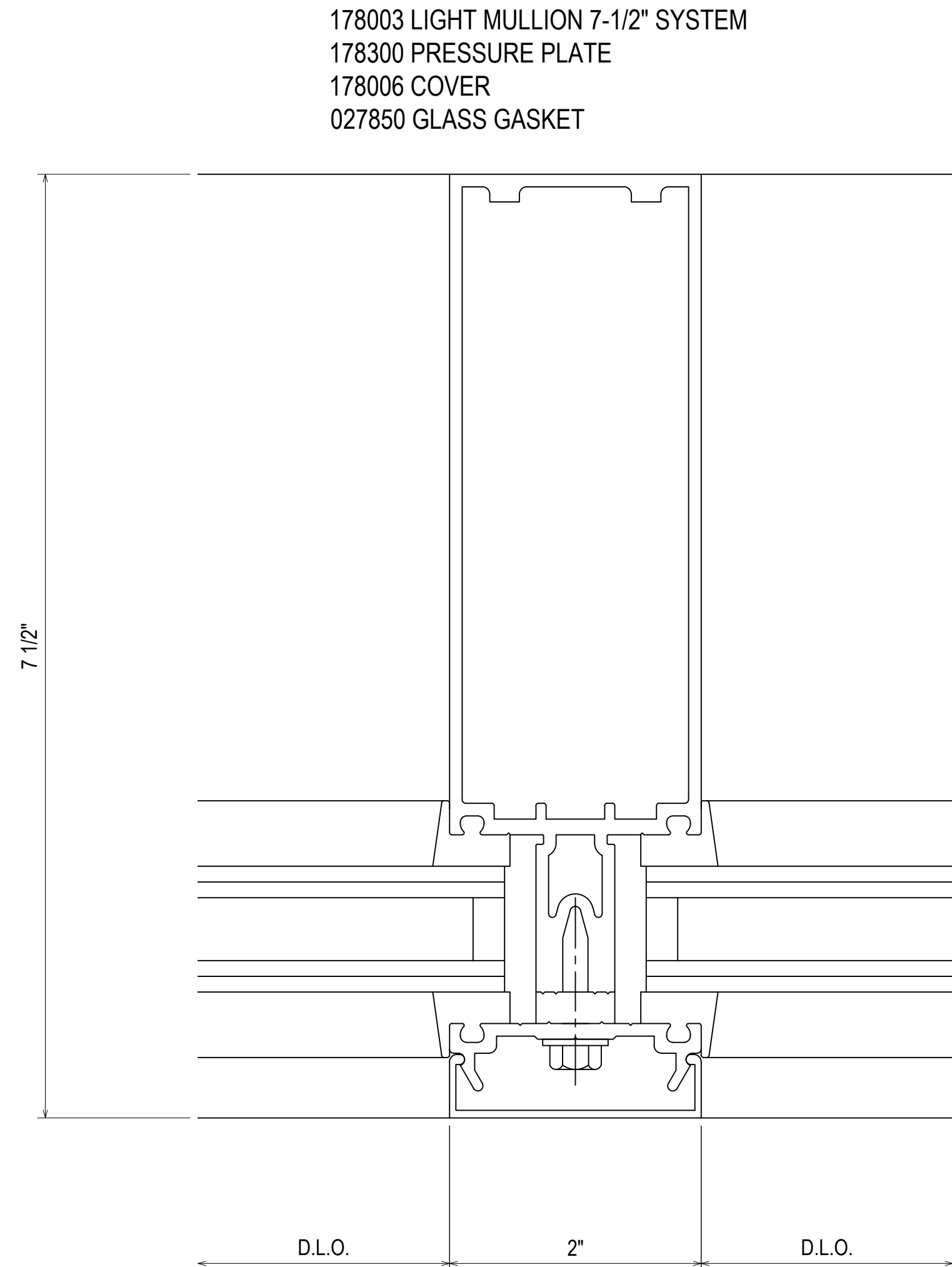
PROJECT:	CONVOY OF HOPE GLOBAL HEADQUARTERS AND TRAINING CENTER	LOCATION:	7200 W. CARNAHAN STREET SPRINGFIELD, MO 65802
1ST SUBMISSION	7.20.22	1ST REVISION	8.3.22
NO	DESCRIPTION	DATE	DRAWING SUBMISSION
SPRINGFIELD GLASS COMPANY 2503 NORTH OAK GROVE AVE. SPRINGFIELD, MO 65803 P: 417.883.6555			
DRAWN BY:	DJ	DATE:	7.20.22
CHECKED BY:	RD	DATE:	7.20.22
<b>3.16</b>			





178003 LIGHT MULLION 7-1/2" SYSTEM  
 178305 PERIMETER PRESSURE PLATE  
 178006 COVER  
 027850 GLASS GASKET  
 027857 PRESSURE PLATE GASKET

23  
 3.17  
 REF: 30/A6-11  
 CW1



178003 LIGHT MULLION 7-1/2" SYSTEM  
 178300 PRESSURE PLATE  
 178006 COVER  
 027850 GLASS GASKET

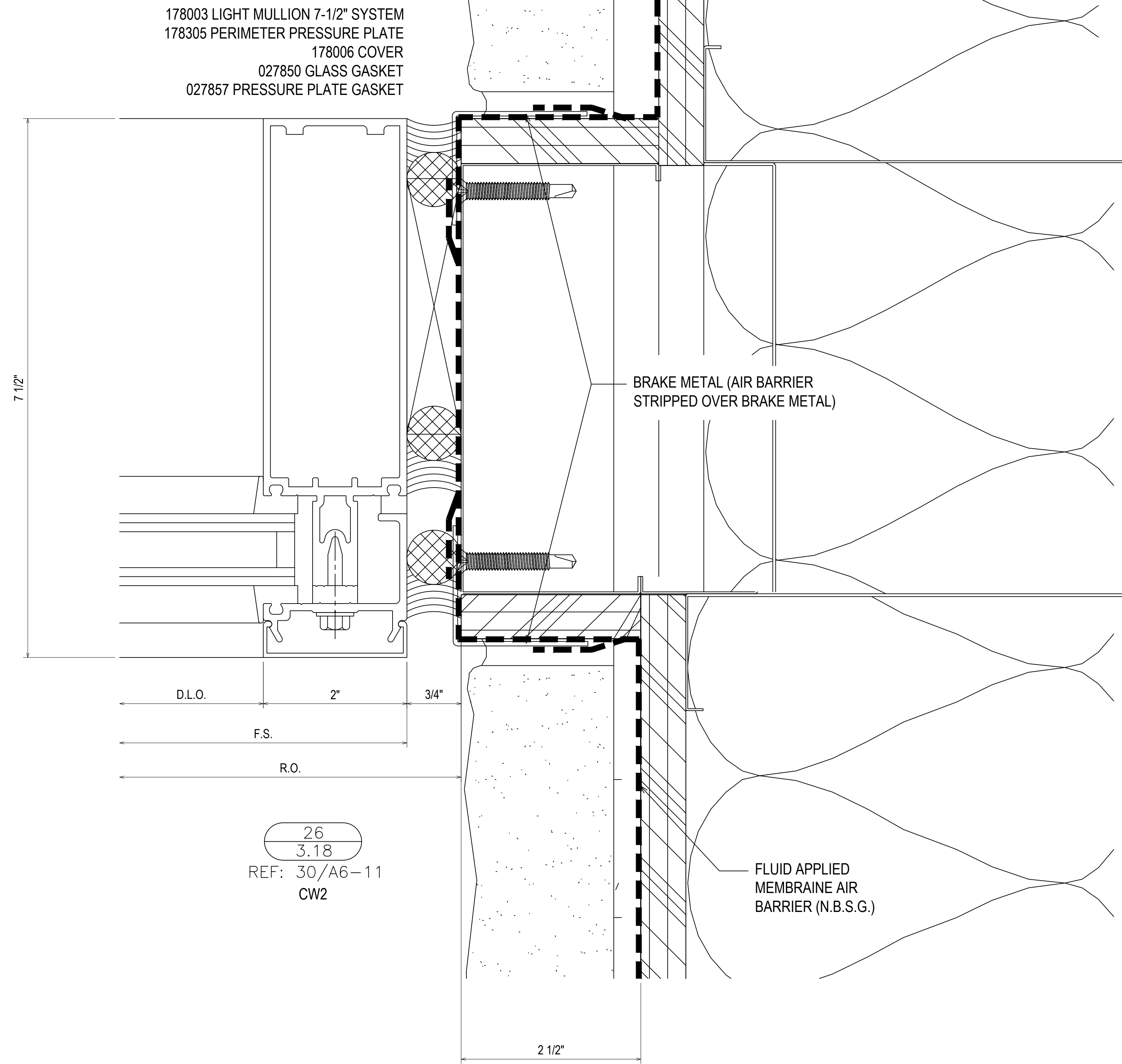
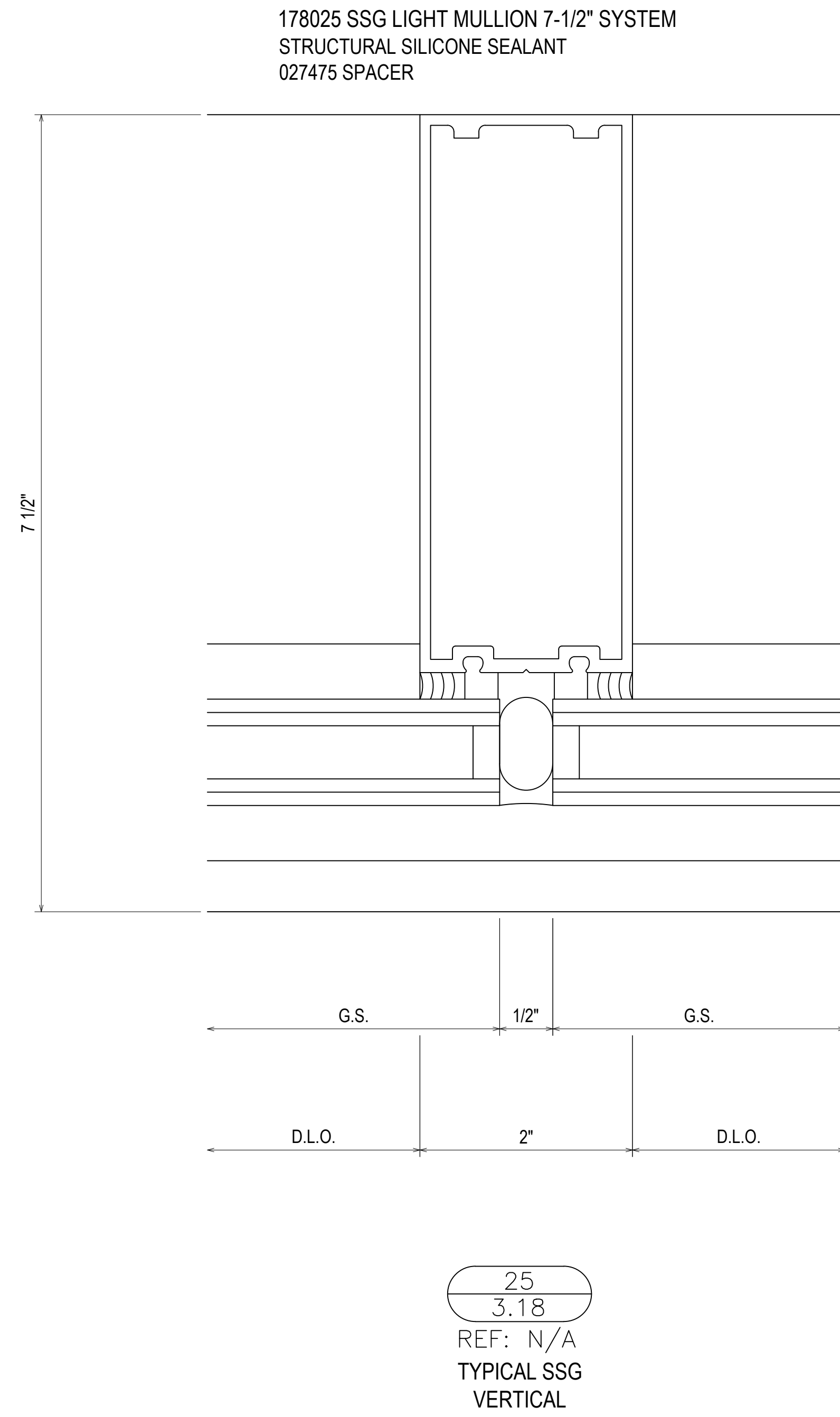
24  
 3.17  
 REF: N/A  
 TYPICAL CAPTURED  
 VERTICAL

1ST SUBMISSION	7.20.22
1ST REVISION	8.3.22
NO	DESCRIPTION
NO	DATE

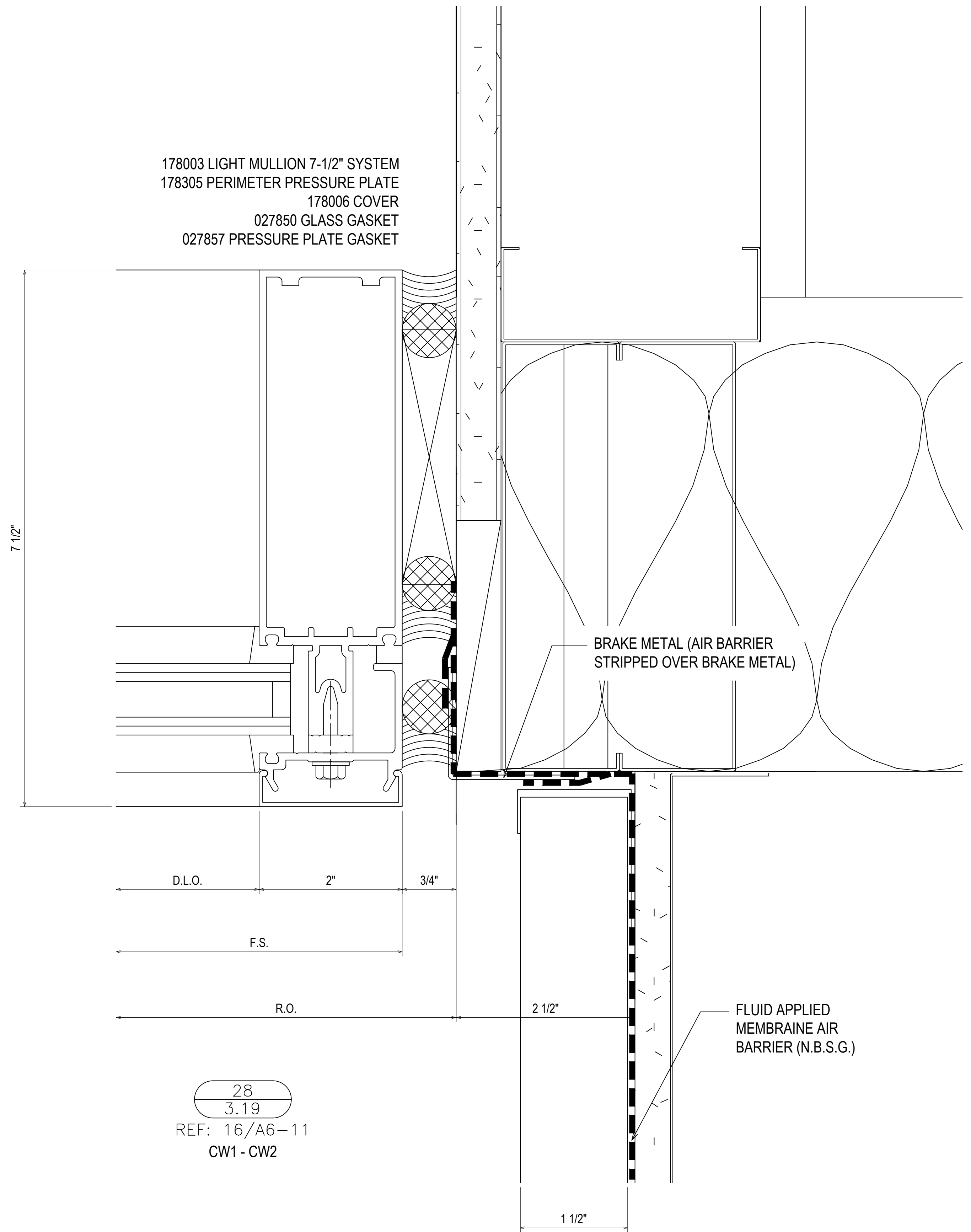
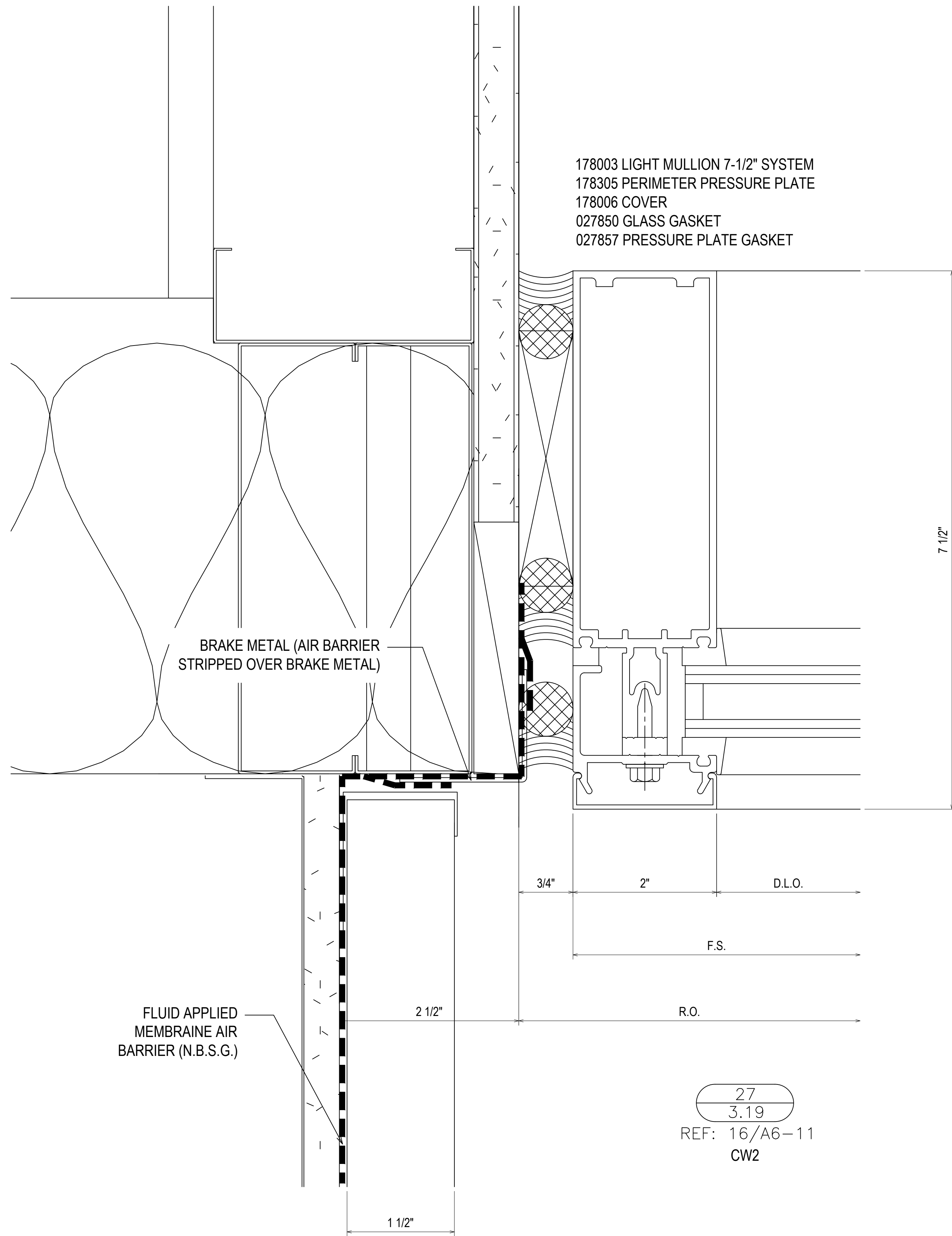
SPRINGFIELD GLASS COMPANY  
 2503 NORTH OAK GROVE AVE.  
 SPRINGFIELD, MO 65803  
 P: 417.883.6555

PROJECT: CONVOY OF HOPE  
 GLOBAL HEADQUARTERS  
 AND TRAINING CENTER  
 LOCATION: 7200 W. CARNAHAN STREET  
 SPRINGFIELD, MO 65802

DRAWN BY: DJ	DATE: 7.20.22
CHECKED BY: RD	DATE: 7.20.22



PROJECT:	CONVOY OF HOPE GLOBAL HEADQUARTERS AND TRAINING CENTER	LOCATION:	7200 W. CARNAHAN STREET SPRINGFIELD, MO 65802
DRAWN BY:	DJ	DATE:	7.20.22
CHECKED BY:	RD	DATE:	7.20.22
<b>3.18</b>			
SPRINGFIELD GLASS COMPANY 2503 NORTH OAK GROVE AVE. SPRINGFIELD, MO 65803 P: 417.883.6555			
1ST SUBMISSION	7.20.22	NO	DESCRIPTION
1ST REVISION	8.3.22		DRAWING SUBMISSION

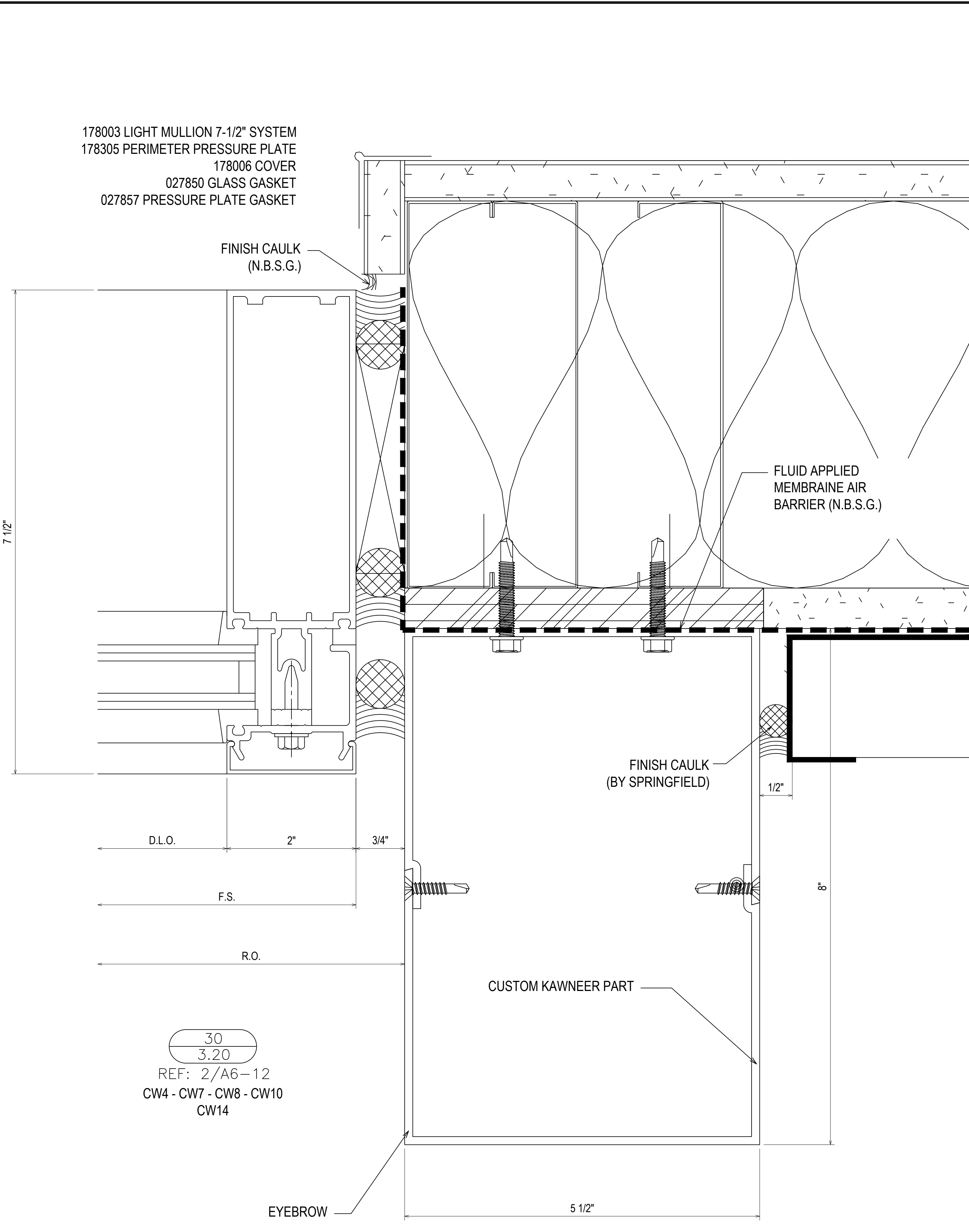
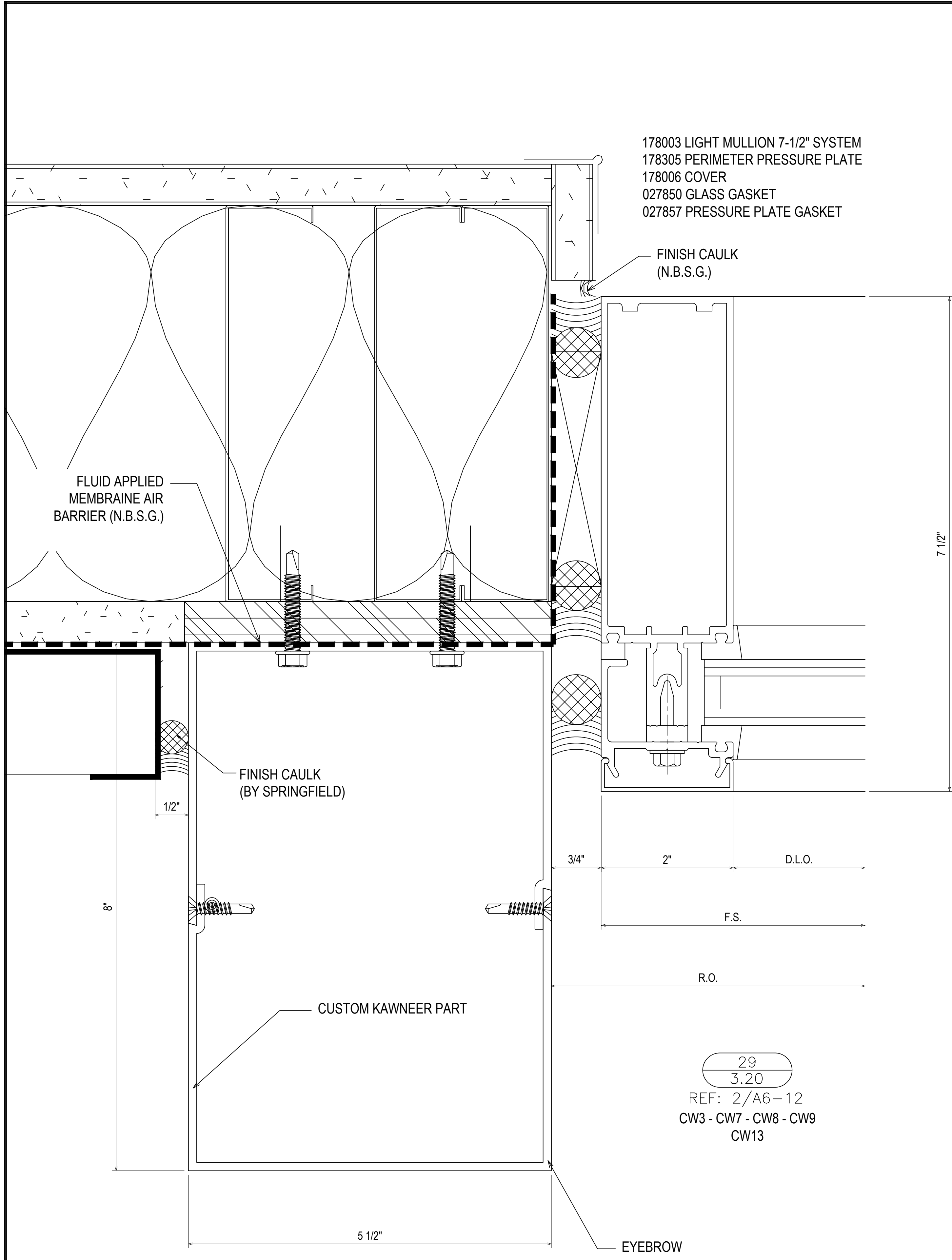


7.20.22	1ST SUBMISSION
8.3.22	1ST REVISION
NO	DESCRIPTION
	DRAWING SUBMISSION

SPRINGFIELD GLASS COMPANY  
 2503 NORTH OAK GROVE AVE.  
 SPRINGFIELD, MO 65803  
 P: 417.883.6555

PROJECT: CONVOY OF HOPE  
 GLOBAL HEADQUARTERS  
 AND TRAINING CENTER  
 LOCATION: 7200 W. CARNAHAN STREET  
 SPRINGFIELD, MO 65802

DRAWN BY: DJ	DATE: 7.20.22
CHECKED BY: RD	DATE: 7.20.22



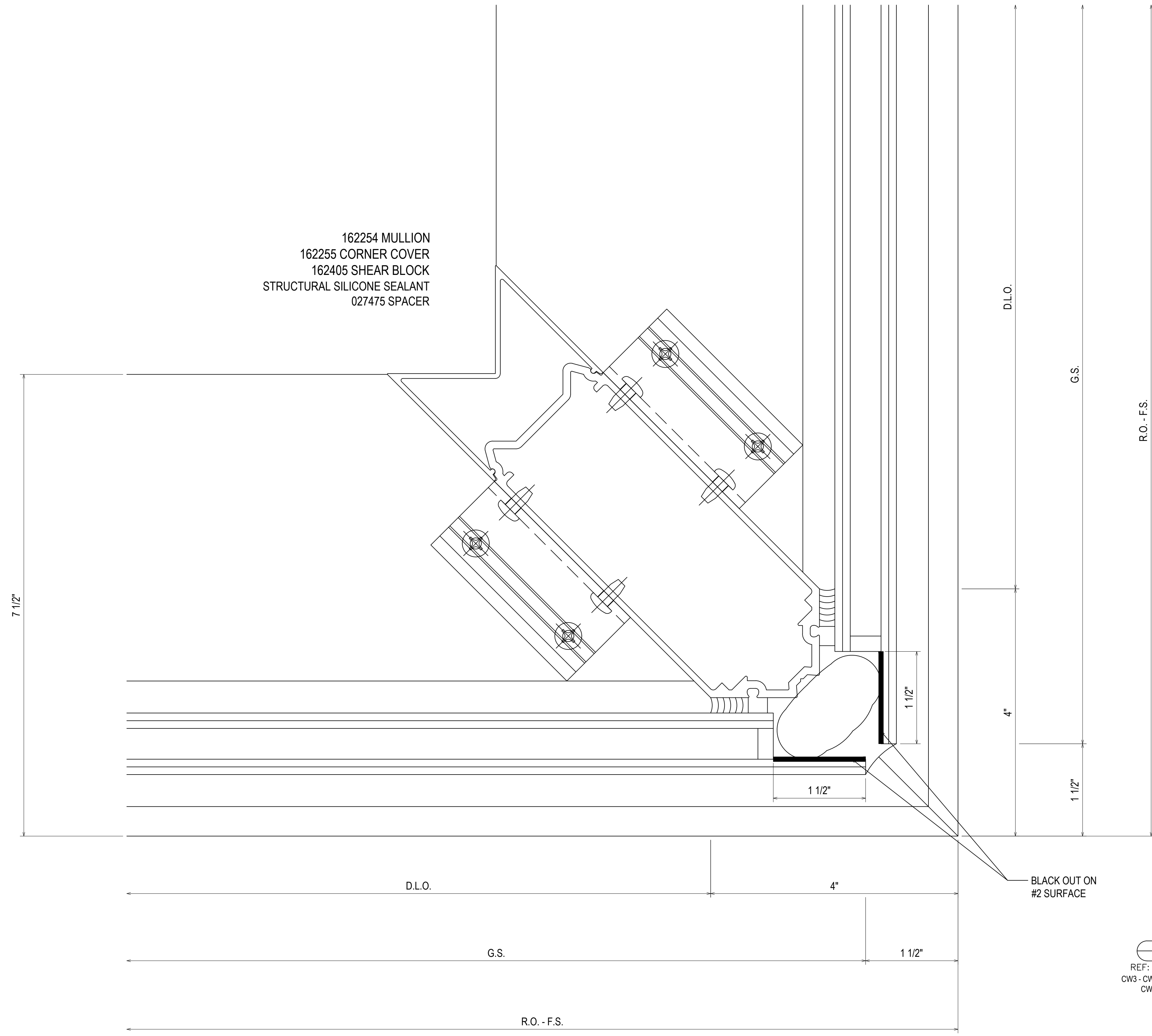
7.20.22	1ST SUBMISSION	NO	DESCRIPTION	DATE
8.3.22	1ST REVISION			

SPRINGFIELD GLASS COMPANY  
 2503 NORTH OAK GROVE AVE.  
 SPRINGFIELD, MO 65803  
 P: 417.883.6555

PROJECT: CONVOY OF HOPE  
 GLOBAL HEADQUARTERS  
 AND TRAINING CENTER

LOCATION: 7200 W. CARNAHAN STREET  
 SPRINGFIELD, MO 65802

DRAWN BY: DJ	DATE: 7.20.22
CHECKED BY: RD	DATE: 7.20.22



31  
 3.21  
 REF: 4/A6-12  
 CW3 - CW4 - CW9 - CW10  
 CW13 - CW14

1ST SUBMISSION	7.20.22
1ST REVISION	8.3.22
NO	DESCRIPTION
	DATE
DRAWING SUBMISSION	

SPRINGFIELD GLASS COMPANY  
 2503 NORTH OAK GROVE AVE.  
 SPRINGFIELD, MO 65803  
 P: 417.883.6555

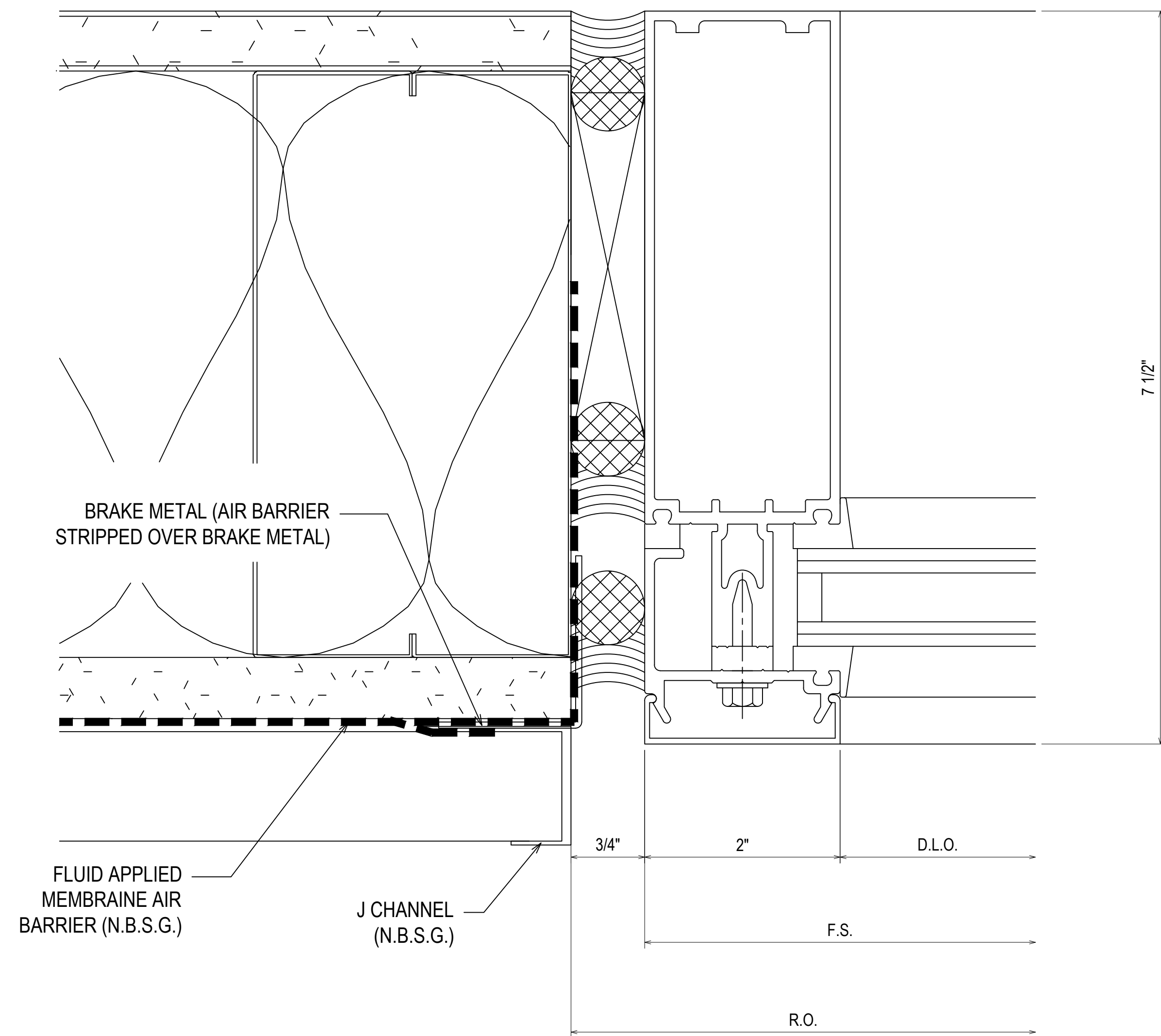
PROJECT: CONVOY OF HOPE  
 GLOBAL HEADQUARTERS  
 AND TRAINING CENTER

LOCATION: 7200 W. CARNAHAN STREET  
 SPRINGFIELD, MO 65802

DRAWN BY:	DATE:
DJ	7.20.22
CHECKED BY:	DATE:
RD	7.20.22

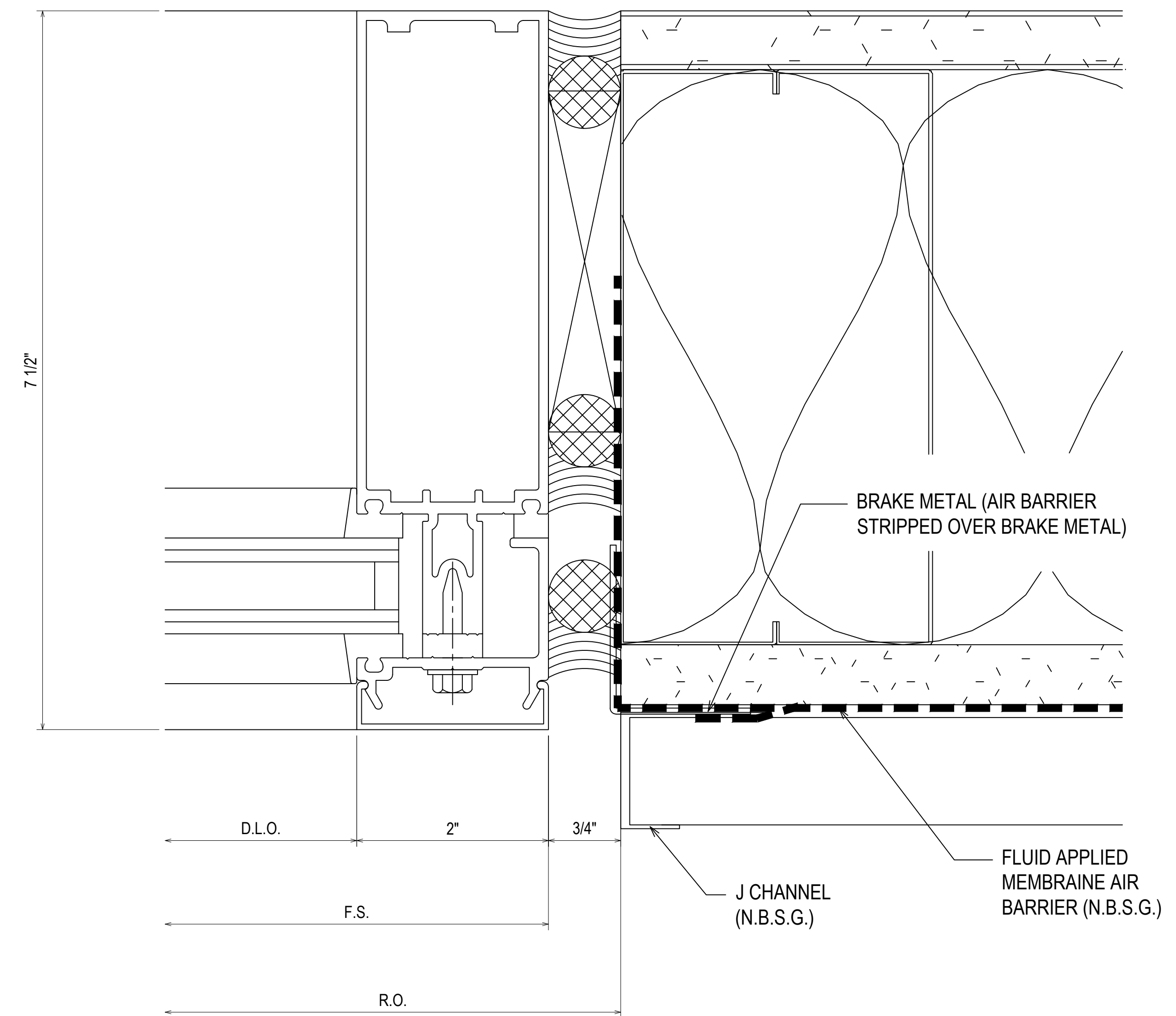
**3.21**

178003 LIGHT MULLION 7-1/2" SYSTEM  
 178305 PERIMETER PRESSURE PLATE  
 178006 COVER  
 027850 GLASS GASKET  
 027857 PRESSURE PLATE GASKET



32  
 3.22  
 REF: 21/A6-11  
 CW5 - CW15

178003 LIGHT MULLION 7-1/2" SYSTEM  
 178305 PERIMETER PRESSURE PLATE  
 178006 COVER  
 027850 GLASS GASKET  
 027857 PRESSURE PLATE GASKET



33  
 3.22  
 REF: 21/A6-11  
 CW12 - CW15

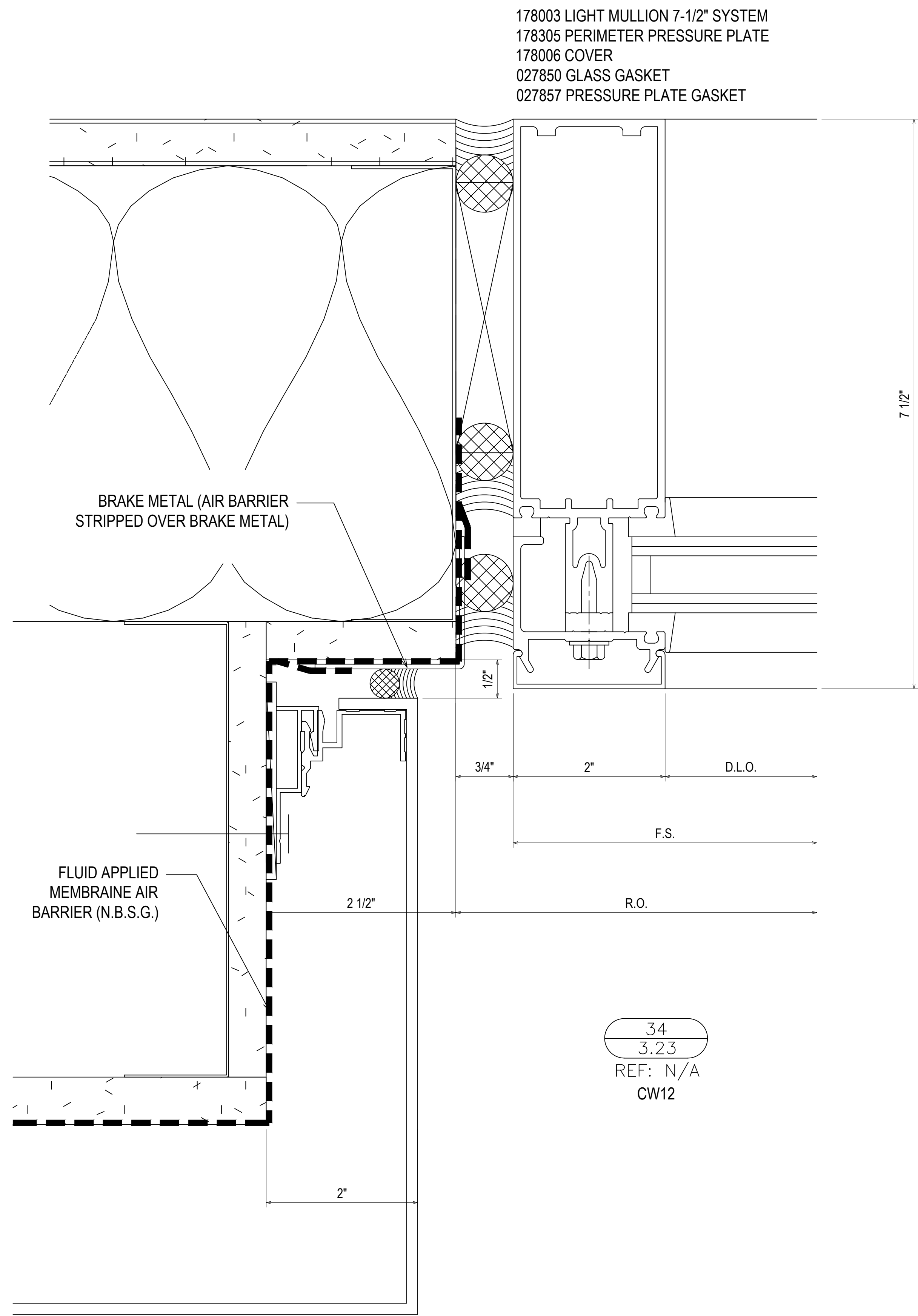
1ST SUBMISSION	7.20.22
1ST REVISION	8.3.22
NO	DESCRIPTION
NO	DATE

SPRINGFIELD GLASS COMPANY  
 2503 NORTH OAK GROVE AVE.  
 SPRINGFIELD, MO 65803  
 P: 417.883.6555

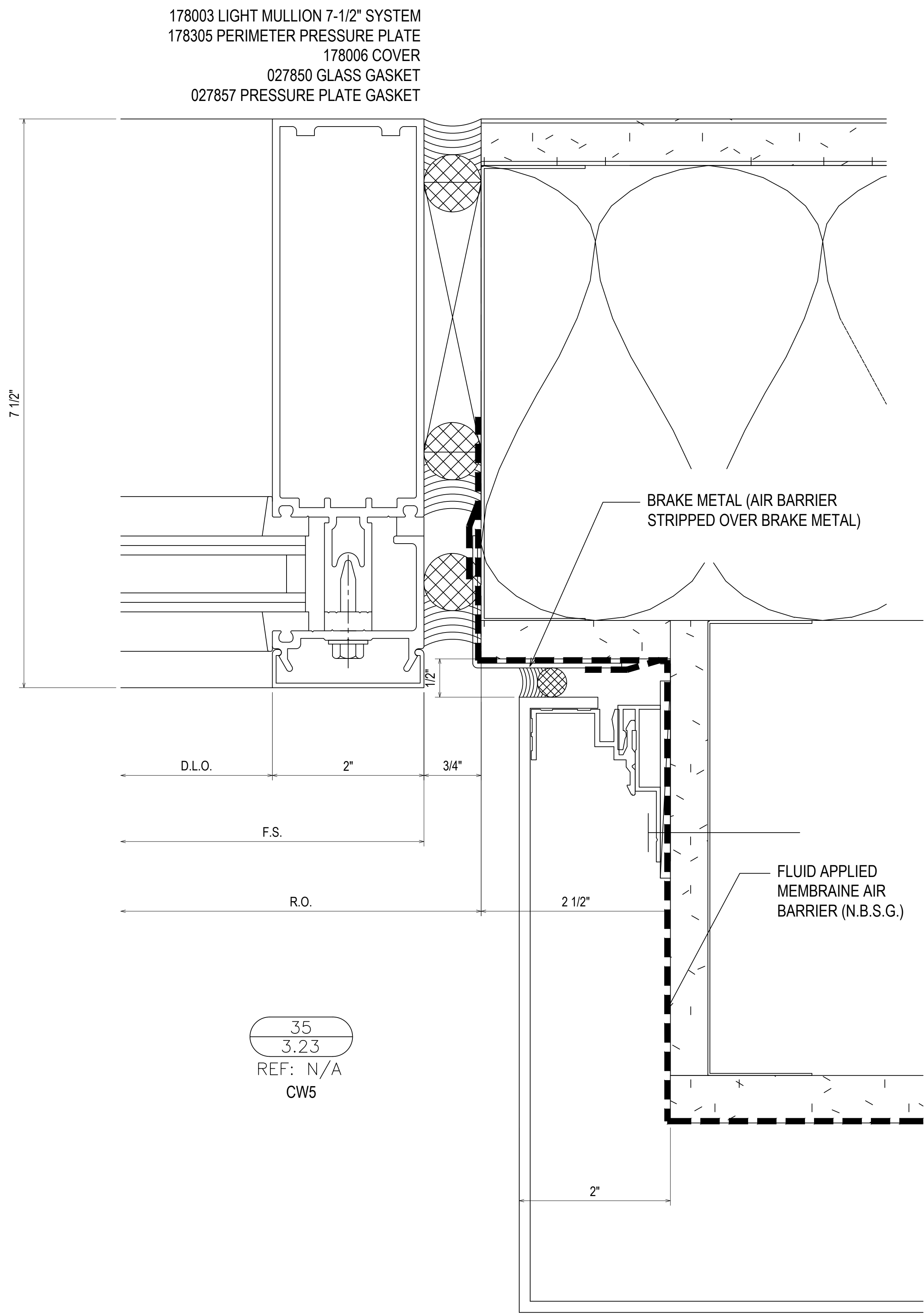
PROJECT: CONVOY OF HOPE  
 GLOBAL HEADQUARTERS  
 AND TRAINING CENTER  
 LOCATION: 7200 W. CARNAHAN STREET  
 SPRINGFIELD, MO 65802

DRAWN BY:	DATE:
DJ	7.20.22
CHECKED BY:	DATE:
RD	7.20.22

3.22



34  
 3.23  
 REF: N/A  
 CW12



35  
 3.23  
 REF: N/A  
 CW5

1ST SUBMISSION	7.20.22
1ST REVISION	8.3.22
NO	DESCRIPTION
NO	DATE
DRAWING SUBMISSION	

PROJECT: CONVOY OF HOPE  
 GLOBAL HEADQUARTERS  
 AND TRAINING CENTER

LOCATION: 7200 W. CARNAHAN STREET  
 SPRINGFIELD, MO 65802

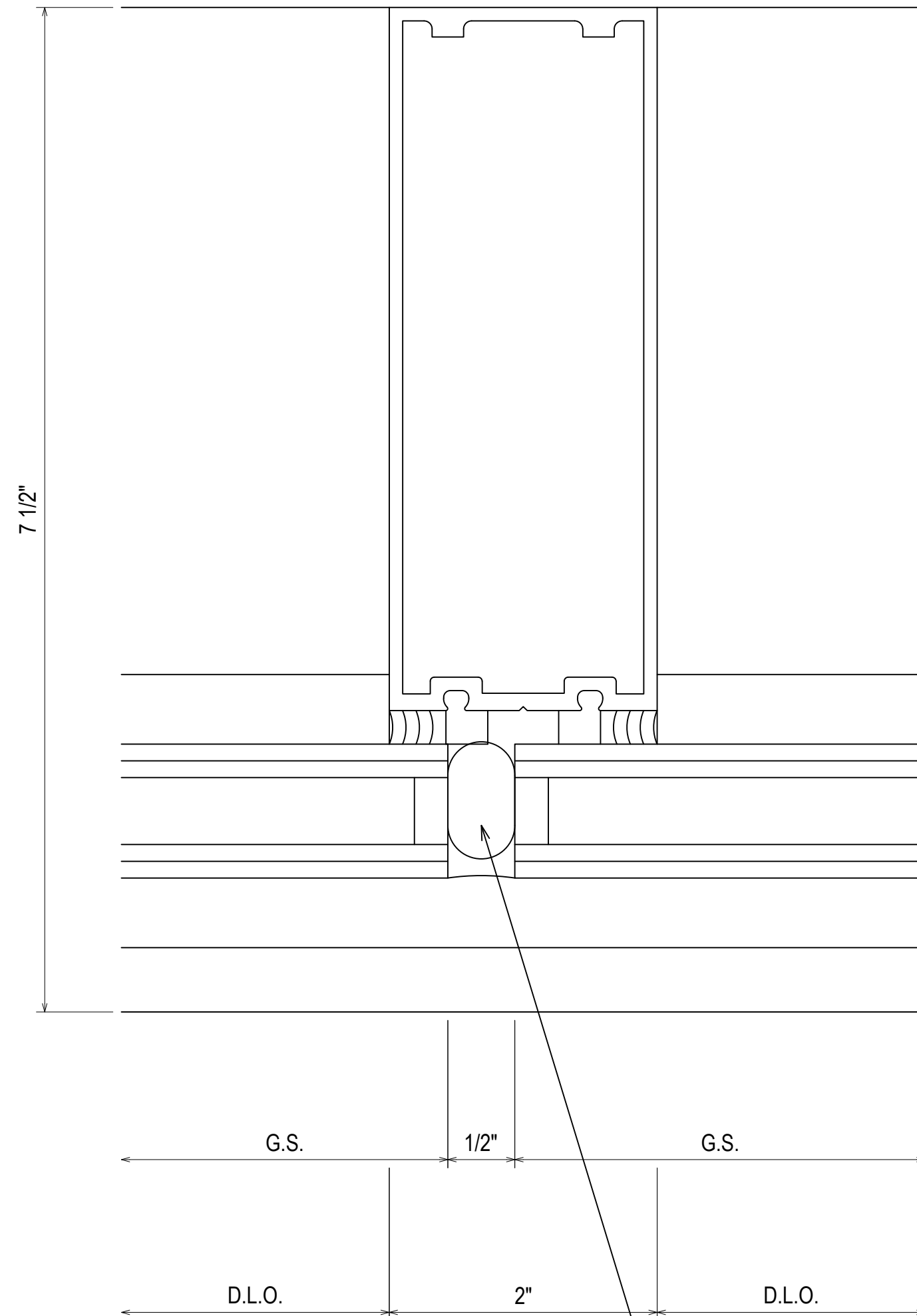
SPRINGFIELD GLASS COMPANY  
 2503 NORTH OAK GROVE AVE.  
 SPRINGFIELD, MO 65803  
 P: 417.883.6555

DRAWN BY: DJ DATE: 7.20.22  
 CHECKED BY: RD DATE: 7.20.22

**3.23**

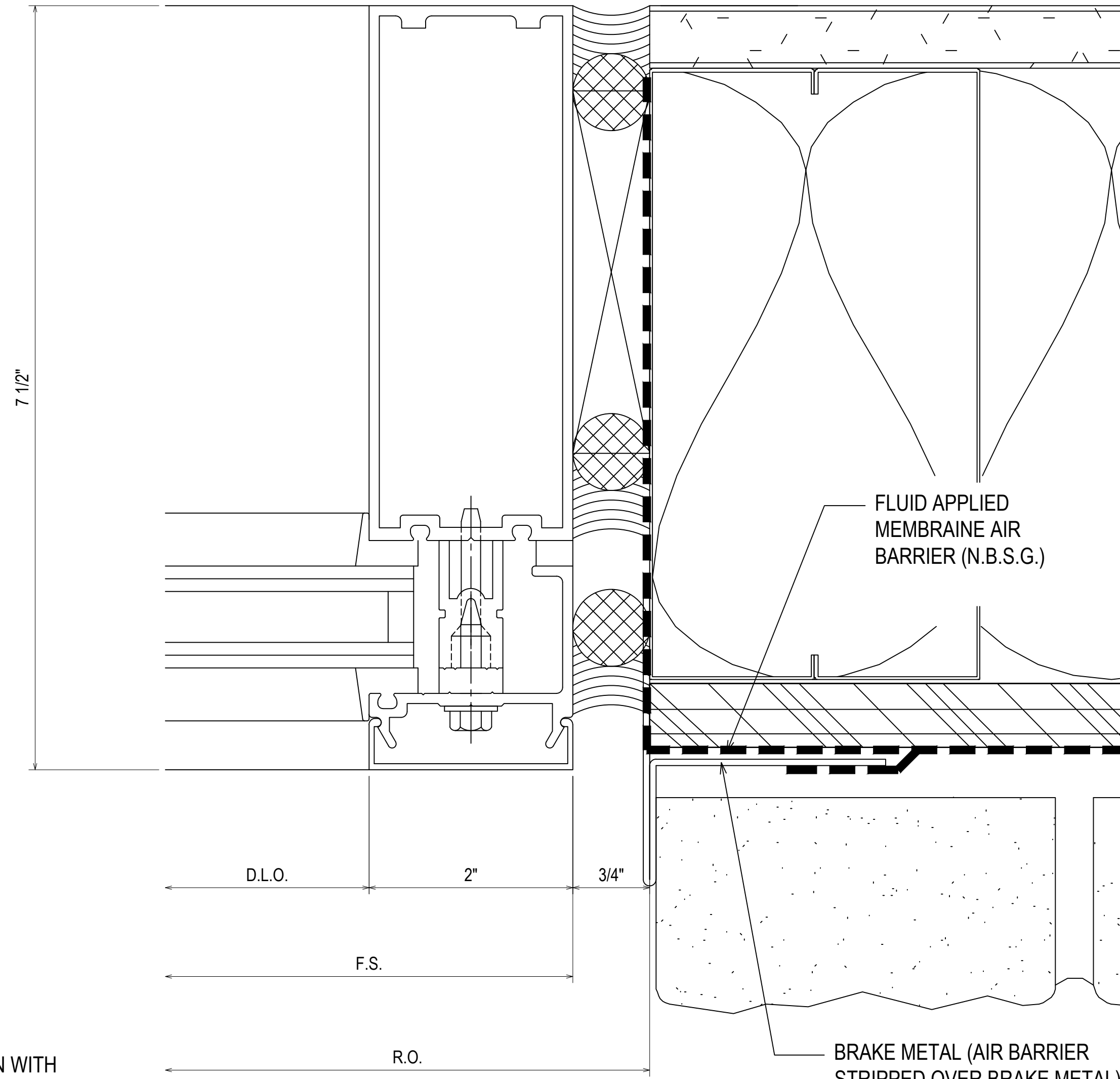
178025 SSG LIGHT MULLION 7-1/2" SYSTEM  
 STRUCTURAL SILICONE SEALANT  
 027475 SPACER

178025 SSG LIGHT MULLION 7-1/2" SYSTEM  
 169022 APPLIED TONGUE  
 178305 PERIMETER PRESSURE PLATE  
 178006 COVER  
 027850 GLASS GASKET  
 027857 PRESSURE PLATE GASKET

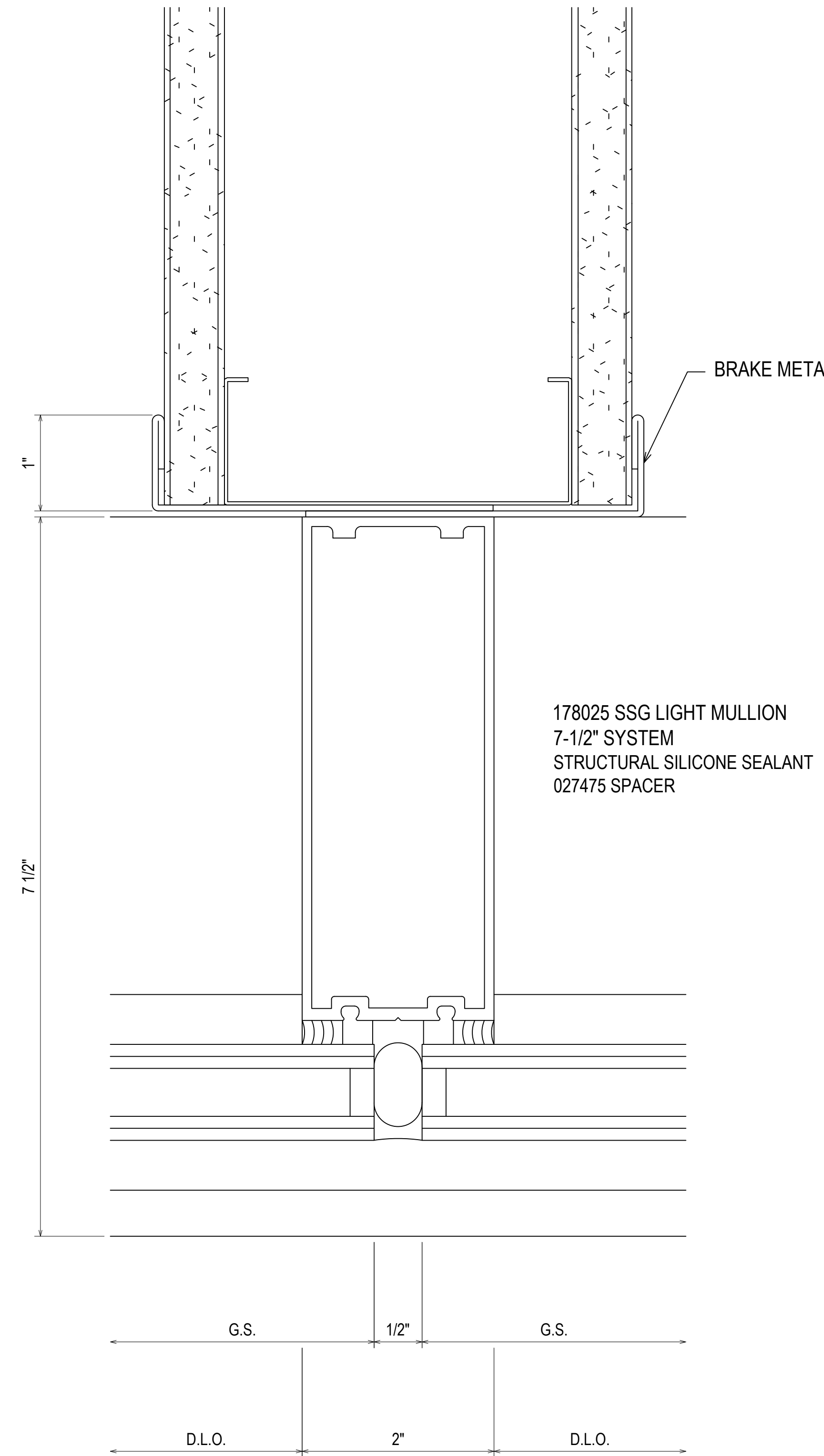


36  
 3.24  
 REF: N/A  
 CW14

GLASS IS OFFSET TO ALIGN WITH HOW THE GLASS FITS IN THE JAMB WITH AN SSG ADAPTOR. THIS WAS DONE IN ORDER TO ELIMINATE THE NEED FOR NOTCHING THE GLASS.



37  
 3.24  
 REF: 13/A6-11 SIM.  
 CW14



38  
 3.24  
 REF: 27/A6-11  
 CW3 - CW4 - CW7 - CW8  
 CW9 - CW10 - CW14

1ST SUBMISSION	7.20.22
1ST REVISION	8.3.22
NO	DESCRIPTION
NO	DATE

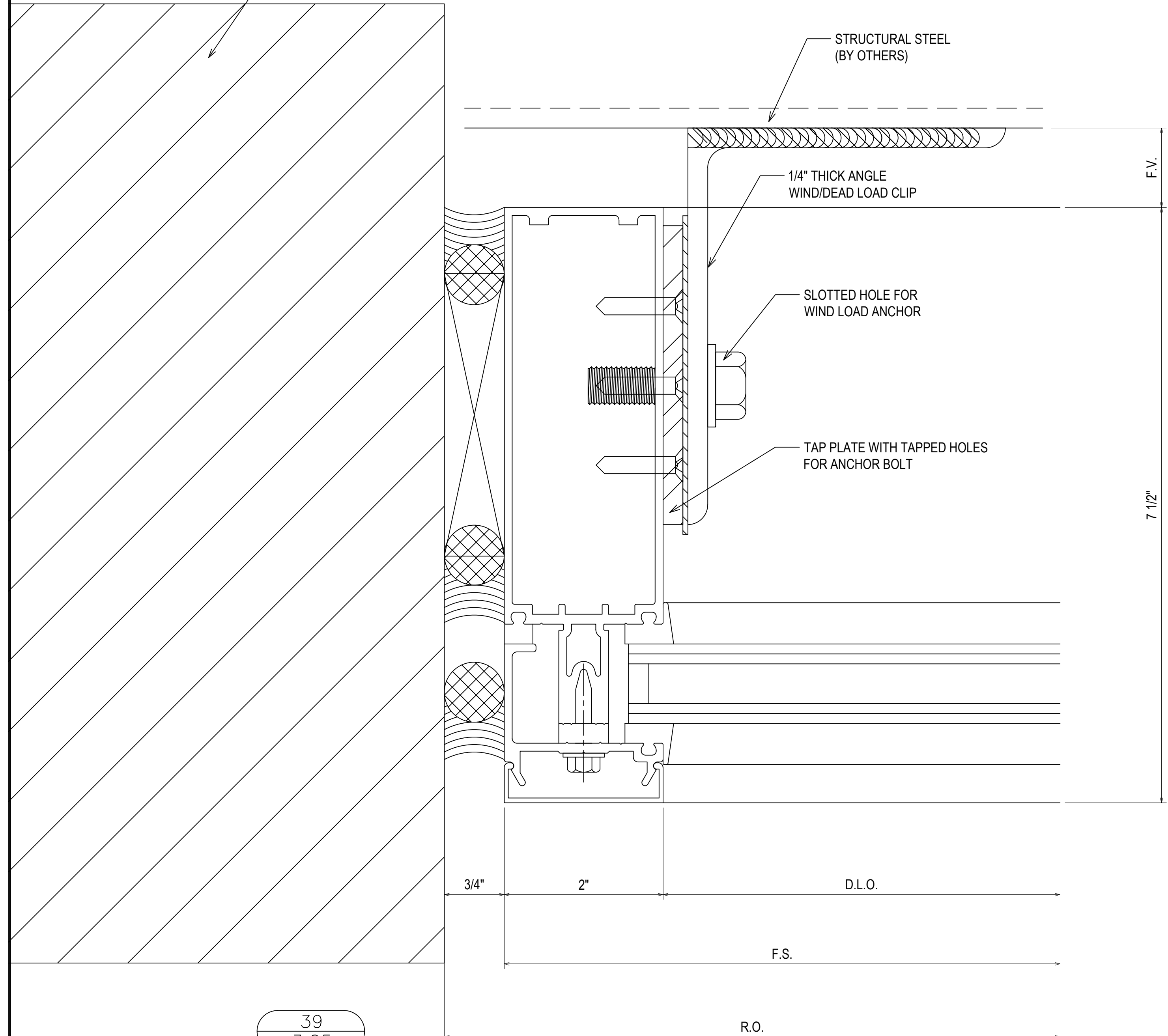
SPRINGFIELD GLASS COMPANY  
 2503 NORTH OAK GROVE AVE.  
 SPRINGFIELD, MO 65803  
 P: 417.883.6555

PROJECT: CONVOY OF HOPE  
 GLOBAL HEADQUARTERS  
 AND TRAINING CENTER  
 LOCATION: 7200 W. CARNAHAN STREET  
 SPRINGFIELD, MO 65802

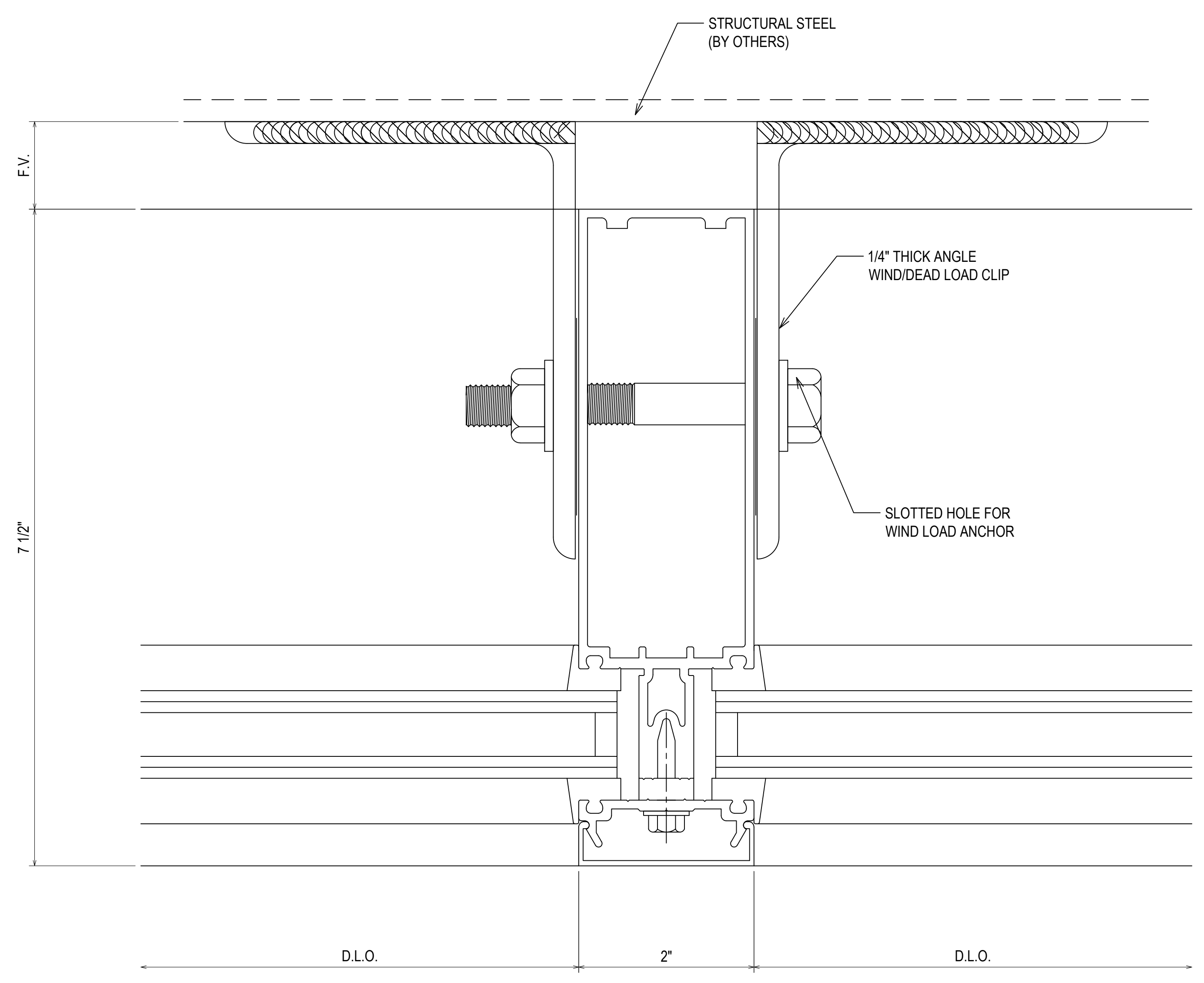
DRAWN BY:	DATE:
DJ	7.20.22
CHECKED BY:	DATE:
RD	7.20.22



REFERENCE PREVIOUS DETAILS  
FOR WALL CONDITIONS



39  
3.25  
REF: N/A  
CW1 - CW2



40  
3.25  
REF: N/A  
CW1 - CW2

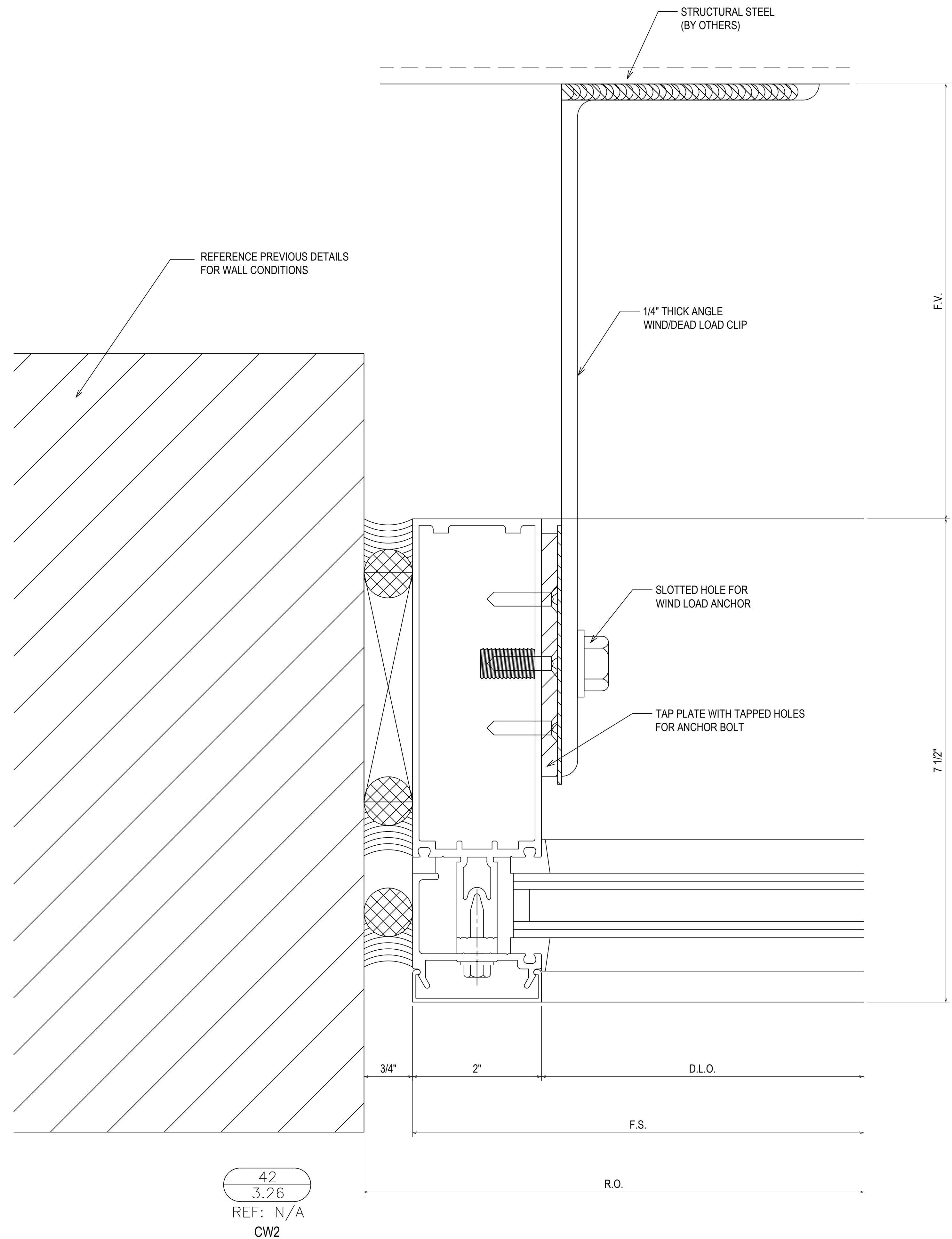
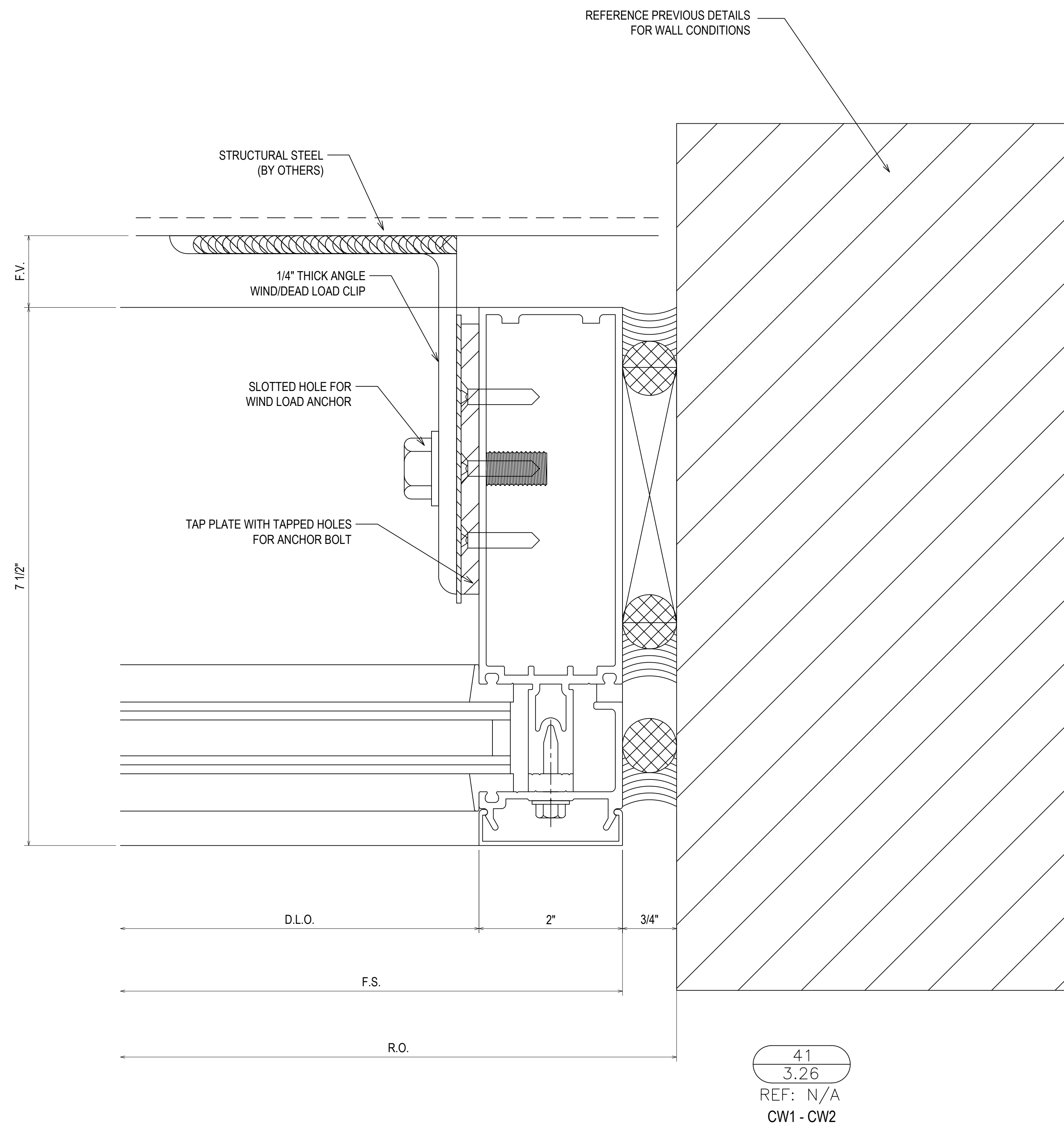
1ST SUBMISSION	7.20.22
1ST REVISION	8.3.22
NO	DESCRIPTION
NO	DATE

SPRINGFIELD GLASS COMPANY  
2503 NORTH OAK GROVE AVE.  
SPRINGFIELD, MO 65803  
P: 417.883.6555

PROJECT: CONVOY OF HOPE  
GLOBAL HEADQUARTERS  
AND TRAINING CENTER  
LOCATION: 7200 W. CARNAHAN STREET  
SPRINGFIELD, MO 65802

DRAWN BY:	DATE:
DJ	7.20.22
CHECKED BY:	DATE:
RD	7.20.22

**3.25**



7.20.22	1ST SUBMISSION		
8.3.22	1ST REVISION		
		NO	NO
		DESCRIPTION	DATE
		DRAWING SUBMISSION	

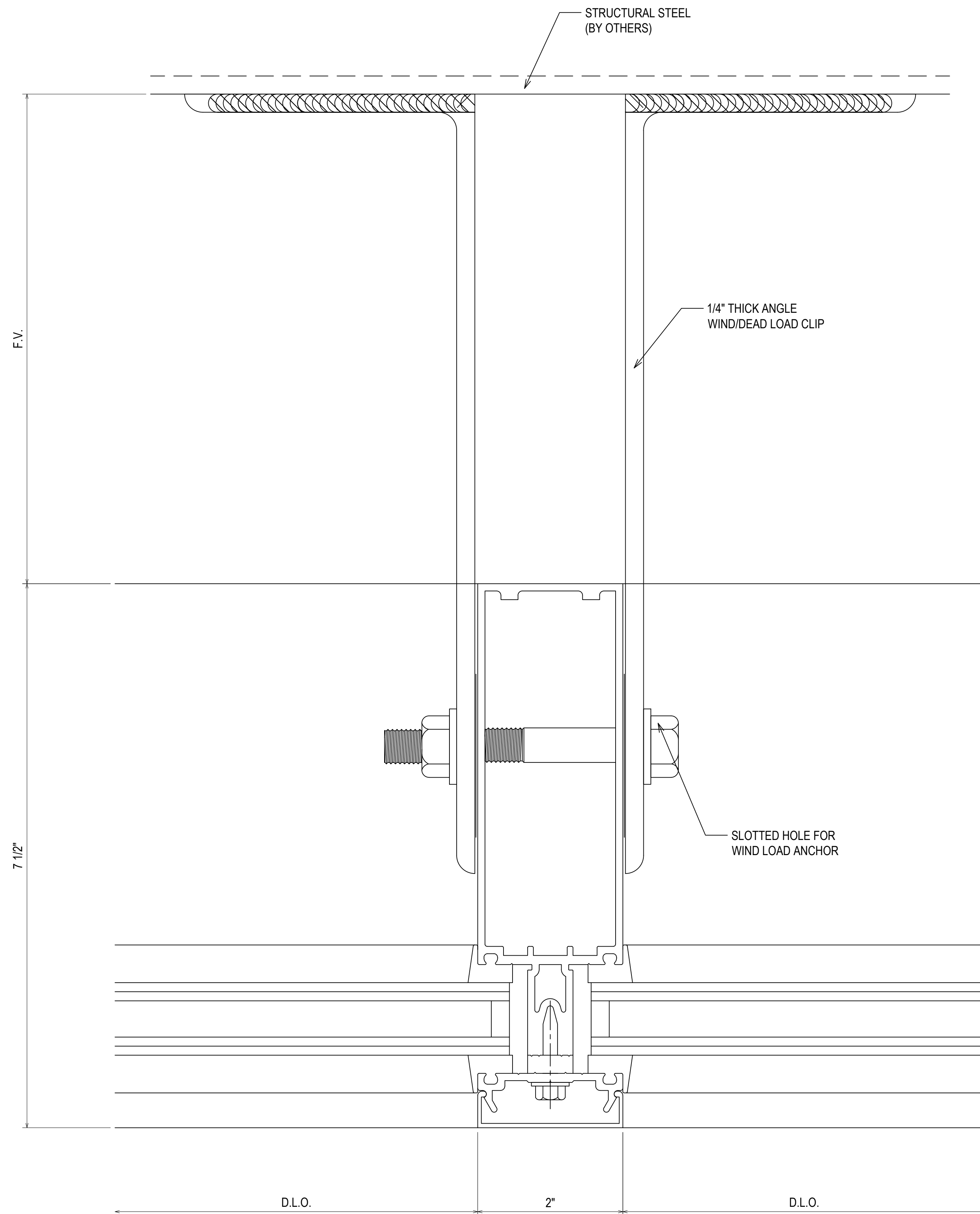
SPRINGFIELD GLASS COMPANY  
 2503 NORTH OAK GROVE AVE.  
 SPRINGFIELD, MO 65803  
 P: 417.883.6555

PROJECT: CONVOY OF HOPE  
 GLOBAL HEADQUARTERS  
 AND TRAINING CENTER

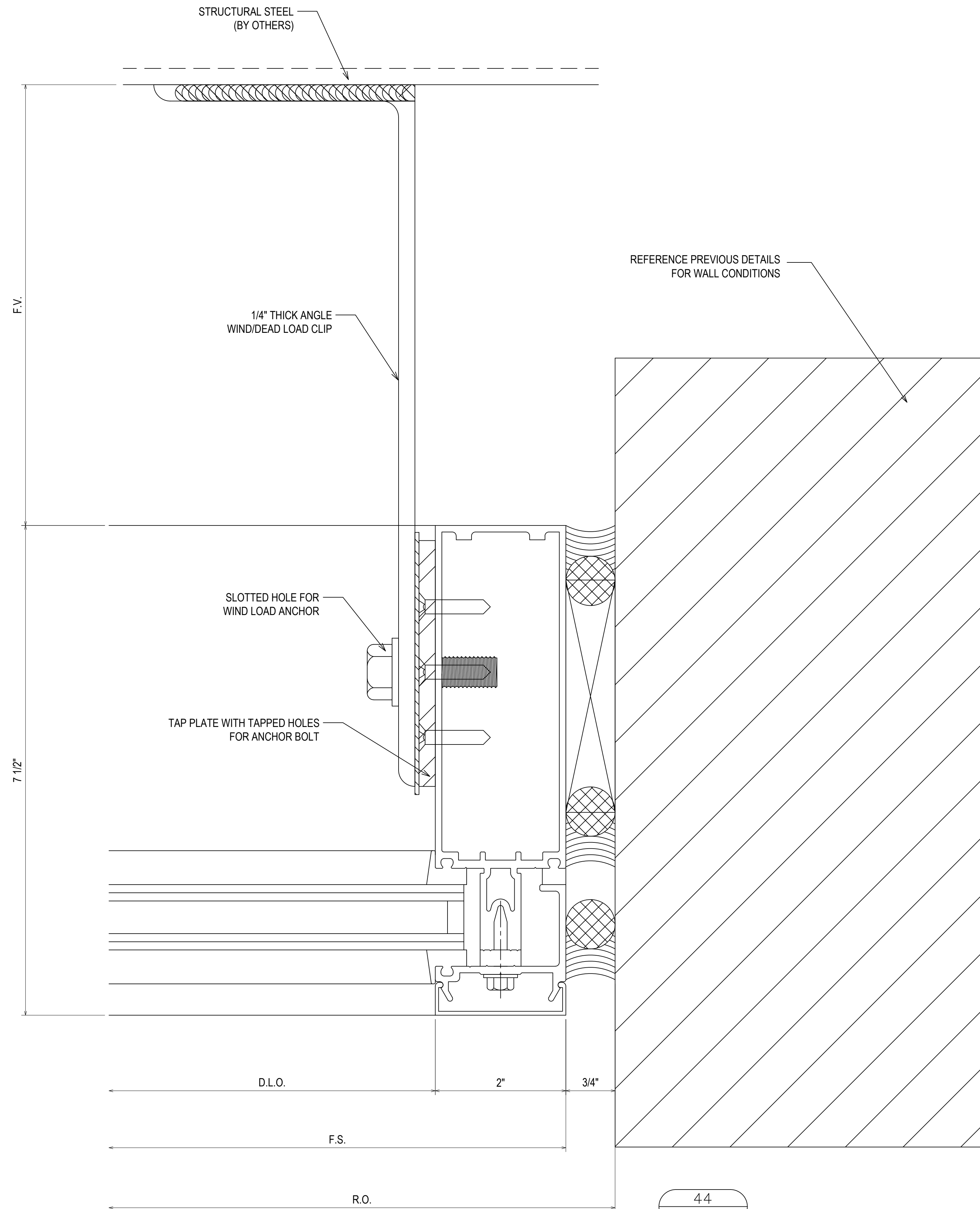
LOCATION: 7200 W. CARNAHAN STREET  
 SPRINGFIELD, MO 65802

DRAWN BY:	DATE:
DJ	7.20.22
CHECKED BY:	DATE:
RD	7.20.22

**3.26**



43  
3.27  
REF: N/A  
CW2



44  
3.27  
REF: N/A  
CW2

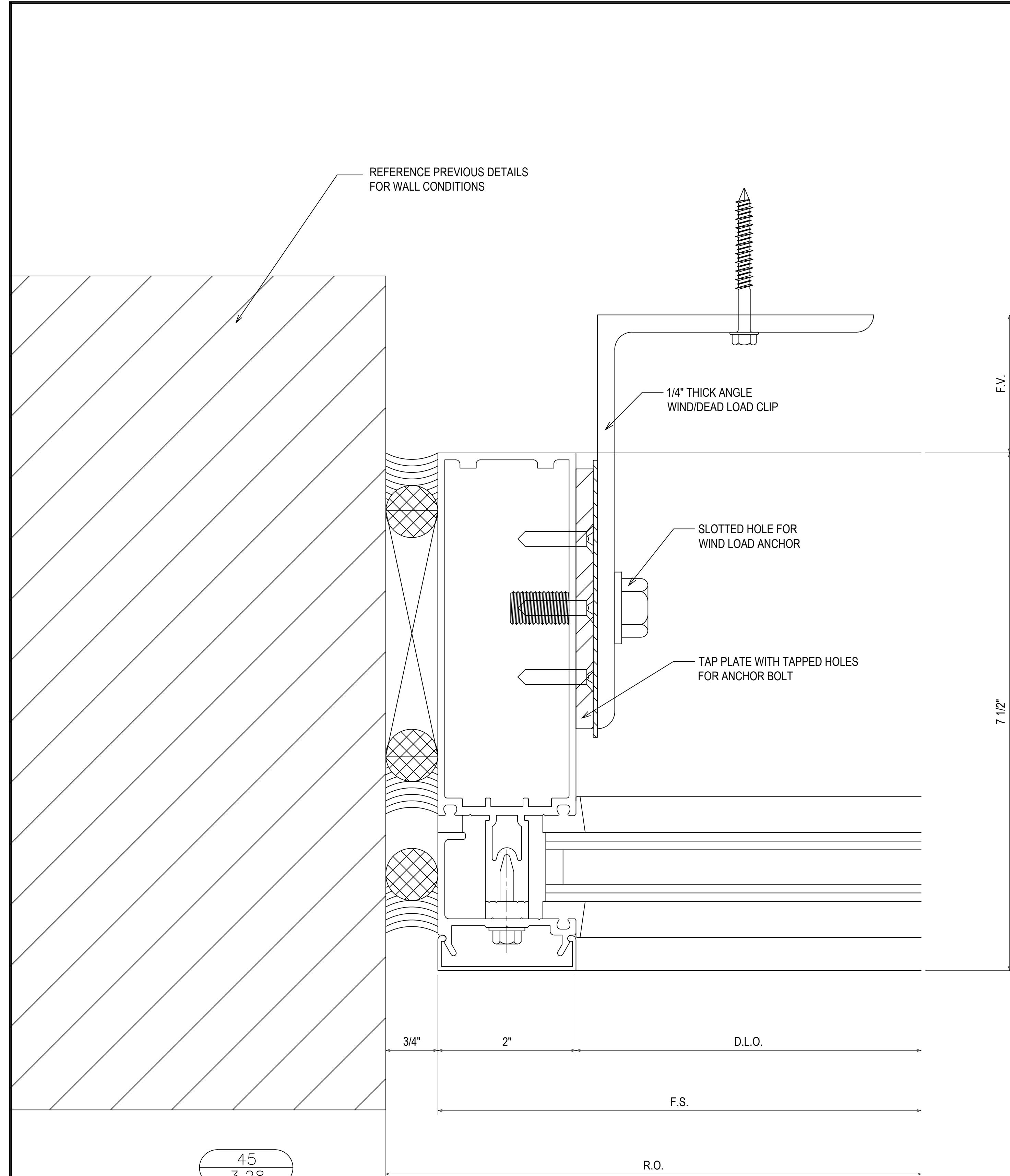
7.20.22	1ST SUBMISSION				
8.3.22	1ST REVISION				
		NO		DESCRIPTION	DATE
				DRAWING SUBMISSION	

PROJECT: CONVOY OF HOPE  
GLOBAL HEADQUARTERS  
AND TRAINING CENTER  
LOCATION: 7200 W. CARNAHAN STREET  
SPRINGFIELD, MO 65802

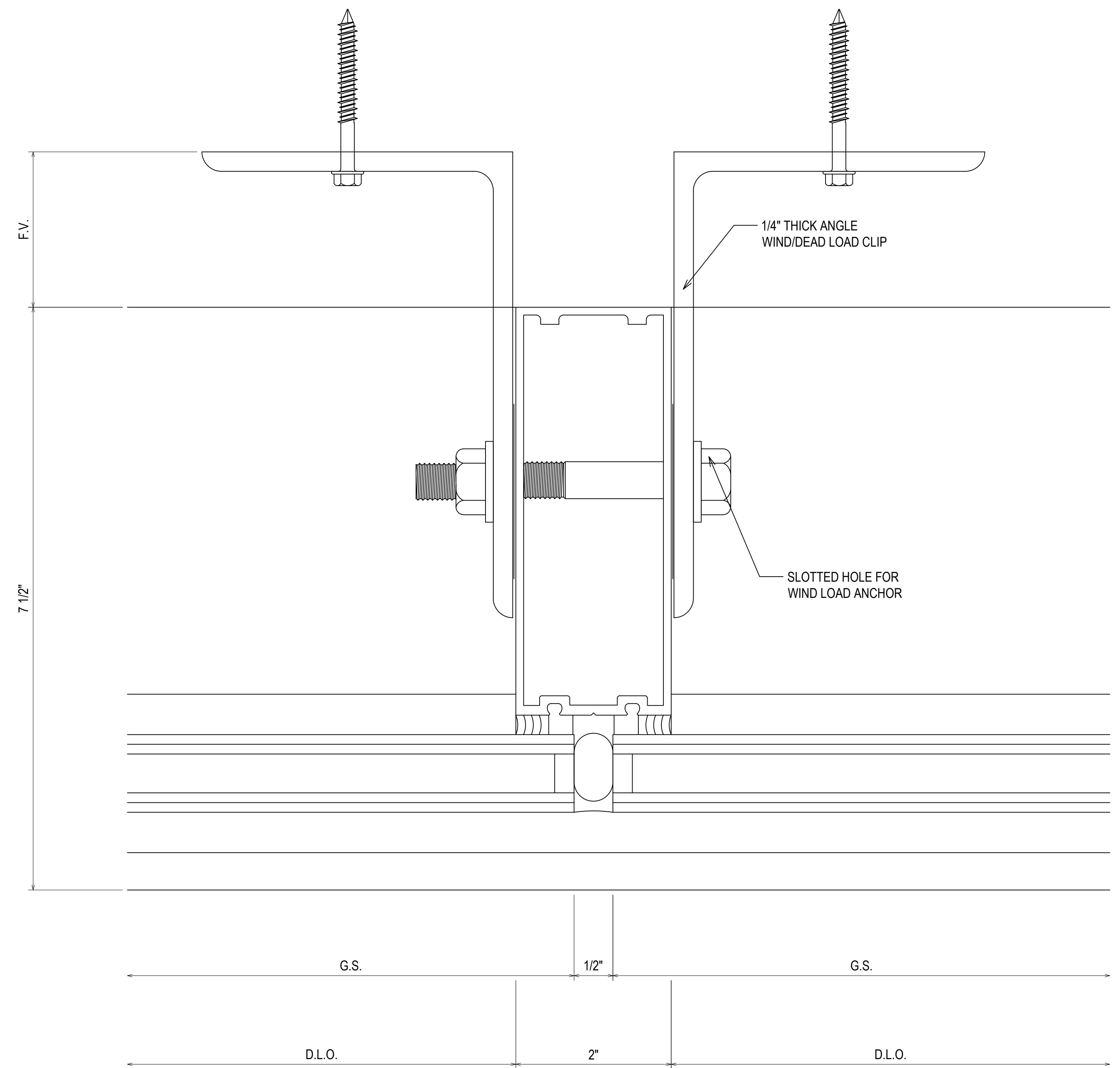
CLIENT: SPRINGFIELD GLASS COMPANY  
2503 NORTH OAK GROVE AVE.  
SPRINGFIELD, MO 65803  
P: 417.883.6555

DATE: 7.20.22  
DRAWN BY: DJ  
CHECKED BY: RD

DATE: 7.20.22	DATE: 7.20.22
DATE: 7.20.22	DATE: 7.20.22



45  
3.28  
REF: N/A  
CW3 - CW7 - CW8 - CW9 - CW13



46  
3.28  
REF: N/A  
CW3 - CW4 - CW7 - CW8  
CW9 - CW10 - CW13 - CW14

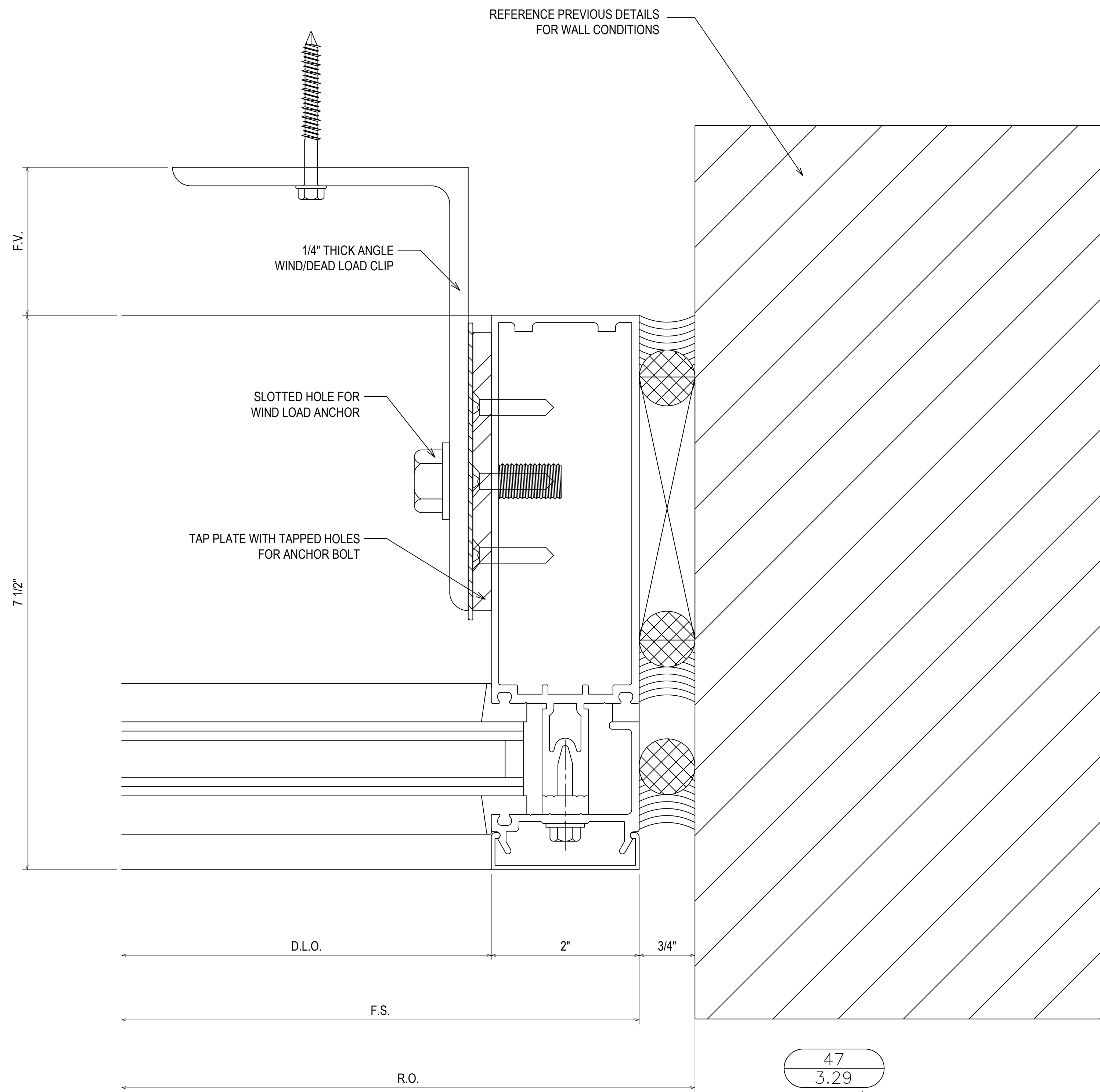
1ST SUBMISSION	7.20.22
1ST REVISION	8.3.22
NO	DESCRIPTION
NO	DATE

SPRINGFIELD GLASS COMPANY  
2503 NORTH OAK GROVE AVE.  
SPRINGFIELD, MO 65803  
P: 417.883.6555

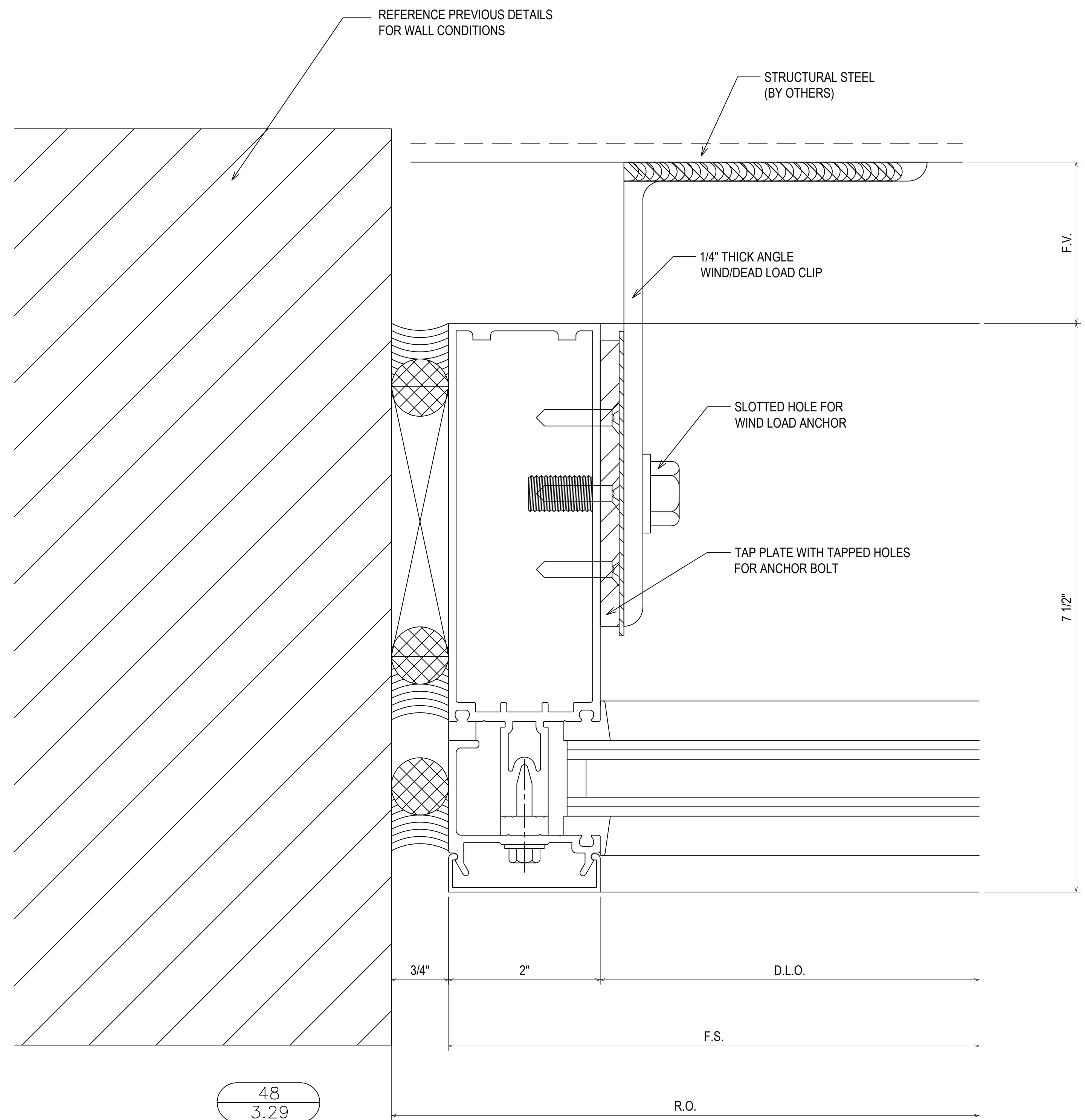
PROJECT: CONVOY OF HOPE  
GLOBAL HEADQUARTERS  
AND TRAINING CENTER

LOCATION: 7200 W. CARNAHAN STREET  
SPRINGFIELD, MO 65802

DRAWN BY:	DATE:
DJ	7.20.22
CHECKED BY:	DATE:
RD	7.20.22



47  
3.29  
REF: N/A  
CW4 - CW7 - CW8 - CW10 - CW14



48  
3.29  
REF: N/A  
CW5 - CW12

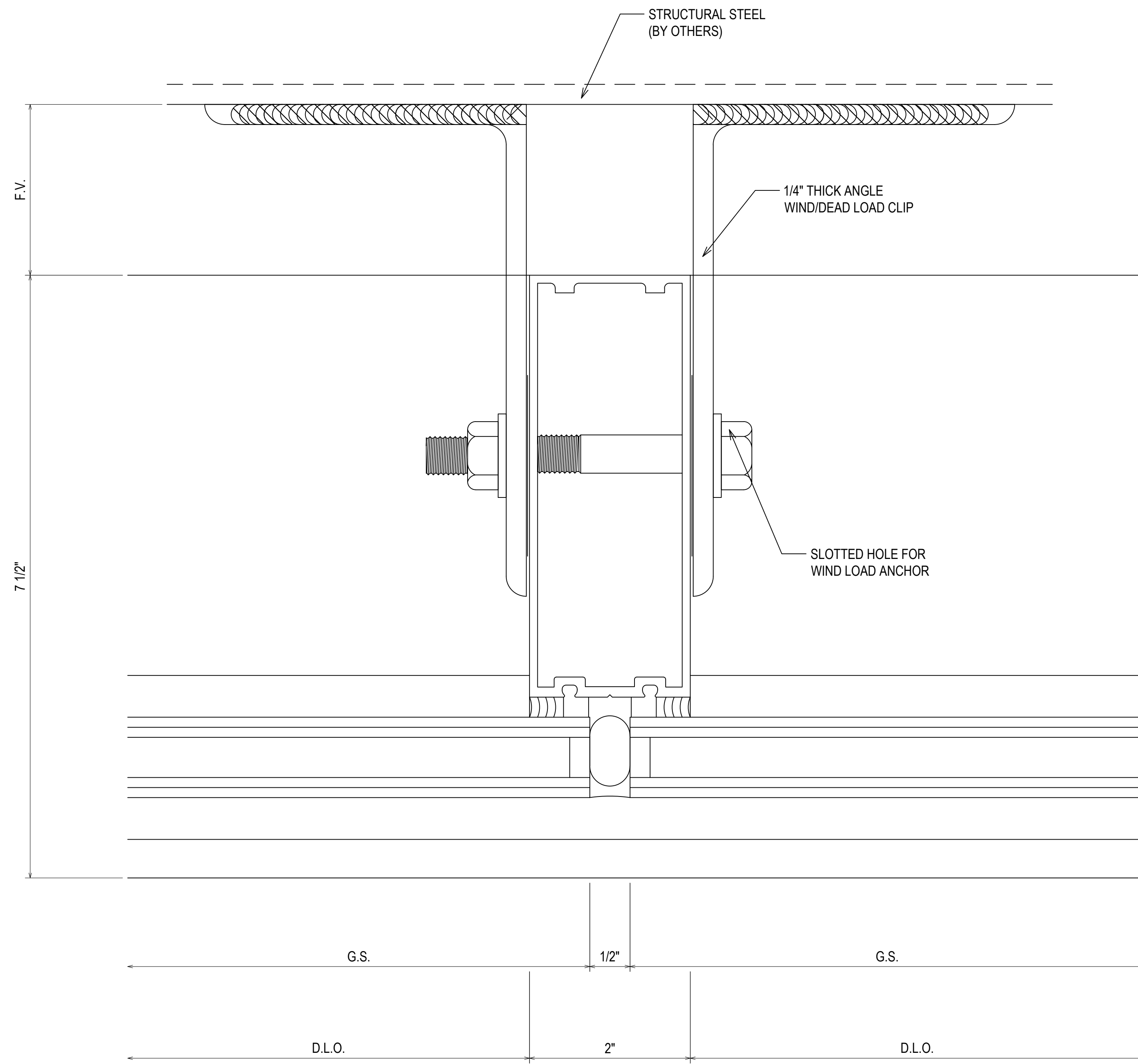
1ST SUBMISSION	7.20.22
1ST REVISION	8.3.22
NO	DESCRIPTION
NO	DATE

SPRINGFIELD GLASS COMPANY  
2503 NORTH OAK GROVE AVE.  
SPRINGFIELD, MO 65803  
P: 417.883.6555

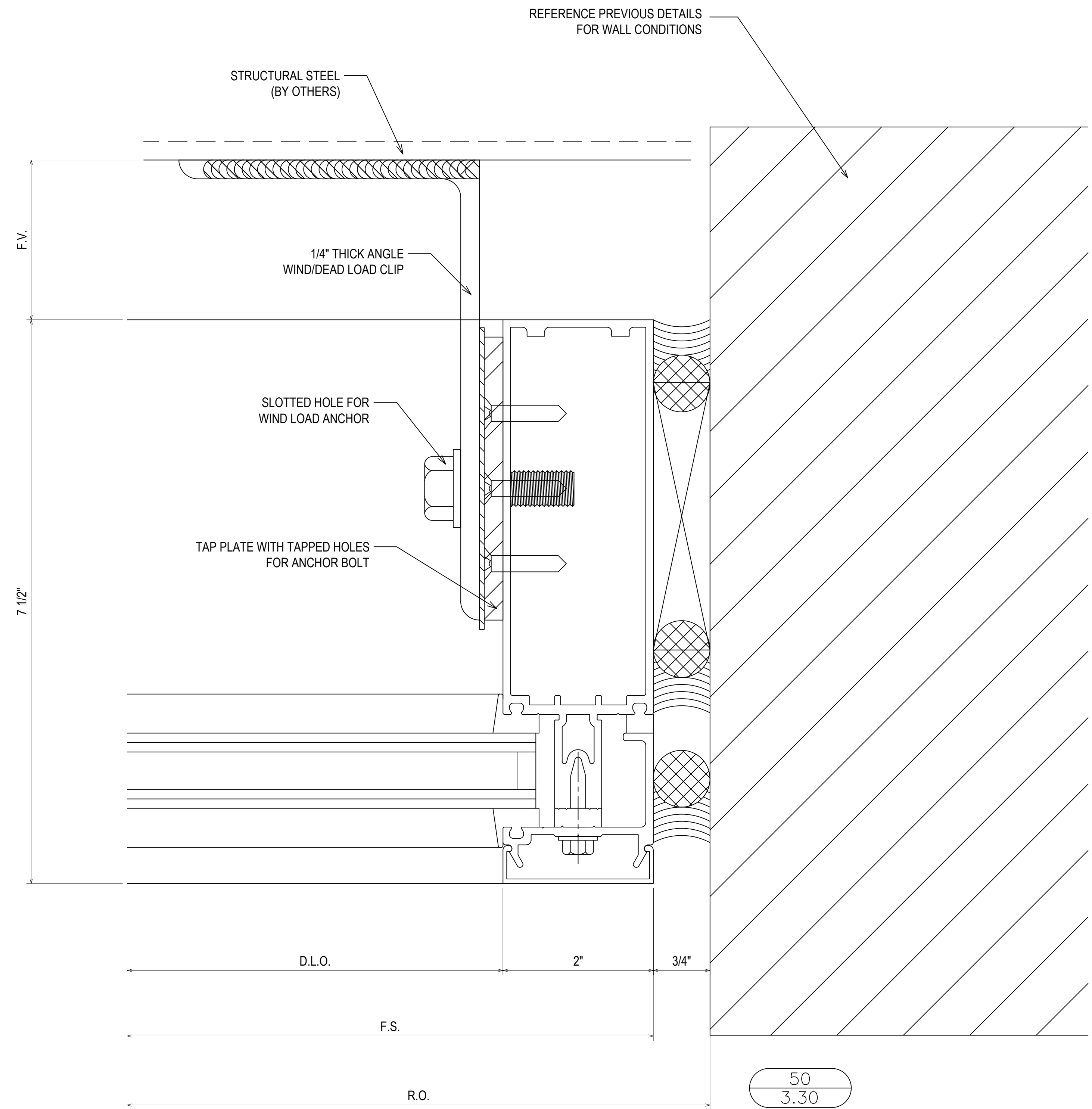
PROJECT: CONVOY OF HOPE  
GLOBAL HEADQUARTERS  
AND TRAINING CENTER

LOCATION: 7200 W. CARNAHAN STREET  
SPRINGFIELD, MO 65802

DRAWN BY:	DATE:
DJ	7.20.22
CHECKED BY:	DATE:
RD	7.20.22



49  
3.30  
REF: N/A  
CW5 - CW12



50  
3.30  
REF: N/A  
CW5 - CW12

1ST SUBMISSION	7.20.22
1ST REVISION	8.3.22
NO	DATE
NO	DESCRIPTION
DRAWING SUBMISSION	

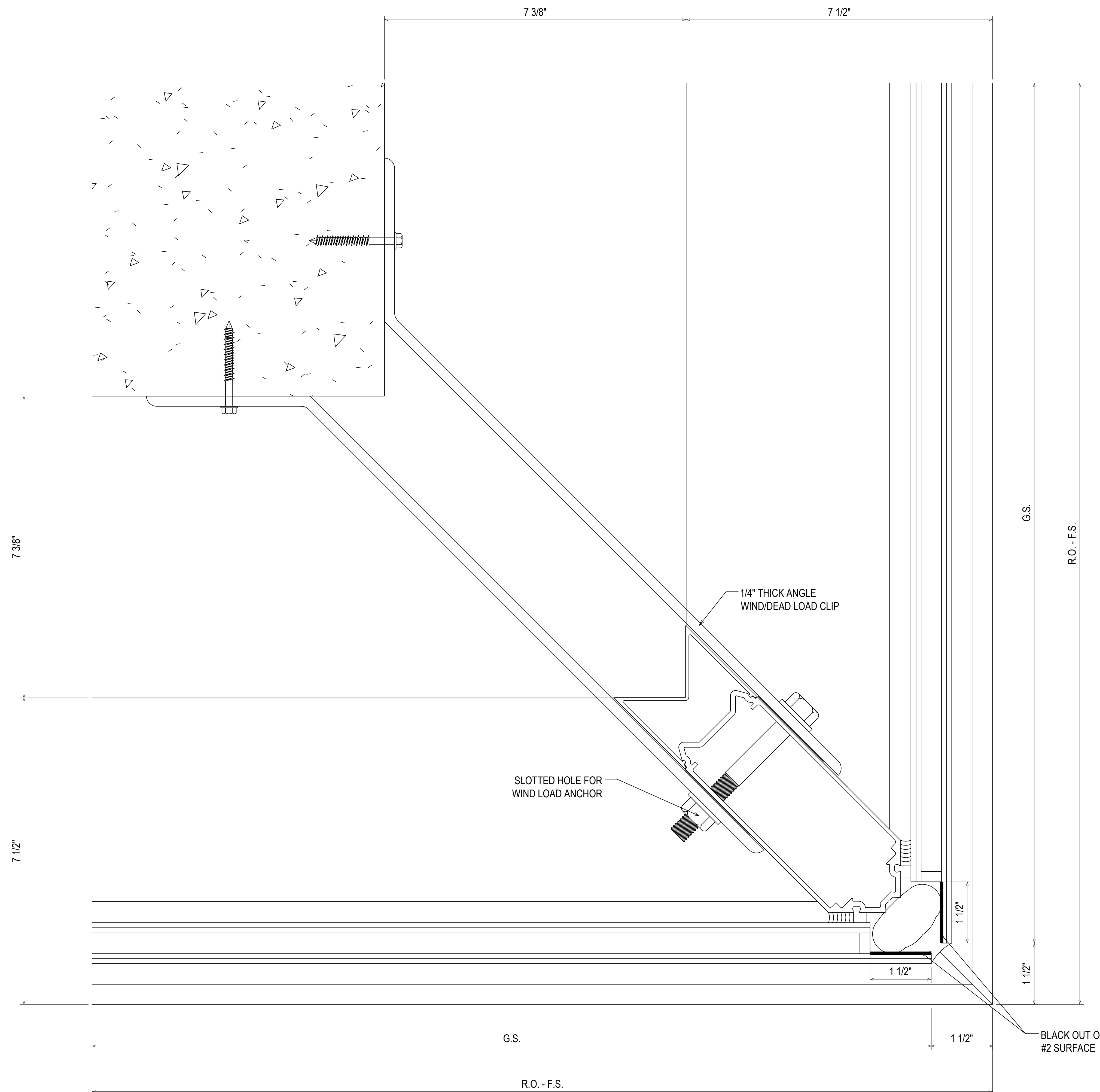
SPRINGFIELD GLASS COMPANY  
2503 NORTH OAK GROVE AVE.  
SPRINGFIELD, MO 65803  
P: 417.883.6555

PROJECT: CONVOY OF HOPE  
GLOBAL HEADQUARTERS  
AND TRAINING CENTER

LOCATION: 7200 W. CARNAHAN STREET  
SPRINGFIELD, MO 65802

DRAWN BY:	DATE:
DJ	7.20.22
CHECKED BY:	DATE:
RD	7.20.22

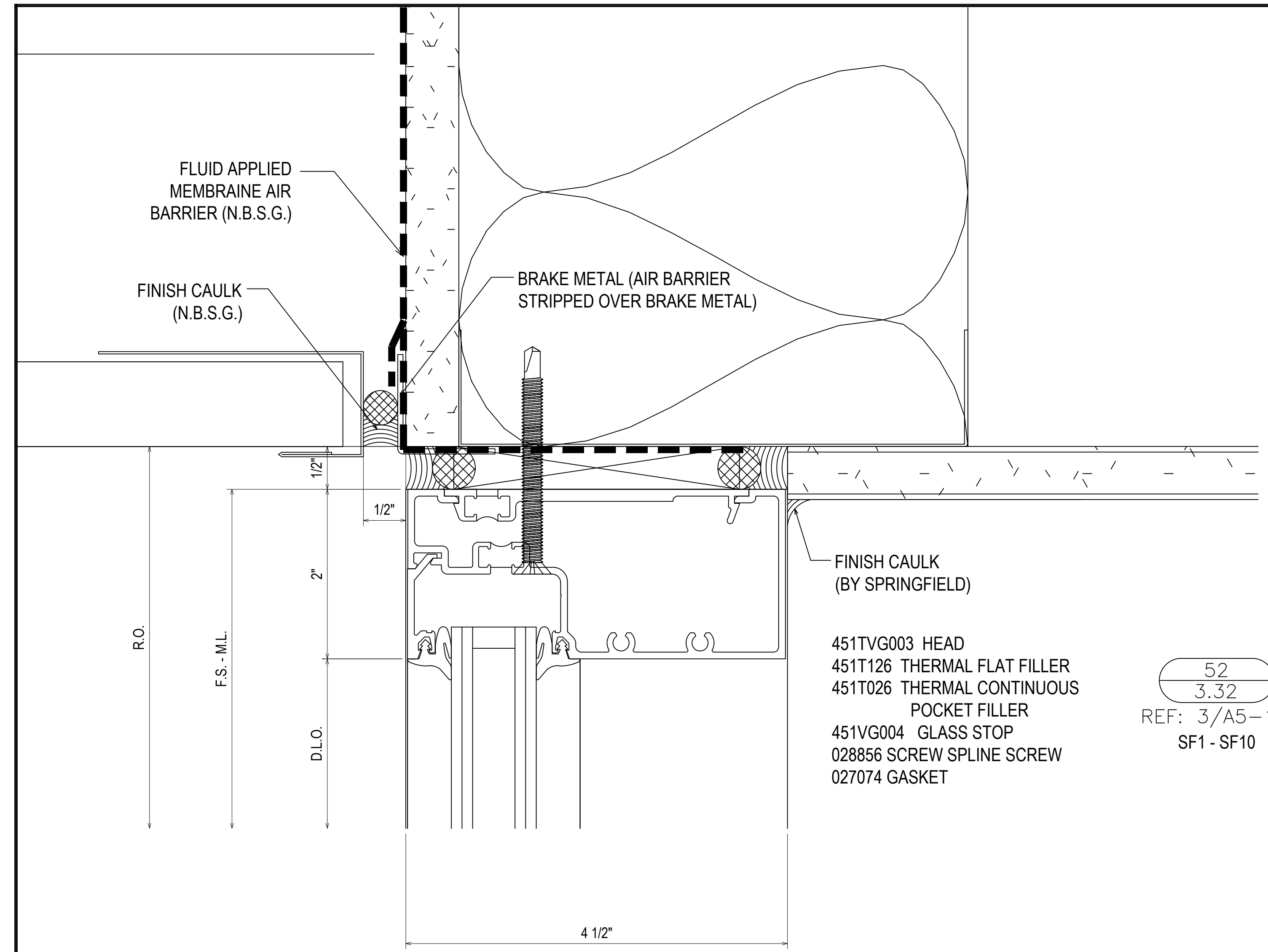
3.30



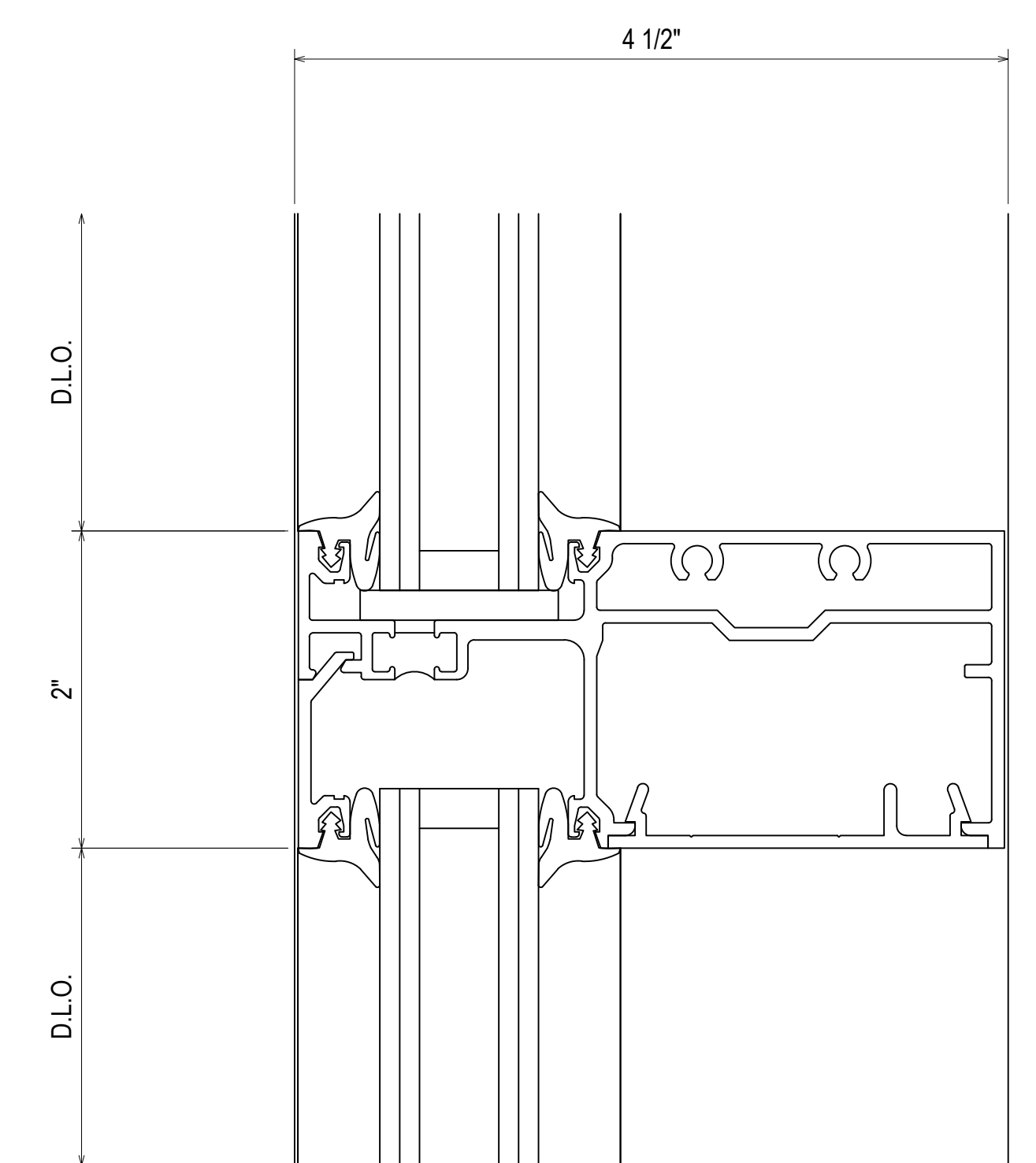
N.T.S.  
 51  
 3.31  
 REF: 4/A6-12  
 CW3 - CW4 - CW9 - CW10  
 CW13 - CW14

PROJECT:	CONVOY OF HOPE GLOBAL HEADQUARTERS AND TRAINING CENTER	LOCATION:	7200 W. CARNAHAN STREET SPRINGFIELD, MO 65802
1ST SUBMISSION	7.20.22	1ST REVISION	8.3.22
NO		DESCRIPTION	DATE
		DRAWING SUBMISSION	

SPRINGFIELD GLASS COMPANY  
 2503 NORTH OAK GROVE AVE.  
 SPRINGFIELD, MO 65803  
 P: 417.883.6555

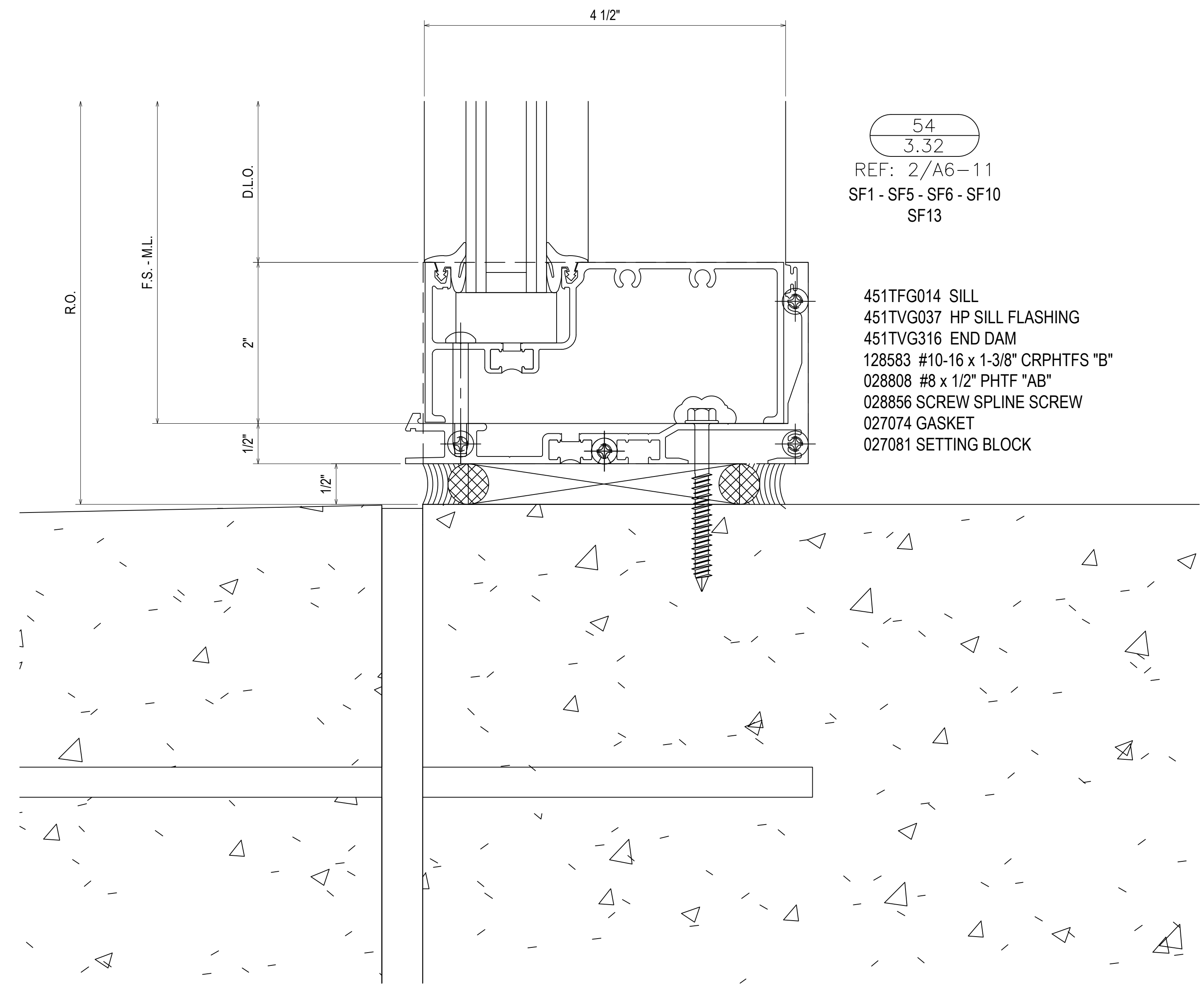


- 52  
3.32  
REF: 3/A5-10  
SF1 - SF10
- 451TVG003 HEAD
  - 451T126 THERMAL FLAT FILLER
  - 451T026 THERMAL CONTINUOUS POCKET FILLER
  - 451VG004 GLASS STOP
  - 028856 SCREW SPLINE SCREW
  - 027074 GASKET



- 53  
3.32  
REF: N/A  
TYPICAL HORIZONTAL

- 451TVG011 HORIZONTAL
- 451VG004 GLASS STOP
- 451VG026 FILLER
- 028856 SCREW SPLINE SCREW
- 027074 GASKET
- 027081 SETTING BLOCK



- 54  
3.32  
REF: 2/A6-11  
SF1 - SF5 - SF6 - SF10  
SF13

- 451TFG014 SILL
- 451TVG037 HP SILL FLASHING
- 451TVG316 END DAM
- 128583 #10-16 x 1-3/8" CRPHTFs "B"
- 028808 #8 x 1/2" PHTF "AB"
- 028856 SCREW SPLINE SCREW
- 027074 GASKET
- 027081 SETTING BLOCK

1ST SUBMISSION	7.20.22
1ST REVISION	8.3.22
NO	DESCRIPTION
NO	DATE

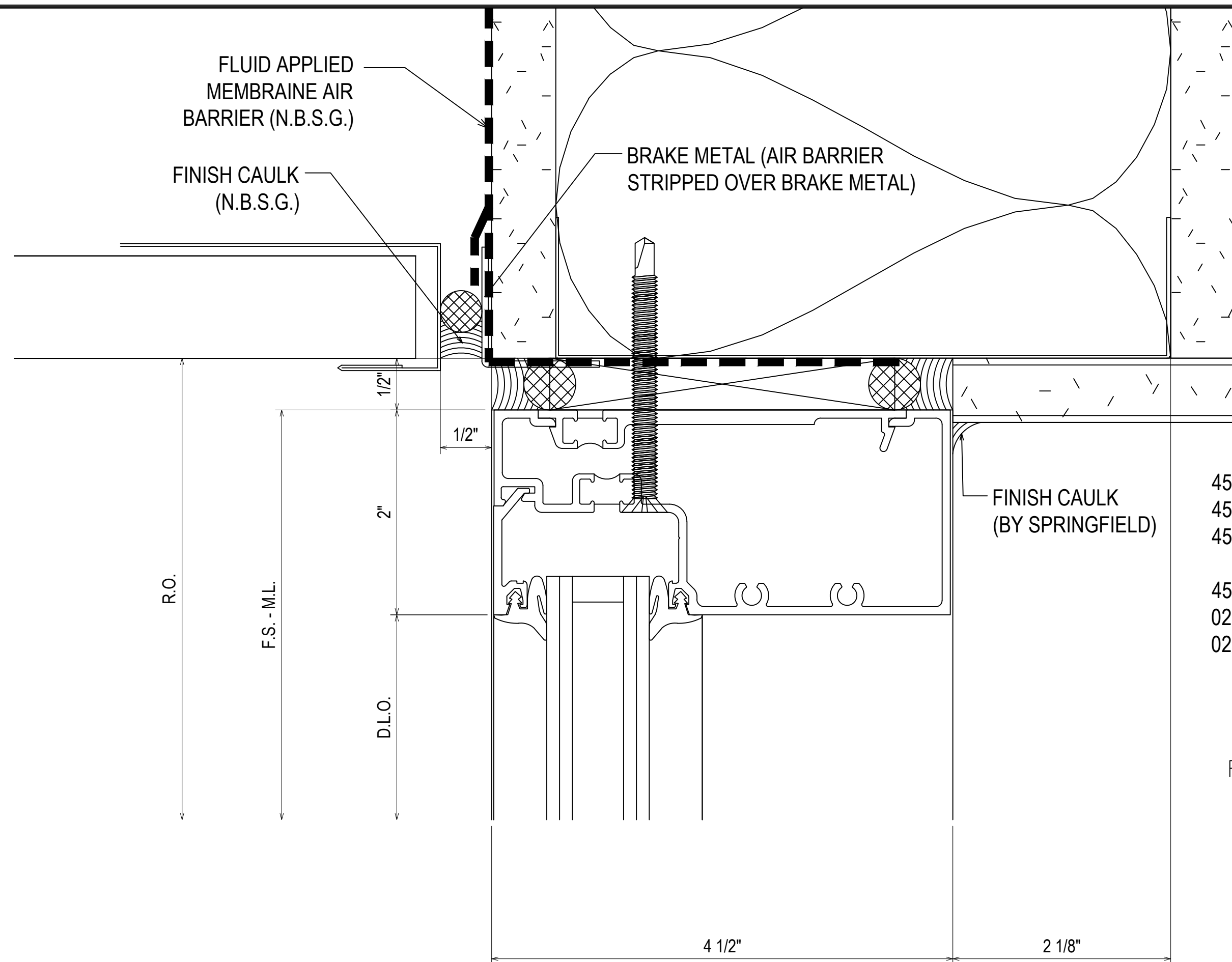
SPRINGFIELD GLASS COMPANY  
2503 NORTH OAK GROVE AVE.  
SPRINGFIELD, MO 65803  
P: 417.883.6555

PROJECT: CONVOY OF HOPE  
GLOBAL HEADQUARTERS  
AND TRAINING CENTER

LOCATION: 7200 W. CARNAHAN STREET  
SPRINGFIELD, MO 65802

DRAWN BY: DJ	DATE: 7.20.22
CHECKED BY: RD	DATE: 7.20.22

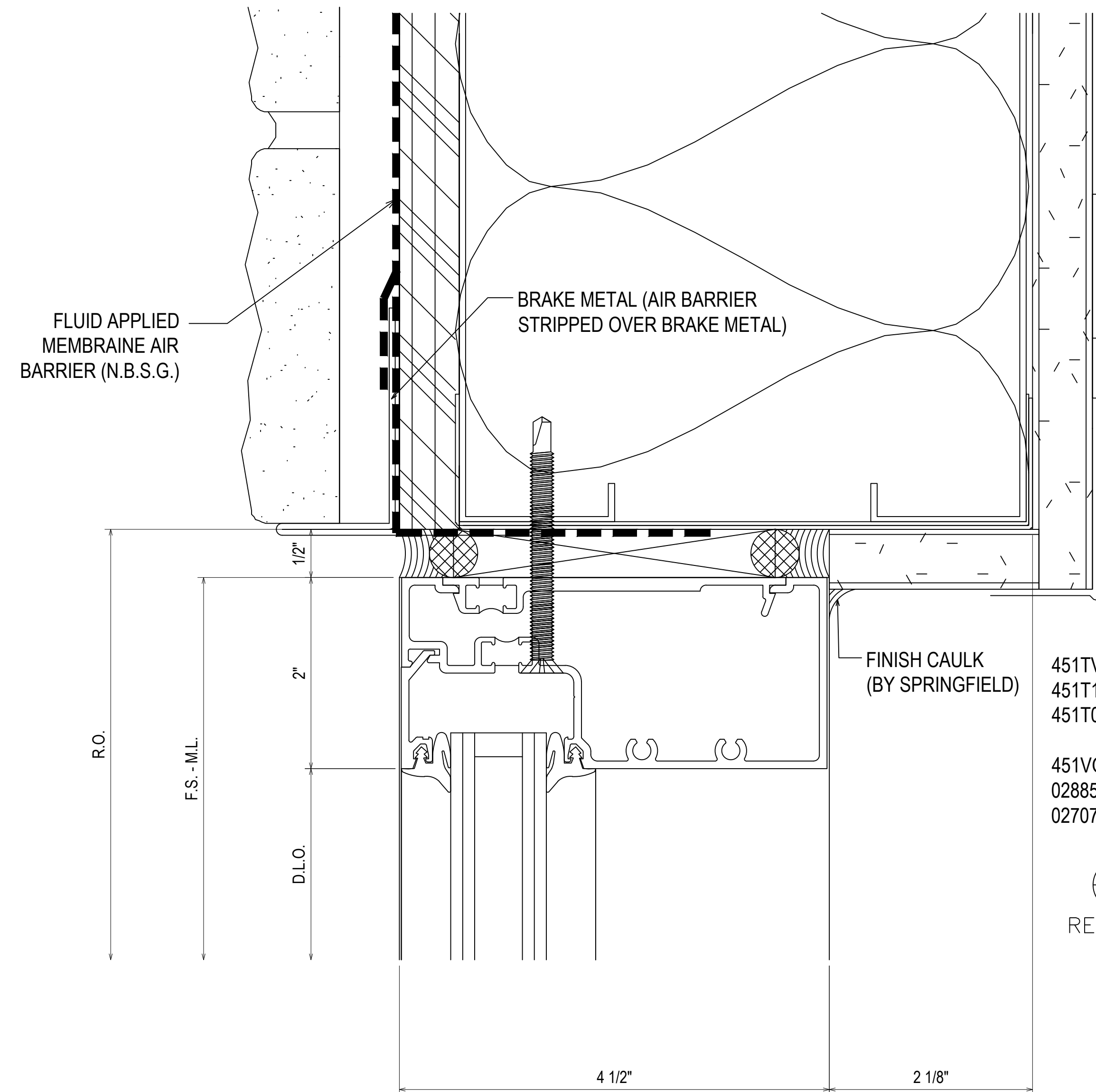




451TVG003 HEAD  
 451T126 THERMAL FLAT FILLER  
 451T026 THERMAL CONTINUOUS  
 POCKET FILLER  
 451VG004 GLASS STOP  
 028856 SCREW SPLINE SCREW  
 027074 GASKET

55  
 3.33

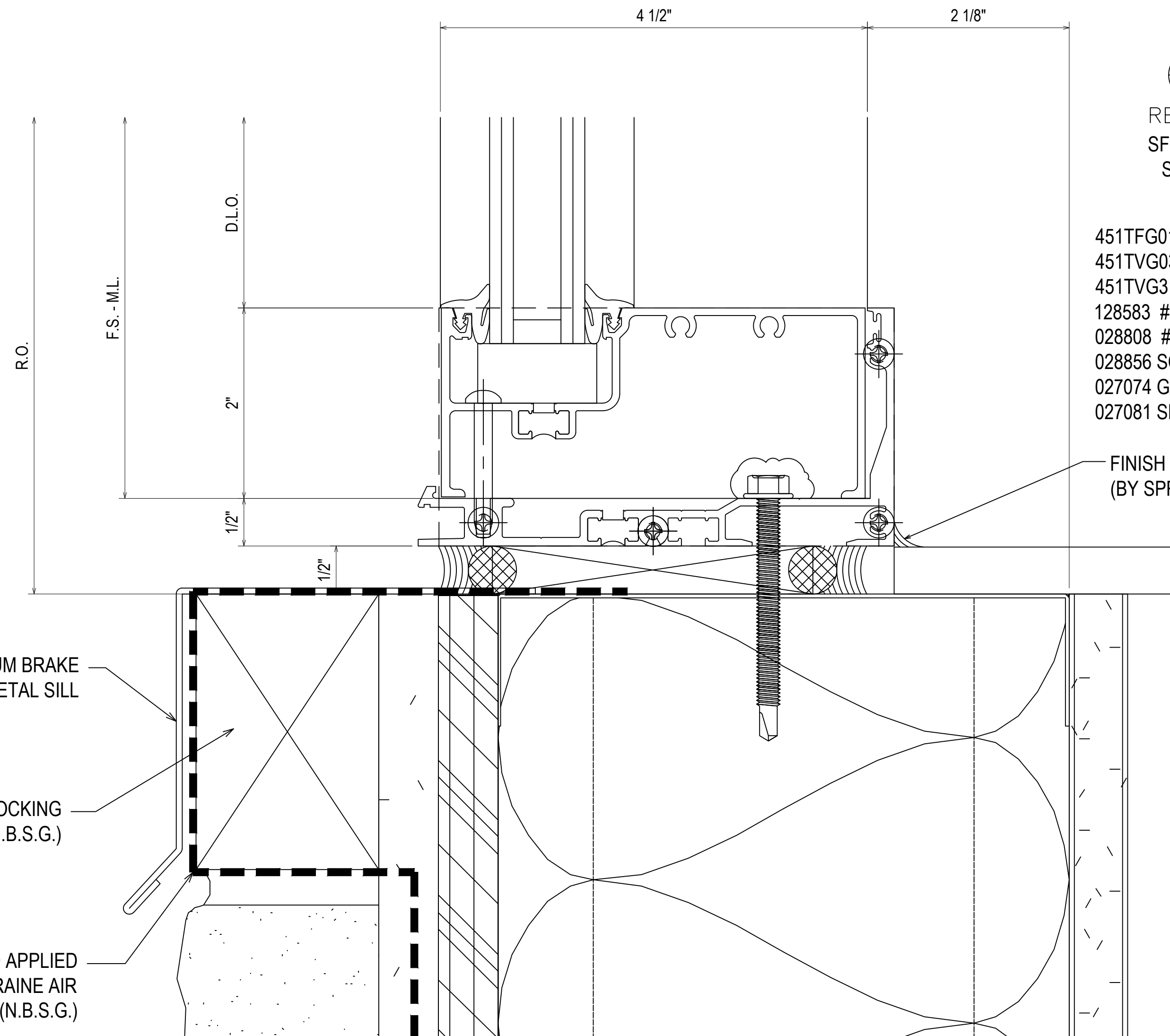
REF: 3/A5-10 SIM.  
 SF3 - SF4 - SF7 - SF8  
 SF9 - SF11 - SF12 - SF13



451TVG003 HEAD  
 451T126 THERMAL FLAT FILLER  
 451T026 THERMAL CONTINUOUS  
 POCKET FILLER  
 451VG004 GLASS STOP  
 028856 SCREW SPLINE SCREW  
 027074 GASKET

57  
 3.33

REF: 18/A6-11  
 SF5



451TFG014 SILL  
 451TVG037 HP SILL FLASHING  
 451TVG316 END DAM  
 128583 #10-16 x 1-3/8" CRPHTFS "B"  
 028808 #8 x 1/2" PHTF "AB"  
 028856 SCREW SPLINE SCREW  
 027074 GASKET  
 027081 SETTING BLOCK

56  
 3.33

REF: 4/A5-10  
 SF3 - SF4 - SF7 - SF8  
 SF9 - SF11 - SF12

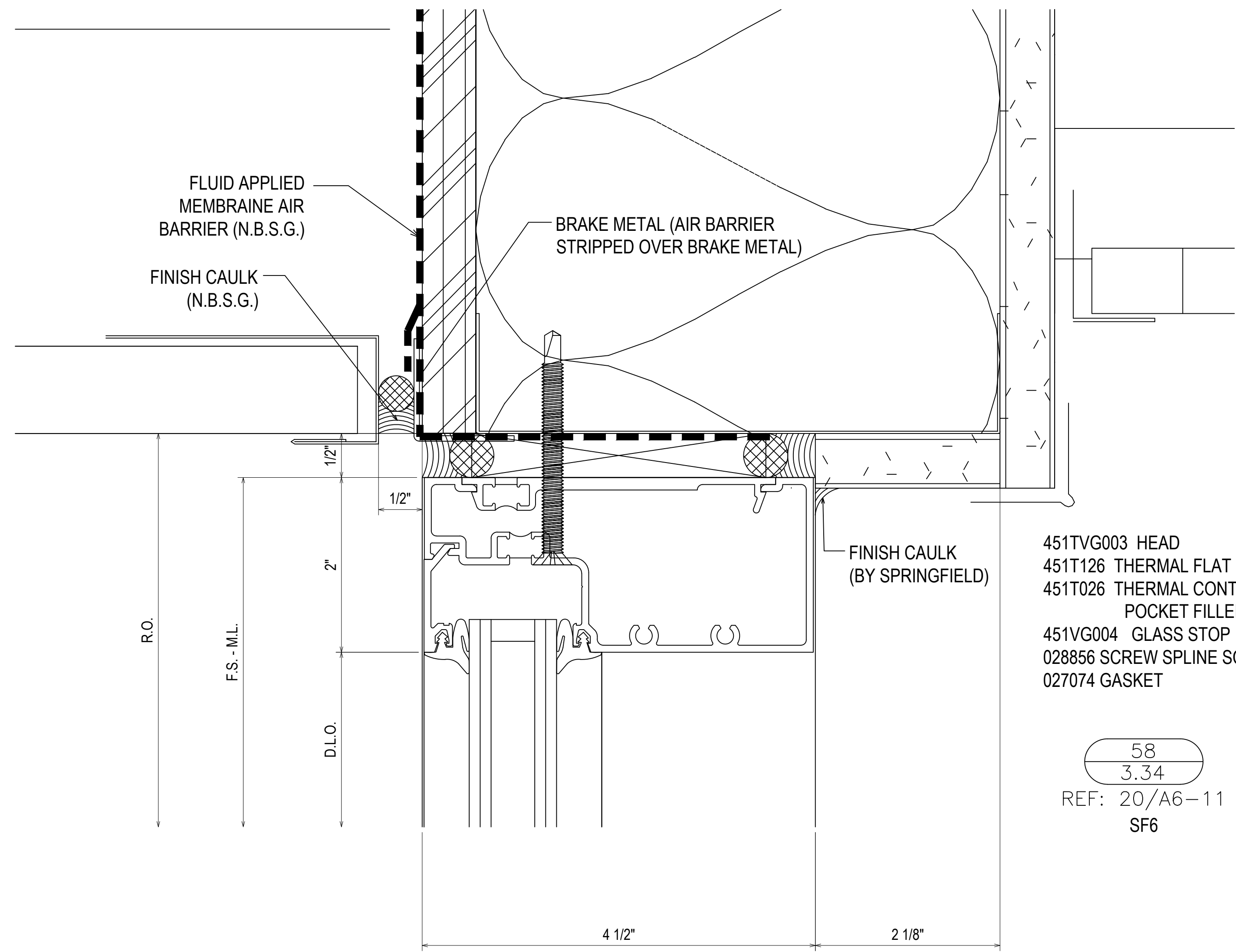
1ST SUBMISSION	7.20.22
1ST REVISION	8.3.22
NO	NO
DESCRIPTION	DATE
DRAWING SUBMISSION	

SPRINGFIELD GLASS COMPANY  
 2503 NORTH OAK GROVE AVE.  
 SPRINGFIELD, MO 65803  
 P: 417.883.6555

PROJECT: CONVOY OF HOPE  
 GLOBAL HEADQUARTERS  
 AND TRAINING CENTER  
 LOCATION: 7200 W. CARNAHAN STREET  
 SPRINGFIELD, MO 65802

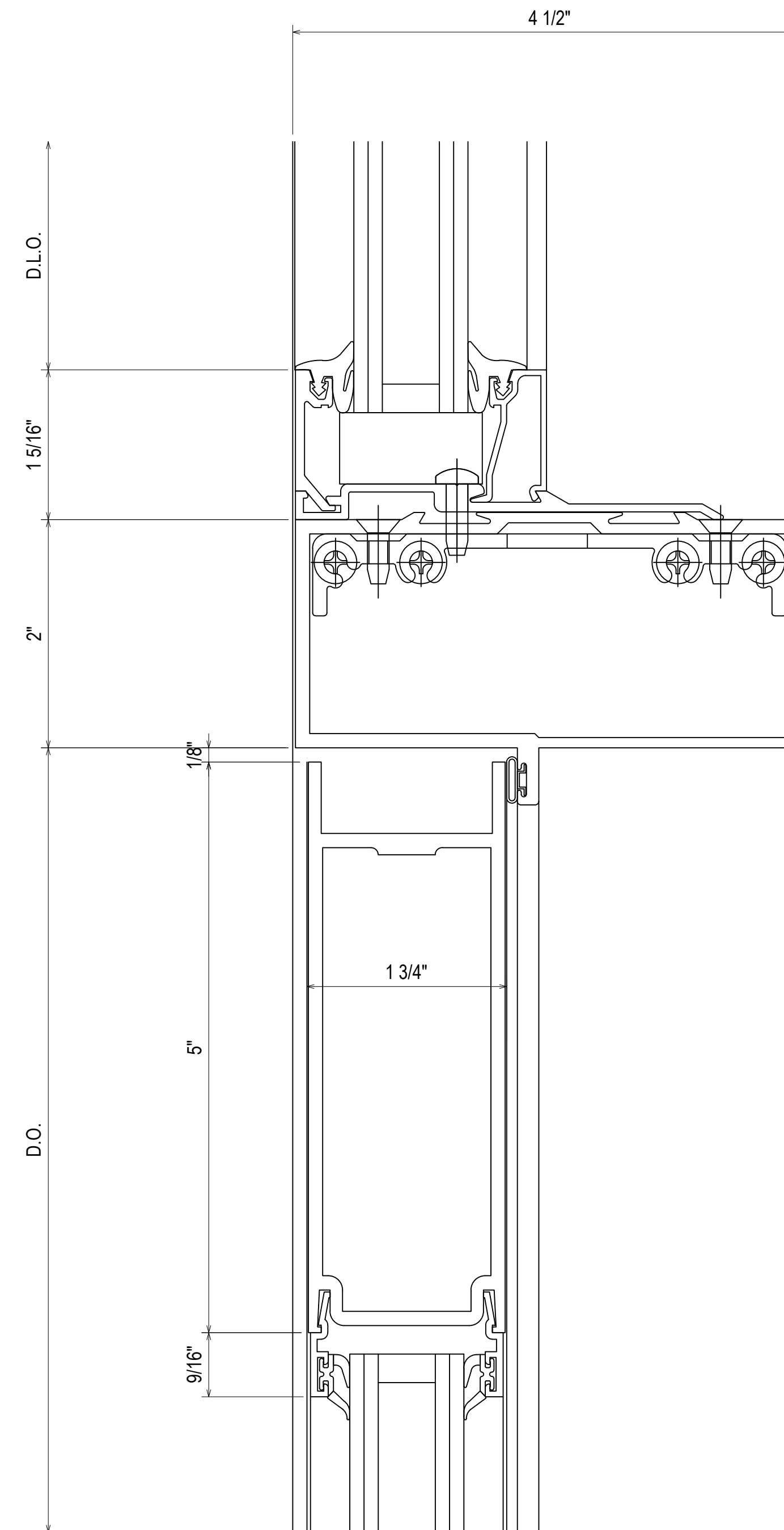
DRAWN BY:	DATE:
DJ	7.20.22
CHECKED BY:	DATE:
RD	7.20.22

3.33



- 451TVG003 HEAD
- 451T126 THERMAL FLAT FILLER
- 451T026 THERMAL CONTINUOUS POCKET FILLER
- 451VG004 GLASS STOP
- 028856 SCREW SPLINE SCREW
- 027074 GASKET

58  
 3.34  
 REF: 20/A6-11  
 SF6



- 451502 S/A T-BAR/HEADER WITH WEATHERING
- 450506 S/A T-BAR/HEADER CLIP PACKAGE
- 450022 GLASS STOP
- 451VG022 T-BAR ADAPTER
- 451VG004 GLASS STOP
- 028710 #10 x 5/8" B PHFT
- 200025 STANDARD 500 TOP DOOR RAIL
- 027074 GASKET

59  
 3.34  
 REF: N/A  
 SF1 - SF5 - SF6 - SF10  
 SF13

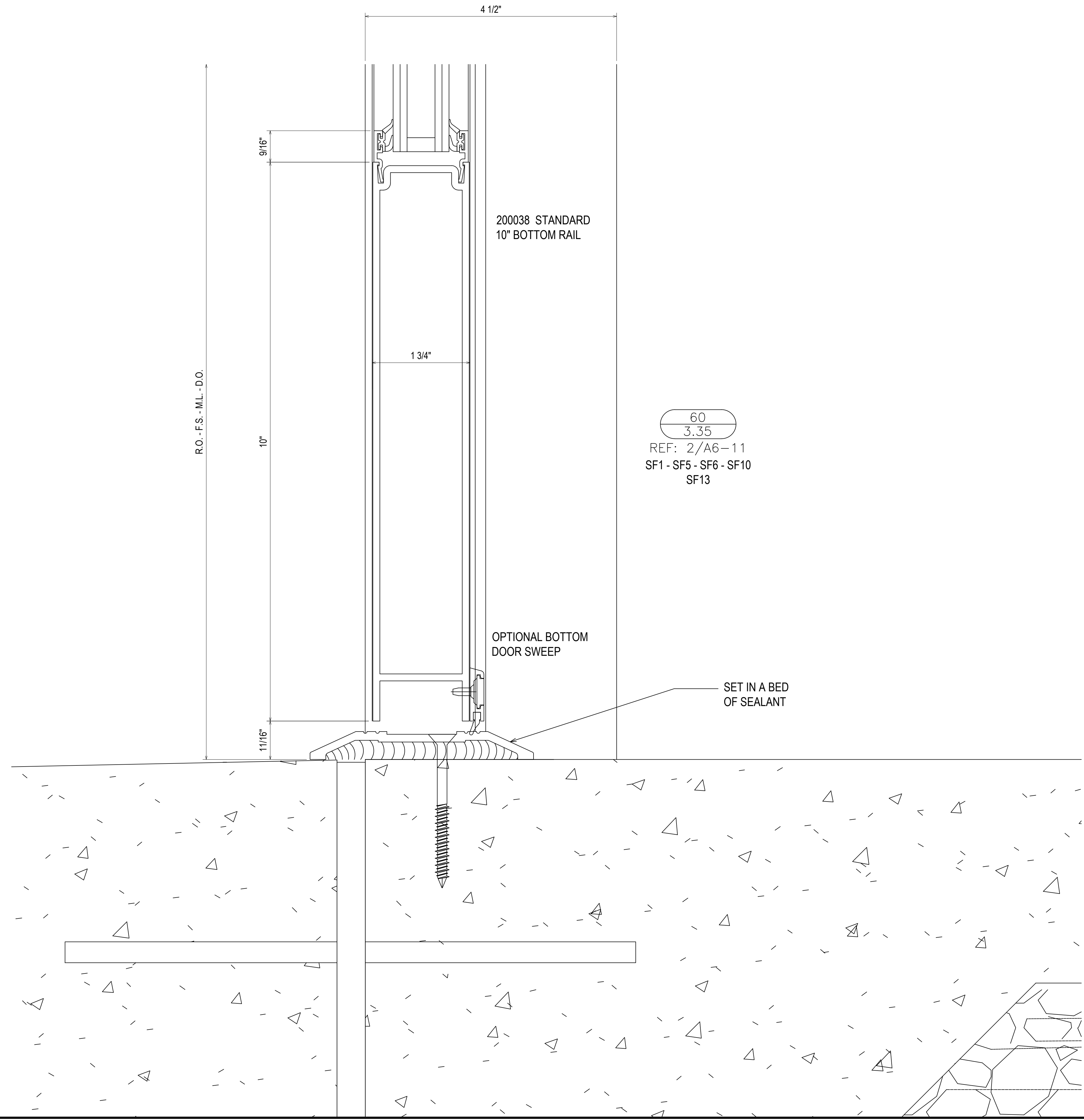
1ST SUBMISSION	7.20.22
1ST REVISION	8.3.22
NO	DATE
NO	DESCRIPTION
DRAWING SUBMISSION	

SPRINGFIELD GLASS COMPANY  
 2503 NORTH OAK GROVE AVE.  
 SPRINGFIELD, MO 65803  
 P: 417.883.6555

PROJECT: CONVOY OF HOPE  
 GLOBAL HEADQUARTERS  
 AND TRAINING CENTER  
 LOCATION: 7200 W. CARNAHAN STREET  
 SPRINGFIELD, MO 65802

DRAWN BY:	DATE:
DJ	7.20.22
CHECKED BY:	DATE:
RD	7.20.22

**3.34**



R.O. - F.S. - M.L. - D.O.

11/16" 10" 9/16" 4 1/2"

200038 STANDARD  
10" BOTTOM RAIL

1 3/4"

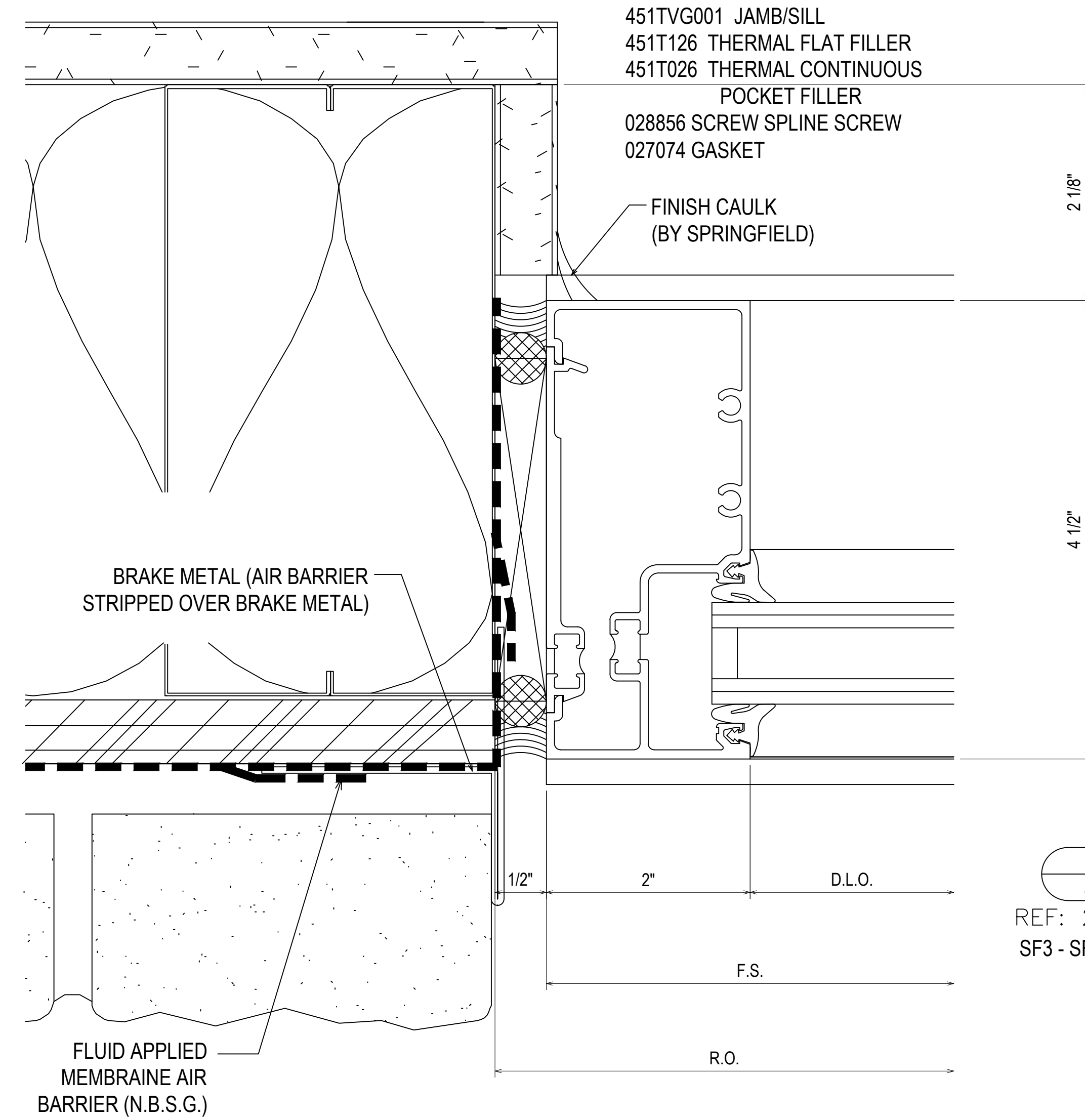
60  
3.35  
REF: 2/A6-11  
SF1 - SF5 - SF6 - SF10  
SF13

OPTIONAL BOTTOM  
DOOR SWEEP

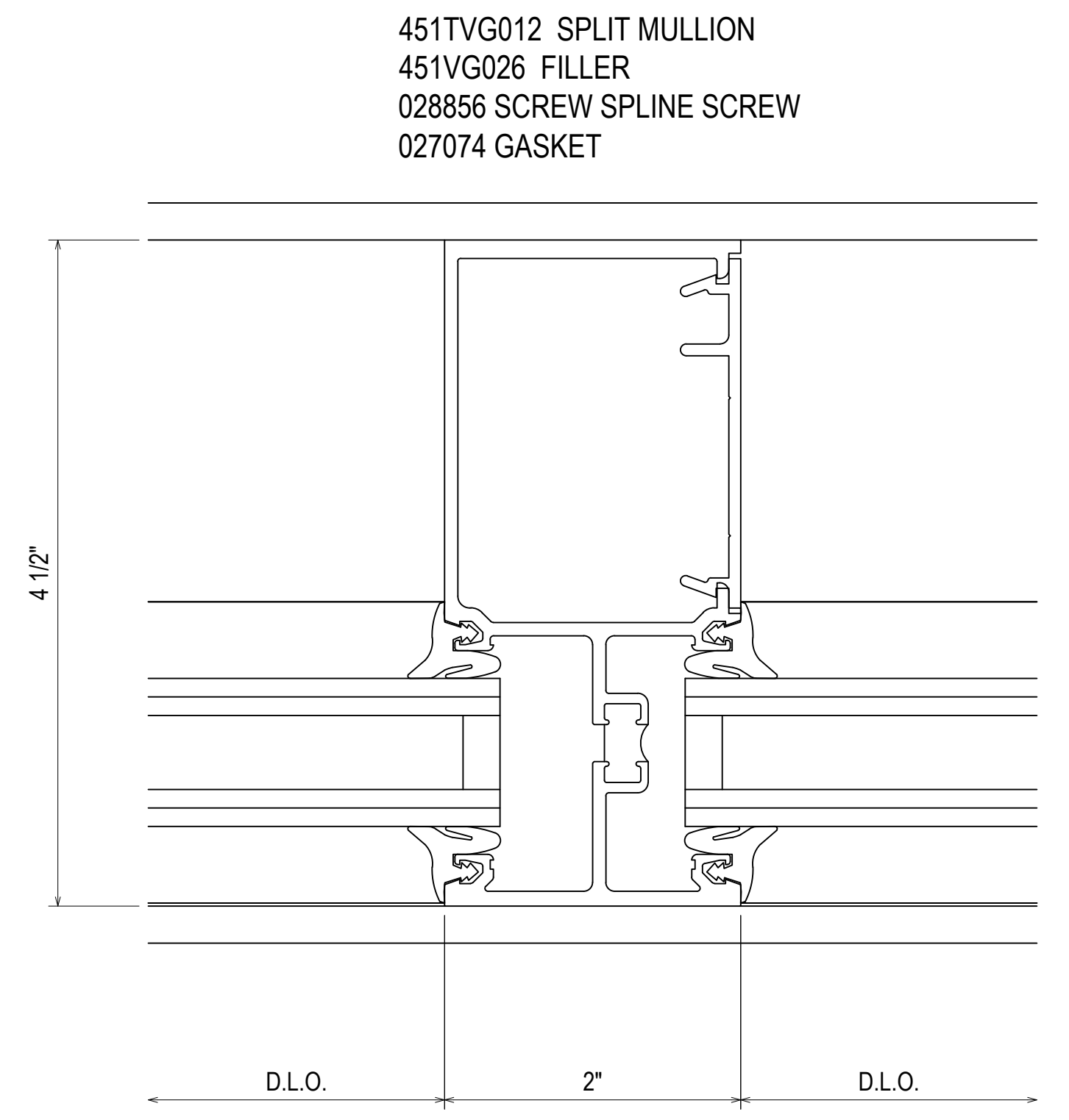
SET IN A BED  
OF SEALANT

PROJECT: CONVOY OF HOPE GLOBAL HEADQUARTERS AND TRAINING CENTER		DATE: 7.20.22	
LOCATION: 7200 W. CARNAHAN STREET SPRINGFIELD, MO 65802		DATE: 7.20.22	
DRAWN BY: DJ		DATE: 7.20.22	
CHECKED BY: RD		DATE: 7.20.22	
1ST SUBMISSION		7.20.22	
1ST REVISION		8.3.22	
NO	DESCRIPTION	NO	DATE
	DRAWING SUBMISSION		

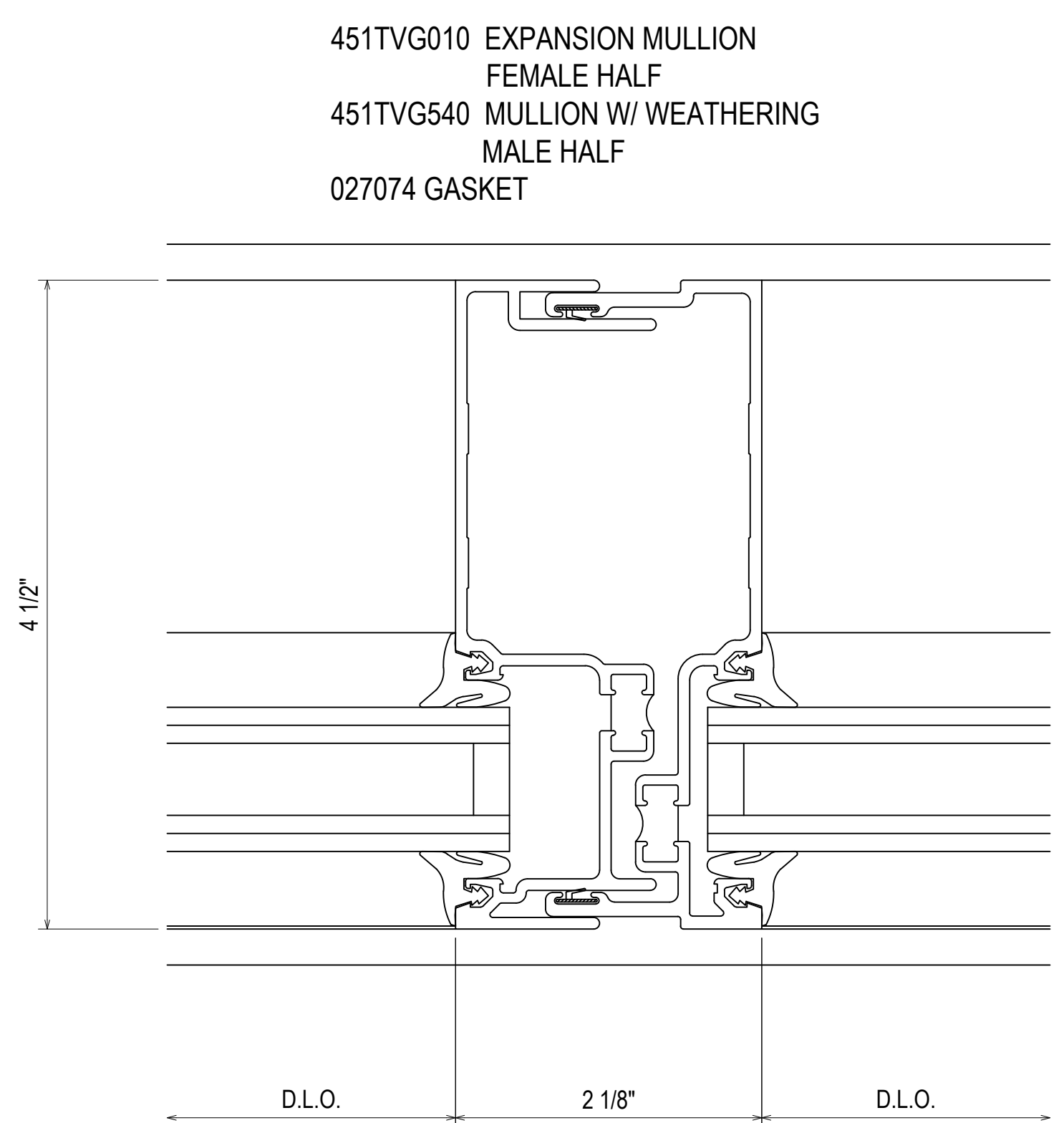
SPRINGFIELD GLASS COMPANY  
2503 NORTH OAK GROVE AVE.  
SPRINGFIELD, MO 65803  
P: 417.883.6555



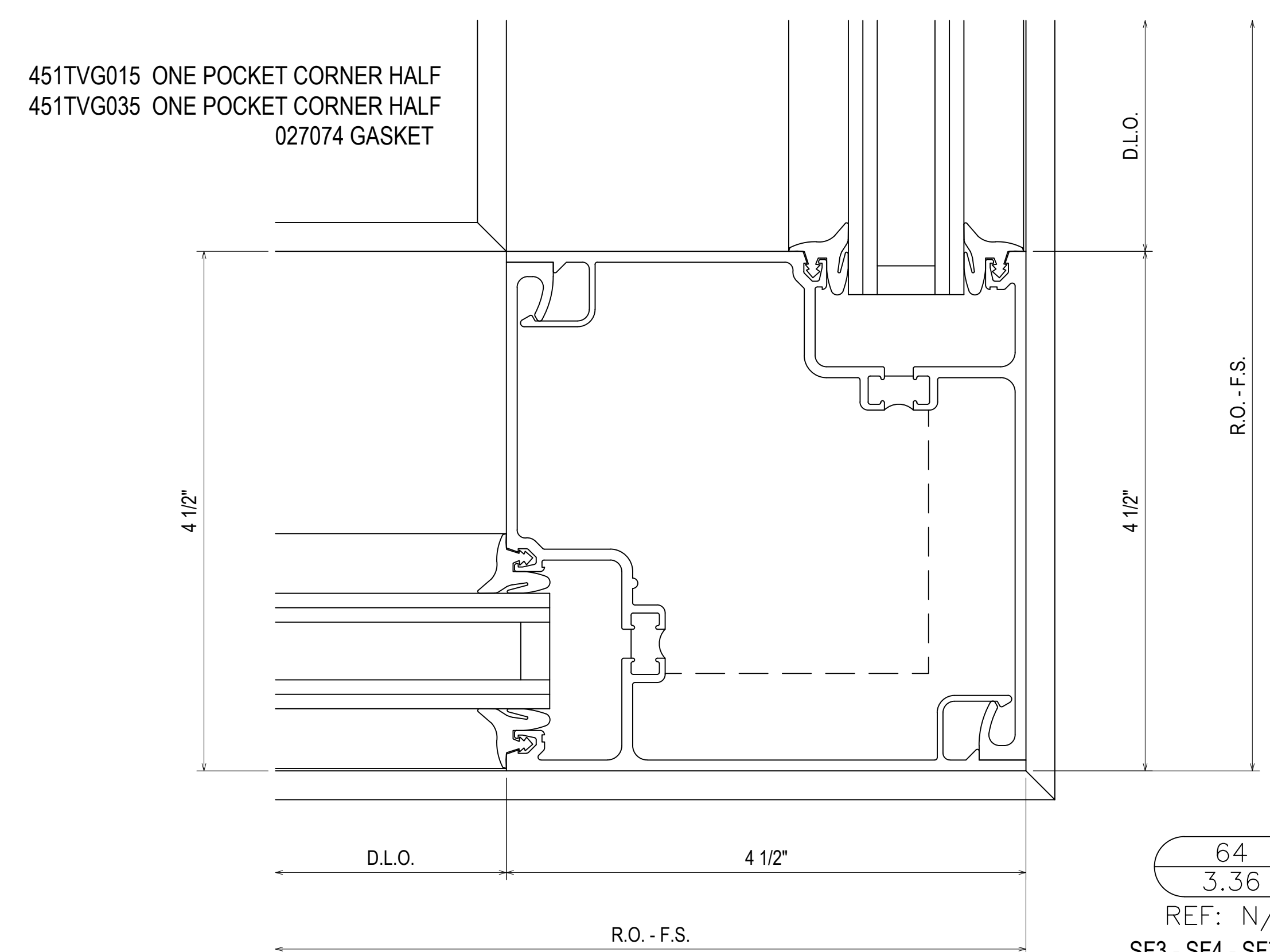
61  
3.36  
REF: 25/A6-11  
SF3 - SF6 - SF7 - SF9  
SF11



62  
3.36  
REF: N/A  
TYPICAL VERTICAL



63  
3.36  
REF: N/A  
TYPICAL EXPANSION  
VERTICAL



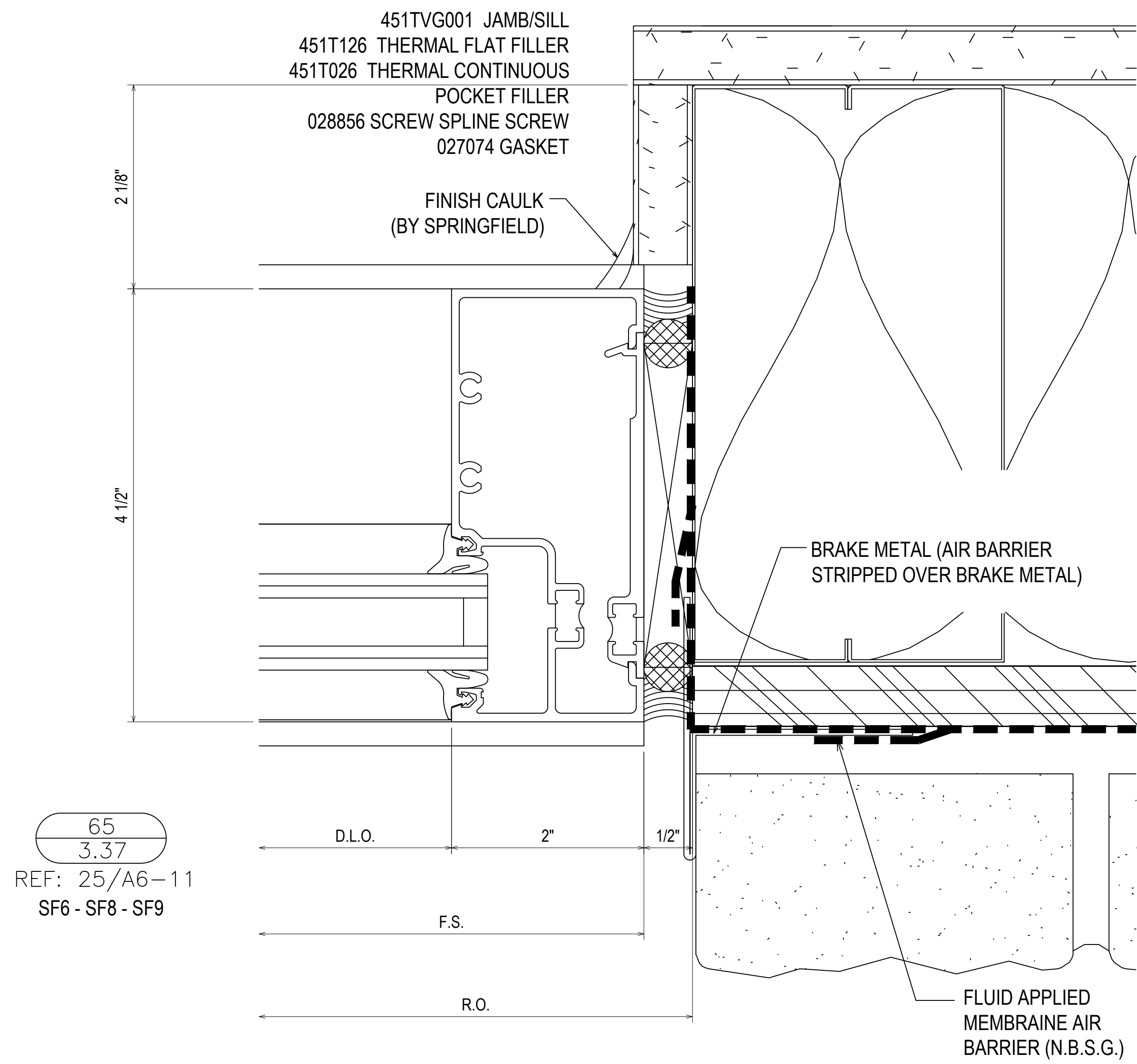
64  
3.36  
REF: N/A  
SF3 - SF4 - SF7 - SF8  
SF11 - SF12

1ST SUBMISSION	7.20.22
1ST REVISION	8.3.22
NO	DESCRIPTION
NO	DATE

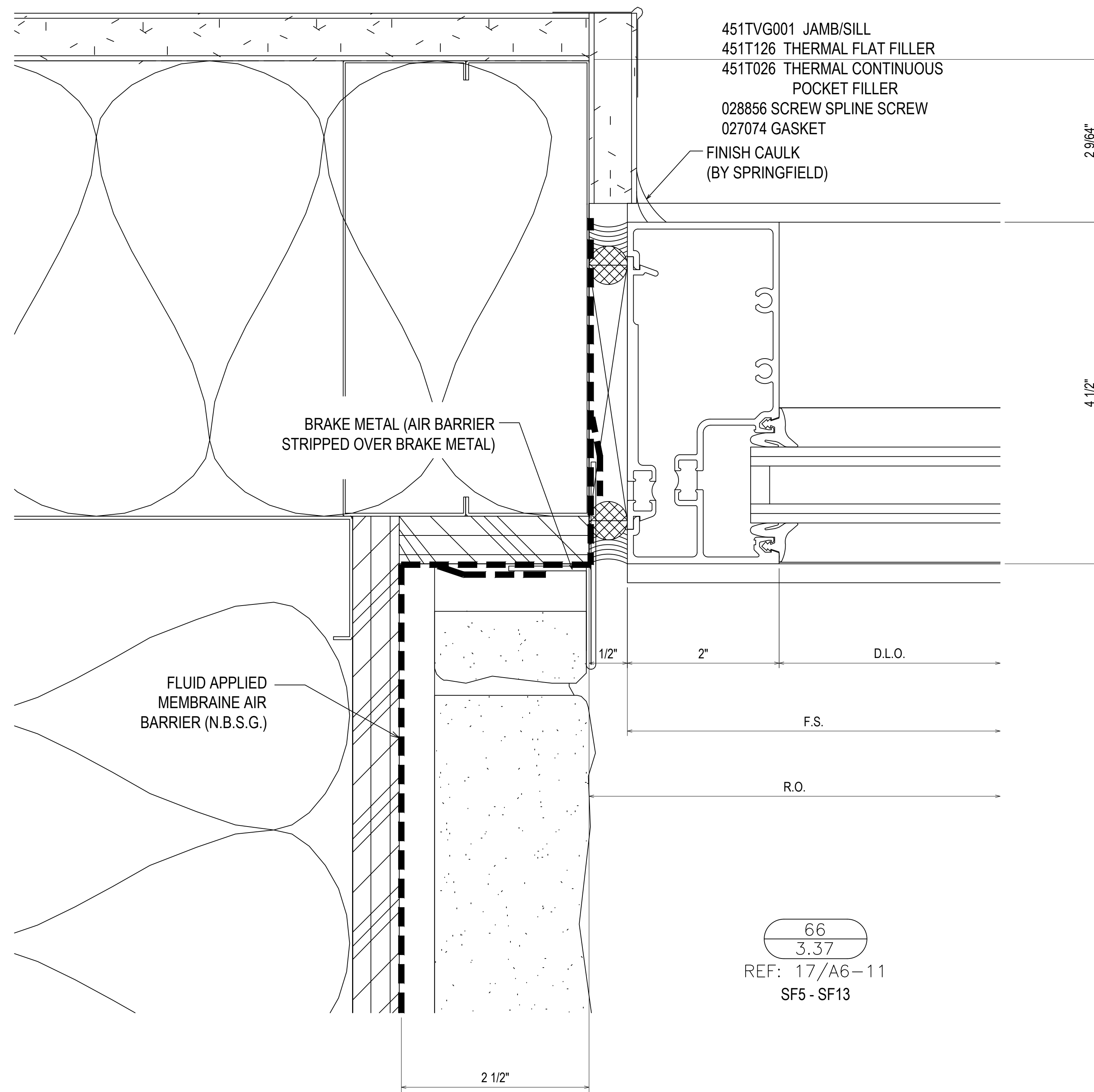
SPRINGFIELD GLASS COMPANY  
2503 NORTH OAK GROVE AVE.  
SPRINGFIELD, MO 65803  
P: 417.883.6555

PROJECT: CONVOY OF HOPE  
GLOBAL HEADQUARTERS  
AND TRAINING CENTER  
LOCATION: 7200 W. CARNAHAN STREET  
SPRINGFIELD, MO 65802

DRAWN BY:	DATE:
DJ	7.20.22
CHECKED BY:	DATE:
RD	7.20.22



65  
 3.37  
 REF: 25/A6-11  
 SF6 - SF8 - SF9



66  
 3.37  
 REF: 17/A6-11  
 SF5 - SF13

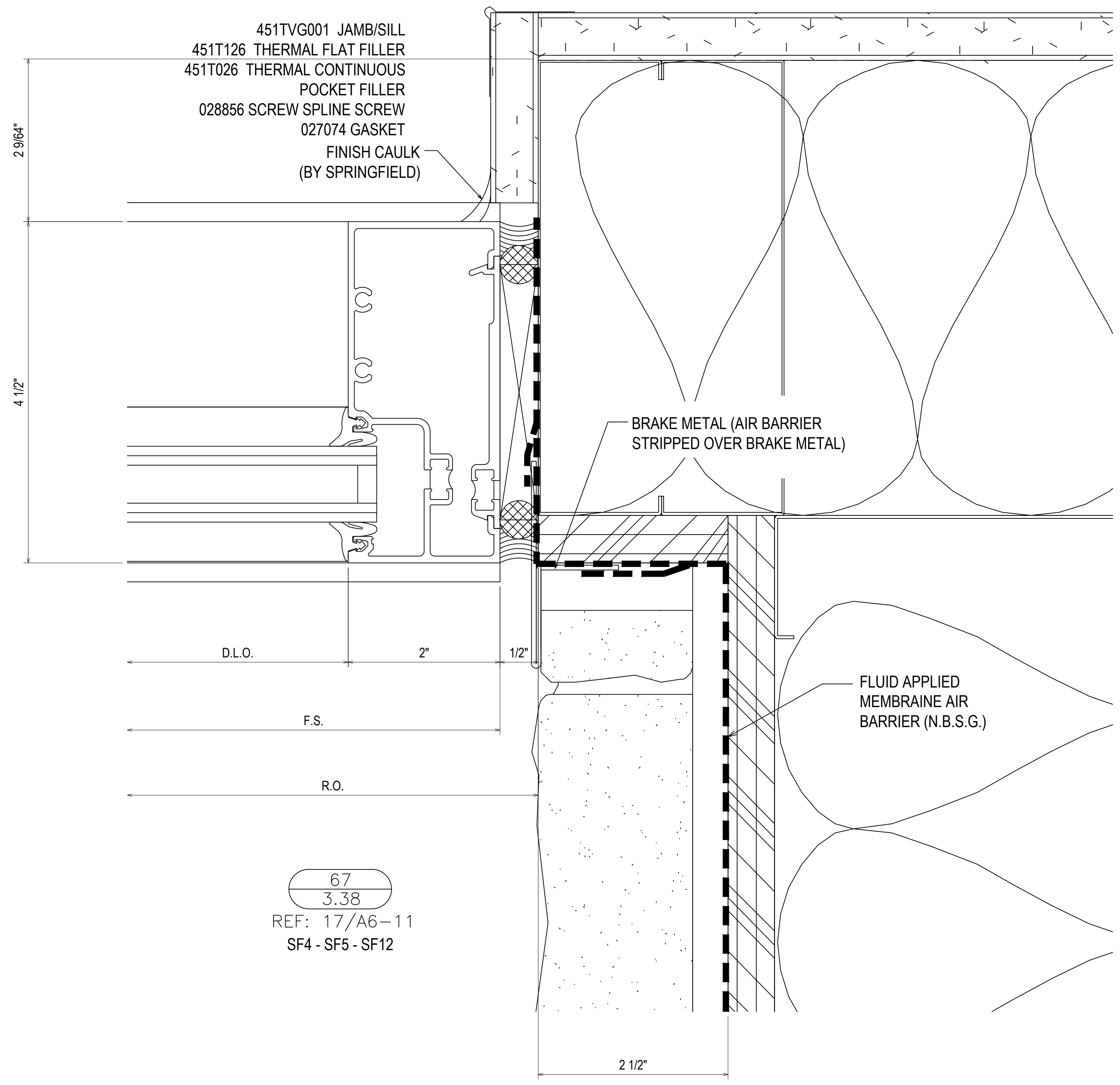
1ST SUBMISSION	7.20.22
1ST REVISION	8.3.22
NO	NO
DESCRIPTION	DATE
DRAWING SUBMISSION	

PROJECT: CONVOY OF HOPE  
 GLOBAL HEADQUARTERS  
 AND TRAINING CENTER

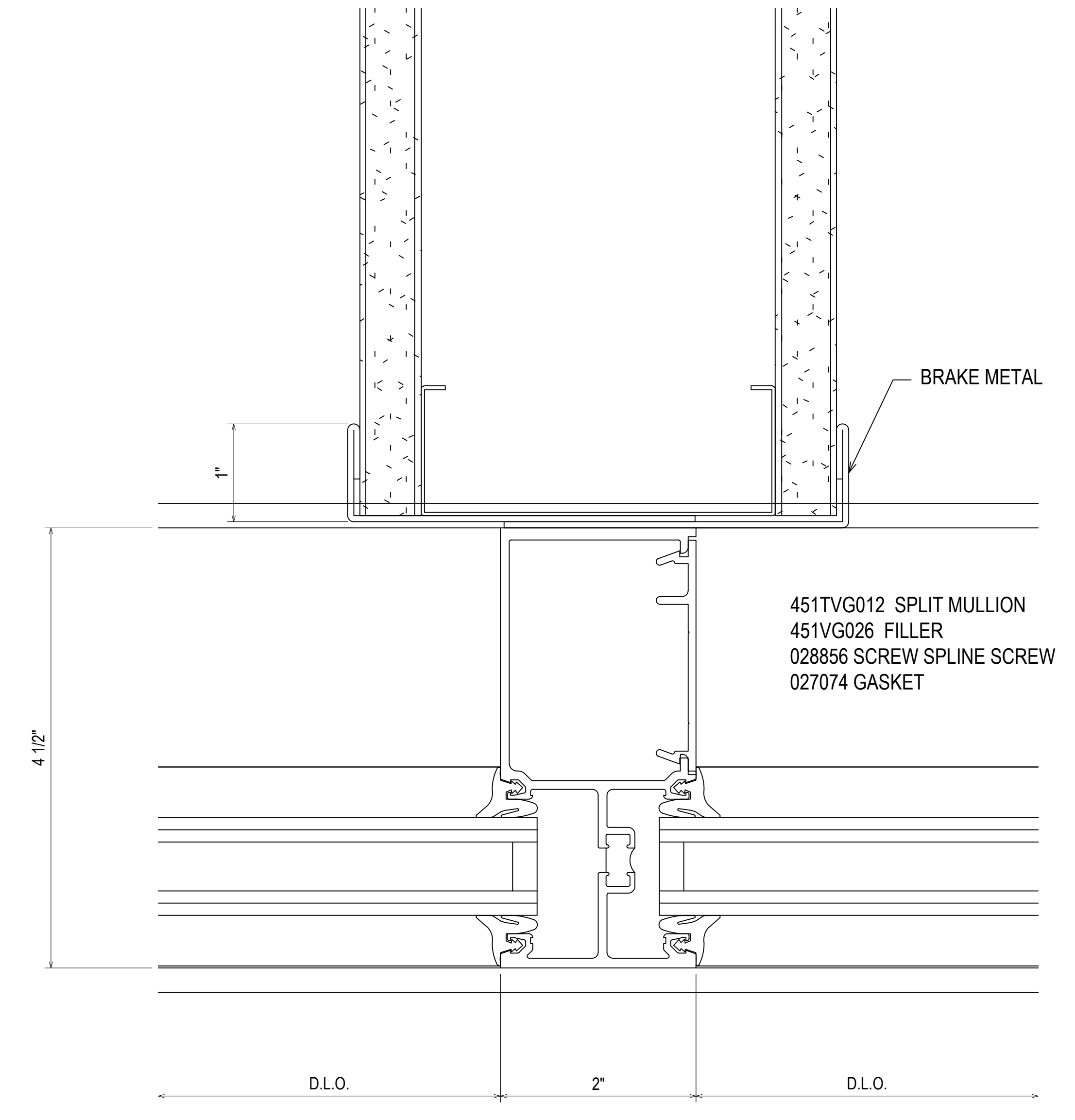
LOCATION: 7200 W. CARNAHAN STREET  
 SPRINGFIELD, MO 65802

SPRINGFIELD GLASS COMPANY  
 2503 NORTH OAK GROVE AVE.  
 SPRINGFIELD, MO 65803  
 P: 417.883.6555

DRAWN BY:	DATE:
DJ	7.20.22
CHECKED BY:	DATE:
RD	7.20.22

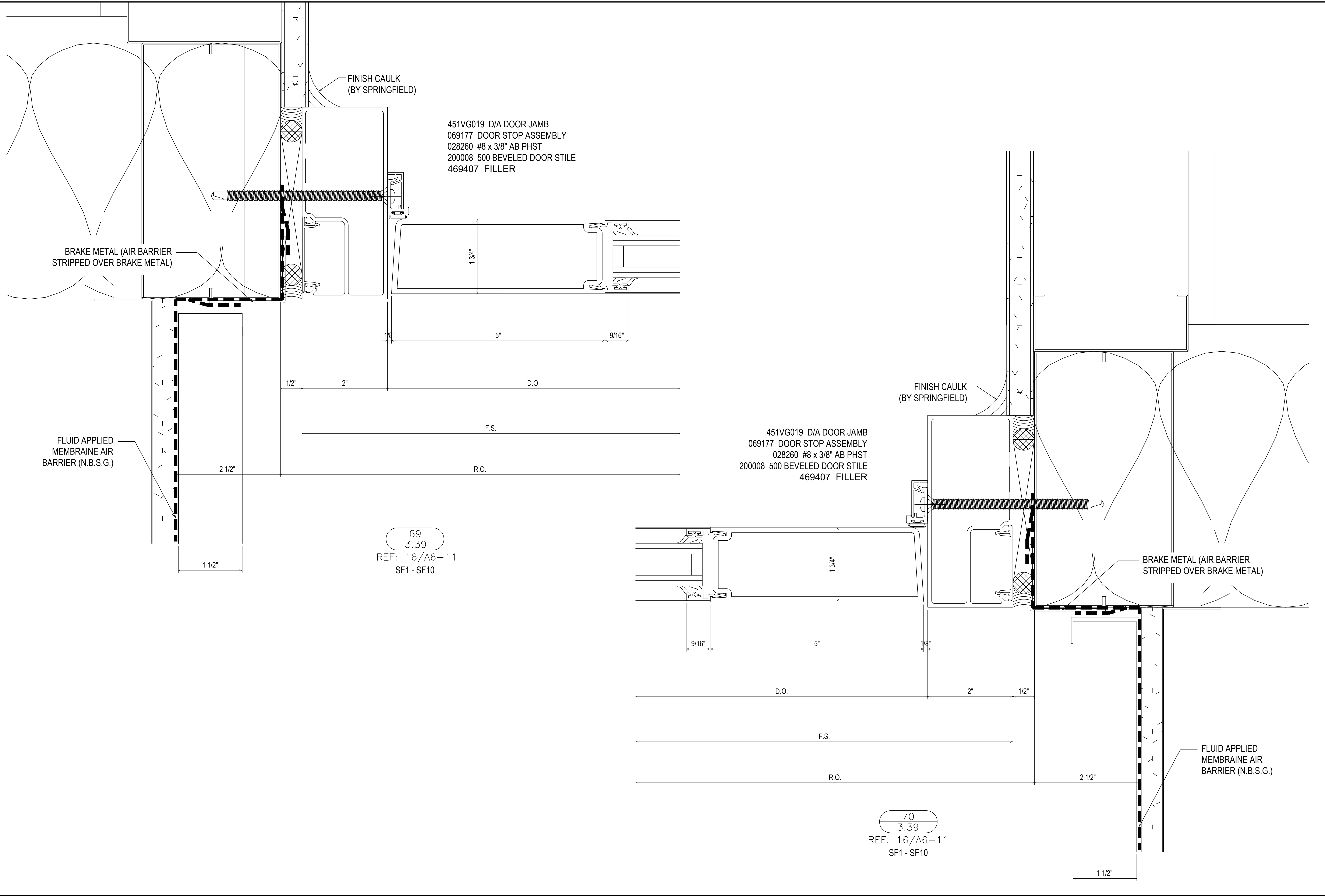


67  
3.38  
REF: 17/A6-11  
SF4 - SF5 - SF12



68  
3.38  
REF: 27/A6-11  
SF3 - SF11 - SF12

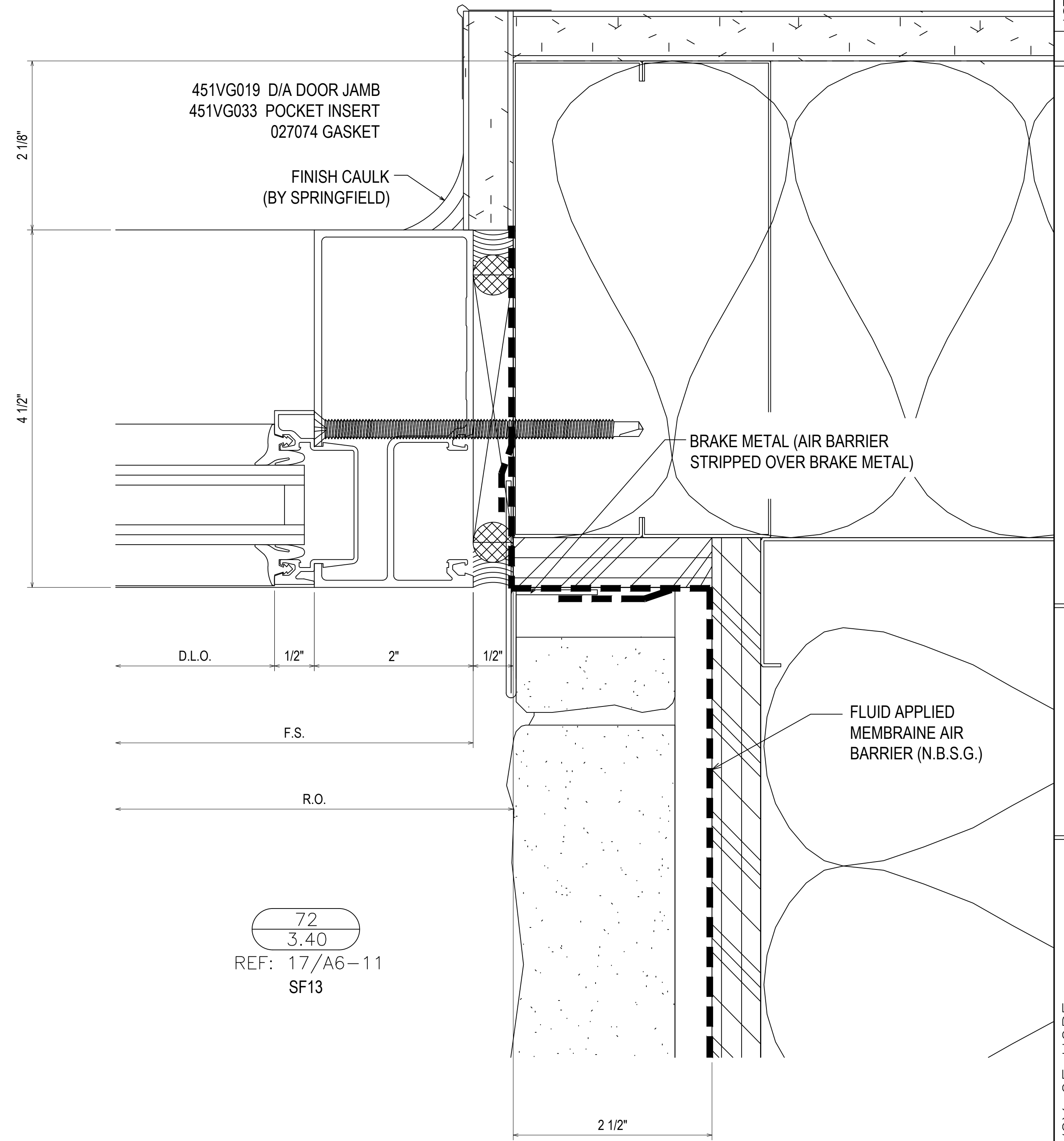
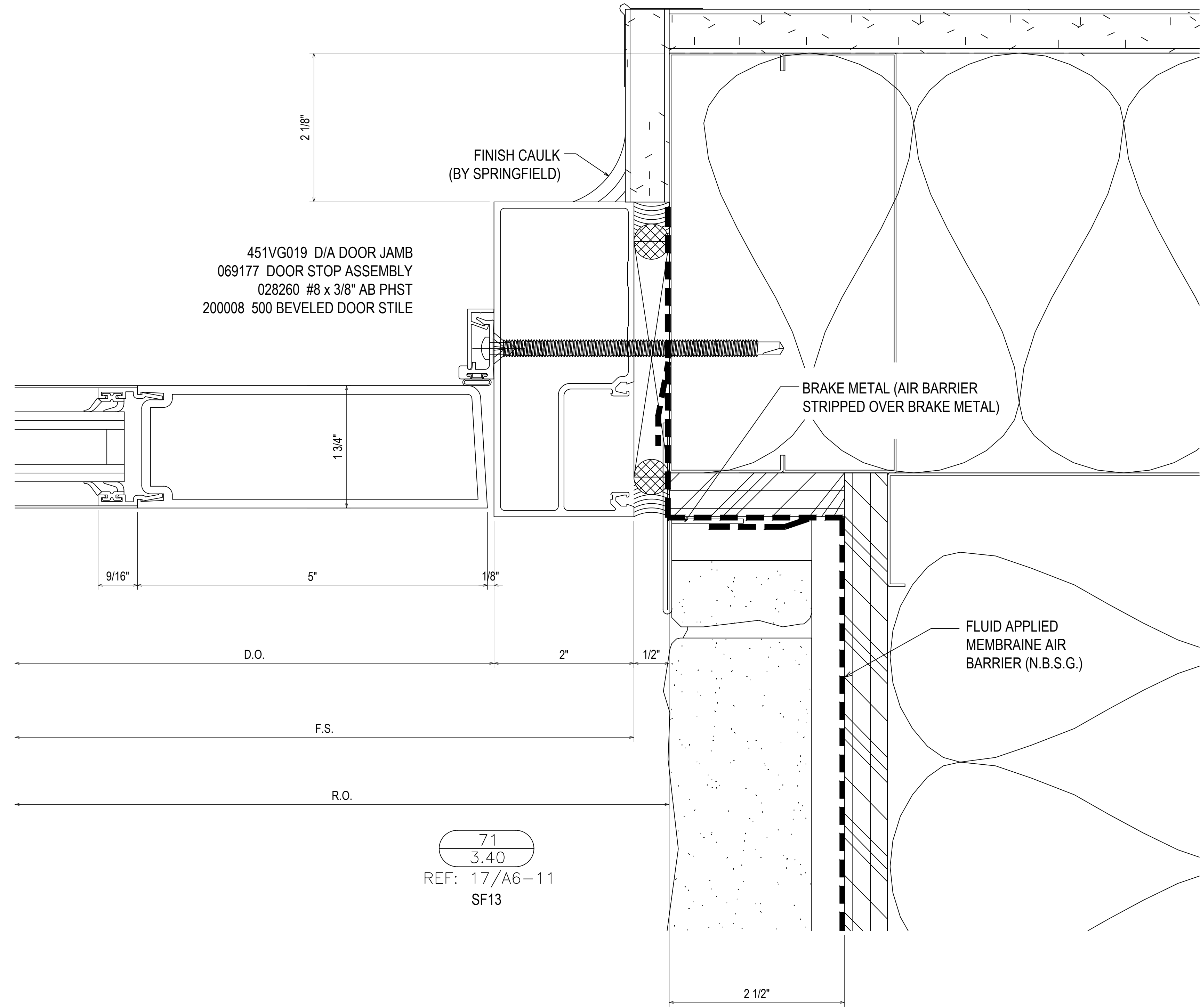
PROJECT:	CONVOY OF HOPE GLOBAL HEADQUARTERS AND TRAINING CENTER		LOCATION:	7200 W. CARNAHAN STREET SPRINGFIELD, MO 65802	
DRAWN BY:	DJ	DATE:	7.20.22		
CHECKED BY:	RD	DATE:	7.20.22		
1ST SUBMISSION	7.20.22	1ST REVISION	8.3.22	NO	DESCRIPTION
					DRAWING SUBMISSION
SPRINGFIELD GLASS COMPANY 2503 NORTH OAK GROVE AVE. SPRINGFIELD, MO 65803 P: 417.883.6555					
<b>3.38</b>					



69  
3.39  
REF: 16/A6-11  
SF1 - SF10

70  
3.39  
REF: 16/A6-11  
SF1 - SF10

7.20.22	1ST SUBMISSION		
8.3.22	1ST REVISION		
		NO	DATE
		NO	DATE
		DESCRIPTION	DRAWING SUBMISSION
PROJECT: CONVOY OF HOPE GLOBAL HEADQUARTERS AND TRAINING CENTER LOCATION: 7200 W. CARNAHAN STREET SPRINGFIELD, MO 65802			
SPRINGFIELD GLASS COMPANY 2503 NORTH OAK GROVE AVE. SPRINGFIELD, MO 65803 P: 417.883.6555			
<b>3.39</b>			



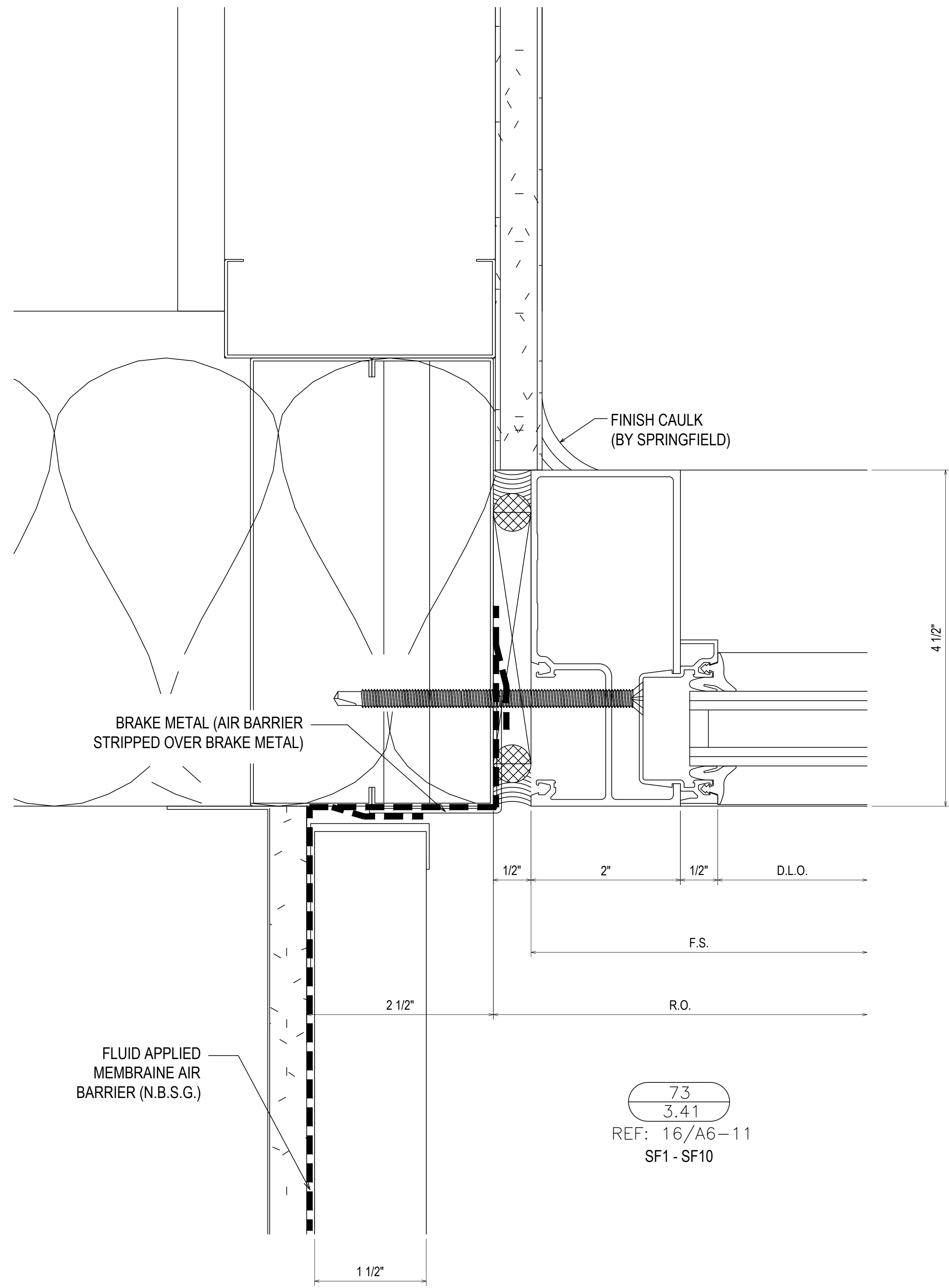
1ST SUBMISSION	7.20.22
1ST REVISION	8.3.22
NO	DESCRIPTION
NO	DATE

SPRINGFIELD GLASS COMPANY  
2503 NORTH OAK GROVE AVE.  
SPRINGFIELD, MO 65803  
P: 417.883.6555

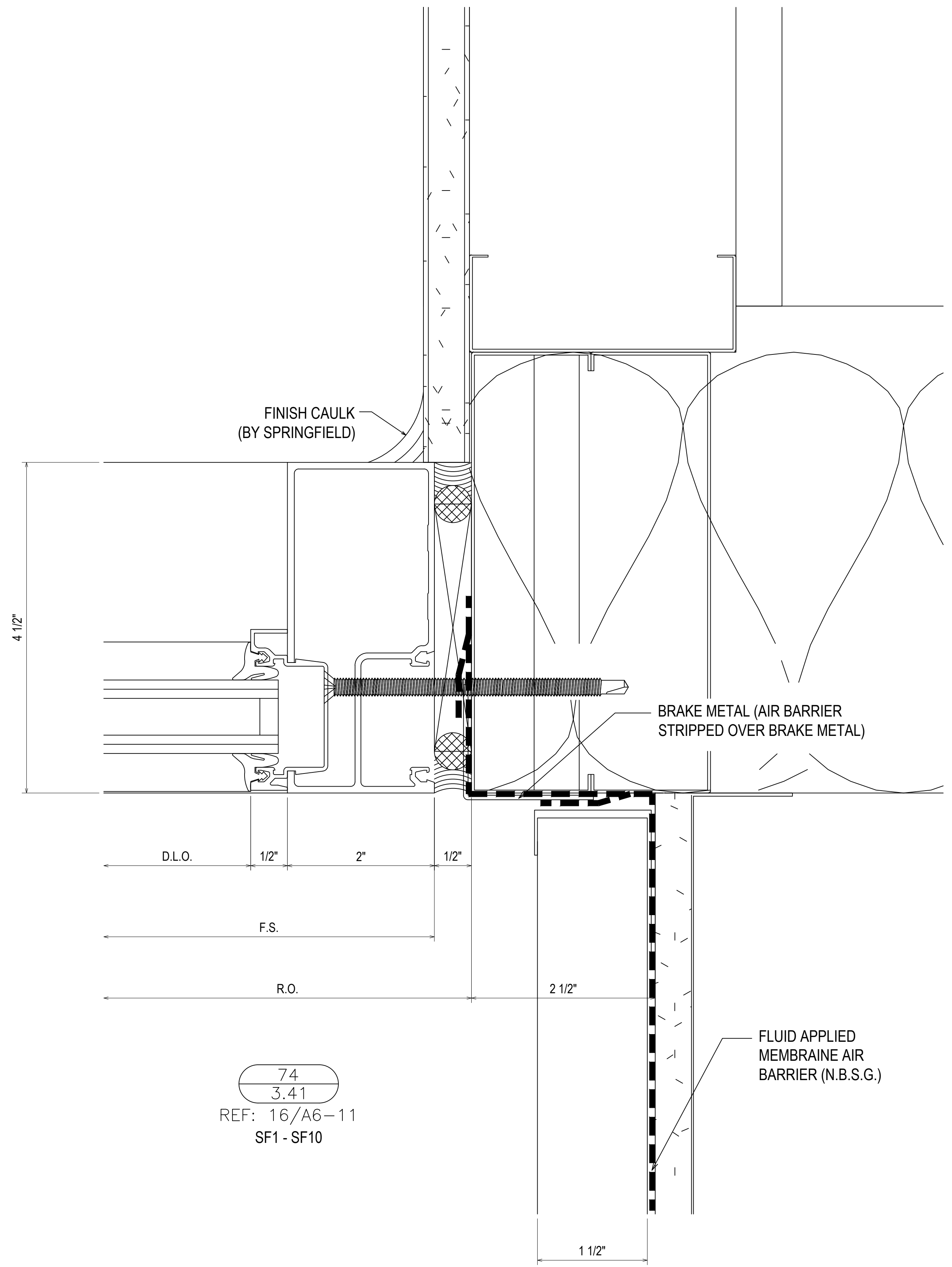
PROJECT: CONVOY OF HOPE  
GLOBAL HEADQUARTERS  
AND TRAINING CENTER  
LOCATION: 7200 W. CARNAHAN STREET  
SPRINGFIELD, MO 65802

DRAWN BY:	DATE:
DJ	7.20.22
CHECKED BY:	DATE:
RD	7.20.22





73  
3.41  
REF: 16/A6-11  
SF1 - SF10



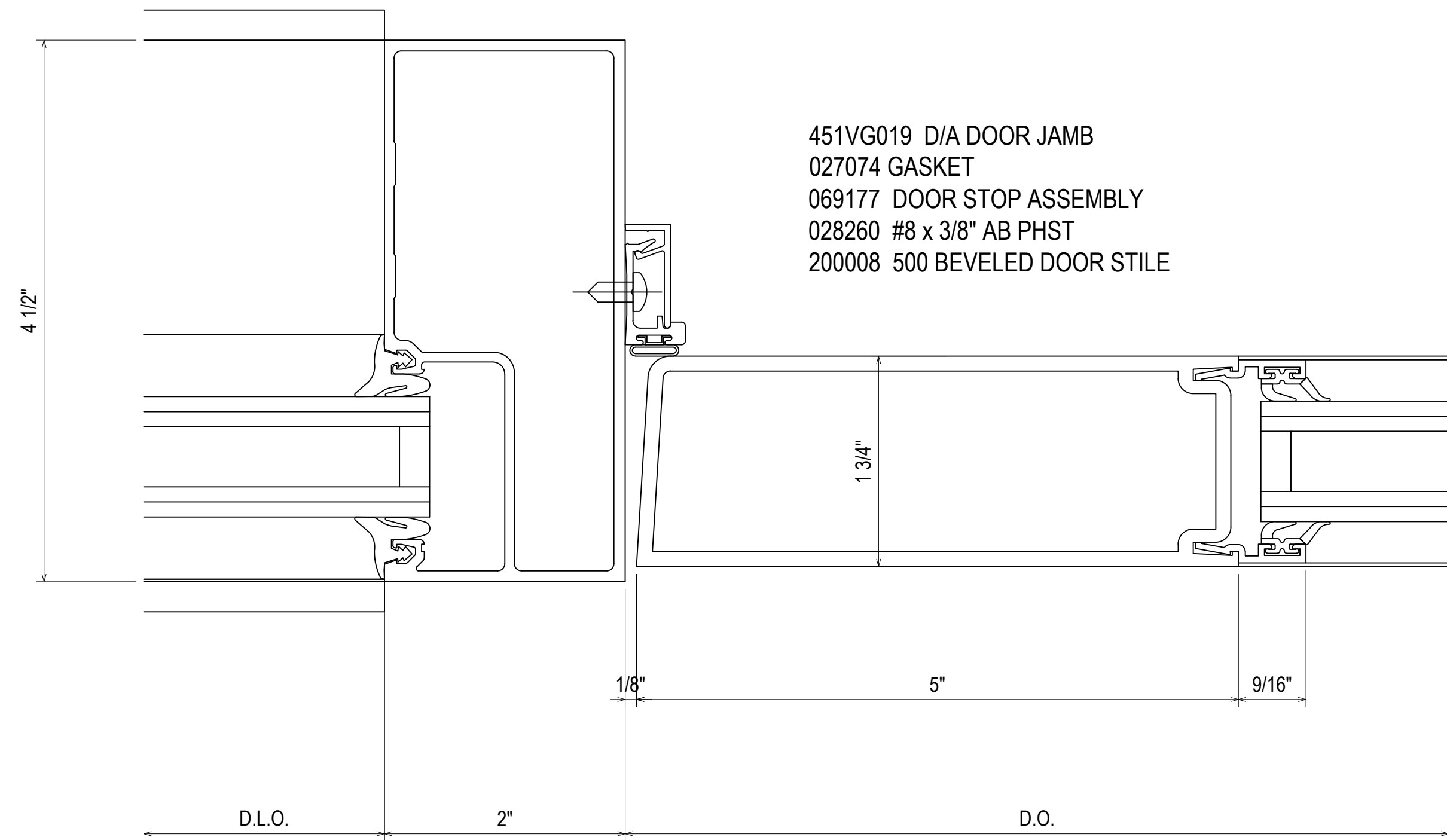
74  
3.41  
REF: 16/A6-11  
SF1 - SF10

1ST SUBMISSION	7.20.22
1ST REVISION	8.3.22
NO	DESCRIPTION
NO	DATE

SPRINGFIELD GLASS COMPANY  
2503 NORTH OAK GROVE AVE.  
SPRINGFIELD, MO 65803  
P: 417.883.6555

PROJECT: CONVOY OF HOPE  
GLOBAL HEADQUARTERS  
AND TRAINING CENTER  
LOCATION: 7200 W. CARNAHAN STREET  
SPRINGFIELD, MO 65802

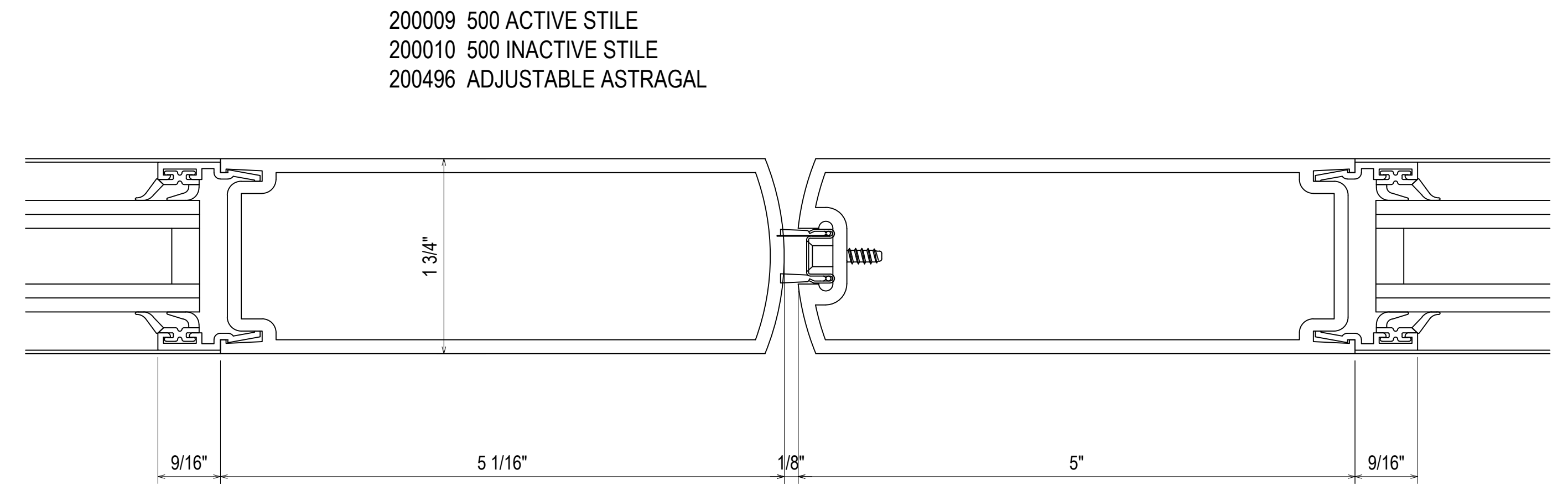
DRAWN BY:	DATE:
DJ	7.20.22
CHECKED BY:	DATE:
RD	7.20.22



451VG019 D/A DOOR JAMB  
 027074 GASKET  
 069177 DOOR STOP ASSEMBLY  
 028260 #8 x 3/8" AB PHST  
 200008 500 BEVELED DOOR STILE

75  
 3.42

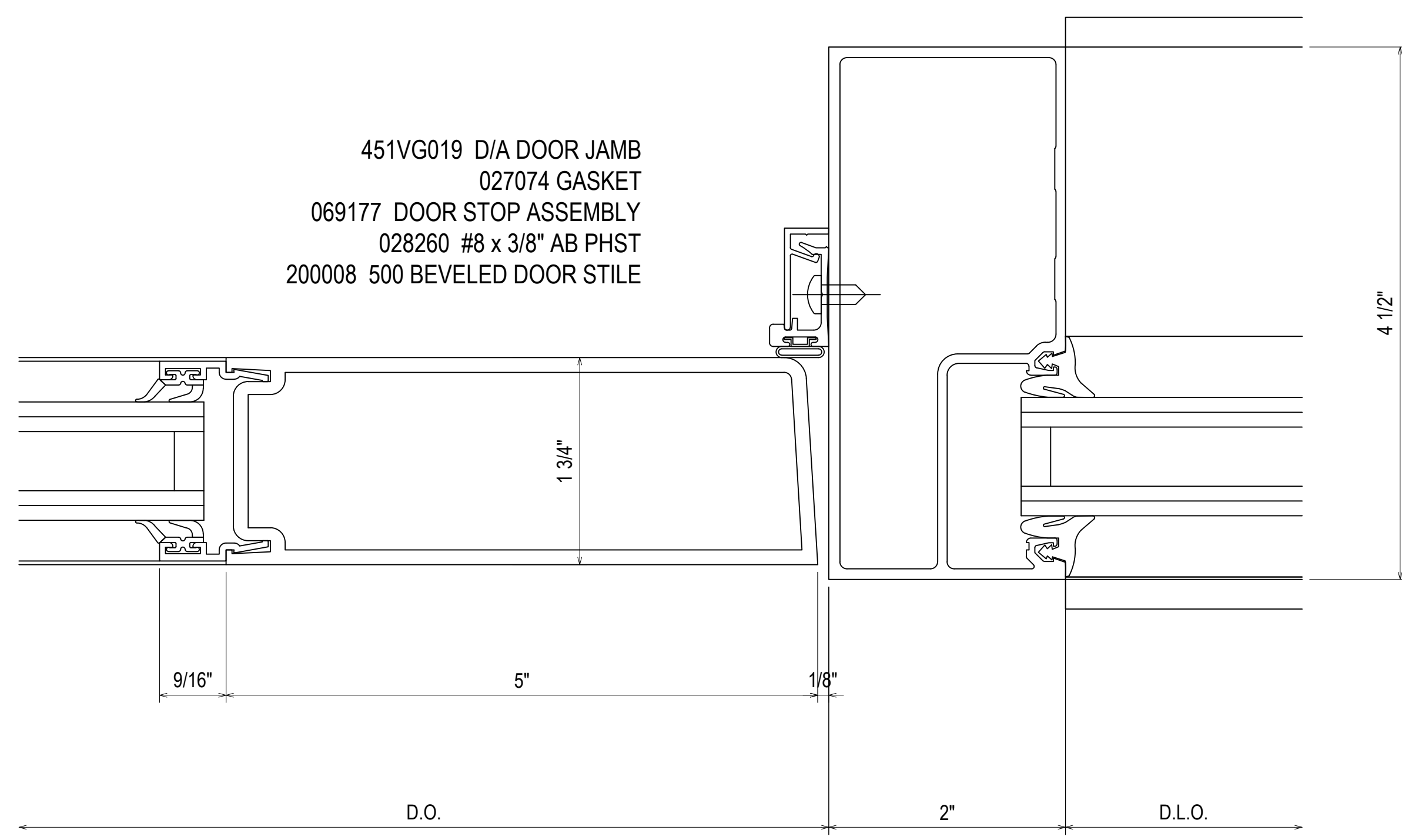
REF: N/A  
 SF1 - SF5 - SF6 - SF10 - SF13



200009 500 ACTIVE STILE  
 200010 500 INACTIVE STILE  
 200496 ADJUSTABLE ASTRAGAL

76  
 3.42

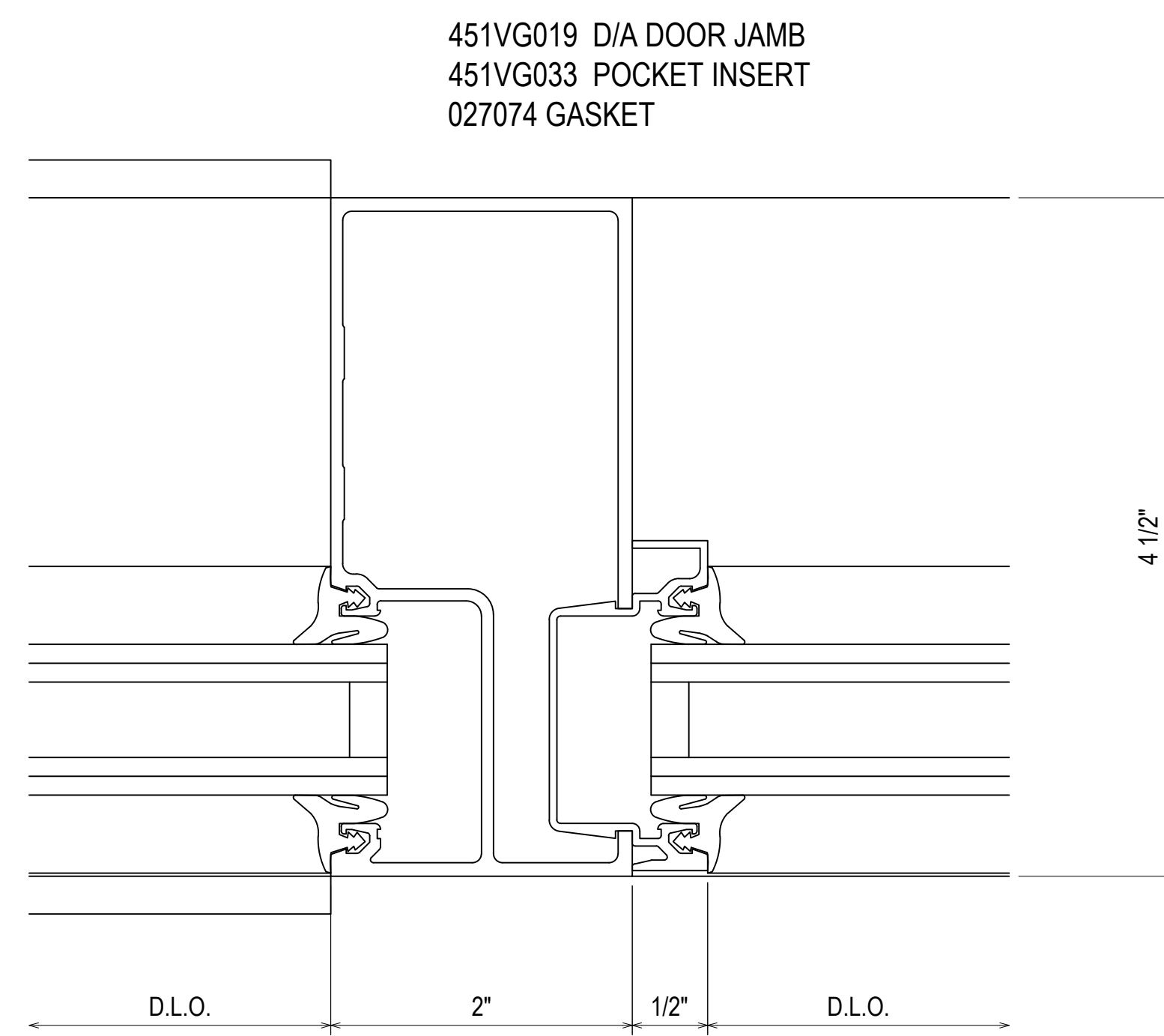
REF: N/A  
 SF1 - SF5 - SF10 - SF13



451VG019 D/A DOOR JAMB  
 027074 GASKET  
 069177 DOOR STOP ASSEMBLY  
 028260 #8 x 3/8" AB PHST  
 200008 500 BEVELED DOOR STILE

77  
 3.42

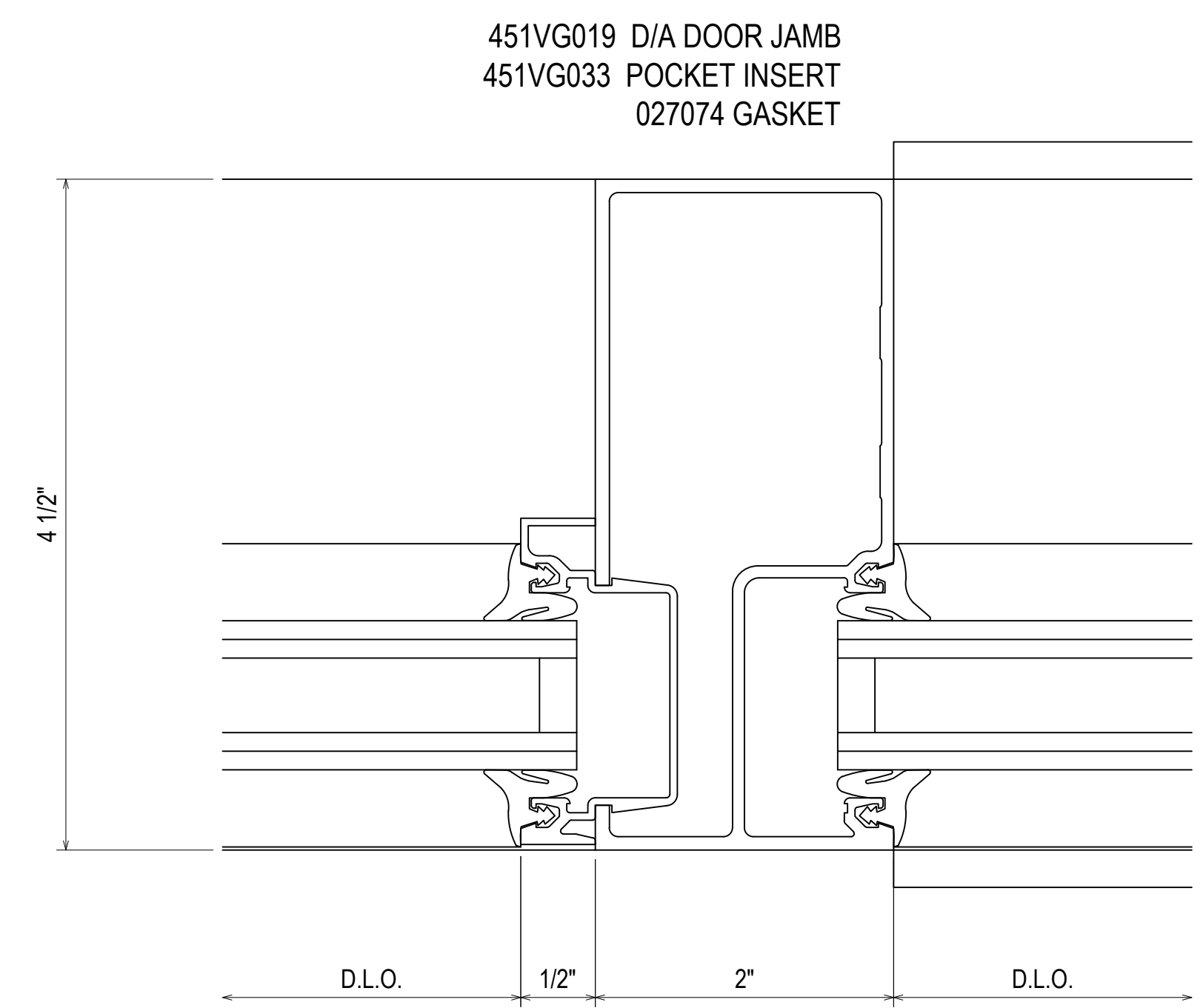
REF: N/A  
 SF1 - SF5 - SF6 - SF10



451VG019 D/A DOOR JAMB  
 451VG033 POCKET INSERT  
 027074 GASKET

78  
 3.42

REF: N/A  
 SF1 - SF5 - SF6 - SF10 - SF13



451VG019 D/A DOOR JAMB  
 451VG033 POCKET INSERT  
 027074 GASKET

79  
 3.42

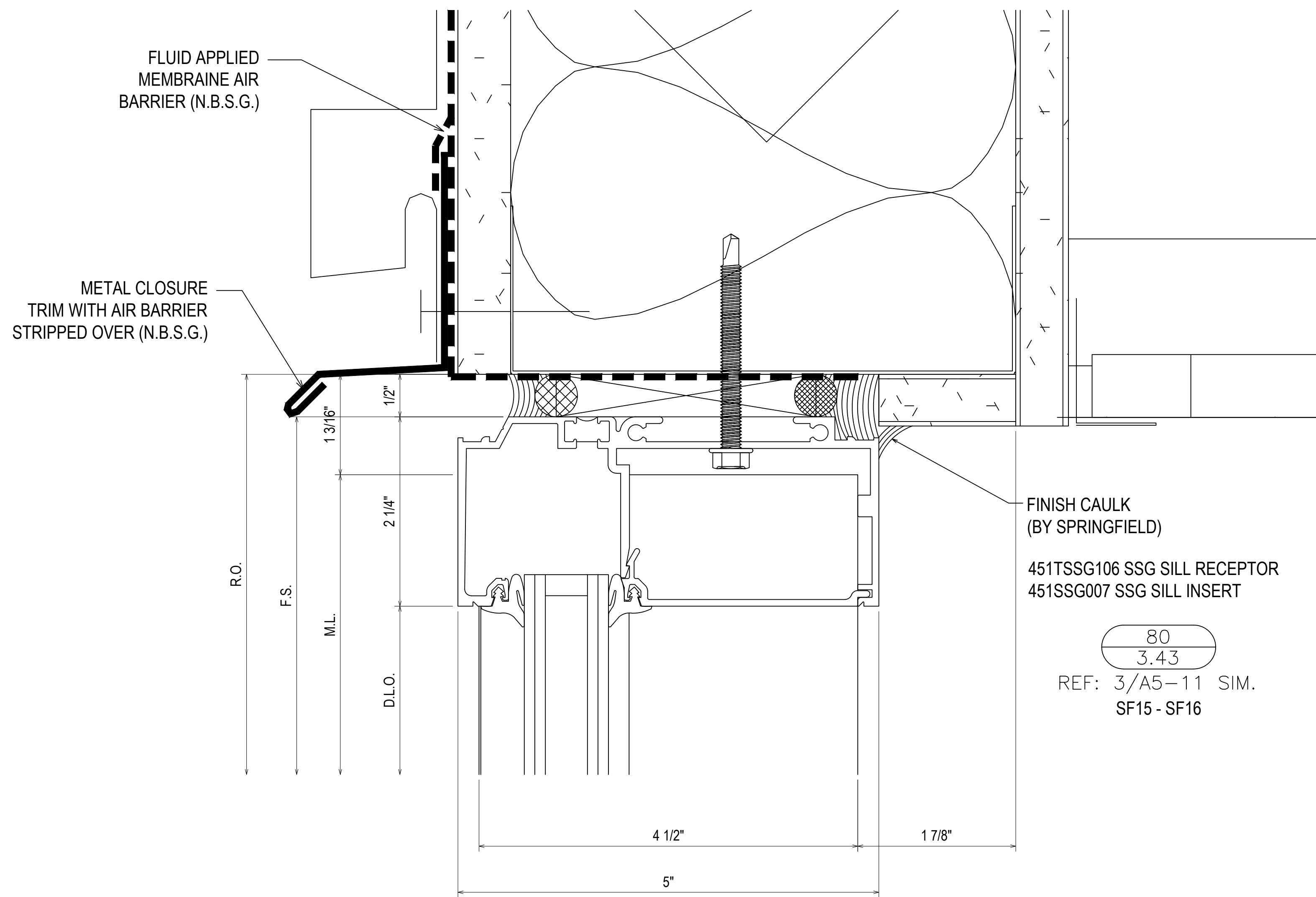
REF: N/A  
 SF1 - SF5 - SF6 - SF10

1ST SUBMISSION	7.20.22
1ST REVISION	8.3.22
NO	DESCRIPTION
NO	DATE

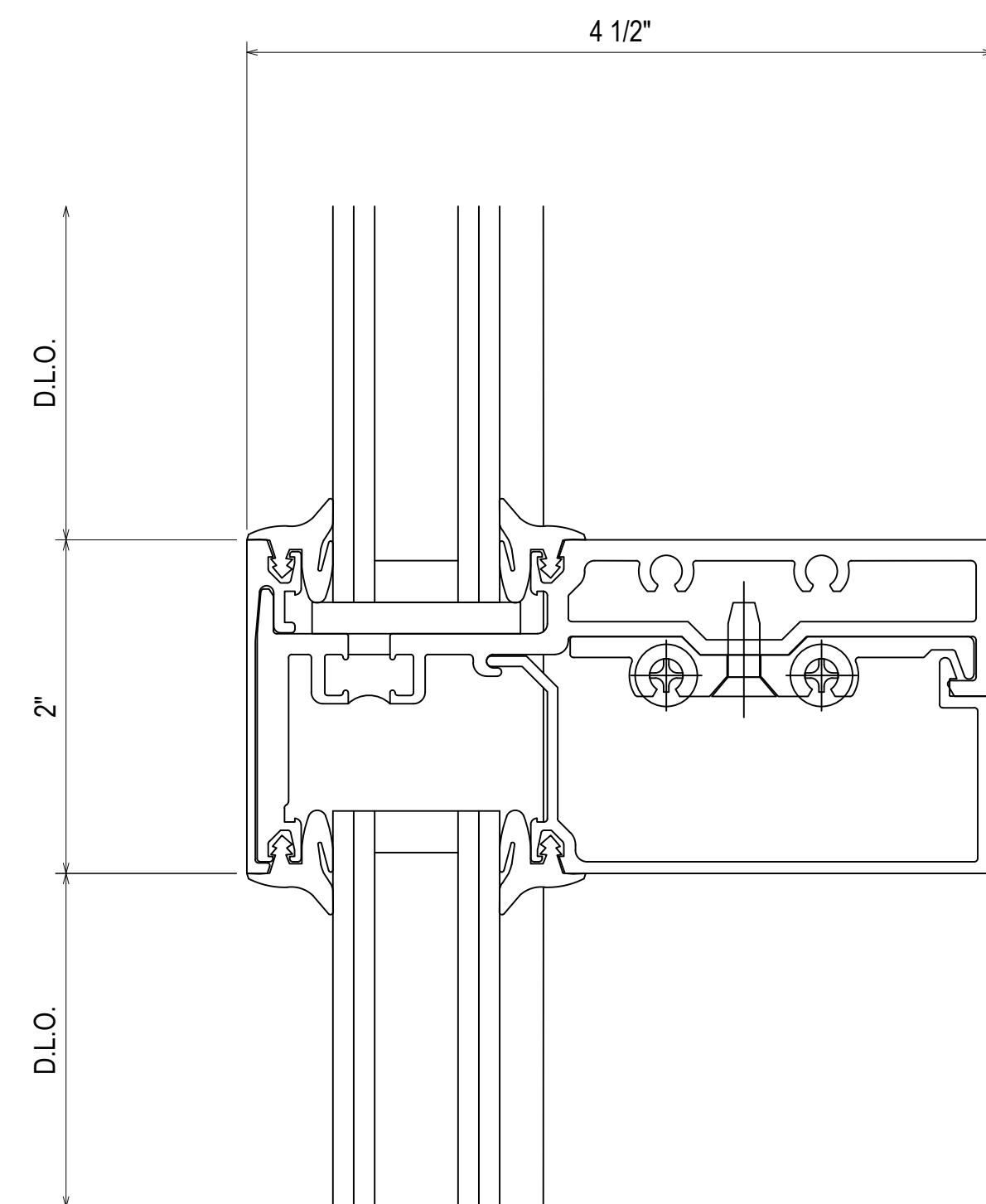
SPRINGFIELD GLASS COMPANY  
 2503 NORTH OAK GROVE AVE.  
 SPRINGFIELD, MO 65803  
 P: 417.883.6555

PROJECT: CONVOY OF HOPE  
 GLOBAL HEADQUARTERS  
 AND TRAINING CENTER  
 LOCATION: 7200 W. CARNAHAN STREET  
 SPRINGFIELD, MO 65802

DRAWN BY:	DATE:
DJ	7.20.22
CHECKED BY:	DATE:
RD	7.20.22

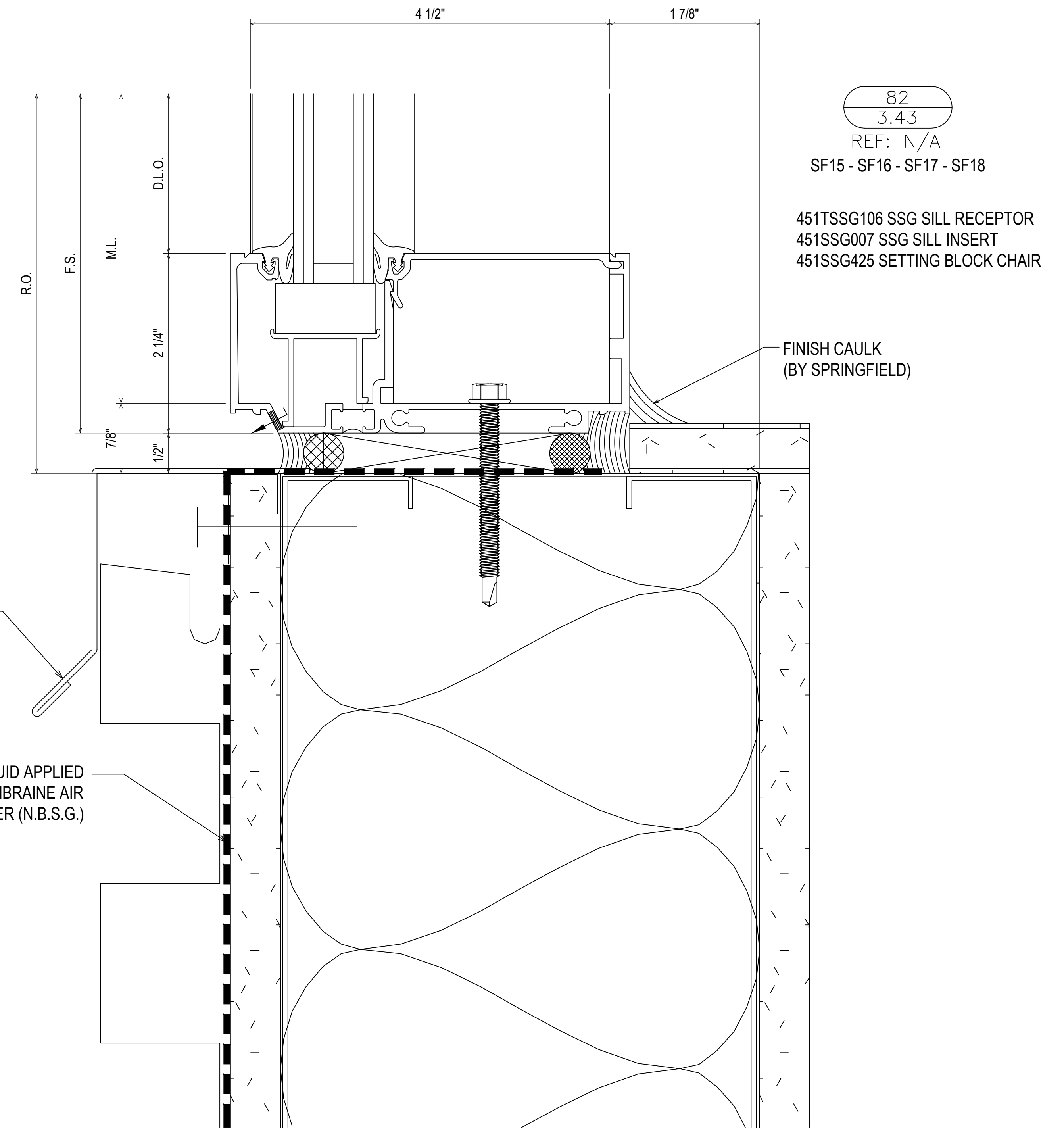


80  
3.43  
REF: 3/A5-11 SIM.  
SF15 - SF16



81  
3.43  
REF: N/A  
TYPICAL HORIZONTAL

451TSSG111 SSG HORIZONTAL  
451SSG004 SSG HORIZONTAL COVER  
451VG525 SHEAR BLOCK PACKAGE  
451VG104 GLASS STOP



82  
3.43  
REF: N/A  
SF15 - SF16 - SF17 - SF18

451TSSG106 SSG SILL RECEPTOR  
451SSG007 SSG SILL INSERT  
451SSG425 SETTING BLOCK CHAIR

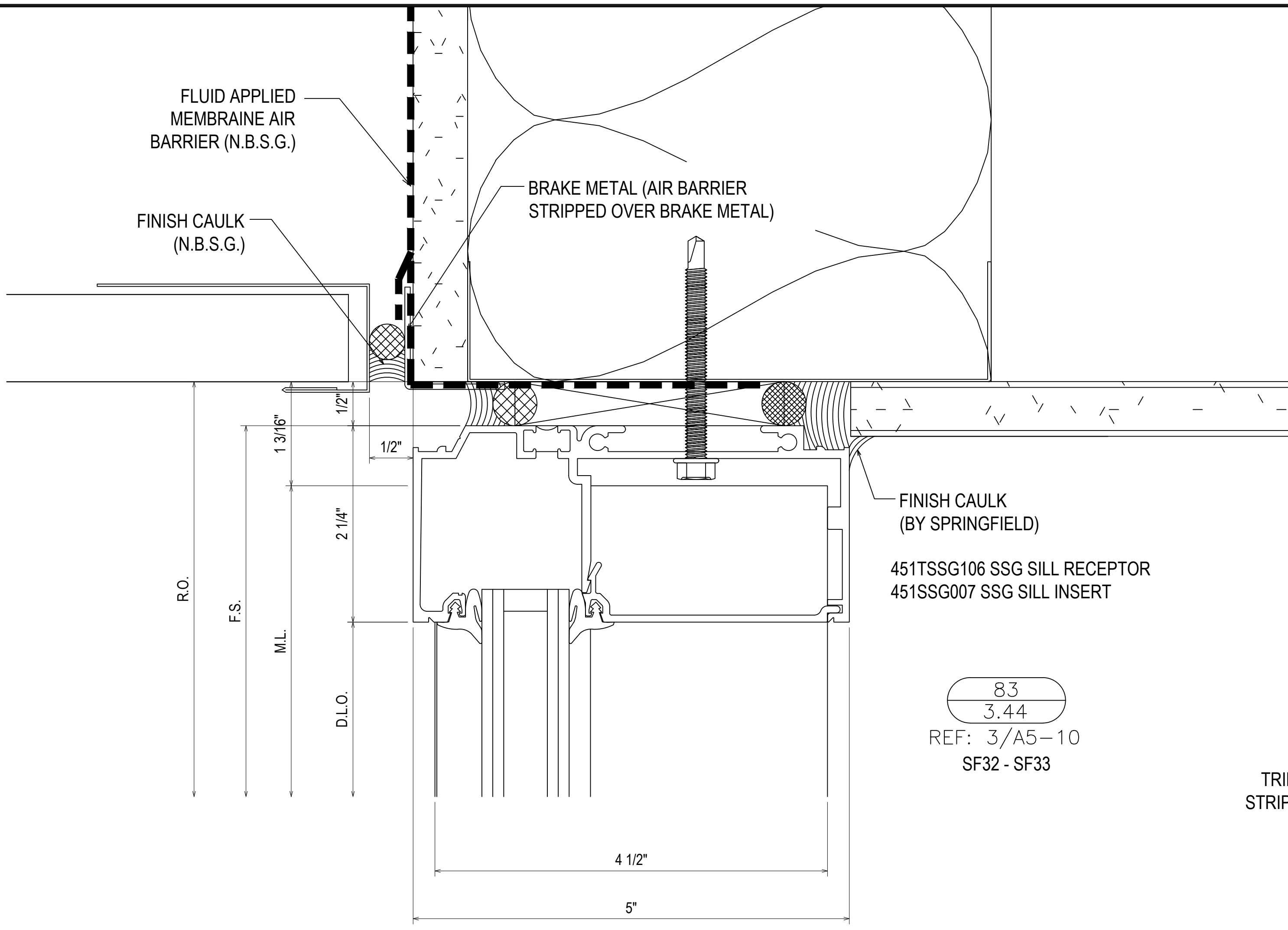
1ST SUBMISSION	7.20.22
1ST REVISION	8.3.22
NO	DESCRIPTION
NO	DATE

PROJECT: CONVOY OF HOPE  
GLOBAL HEADQUARTERS  
AND TRAINING CENTER  
7200 W. CARNAHAN STREET  
SPRINGFIELD, MO 65802

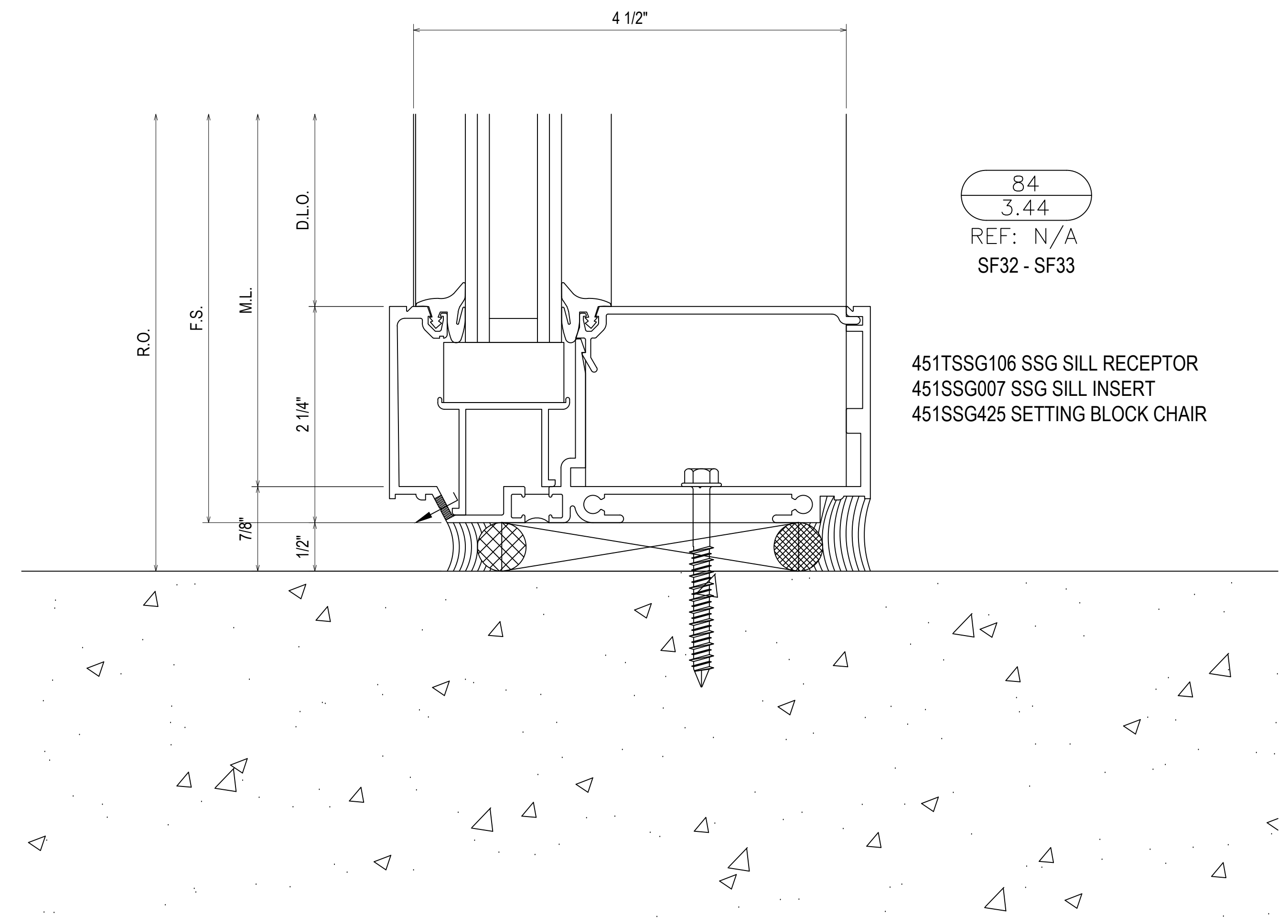
SPRINGFIELD GLASS COMPANY  
2503 NORTH OAK GROVE AVE.  
SPRINGFIELD, MO 65803  
P: 417.883.6555

DRAWN BY:	DATE:
DJ	7.20.22
CHECKED BY:	DATE:
RD	7.20.22

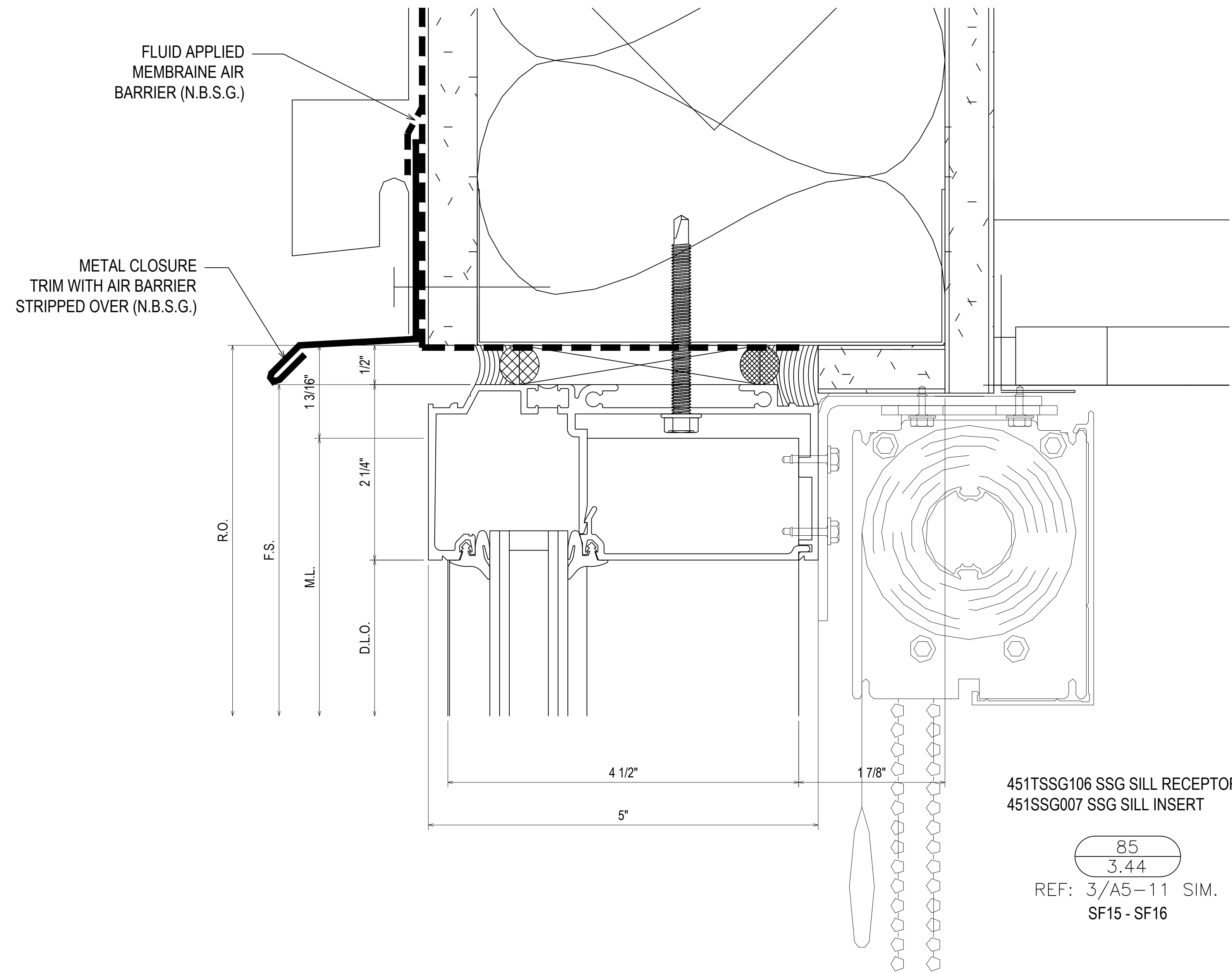
3.43



83  
3.44  
REF: 3/A5-10  
SF32 - SF33



84  
3.44  
REF: N/A  
SF32 - SF33



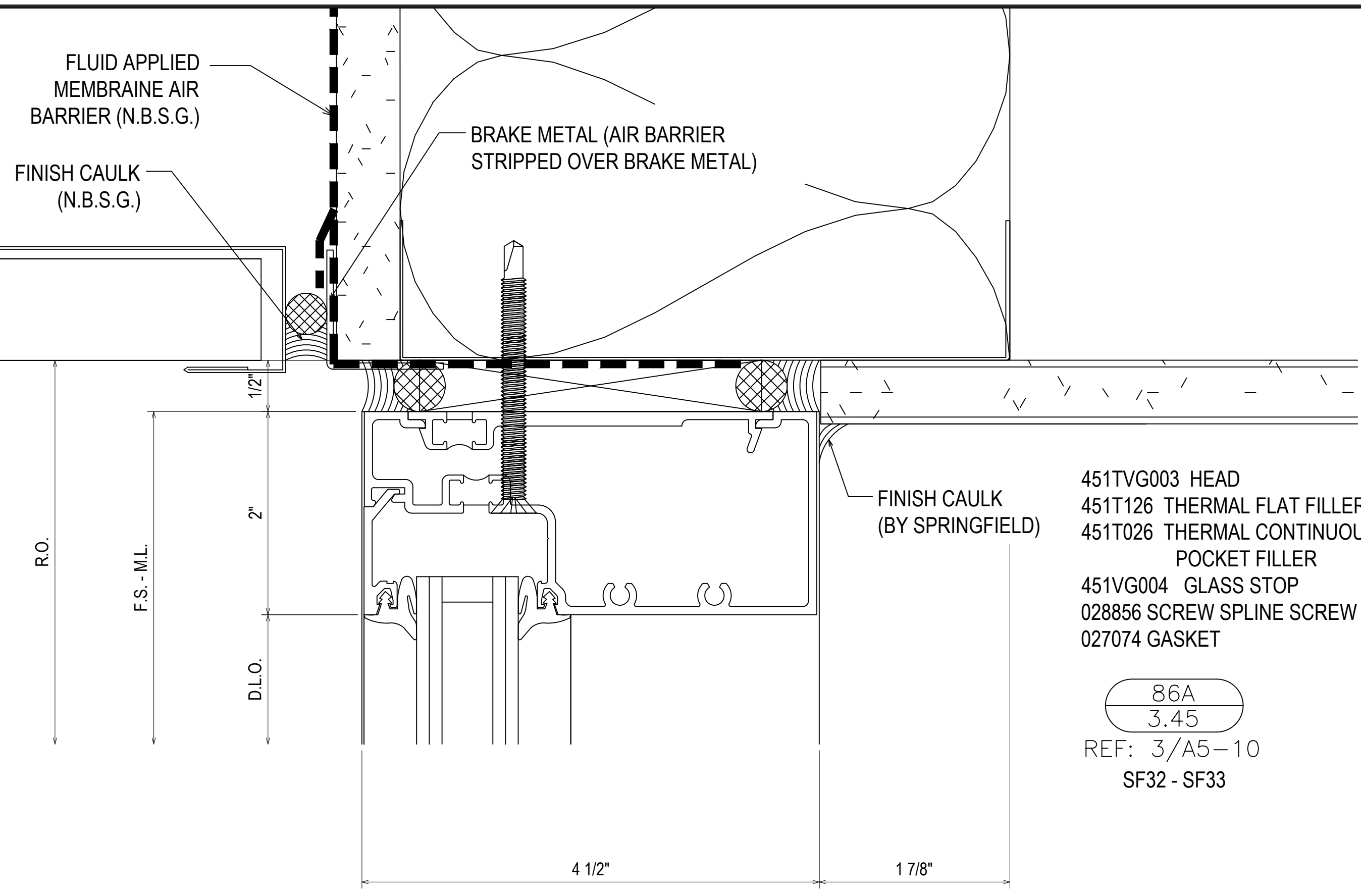
85  
3.44  
REF: 3/A5-11 SIM.  
SF15 - SF16

1ST SUBMISSION	7.20.22
1ST REVISION	8.3.22
NO	DATE
NO	DESCRIPTION
NO	DRAWING SUBMISSION

SPRINGFIELD GLASS COMPANY  
2503 NORTH OAK GROVE AVE.  
SPRINGFIELD, MO 65803  
P: 417.883.6555

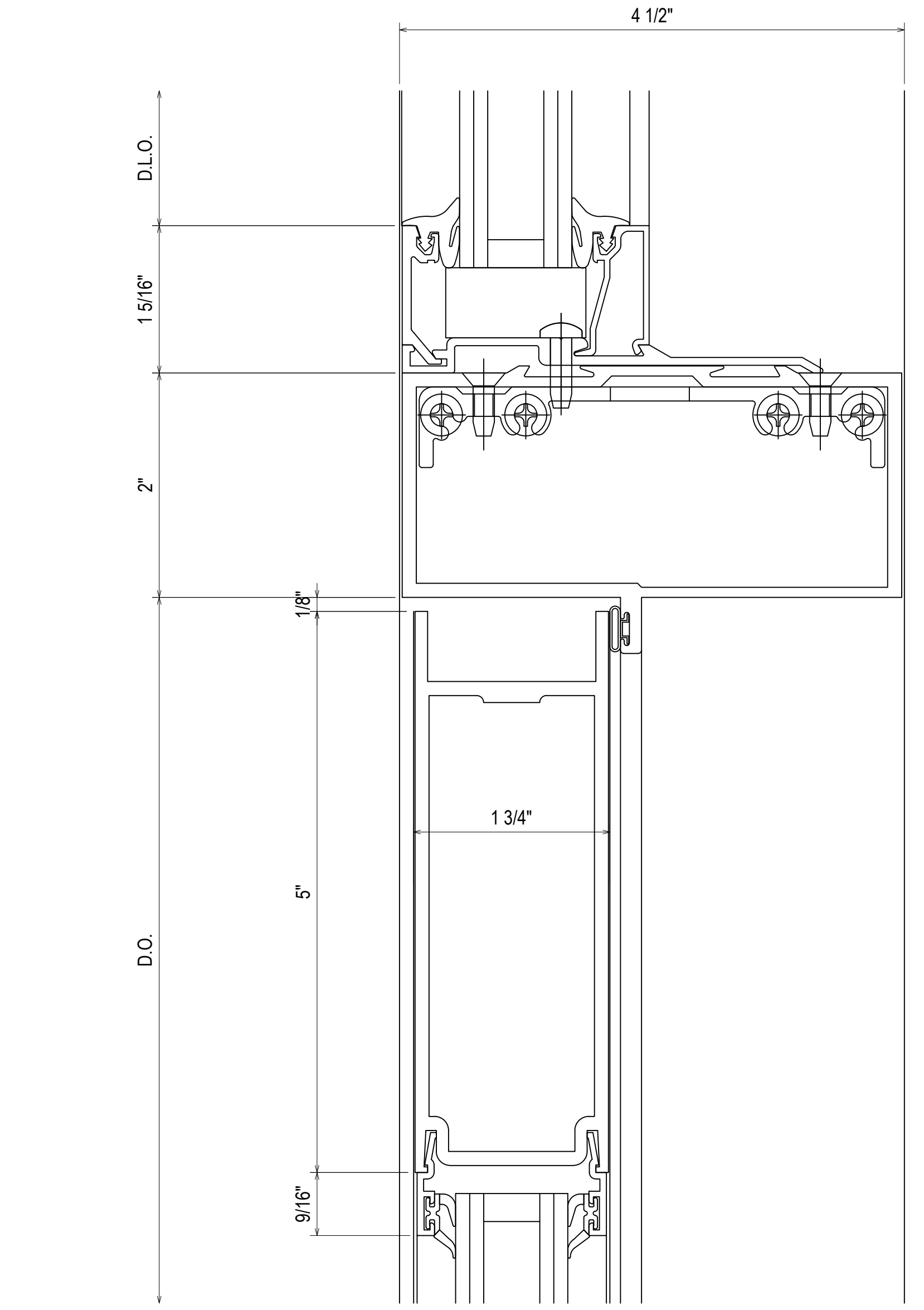
PROJECT: CONVOY OF HOPE  
GLOBAL HEADQUARTERS  
AND TRAINING CENTER  
LOCATION: 7200 W. CARNAHAN STREET  
SPRINGFIELD, MO 65802

DRAWN BY:	DATE:
DJ	7.20.22
CHECKED BY:	DATE:
RD	7.20.22



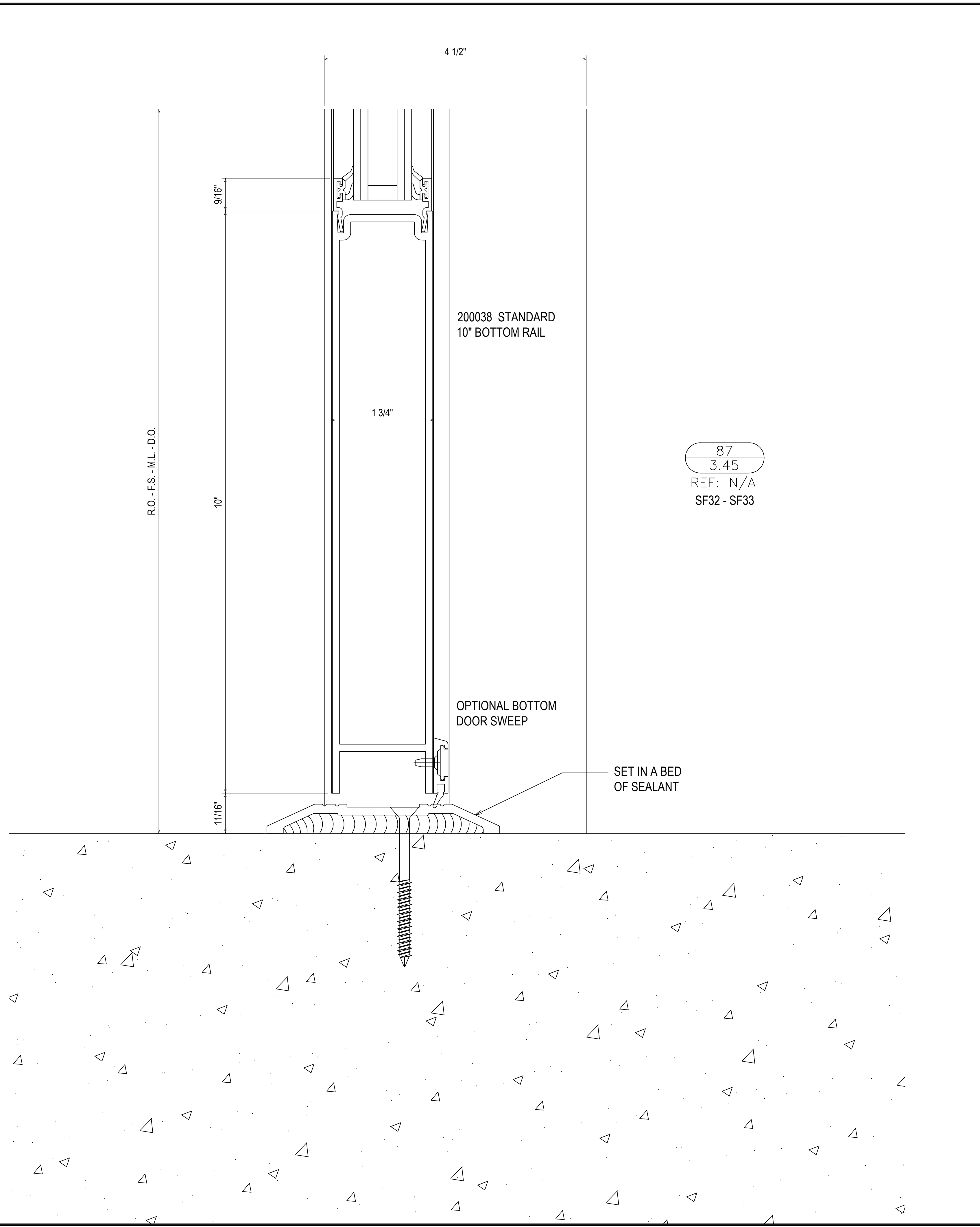
- 451TVG003 HEAD
- 451T126 THERMAL FLAT FILLER
- 451T026 THERMAL CONTINUOUS POCKET FILLER
- 451VG004 GLASS STOP
- 028856 SCREW SPLINE SCREW
- 027074 GASKET

86A  
3.45  
REF: 3/A5-10  
SF32 - SF33



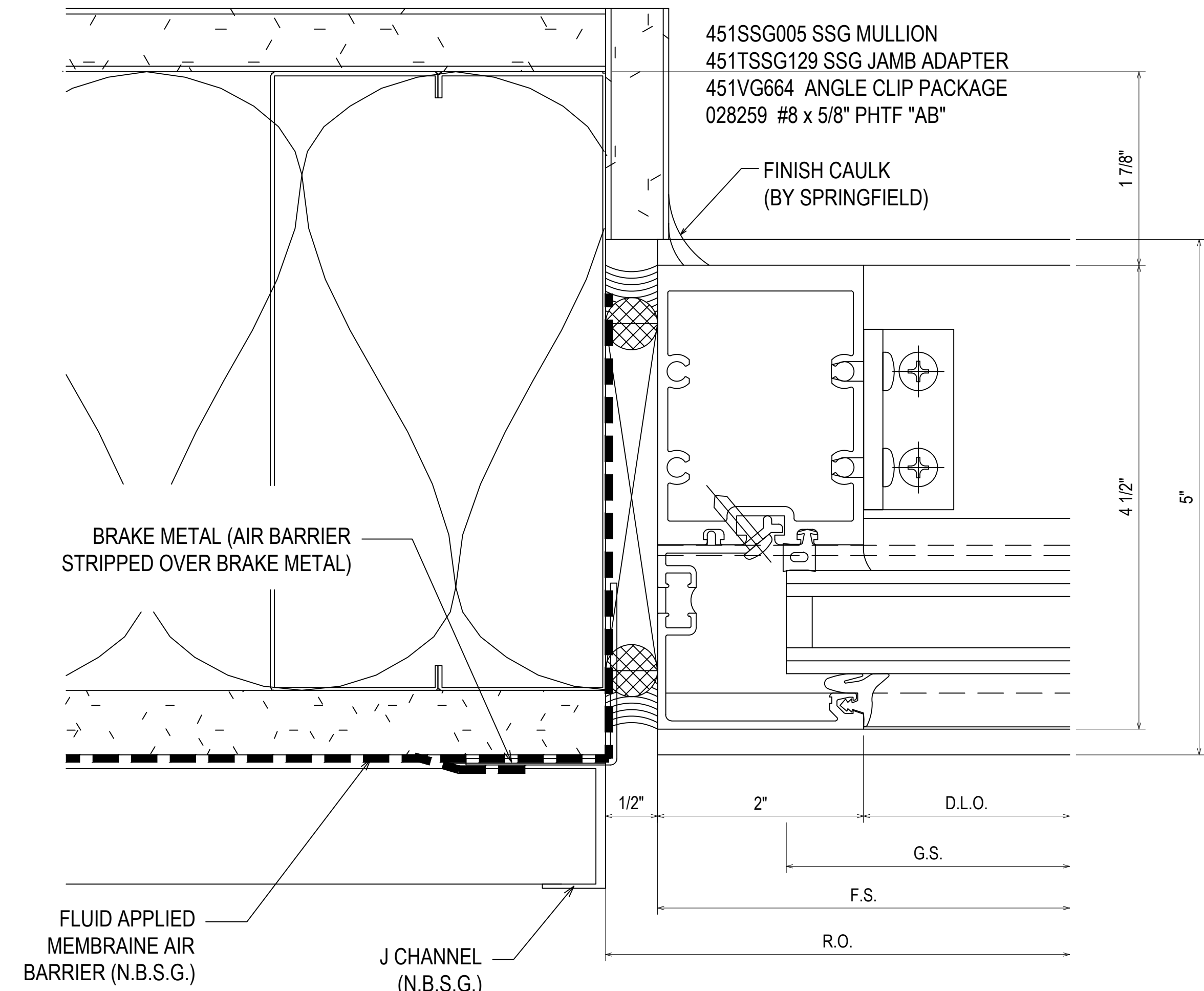
- 451502 S/A T-BAR/HEADER WITH WEATHERING
- 450506 S/A T-BAR/HEADER CLIP PACKAGE
- 450022 GLASS STOP
- 451VG022 T-BAR ADAPTER
- 451VG004 GLASS STOP
- 028710 #10 x 5/8" B PHFT
- 200025 STANDARD 500 TOP DOOR RAIL
- 027074 GASKET

86  
3.45  
REF: N/A  
SF32 - SF33



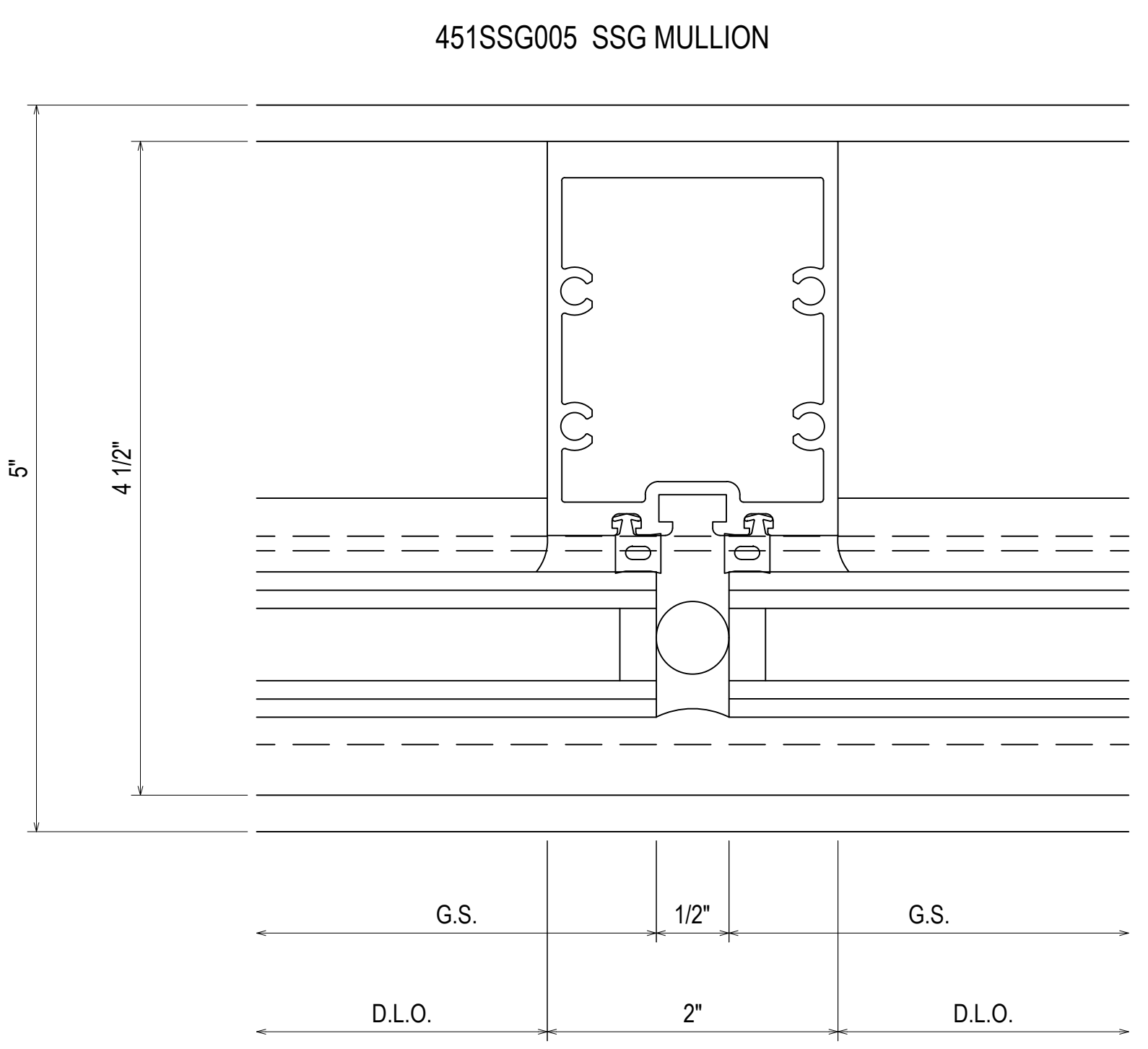
87  
3.45  
REF: N/A  
SF32 - SF33

7.20.22	1ST SUBMISSION	NO	DESCRIPTION	DATE
8.3.22	1ST REVISION			
SPRINGFIELD GLASS COMPANY 2503 NORTH OAK GROVE AVE. SPRINGFIELD, MO 65803 P: 417.883.6555				
PROJECT:		CONVOY OF HOPE		
DRAWN BY:		GLOBAL HEADQUARTERS AND TRAINING CENTER		
CHECKED BY:		7200 W. CARNAHAN STREET		
DATE:		SPRINGFIELD, MO 65802		
DJ	7.20.22			
RD	7.20.22			
<b>3.45</b>				

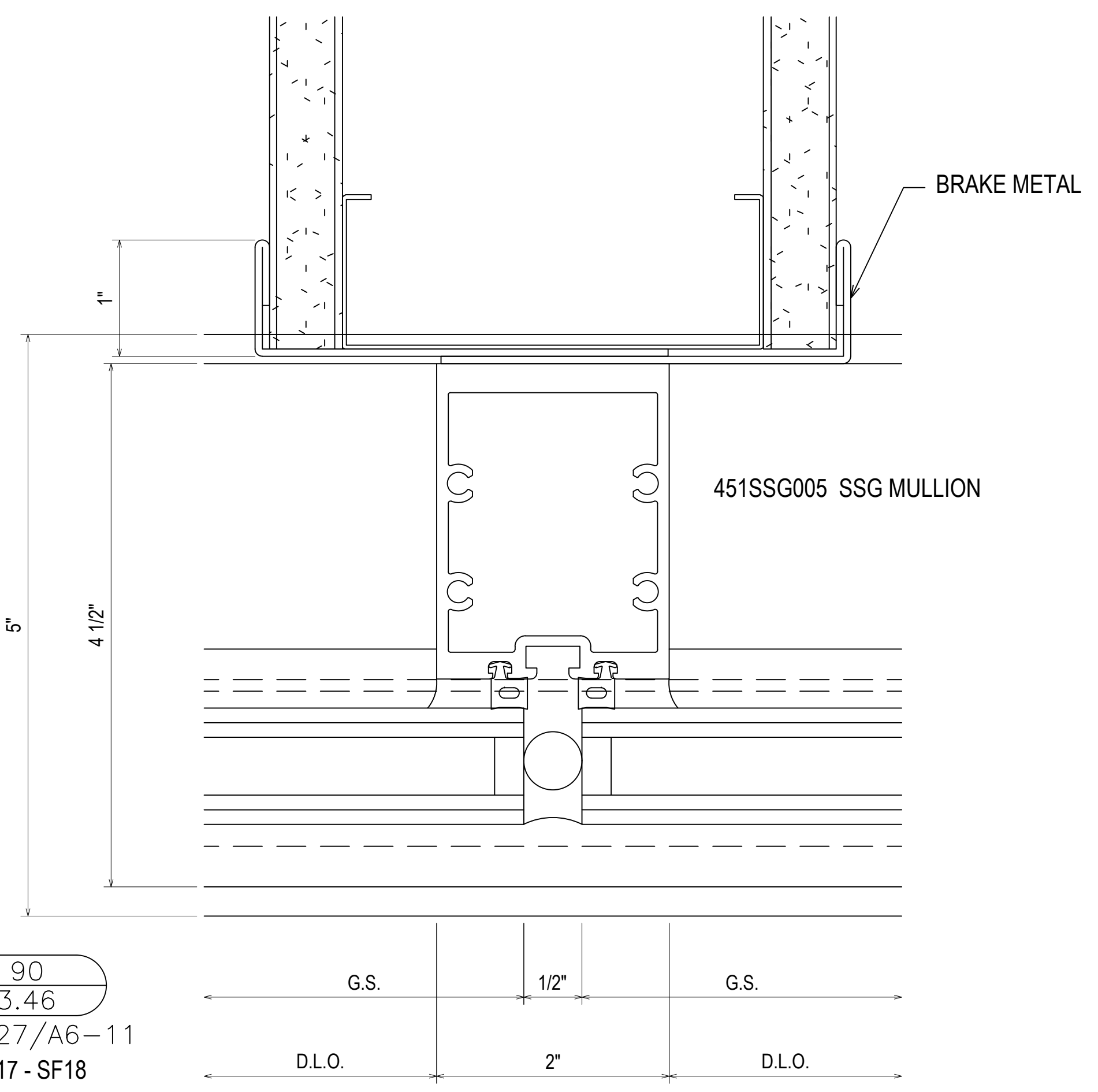


88  
 3.46

REF: 21/A6-11  
 SF15 - SF16 - SF17 - SF32

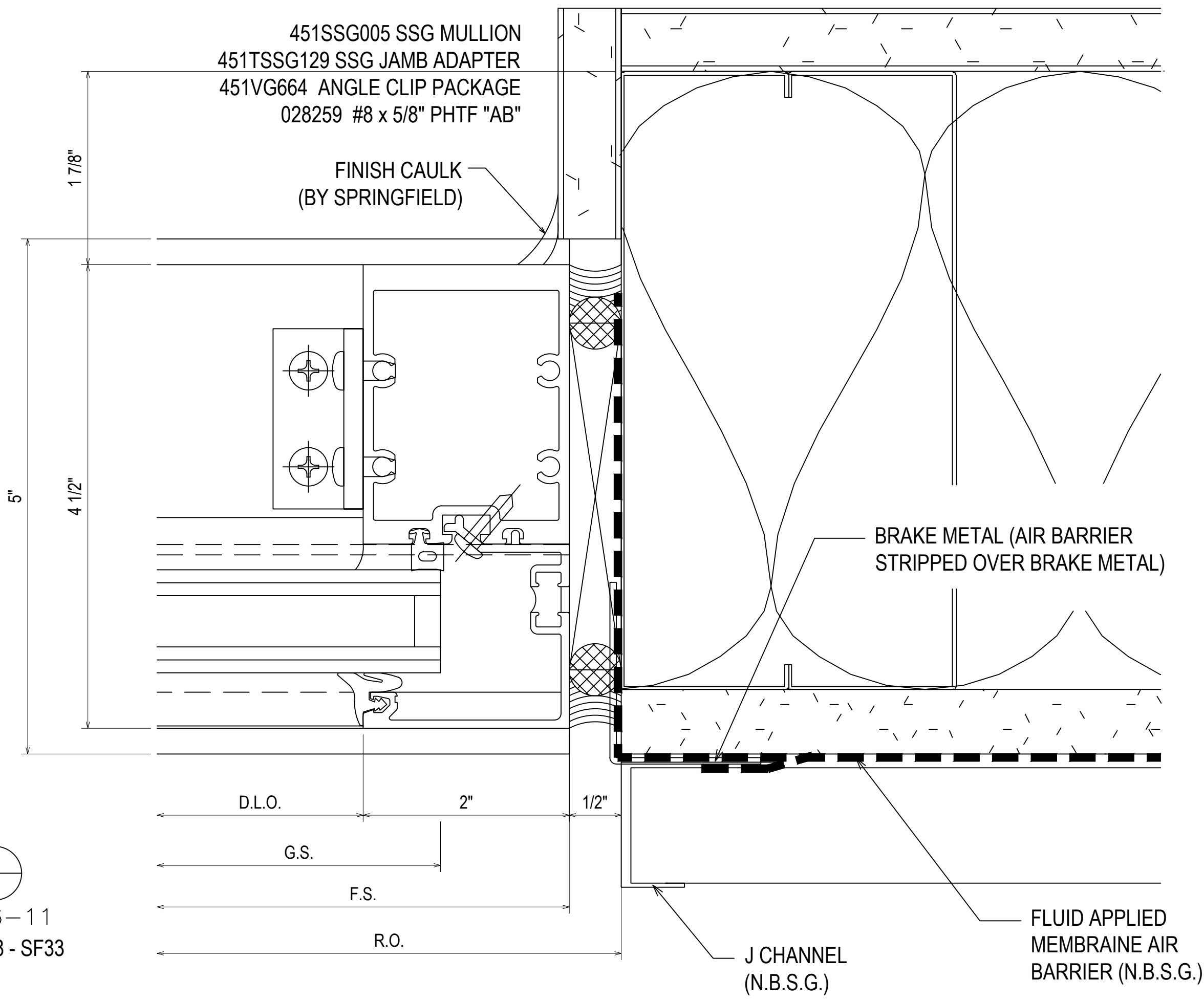


89  
 3.46  
 REF: N/A  
 TYPICAL SSG VERTICAL



90  
 3.46

REF: 27/A6-11  
 SF17 - SF18



91  
 3.46

REF: 21/A6-11  
 SF15 - SF16 - SF18 - SF33

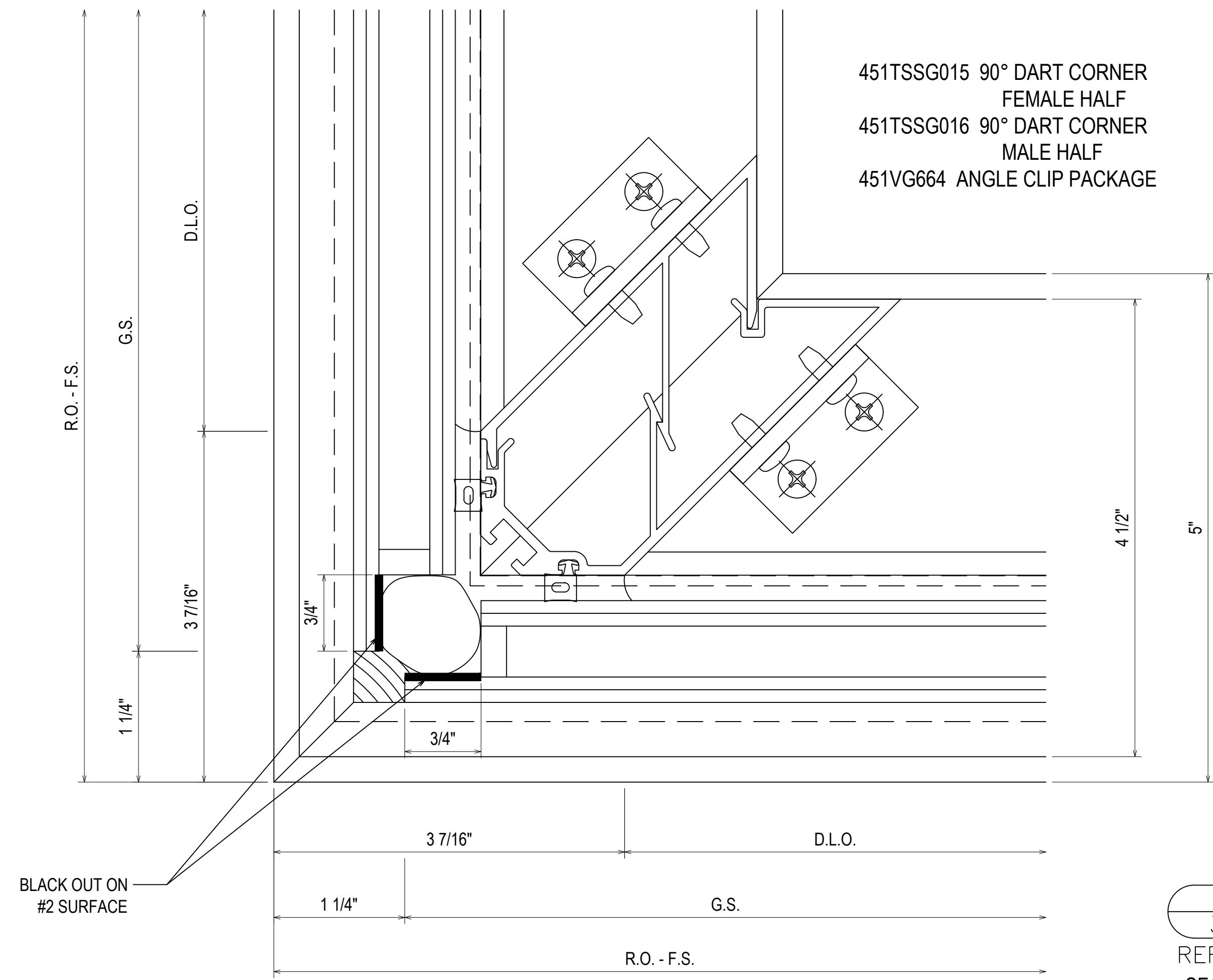
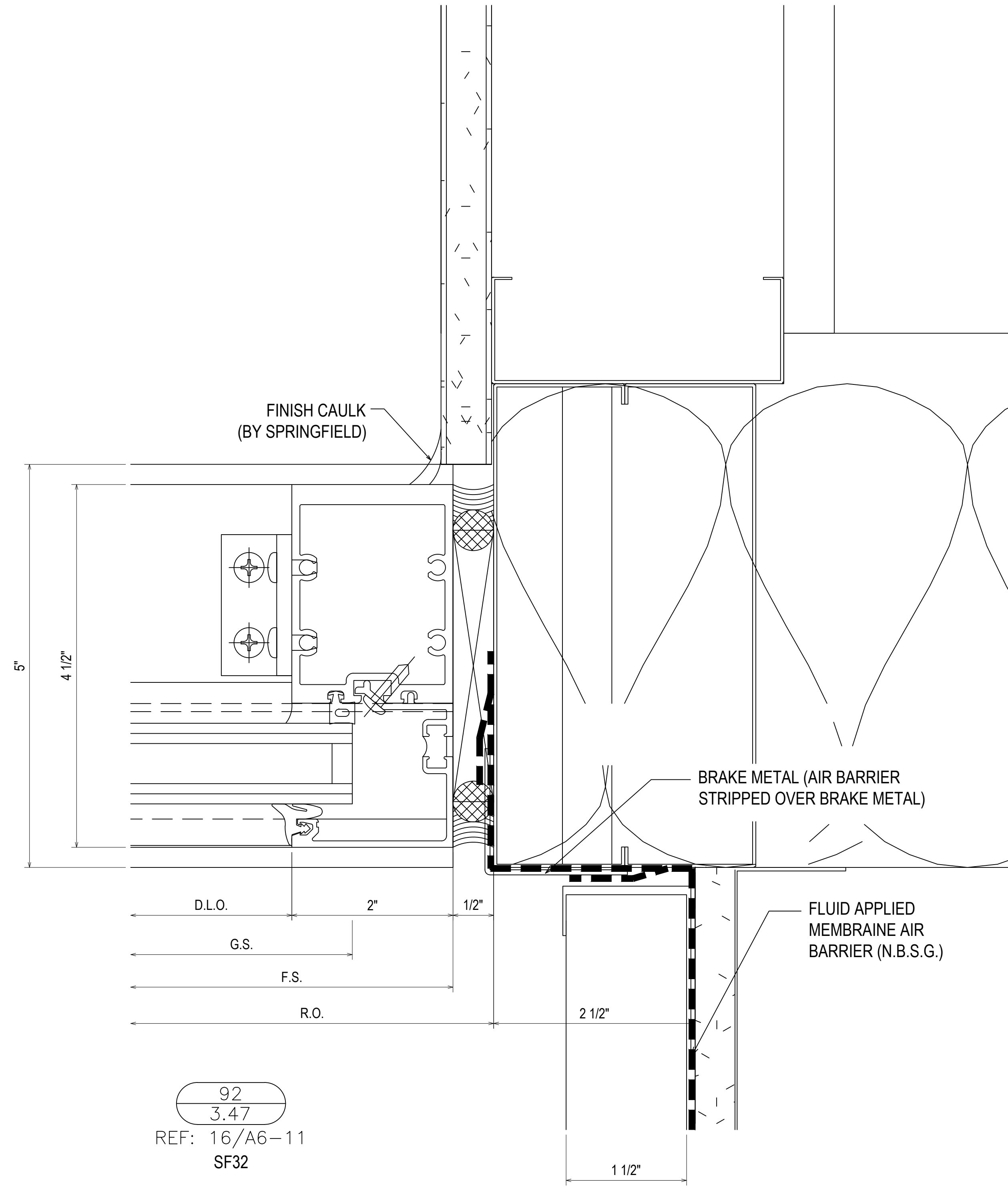
1ST SUBMISSION	7.20.22
1ST REVISION	8.3.22
NO	DESCRIPTION
NO	DATE

PROJECT: CONVOY OF HOPE  
 GLOBAL HEADQUARTERS  
 AND TRAINING CENTER

LOCATION: 7200 W. CARNAHAN STREET  
 SPRINGFIELD, MO 65802

SPRINGFIELD GLASS COMPANY  
 2503 NORTH OAK GROVE AVE.  
 SPRINGFIELD, MO 65803  
 P: 417.883.6555

DRAWN BY:	DATE:
DJ	7.20.22
CHECKED BY:	DATE:
RD	7.20.22



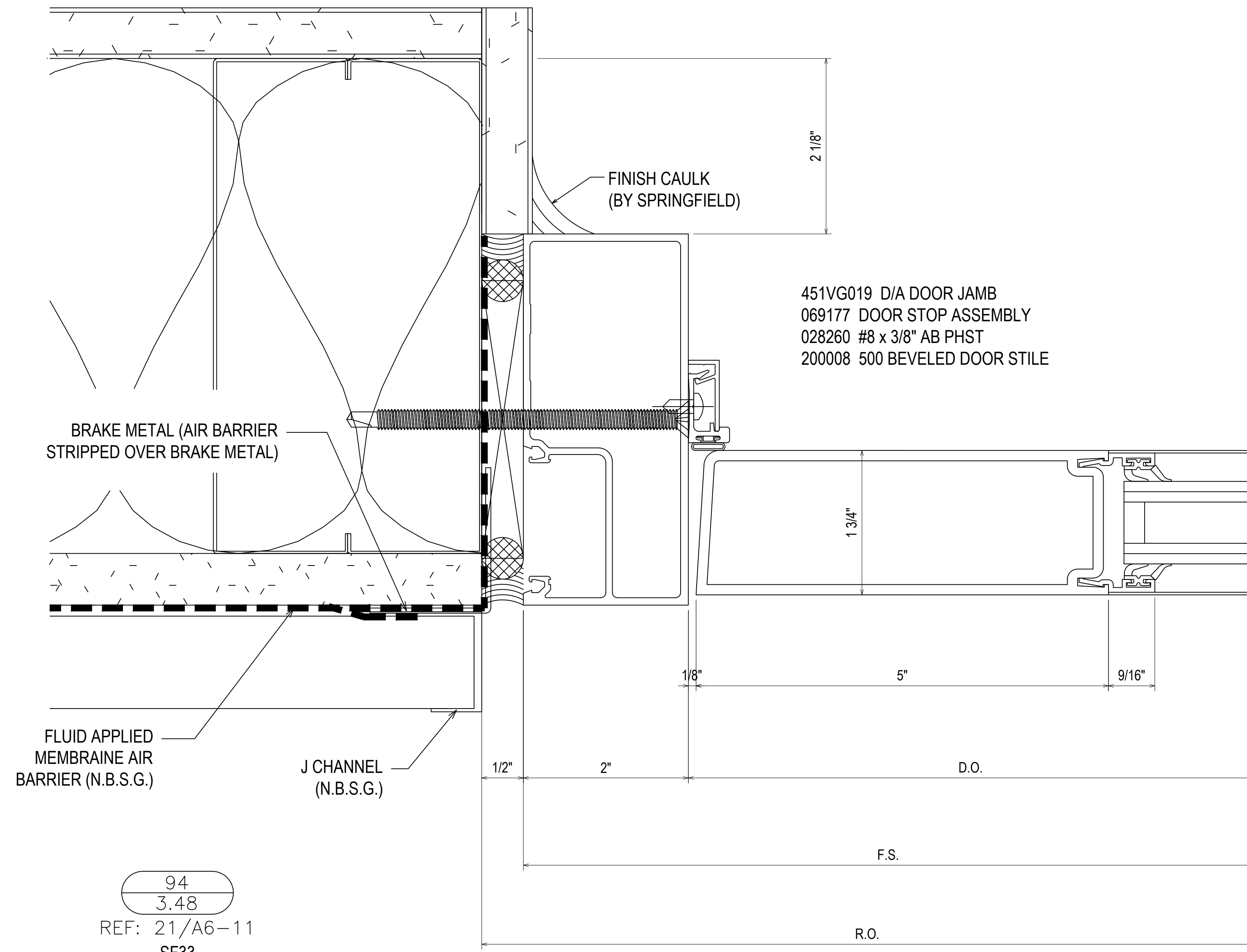
1ST SUBMISSION	7.20.22
1ST REVISION	8.3.22
NO	DESCRIPTION
NO	DATE

SPRINGFIELD GLASS COMPANY  
 2503 NORTH OAK GROVE AVE.  
 SPRINGFIELD, MO 65803  
 P: 417.883.6555

PROJECT: CONVOY OF HOPE  
 GLOBAL HEADQUARTERS  
 AND TRAINING CENTER  
 LOCATION: 7200 W. CARNAHAN STREET  
 SPRINGFIELD, MO 65802

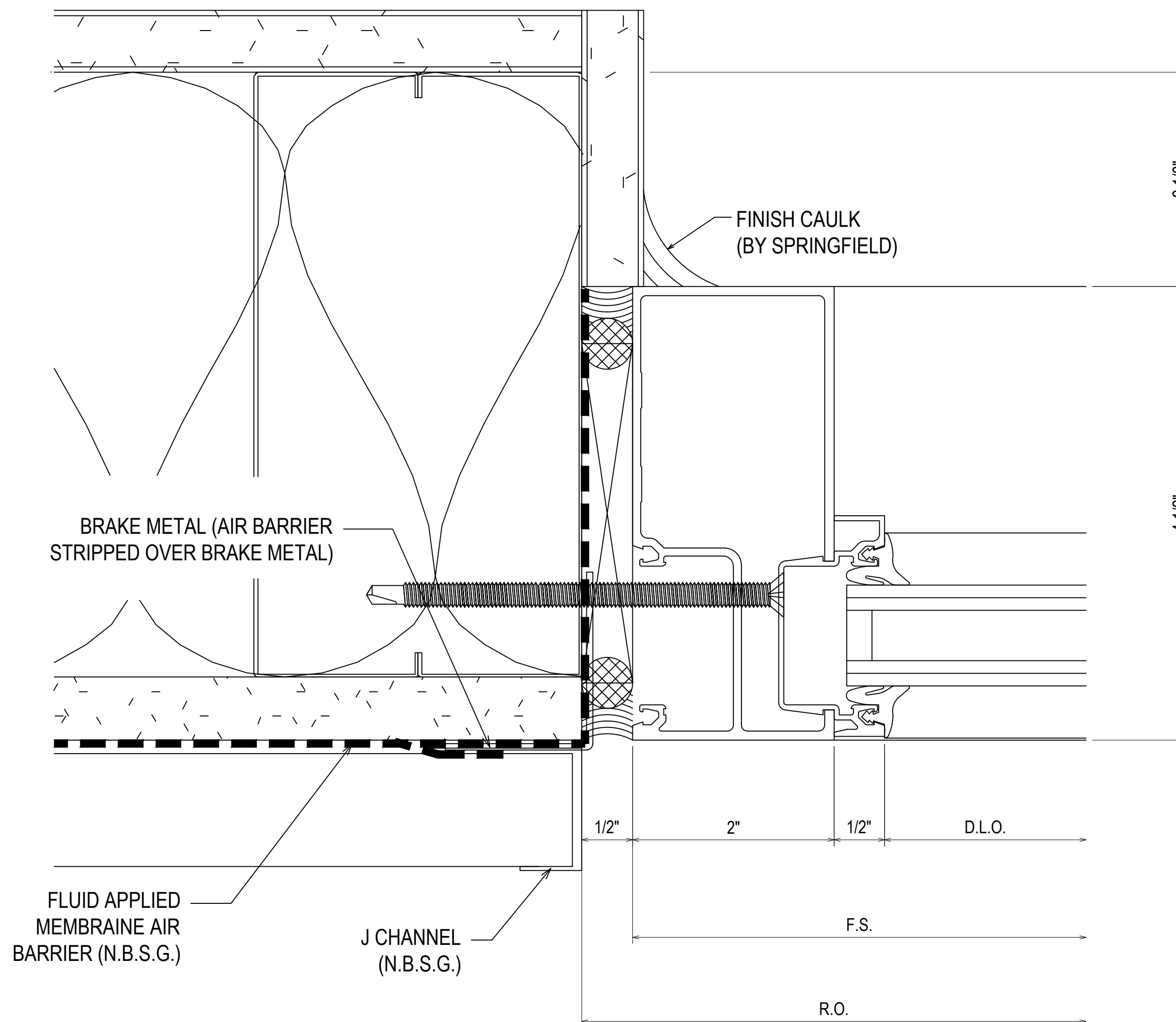
DRAWN BY:	DATE:
DJ	7.20.22
CHECKED BY:	DATE:
RD	7.20.22

**3.47**



451VG019 D/A DOOR JAMB  
 069177 DOOR STOP ASSEMBLY  
 028260 #8 x 3/8" AB PHST  
 200008 500 BEVELED DOOR STILE

94  
 3.48  
 REF: 21/A6-11  
 SF33



95  
 3.48  
 REF: 21/A6-11  
 SF33

1ST SUBMISSION	7.20.22
1ST REVISION	8.3.22
NO	DESCRIPTION
NO	DATE

PROJECT: CONVOY OF HOPE  
 GLOBAL HEADQUARTERS  
 AND TRAINING CENTER  
 LOCATION: 7200 W. CARNAHAN STREET  
 SPRINGFIELD, MO 65802

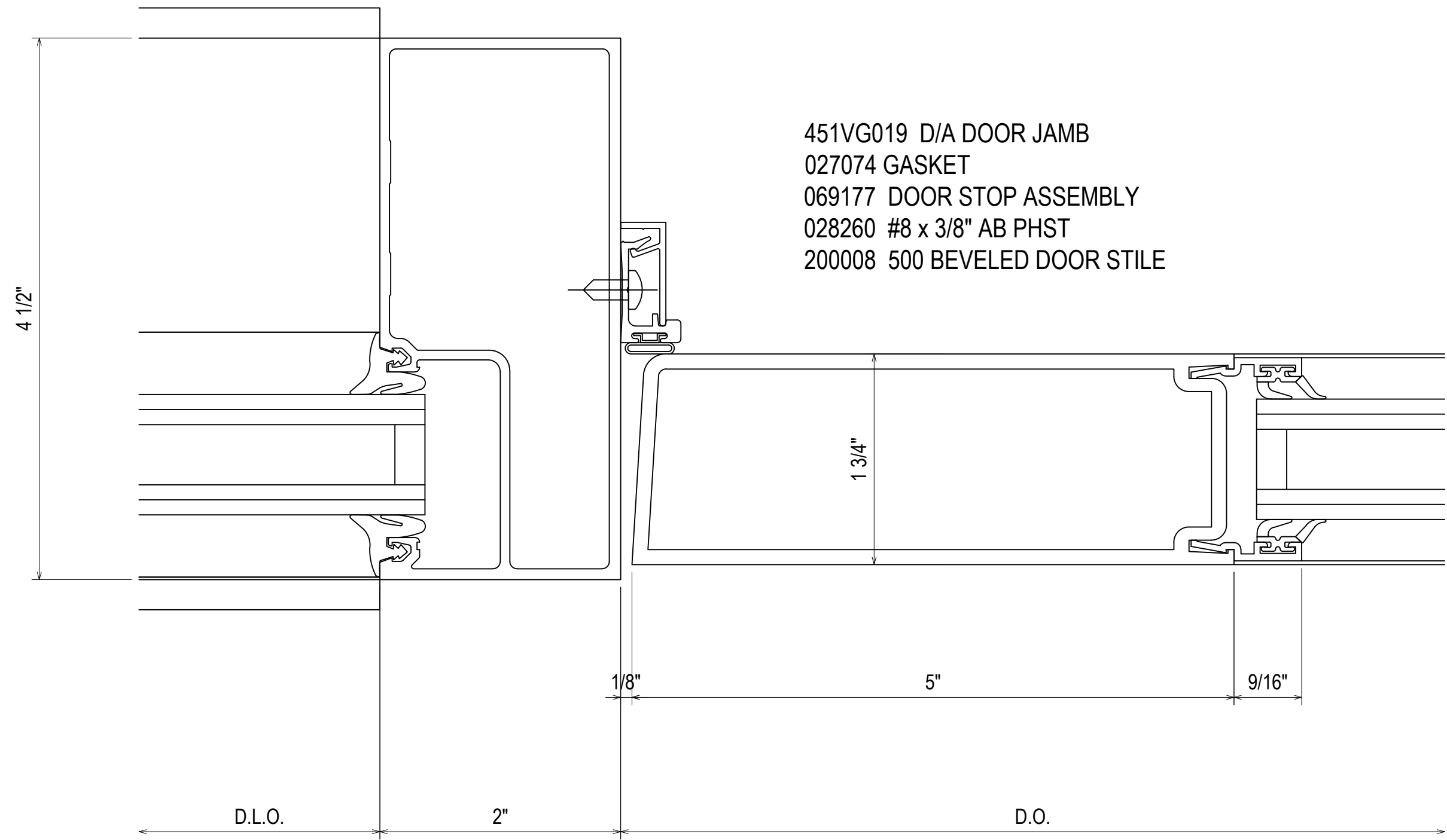
PROJECT: CONVOY OF HOPE  
 GLOBAL HEADQUARTERS  
 AND TRAINING CENTER  
 LOCATION: 7200 W. CARNAHAN STREET  
 SPRINGFIELD, MO 65802

PROJECT: CONVOY OF HOPE  
 GLOBAL HEADQUARTERS  
 AND TRAINING CENTER  
 LOCATION: 7200 W. CARNAHAN STREET  
 SPRINGFIELD, MO 65802

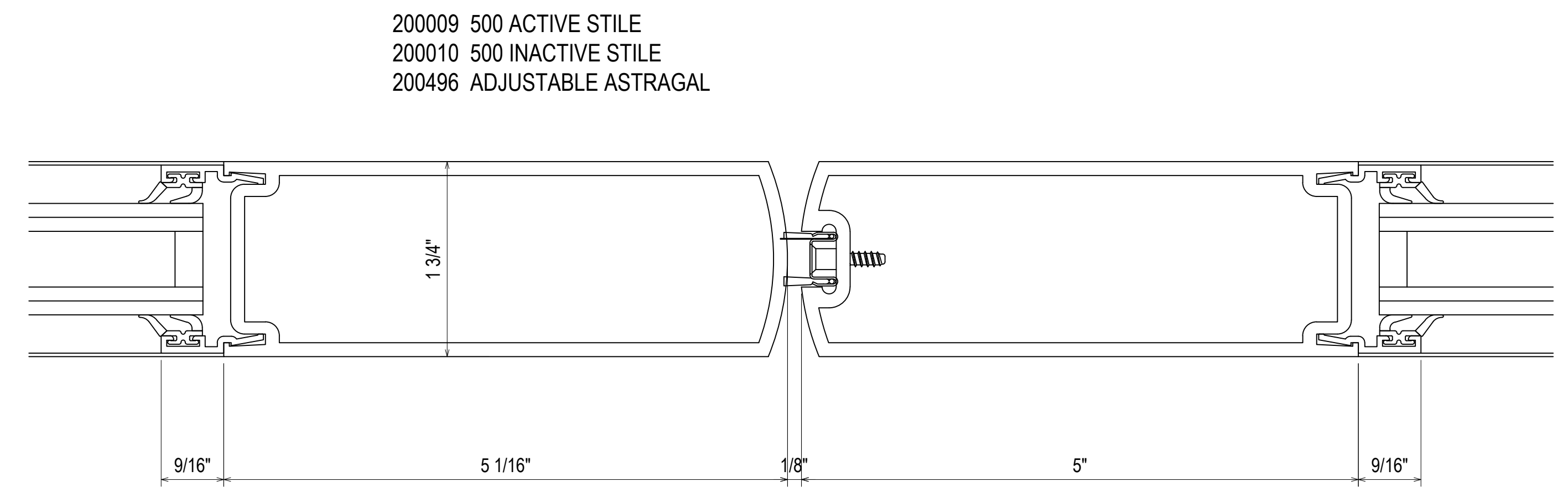
DRAWN BY:	DATE:
DJ	7.20.22
CHECKED BY:	DATE:
RD	7.20.22

**3.48**

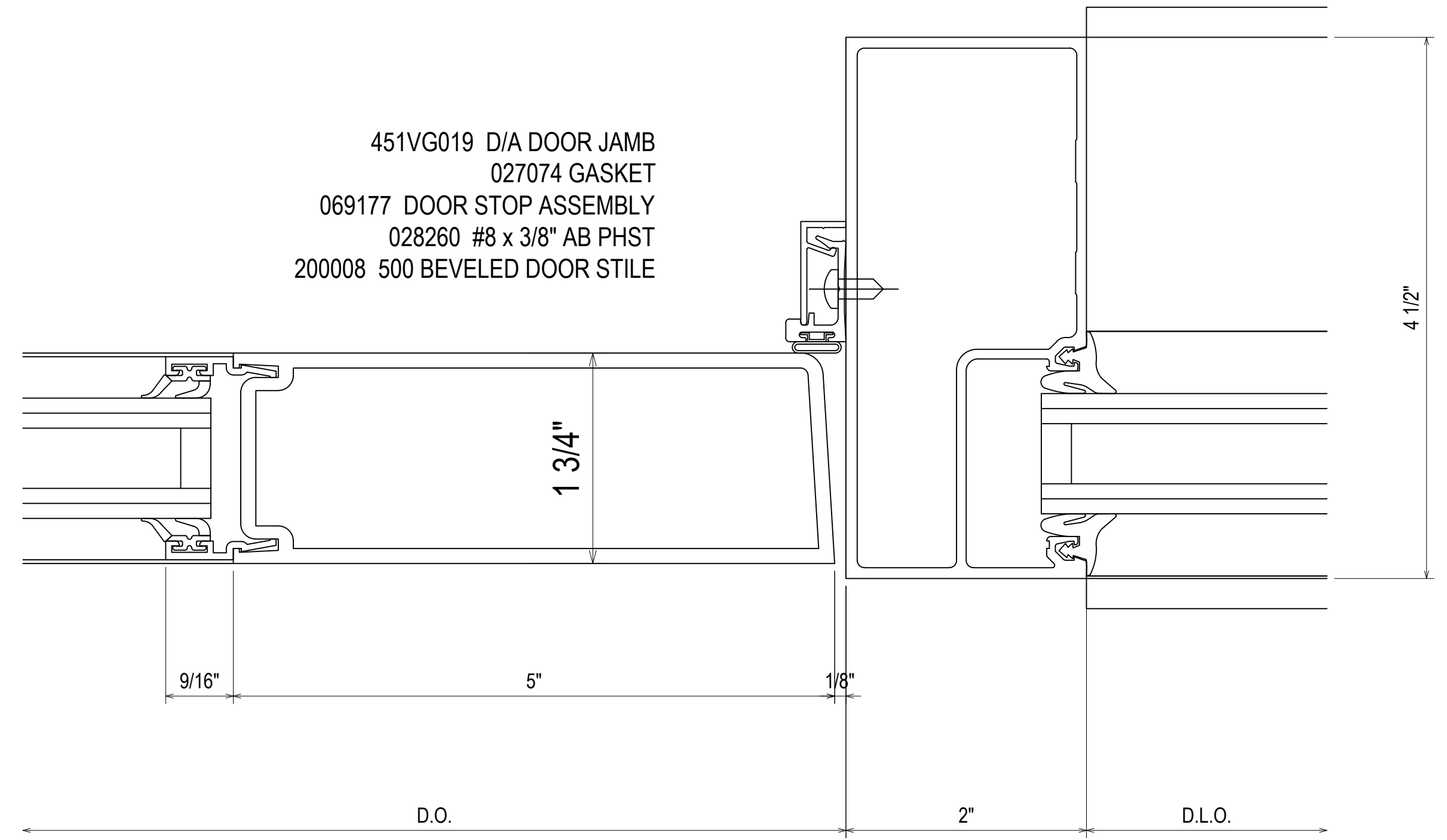




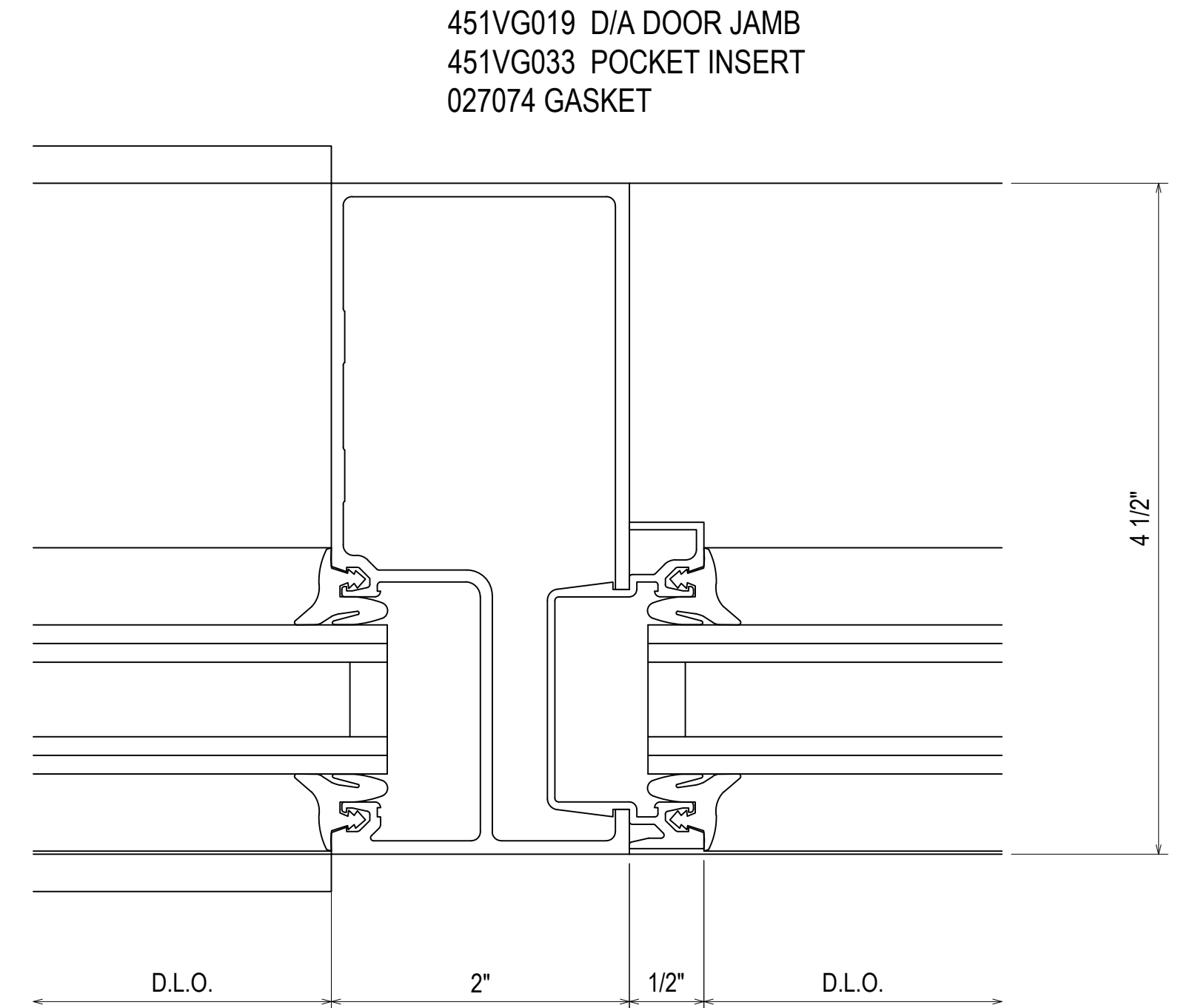
96  
 3.49  
 REF: N/A  
 SF32



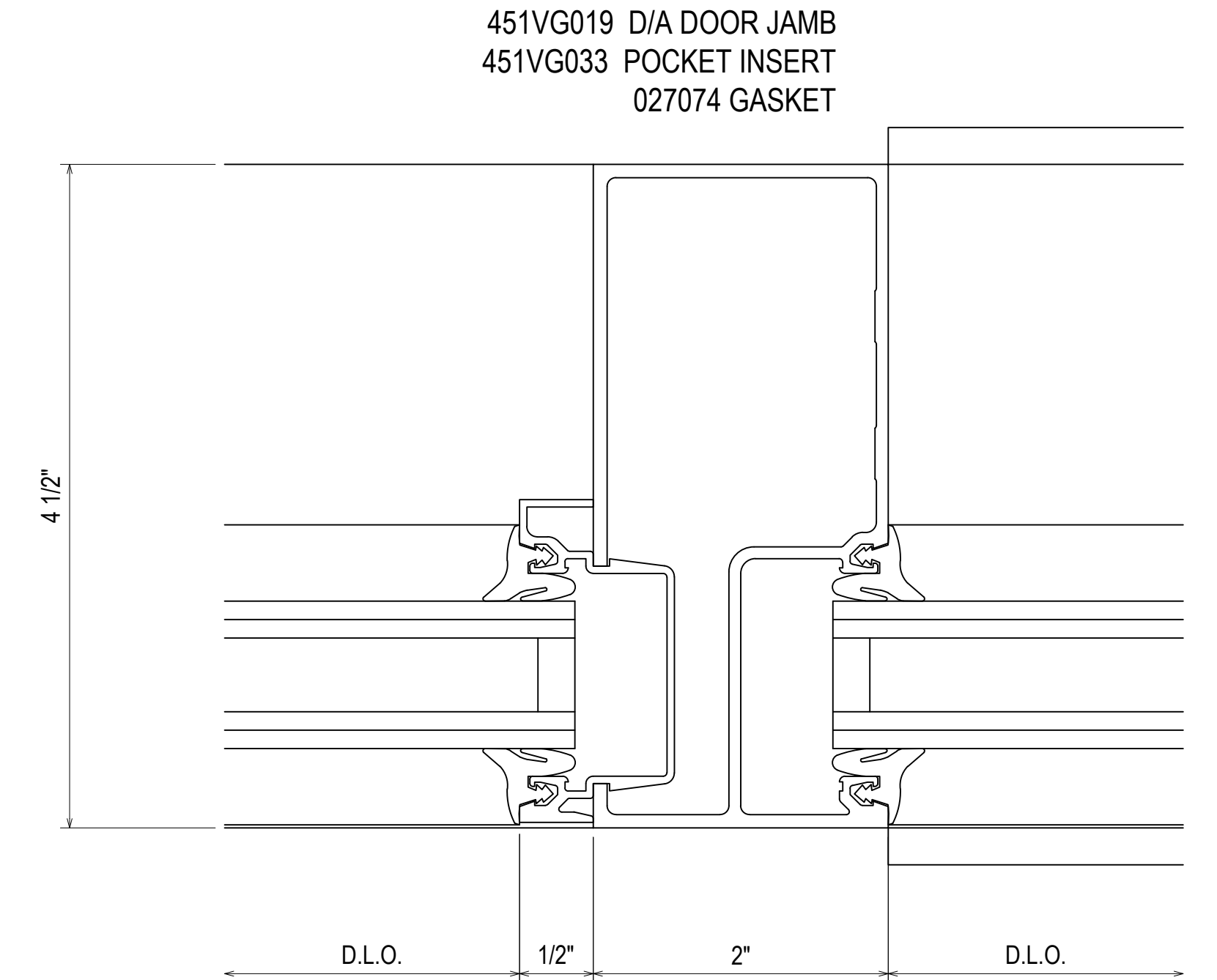
97  
 3.49  
 REF: N/A  
 SF32



98  
 3.49  
 REF: N/A  
 SF32 - SF33



99  
 3.49  
 REF: N/A  
 SF32



100  
 3.49  
 REF: N/A  
 SF32 - SF33

1ST SUBMISSION	7.20.22
1ST REVISION	8.3.22
NO	DESCRIPTION
NO	DATE

SPRINGFIELD GLASS COMPANY  
 2503 NORTH OAK GROVE AVE.  
 SPRINGFIELD, MO 65803  
 P: 417.883.6555

PROJECT: CONVOY OF HOPE  
 GLOBAL HEADQUARTERS  
 AND TRAINING CENTER  
 LOCATION: 7200 W. CARNAHAN STREET  
 SPRINGFIELD, MO 65802

DRAWN BY:	DATE:
DJ	7.20.22
CHECKED BY:	DATE:
RD	7.20.22