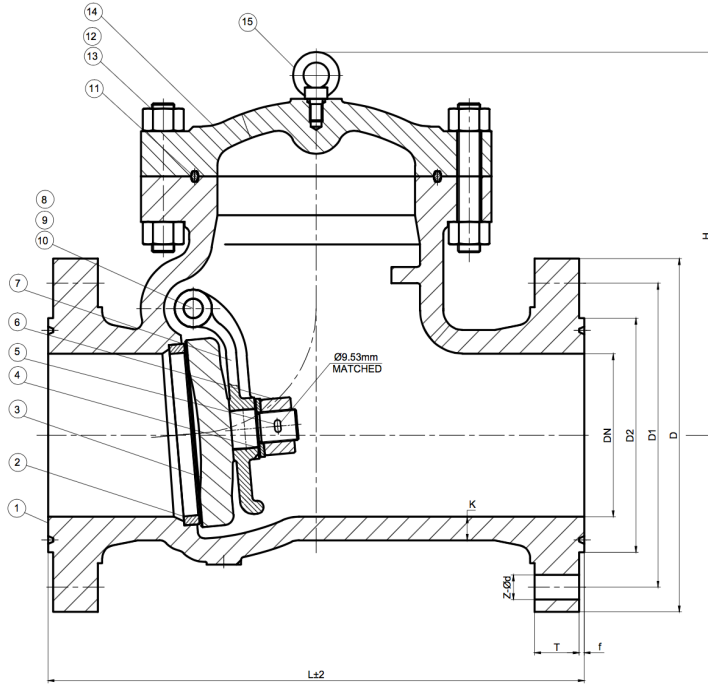


**Swing Check Valves**  
**Pressure Class: 150 thru 2500**  
**Size: 2" thru 36"**

Design and Manufacturing Standards
<b>Valve Design:</b> ASME B16.34 / API 6D API 594
<b>Flange Dimensions:</b> ASME B16.5
<b>Face to Face Dimensions:</b> ASME B16.10
<b>Tested In Accordance with:</b> API 598



**Design Features**

- 1. Spiral wound gasket**  
provide long thread life and permit the removal of hand wheel even when fully open
- 2. The hinge and hinge pin provide and mounted so as to permit full opening of the disc**
- 3. Standard swing disc type**

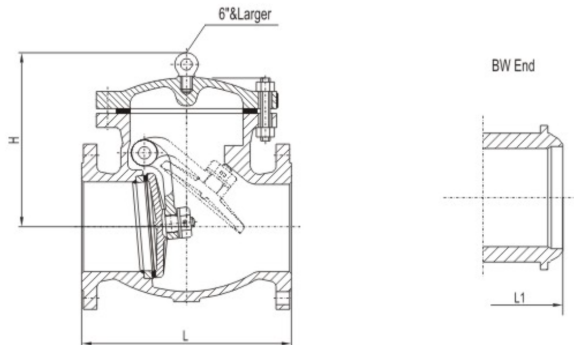
Material List							
Part Name	Carbon Steel	Stainless	LCC	Part Name	Carbon Steel	Stainless	LCC
1 Body	ASTM A216 WCB	ASTM A351 CF8M	ASTM A352 LCC	9 Plug screw	ASTM A276 410	ASTM A276 316	ASTM A276 316
2 Seat	ASTM A105+STL6#	ASTM A182 F316+STL6#	ASTM A182 F316+STL6#	10 Plug Washer	316	316	316
3 Disc	ASTM A105+13%Cr	ASTM A351 CF8M	ASTM A352 LCC +316	11 Gasket R-57	Soft Steel	Soft Steel	Soft Steel
4 Washer	316	316	316	12 Stud	ASTM A193 B7M	ASTM A193 B8M	ASTM A193 L7M
5 Split-Pin	SS 304	SS 304	SS 304	13 Hex Nut	ASTM A194 2HM	ASTM A194 8M	ASTM A194 7M
6 Nut	ASTM A194 8M	ASTM A194 8M	ASTM A194 7M	14 Cover	ASTM A216 WCB	ASTM A351 CF8M	ASTM A352 LCC
7 Hinge	ASTM A216 WCB	ASTM A351 CF8M	ASTM A352 LCC	15 Lifting Eye	CARBON STEEL	STAINLESS STEEL	STAINLESS STEEL
8 Hinge-Pin	ASTM A276 410	ASTM A276 316	ASTM A276 316				

\*Note: Other material upon request

The data provided in this document is subject to change without notice, Please contact SVI for current drawing when order

**Swing Check Valves**  
**Pressure Class: 150 thru 2500**  
**Size: 2" thru 36"**

Design and Manufacturing Standards	
<b>Valve Design:</b>	ASME B16.34 / API 6D API 594
<b>Flange Dimensions:</b>	ASME B16.5
<b>Face to Face Dimensions:</b>	ASME B16.10
<b>Tested In Accordance with:</b>	API 598



**API 594 Design**  
**Bolted Cover**  
**Swing Type Disc**

CLASS 150																	
SIZE	inches	2"	3"	4"	6"	8"	10"	12"	14"	16"	18"	20"	24"	28"	30"	32"	36"
	mm	50	80	100	150	200	250	300	350	400	450	500	600	700	750	800	900
L <sub>RF/BW</sub>	mm	203	241	292	356	495	622	699	787	864	978	978	1295	1295	1448	1524	1727
L-RTJ	mm	216	254	305	368	508	635	711	800	876	991	991	1080	1308	-	-	-
H	mm	160.5	171	204	296.5	351.5	389.5	437.5	476.5	525	582	622	880	910	936	970	1250

CLASS 300																	
SIZE	inches	2"	3"	4"	6"	8"	10"	12"	14"	16"	18"	20"	24"	28"	30"	32"	36"
	mm	50	80	100	150	200	250	300	350	400	450	500	600	700	750	800	900
L <sub>RF/BW</sub>	mm	267	318	356	445	533	622	711	838	864	978	1016	1346	1346	1499	1594	1727
L-RJ	mm	283	333	371	460	549	638	727	854	879	994	1035	1140	1368	1372	1524	1619
H	mm	176	216	259	317	360	434	511	561	596	675	730	860	900	1163	1270	1270

CLASS 600																	
SIZE	inches	2"	3"	4"	6"	8"	10"	12"	14"	16"	18"	20"	24"	28"	30"	32"	36"
	mm	50	80	100	150	200	250	300	350	400	450	500	600	700	750	800	900
L <sub>RF/BW</sub>	mm	292	356	432	559	660	787	838	889	991	1092	1194	1397	1548	1651	1778	2083
L-RTJ	mm	295	359	435	562	664	791	841	892	991	1095	1200	1305	1407	1461	1613	1664
H	mm	184	232	263	374	426	517	569	622	680	752	975	1111	1110	1192	1324	1367

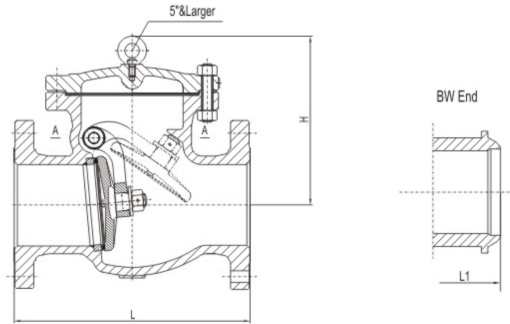
CLASS 900																	
SIZE	inches	2"	3"	4"	6"	8"	10"	12"	14"	16"	18"	20"	24"	28"	30"	32"	36"
	mm	50	80	100	150	200	250	300	350	400	450	500	600	700	750	800	900
L <sub>RF/BW</sub>	mm	368	381	457	610	737	838	965	1029	1130	1219	1321	1549	1651	1753	1854	1956
L-RTJ	mm	371	384	460	613	740	841	968	1038	1140	1232	1334	1568	-	-	-	-
H	mm	296	300	327	441	502	664	775	782	838	839	932	924	1121	1372	1521	1671

NOTE: The data provided in this document is subject to change without notice, Please contact SVI for current drawing when order.

**Swing Check Valves**  
**Pressure Class: 150 thru 2500**  
**Size: 2" thru 36"**

Design and Manufacturing Standards
<b>Valve Design:</b> ASME B16.34 / API 6D API 594
<b>Flange Dimensions:</b> ASME B16.5
<b>Face to Face Dimensions:</b> ASME B16.10
<b>Tested In Accordance with:</b> API 598

API 594 design  
 Bolted Cover  
 Swing Type Disc



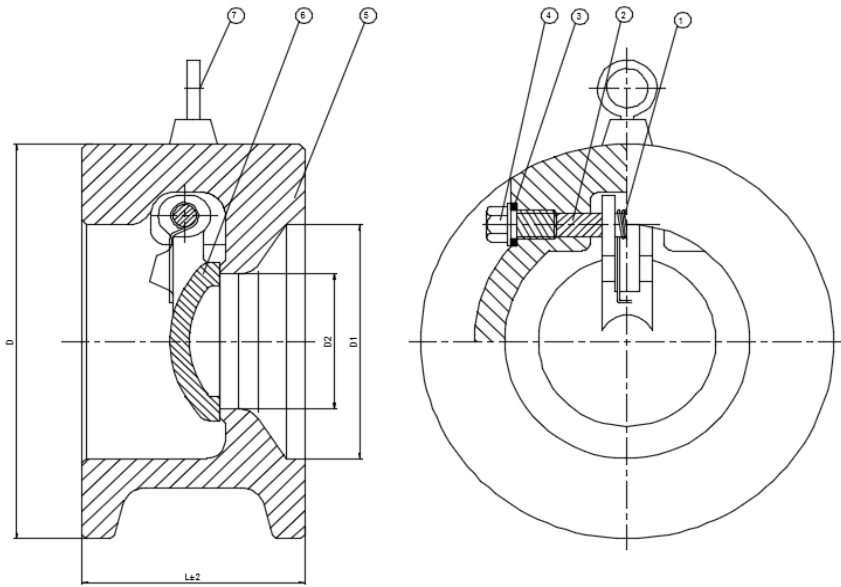
CLASS 1500													
SIZE	inches	2"	3"	4"	6"	8"	10"	12"	14"	16"	18"	20"	24"
	mm	50	80	100	150	200	250	300	350	400	450	500	600
L RF/BW	mm	368	470	546	705	832	991	1130	1257	1364	1587	1664	1943
L-RTJ	mm	371	473	549	711	842	1000	1146	1276	1407	1559	1686	1972
H	mm	296	341	412	611	680	756	867	950	1020	1147	1284	1639

CLASS 2500										
SIZE	inches	2"	3"	4"	6"	8"	10"	12"		
	mm	50	80	100	150	200	250	300		
L RF/BW	mm	451	578	673	914	1022	1270	1422		
L-RTJ	mm	454	584	683	927	1038	1292	1445		
H	mm	563	582	870	1450	1610	2076	2261		

NOTE: The data provided in this document is subject to change without notice, Please contact SVI for current drawing when order.

**Wafer Check Valves**  
**Pressure Class: 150 thru 300**  
**Size: 2" thru 12"**

Design and Manufacturing Standards	
Valve Design:	ASME B16.34 / API 594
Flange Dimensions:	--
Face to Face Dimensions:	ASME B16.10
Tested In Accordance with:	API 598



Material List				
Part Name		Carbon Steel	Stainless	LCC
1	SPRING	SS 316	SS 316	SS 316
2	SHAFT	ASTM A276 410	ASTM A276 316	ASTM A276 316
3	GASKET	PTFE	PTFE	PTFE
4	PLUG	ASTM A193 B7M	ASTM A193 B8M	ASTM A193 L7M
5	BODY	ASTM A216 WCB	ASTM A351 CF8M	ASTM A352 LCC
6	DISC	ASTM A216 WCB	ASTM A351 CF8M	ASTM A352 LCC
7	LIFTING RING	ASTM A29 1035	ASTM A29 1035	ASTM A29 1035

CLASS 150								
SIZE	inches	2"	3"	4"	6"	8"	10"	12"
	mm	50	80	100	150	200	250	300
L WAFER	mm	60	73	73	98	127	146	181
D	mm	105	137	175	222	279	340	410
D1	mm	52	78	102	154	202	254	305
D2	mm	39	52	97	121	164	194	241

CLASS 150					
SIZE	inches	2"	3"	4"	6"
	mm	50	80	100	150
L WAFER	mm	60	73	73	98
D	mm	-	149	181	251
D1	mm	-	78	102	154
D2	mm	-	52	77	121

NOTE: The data provided in this document is subject to change without notice, Please contact SVI for current drawing when order.