

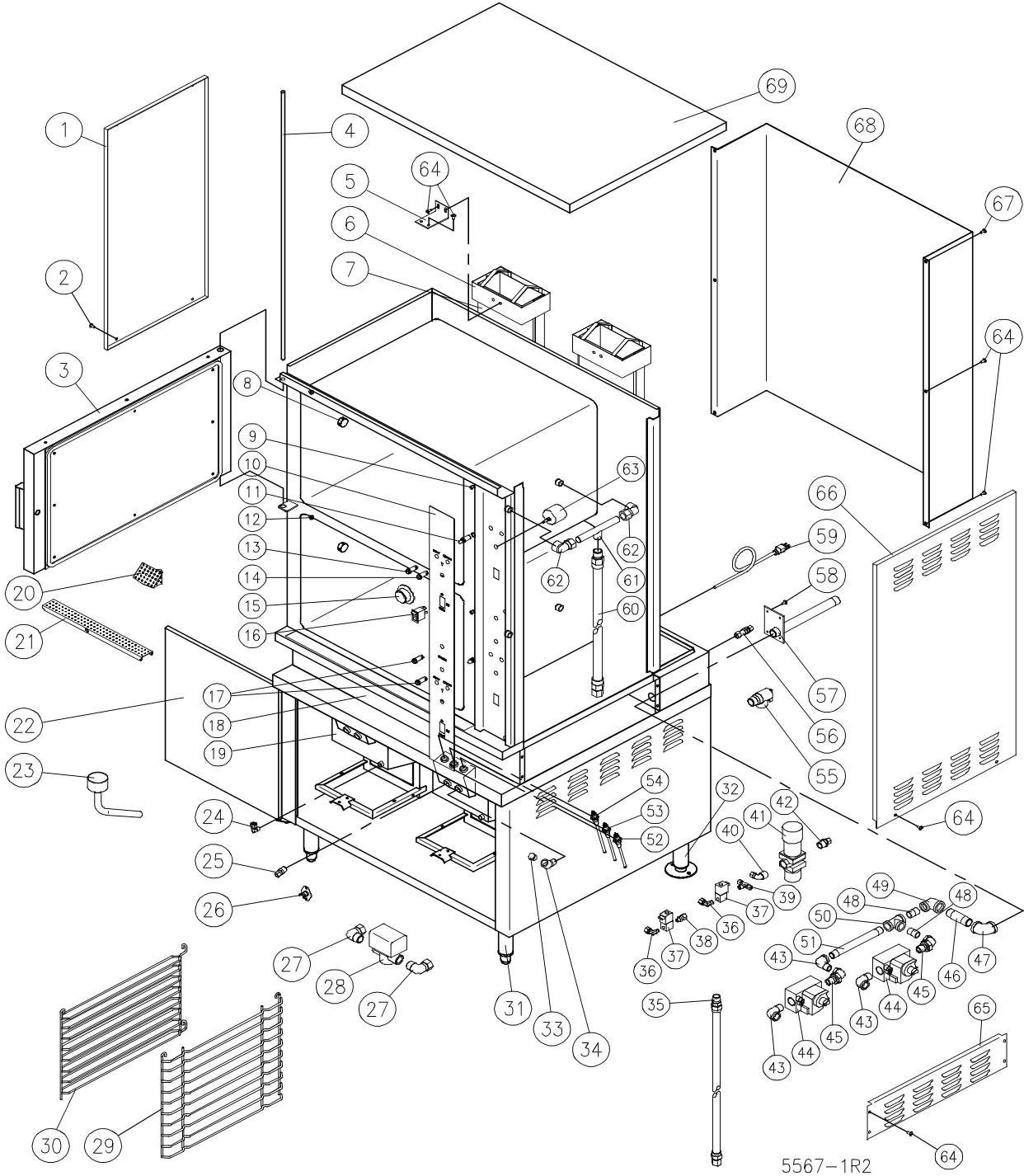
PARTS LIST
PRESSURELESS COOKER
MODEL: GSX-16HE



WWW.SOLARISSTEAM.COM

PARTS LIST, PRESSURELESS COOKER, MODEL GSX-16HE

FIGURE 1



PARTS LIST, PRESSURELESS COOKER, MODEL GSX-16HE

FIGURE 1

<u>ITEM</u>	<u>PART NO.</u>	<u>DESCRIPTION</u>	<u>QUANTITY</u>	
1	7159-2	Left Hand Side Panel	1	
2	1-34S8	Screw, 10 - 32 x 1", Stainless Steel	14	
3	4251-1	Door Assembly	2	
4	4247-1	Hinge Rod	1	
5	5116-1	Flue Support	2	
6	6714-1	Flue Top	2	
7	1344-3	Flue	2	
8	5281-1	Steam Diverters	8	
9	9-3336	Door Actuator Pin Complete With Clip	2	
	9-3213	Door Switch	2	
10	7264-1	Decal, Control Panel	1	
11	8-5021	Striker (3498)	2	
	8-5022	Washer Stainless Steel	2	
	1-90S0	Lock Washer	2	
	1-99S0	Nut	2	
12	4721-1	Rack Hanger Assembly	8	
13	4-PL04	Pilot Light - Green	2	
14	4-PL07	Pilot Light - Red	2	
**	15	4104-1	Dial, 60 minutes, 60 Hz	2
		4103-1	Dial, 60 minutes, 50 Hz	2
16	9124-2	Switch, 120V	2	
17	4-PL04	Pilot Light, Green	2	
18	2833-1	Front Riser	1	
19	0672-2	Generator Tank	2	

PARTS LIST, PRESSURELESS COOKER, MODEL GSX-16HE

<u>ITEM</u>	<u>PART NO.</u>	<u>DESCRIPTION</u>	<u>QUANTITY</u>	
	20	5524-1	Compartment Strainer	2
	21	8-5023-6	Perforated Trough	1
**	22	8-1303	Cabinet Door Assembly, Right Hand	1
		8-1304	Cabinet Door Assembly, Left Hand	1
	23	5288-1	Delime Funnel	1
	24	3-696A	Elbow, 3/8" C x 1/8" MPT	2
	25	2-686C	Thermostat Fitting	2
	26	4874-3	High Limit Sensor	2
	27	3-6912E	Elbow - Blowdown, 3/4" C x 3/4" MPT	4
	28	3-S543	Blowdown Valve, 3/4" FPT	2
	29	2681-2	Pan Rack	4
	30	2667-1	Centre Pan Support	2
	31	5380-1	Bullet Leg Assembly, 6"	2
	32	5379-1	Flanged Leg Assembly, 6"	2
	33	3-121C	Brass Plug, 3/8" MPT	2
	34	3-124C	45° Brass Street Elbow 3/8" MPT	2
	35	9026-24	Gas Flex Tube, 1/2" x 24" (Left Hand)	1
		9026-18	Gas Flex Tube, 1/2" x 18" (Right Hand)	1
	36	3-696A	Elbow, 3/8 c x 1/8 MPT	2
	37	5162-1	Fill Solenoid	2
	38	3-686A	Connector, 3/8" C x 1/8" MPT	1
	39	3-726A	Tee, 3/8 C x 1/8 MPT	1
	40	3-696D	Elbow, 3/8" C x 1/2" MPT	1
	41	5444-1	Thermostatic Cooling Valve	1
*	41	5376-1	Cooling Valve Bracket	1
	42	3-686D	Connector, 3/8 C x 1/2 MPT	1

PARTS LIST, PRESSURELESS COOKER, MODEL GSX-16HE

<u>ITEM</u>	<u>PART NO.</u>	<u>DESCRIPTION</u>	<u>QUANTITY</u>	
	43	9012-3	Street Elbow, 1/2"	3
**	44	5188-1	Combination Control, Natural Gas	2
		5188-2	Combination Control, LP	2
	45	3-U4BE	Union Elbow, 1/2"	2
	46	9010-030	Pipe, 3/4" x 3"	1
	47	9012-4	Street Elbow, 3/4"	1
	48	9009-000	Close Nipple, 1/2"	2
	49	9014-1	Reducing Elbow, 1/2" x 3/4"	1
	50	9013-3	Tee, 1/2"	1
	51	9009-076	Nipple, 1/2" x 7-3/4"	1
	52	3738-12	Probe, 3 Inches	2
	53	3738-11	Probe, 2-1/2 Inches	2
	54	3738-10	Probe, 2 Inches	2
	55	5286-1	Relief Valve, 5 PSI	2
	56	3-776	Bulk Head, 3/8"C, Water Fill	2
	57	5232-1	Gas Supply Pipe, 3/4" x 9 - 13/16"	1
	58	1-33C4	Screw, 10 - 32 x 1/2" Plated	4
	59	4127-3	Cord Set, 120V	1
**	60	9083-36	Bottom, Flex Steam Tube, 36"	2
		9083-48	Top, Flex Steam Tube, 48"	2
	61	5282-1	Steam Manifold	4
	62	3-7012E	Elbow, 3/4" C x 3/4" FPT	8
**	63	4-T210	Timer, 60 Minutes	2
	64	1-34S4	Screw, 10 - 32 x 1/2" Stainless Steel	28
	65	2835-1	Side Riser Panel	2
	66	8-5102-6	Right Hand Side Panel	1

PARTS LIST, PRESSURELESS COOKER, MODEL GSX-16HE

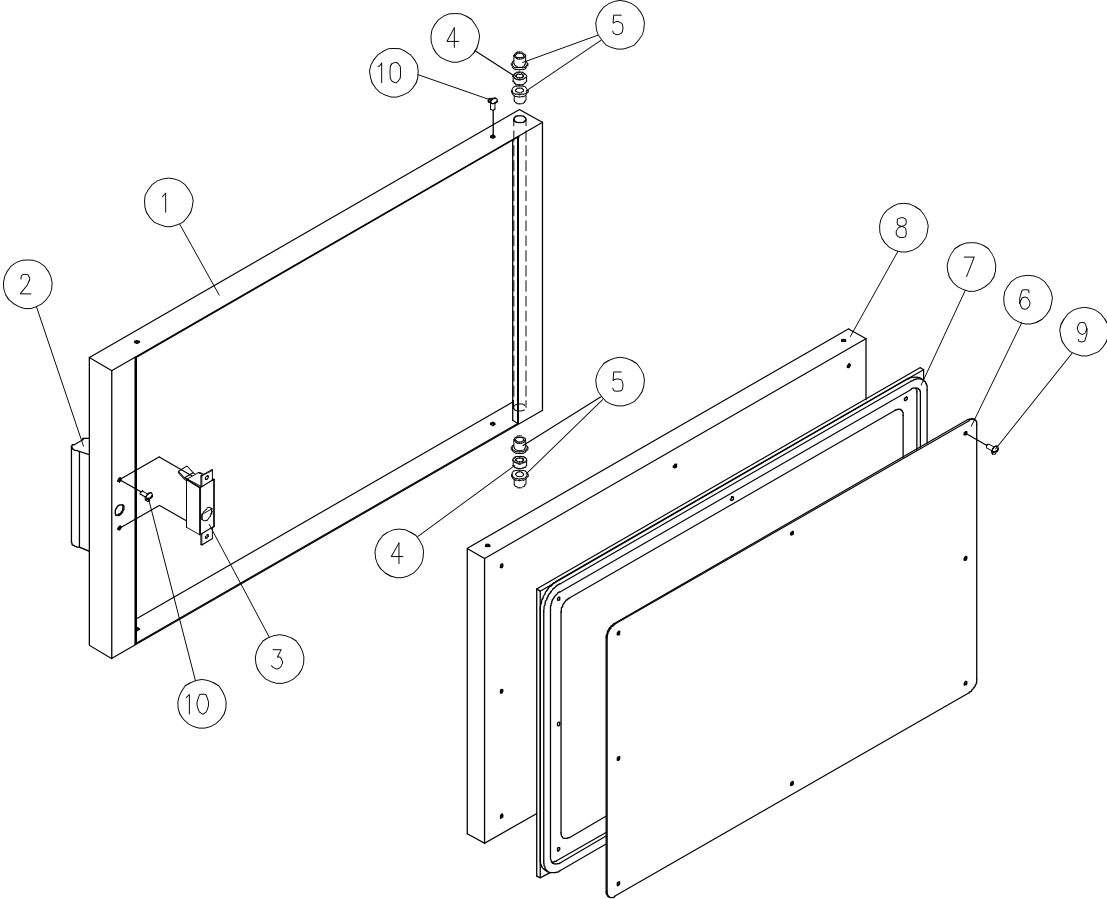
<u>ITEM</u>	<u>PART NO.</u>	<u>DESCRIPTION</u>	<u>QUANTITY</u>	
67	1-53S4	Screw, 1/4 - 20 x 1/2" Stainless Steel	2	
68	3933-1	Flue Cover	1	
69	8-5108	Top Panel	1	
*	70	7156-1	Drain Box Assembly	1
*		3-6812E	Connector - Drain, 3/4C" x 3/4" MPT	4
		3-U6BE	Union Elbow, 3/4" - Drain	2
		3-686D	Connector, 3/8" C x 1/2" MPT	1
*	71	5299-2	High Limit Sensor Cover	1
* **	72	5381-1	Swivel 5" Caster Complete With Brake, Optional	2
* **	73	5382-1	Swivel 5" Caster, Optional	2
*	74	3-TS01	Thermal Switch (Inside Compartment)	2

* NOT SHOWN.

** SELECT AS REQUIRED.

PARTS LIST, PRESSURELESS COOKER, MODEL GSX-16HE

FIGURE 2



PARTS LIST, PRESSURELESS COOKER, MODEL GSX-16HE

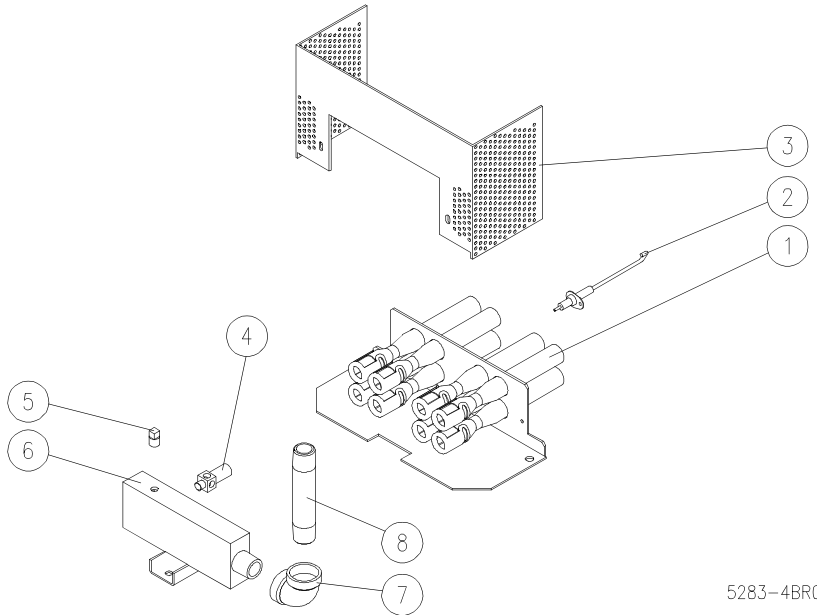
FIGURE 2

<u>ITEM</u>	<u>PART NO.</u>	<u>DESCRIPTION</u>	<u>QUANTITY</u>
1	3103-1	Door Frame	1
2	3903-2	Door Handle Assembly	1
*	3646-1	Decal	1
3	8-5068-9	Latch Assembly (3900)	1
4	4249-1	Spacer - Top Door, Stainless Steel	2
	4250-1	Spacer, Lower Door, Stainless Steel	2
5	4248-1	Door Bushing	4
6	8-5065-6	Gasket Plate Retainer	1
7	8-5063-6	Gasket	1
8	8-5060-6	Door Panel	1
9	9-1011-1	Screw 10 - 32 x 1/2"	12
10	1-34S4	Screw 10 - 32 x 1/2"	6

* NOT SHOWN.

PARTS LIST, PRESSURELESS COOKER, MODEL GSX-16HE

FIGURE 3



5283-4BR0

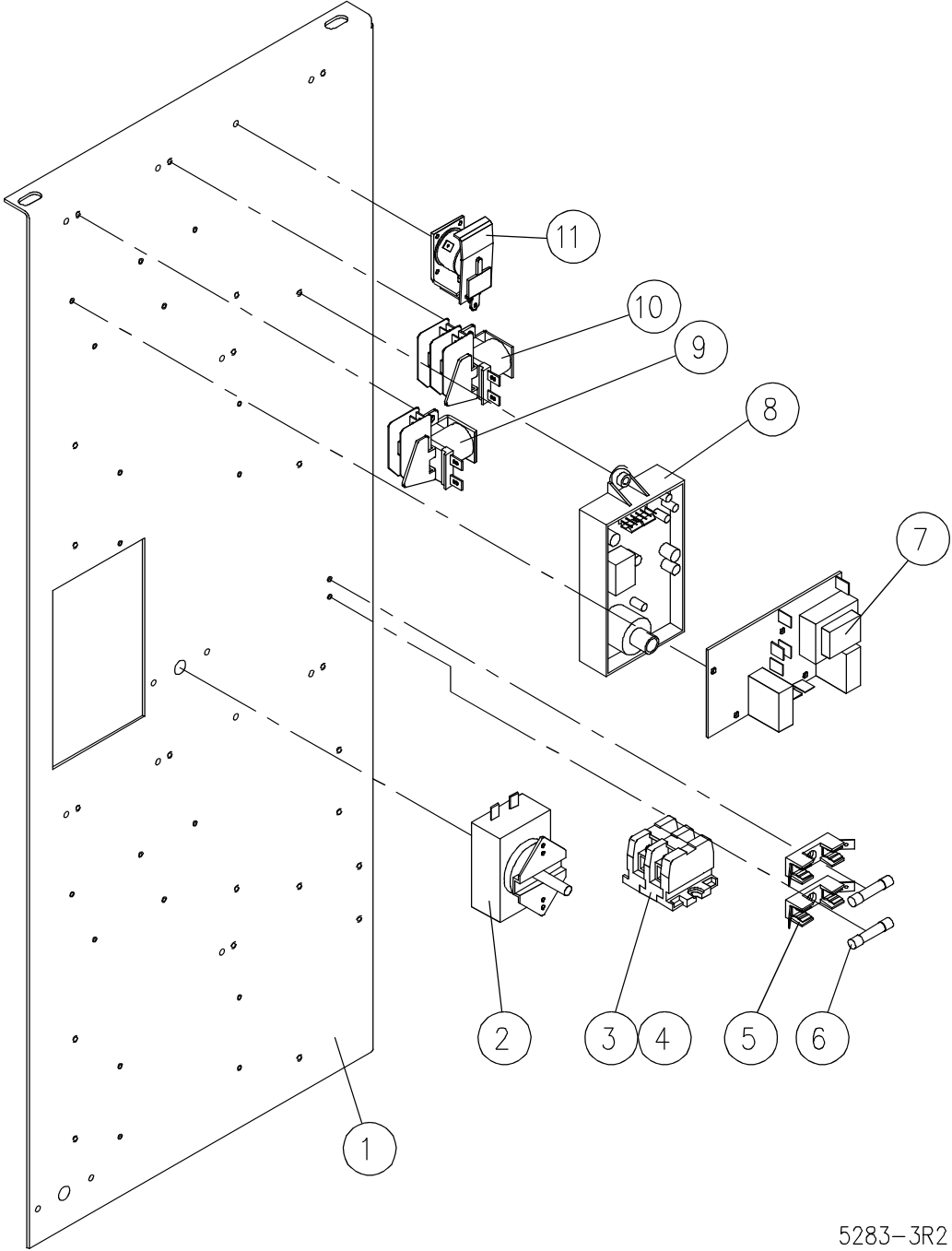
BURNER PARTS

<u>ITEM</u>	<u>PART NO.</u>	<u>DESCRIPTION</u>	<u>QUANTITY</u>
1	7283-1	Burner Assembly including Bracket	2
2	5595-1	Spark Electrode	2
3	5593-1	Burner Shield	2
**	4	4951-61 Jet Orifice, Propane, #61	16
		4951-52 Jet Orifice, Natural Gas, #52	16
5	3-109C	Square Head Pipe Plug 1/8" MPT	2
6	7280-1	Manifold Assembly	2
7	9011-3	Elbow, 1/2" - 90°	2
8	9009-050	Nipple, 1/2" x 5"	2

** SELECT AS REQUIRED.

PARTS LIST, PRESSURELESS COOKER, MODEL GSX-16HE

FIGURE 4



5283-3R2

PARTS LIST, PRESSURELESS COOKER, MODEL GSX-16HE

FIGURE 4

<u>ITEM</u>	<u>PART NO.</u>	<u>DESCRIPTION</u>	<u>QUANTITY</u>
1	7289-1	Component Mounting Board	1
2	9126-1	Operating Thermostat	2
3	4-22TB	Terminal Block	2
4	4-22ES	End Section	1
**	5	9068-1 Fuse Holder, 120V Supply	2
		9068-1 Fuse Holder, 208V - 240V Supply	4
**	6	9092-2 Fuse, 2 Amp., 120V Supply	2
		9092-1 Fuse, 1 Amp., 208V - 240V Supply	4
**	7	4038-4 Level Control Board, 10K OHM	2
*		5230-1 Level Control Board, 1 M OHM, Optional	4
	8	5373-1 Ignition Module	2
	9	9-3174-1 Relay, 120V, Double Pole	2
	10	9-3175-1 Relay, 120V, Single Pole	4
	11	3821-1 Buzzer	2
* **	12	4-T265 Transformer, 208V - 240V/120V	2

* NOT SHOWN.

** SELECT AS REQUIRED.